



US00D746518S

(12) **United States Design Patent**
John et al.

(10) **Patent No.:** **US D746,518 S**
(45) **Date of Patent:** **** Dec. 29, 2015**

- (54) **ATTACHMENT FOR HEADGEAR**
- (71) Applicant: **Aldrin Errol John**, Johannesburg (ZA)
- (72) Inventors: **Aldrin Errol John**, Johannesburg (ZA);
Johan Lodewikus Combrinck,
Centurion (ZA)
- (73) Assignee: **Aldrin Errol John**, Johannesburg (ZA)
- (**) Term: **14 Years**
- (21) Appl. No.: **29/488,991**
- (22) Filed: **Apr. 25, 2014**
- (30) **Foreign Application Priority Data**

- Oct. 30, 2013 (ZA) 2013/01974
- (51) **LOC (10) Cl.** **29-02**
- (52) **U.S. Cl.**
USPC **D29/122**
- (58) **Field of Classification Search**
USPC D29/102-111, 122; 2/9, 410-414,
2/416-425, 209.13, 906, DIG. 1, 8.1-8.2,
2/8.6, 8.7, 171.3, 427, 429, 10, 206, 173,
2/202, 457, 4; 62/3.5, 259.3; 128/204.15,
128/889, 201.24, 201.15, 857-858, 891;
D24/189, 191, 124; 602/74, 58; D5/58,
D5/47, 1; 604/358, 384, 385.01
CPC A42B 3/04; A42B 3/0406
See application file for complete search history.

(56) **References Cited**
U.S. PATENT DOCUMENTS

- D295,640 S * 5/1988 Breault D10/109.1
- 5,881,391 A * 3/1999 Mullaney 2/209.13
- D458,735 S * 6/2002 Cook et al. D2/869
- 7,234,411 B1 * 6/2007 Butler 116/173
- 7,264,368 B2 * 9/2007 Sherring 362/105
- 7,398,562 B2 * 7/2008 Mollo 2/425
- 8,209,782 B1 * 7/2012 Henry 2/422

- D676,492 S * 2/2013 Bengyak D20/33
- D678,618 S * 3/2013 Ratner et al. D29/107
- 8,434,164 B2 * 5/2013 Clark 2/161.1
- D684,729 S * 6/2013 Fine et al. D29/122
- D695,965 S * 12/2013 Ratner et al. D29/102

FOREIGN PATENT DOCUMENTS

ZA 95/7107 12/1996

* cited by examiner

Primary Examiner — Randall Gholson

(74) *Attorney, Agent, or Firm* — Haugen Law Firm PLLP

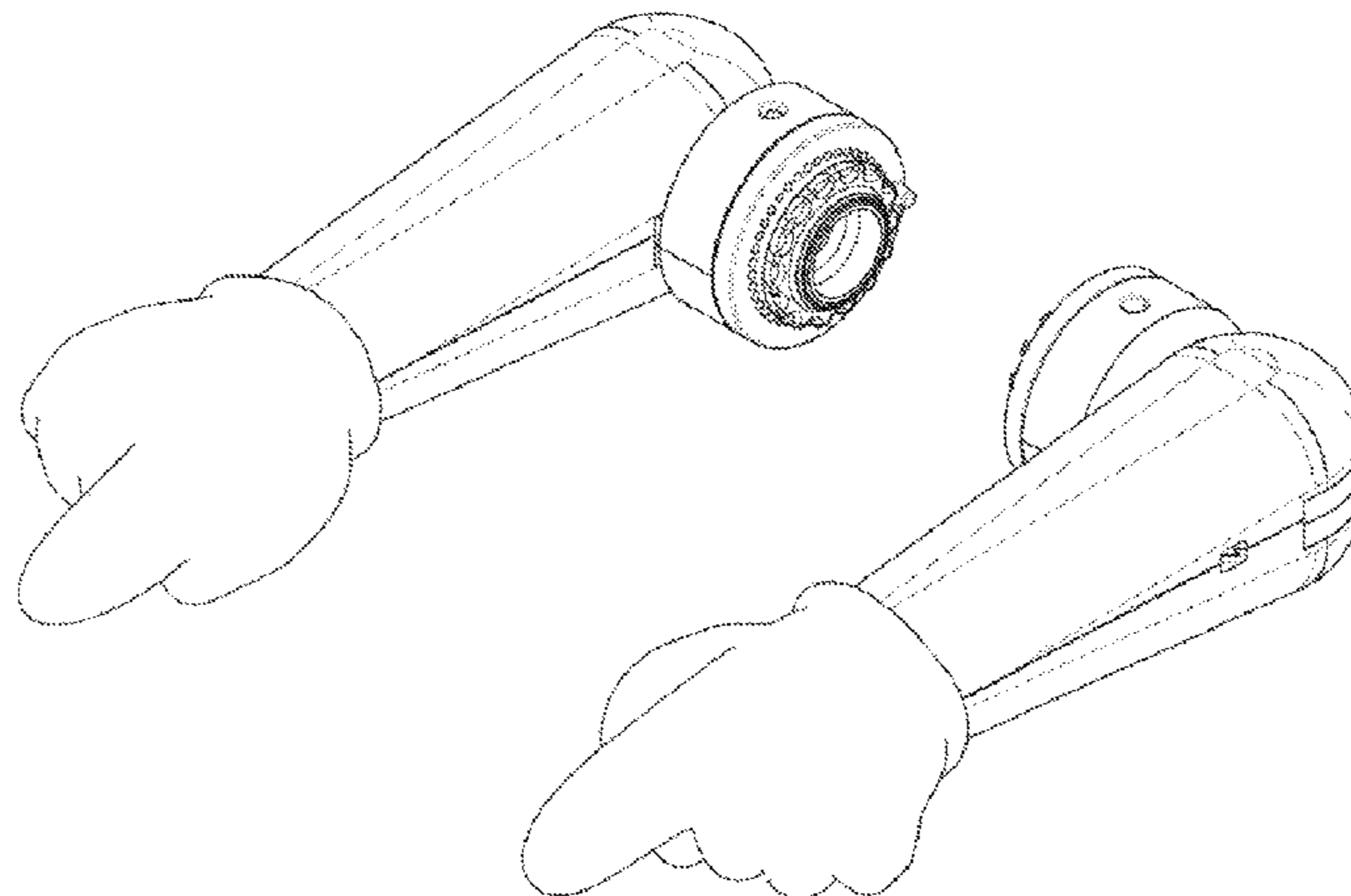
(57) **CLAIM**

The ornamental design for an attachment for headgear, as shown and described.

DESCRIPTION

FIG. 1 is a perspective view of the design;
 FIG. 2 is a front elevational view of the design;
 FIG. 3 is a rear elevational view of the design;
 FIG. 4 is a left side elevational view of the design, with the two arms of the design being illustrated in a vertically offset arrangement to simultaneously depict the two arms;
 FIG. 5 is a right side elevational view of the design, with the two arms of the design being illustrated in a vertically offset arrangement to simultaneously depict the two arms;
 FIG. 6 is a top plan view of the design;
 FIG. 7 is a bottom plan view of the design; and,
 FIG. 8 is a perspective view of the design in combination with environmental structure in the form of a helmet.
 The broken lines shown in FIG. 8 shows unclaimed environment and forms no part of the claimed design.
 The attachment for headgear as shown in the accompanying figures comprises a pair of arms that are movable between: (i) a resting position in which both arms are operatively substantially horizontal and directed slightly toward each other; (ii) a second position in which an arm pivots outward to signal a “4” in the game of cricket; and (iii) a third position in which both arms are pivoted vertically to signal a “6” in the game of cricket.

1 Claim, 6 Drawing Sheets



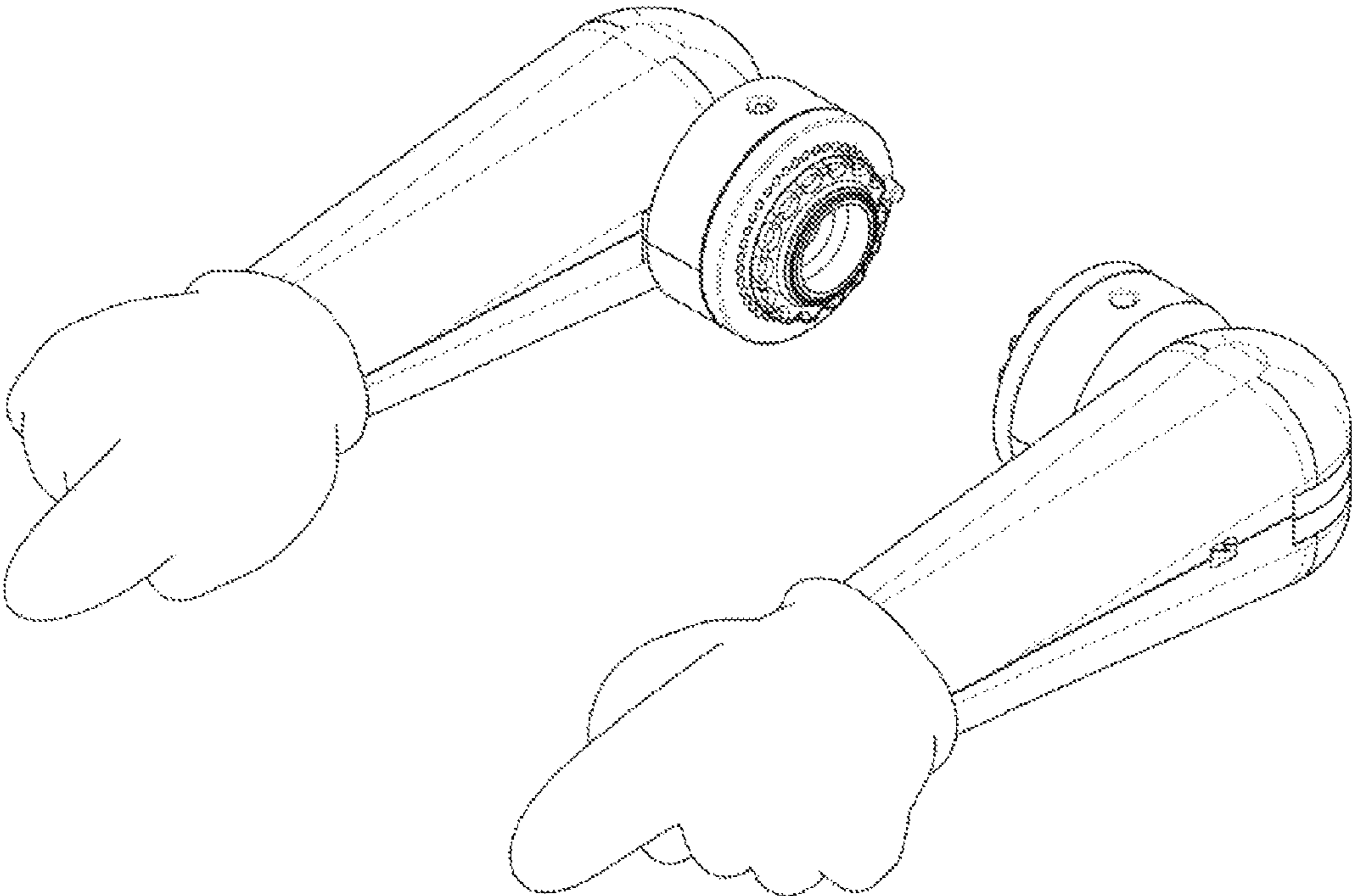


FIG. 1

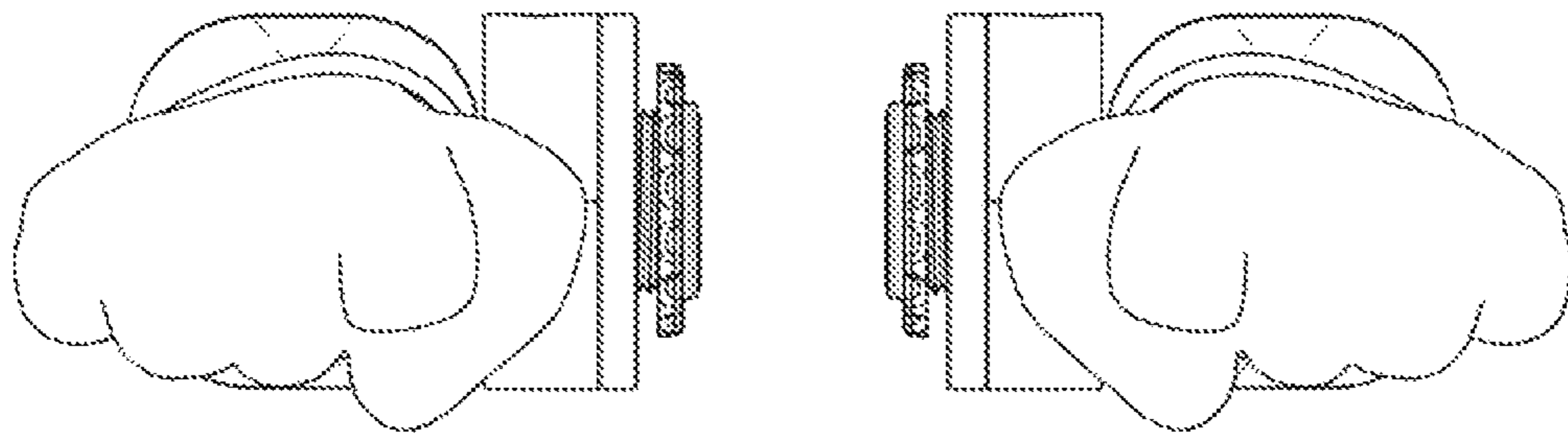


FIG. 2

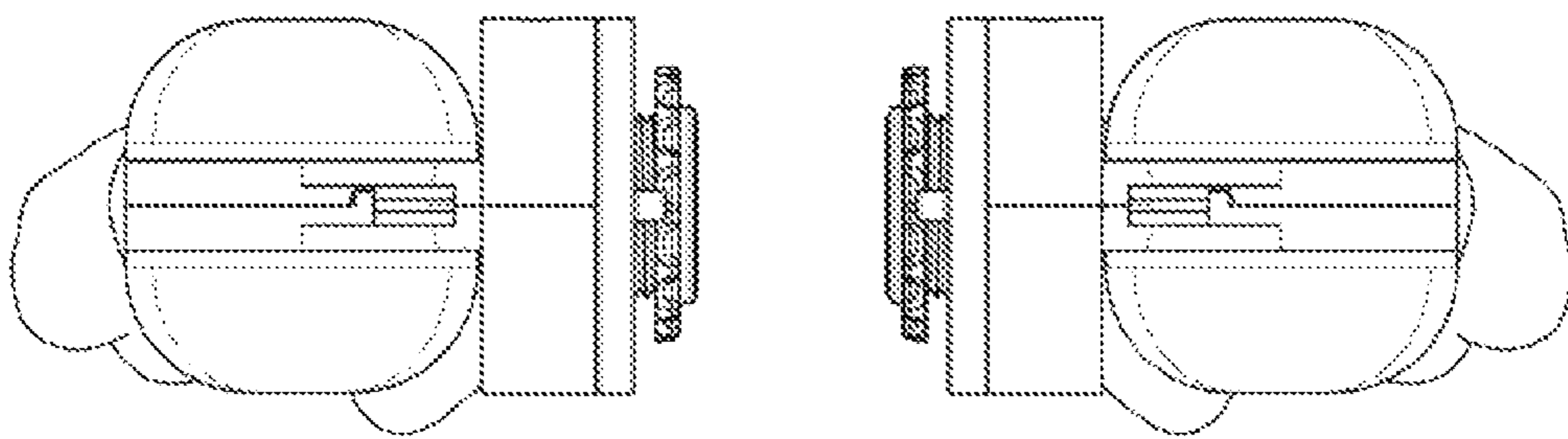


FIG. 3

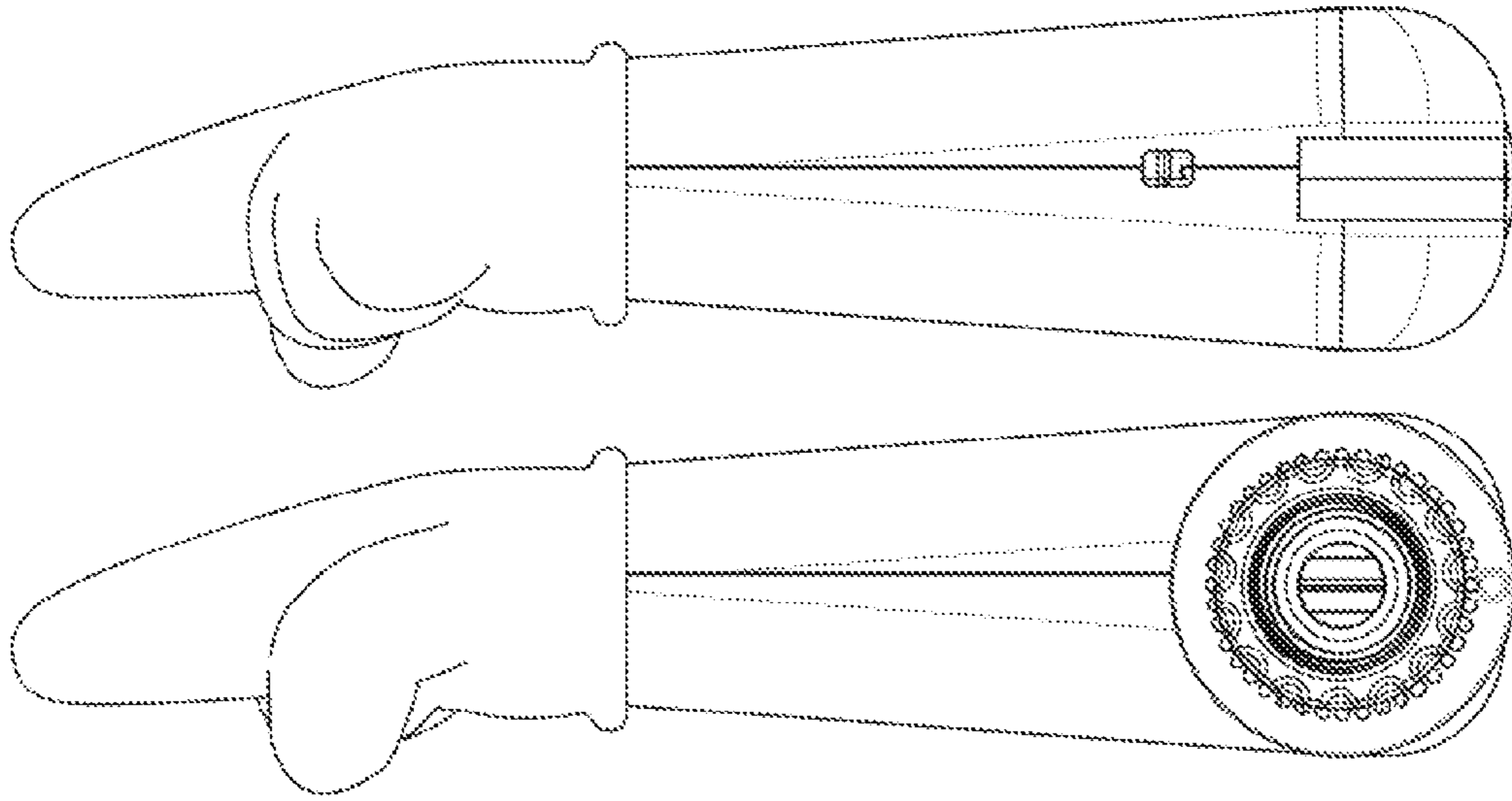


FIG. 4

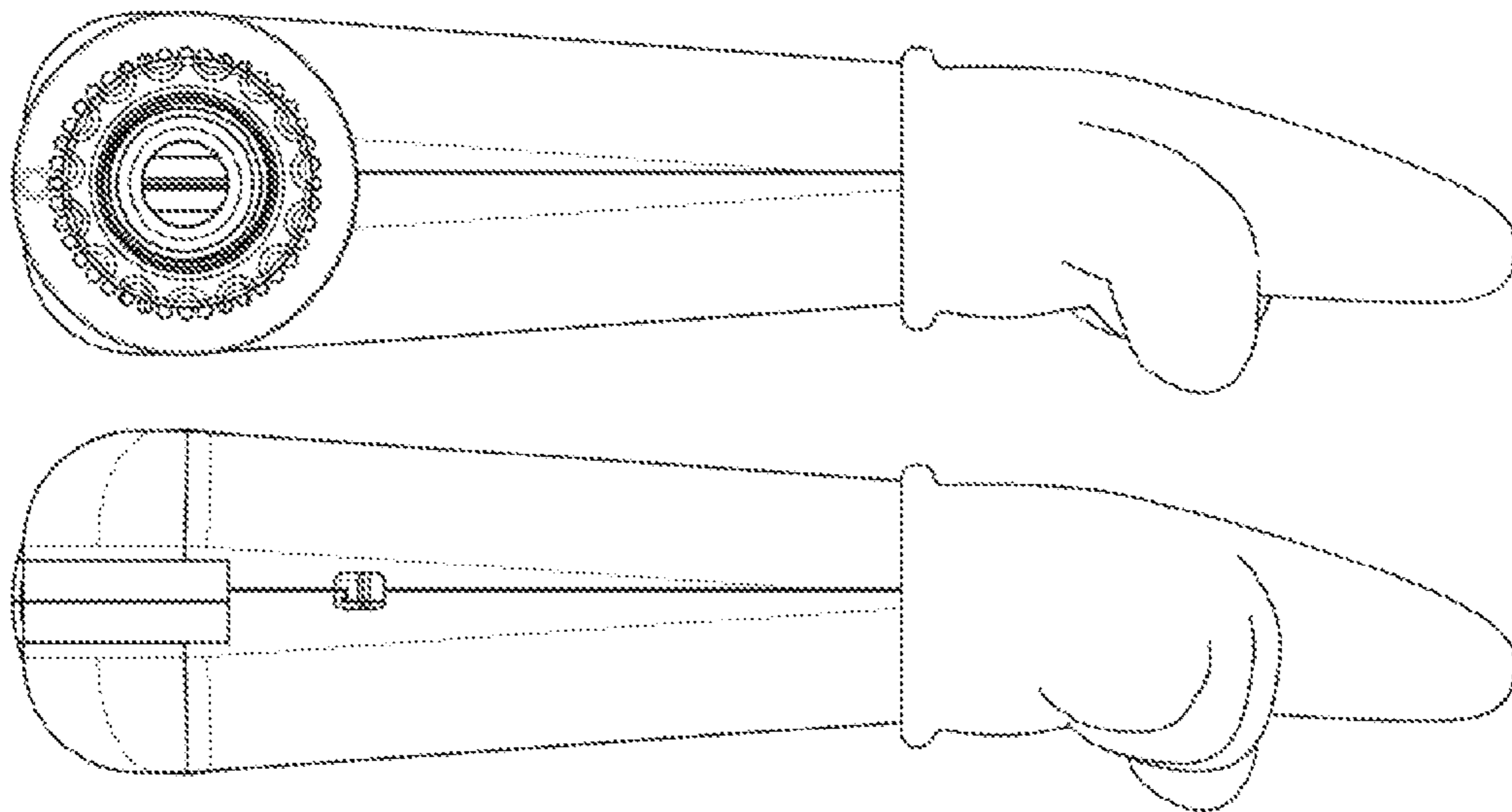


FIG. 5

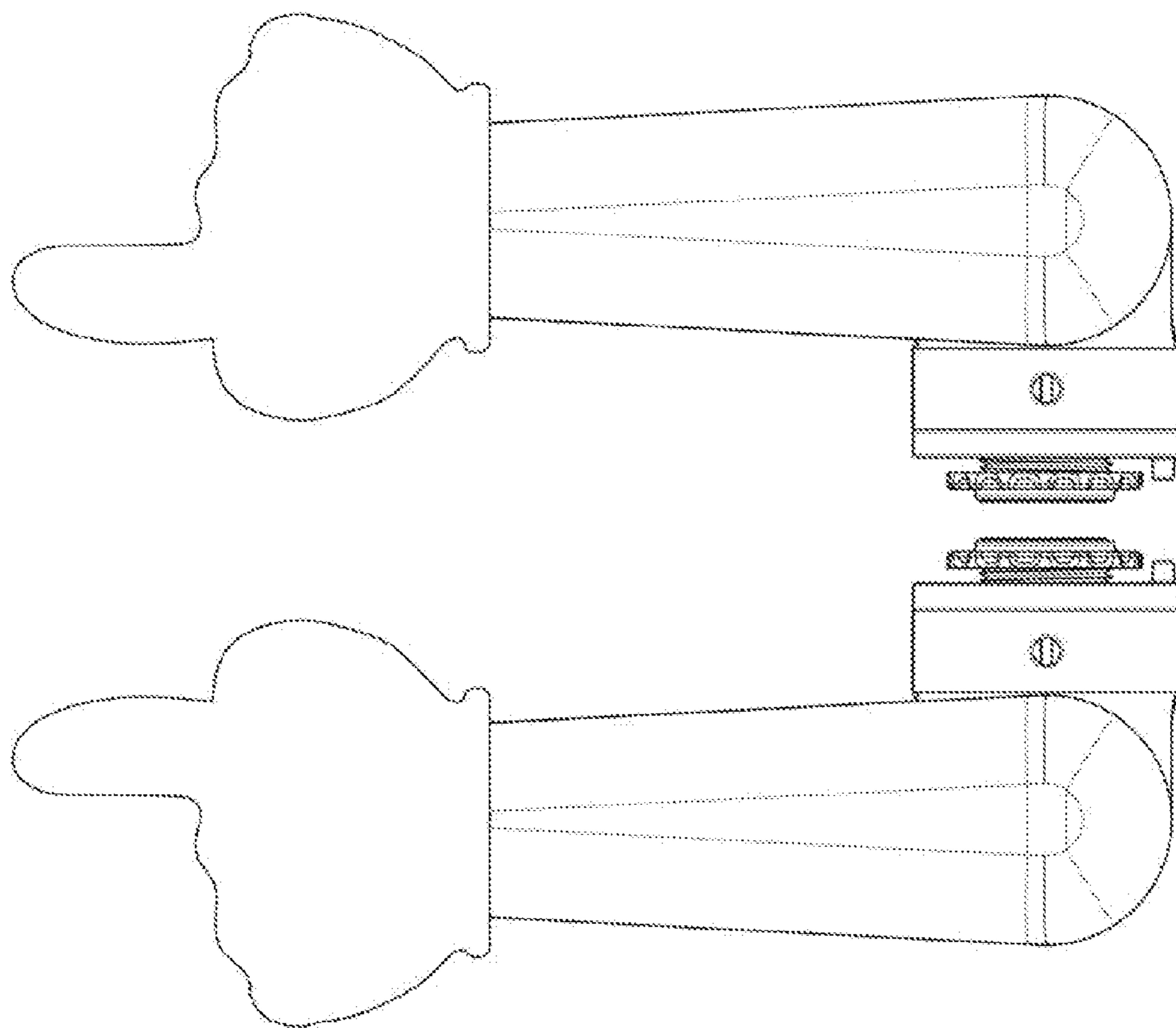


FIG. 6

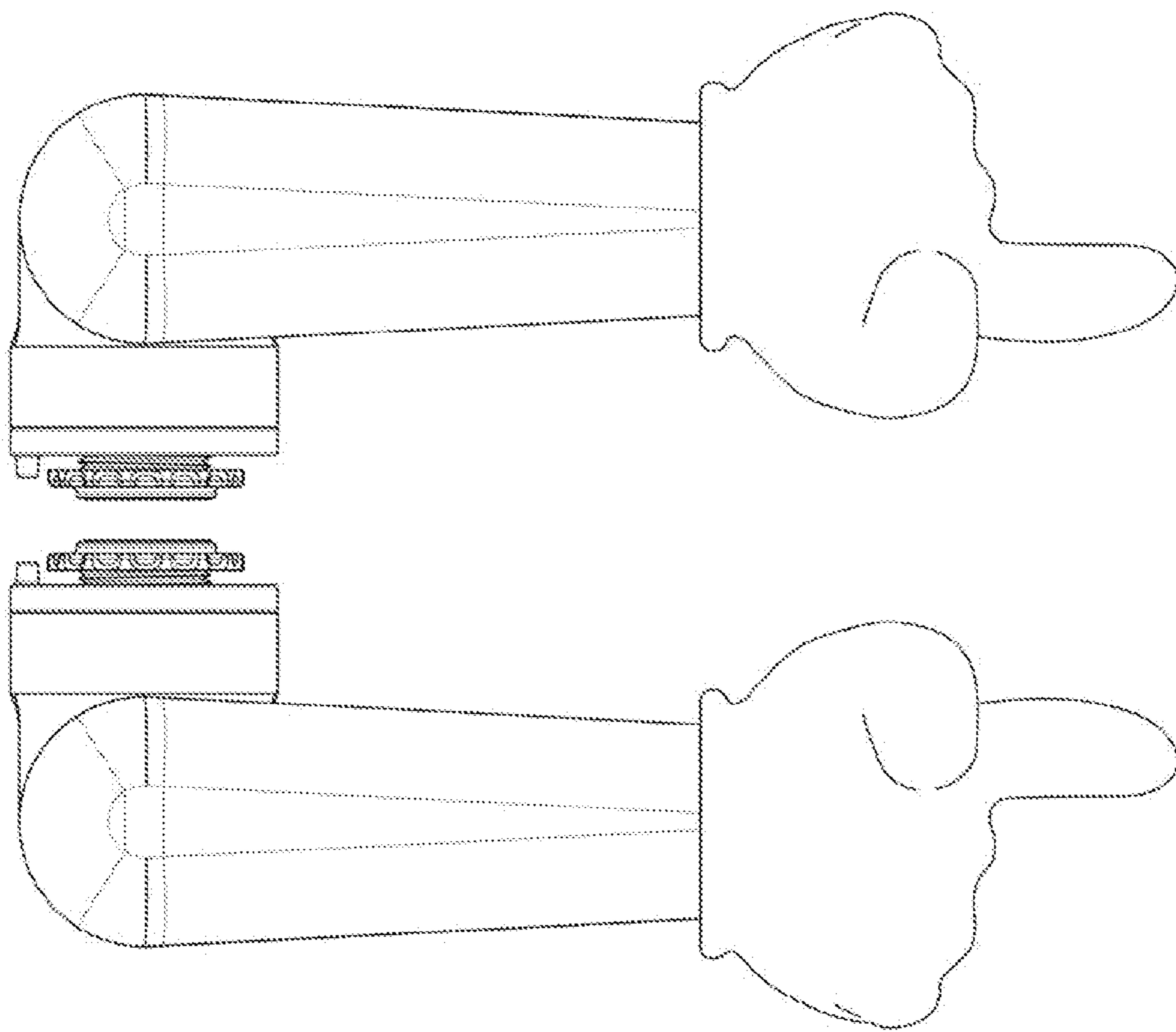


FIG. 7

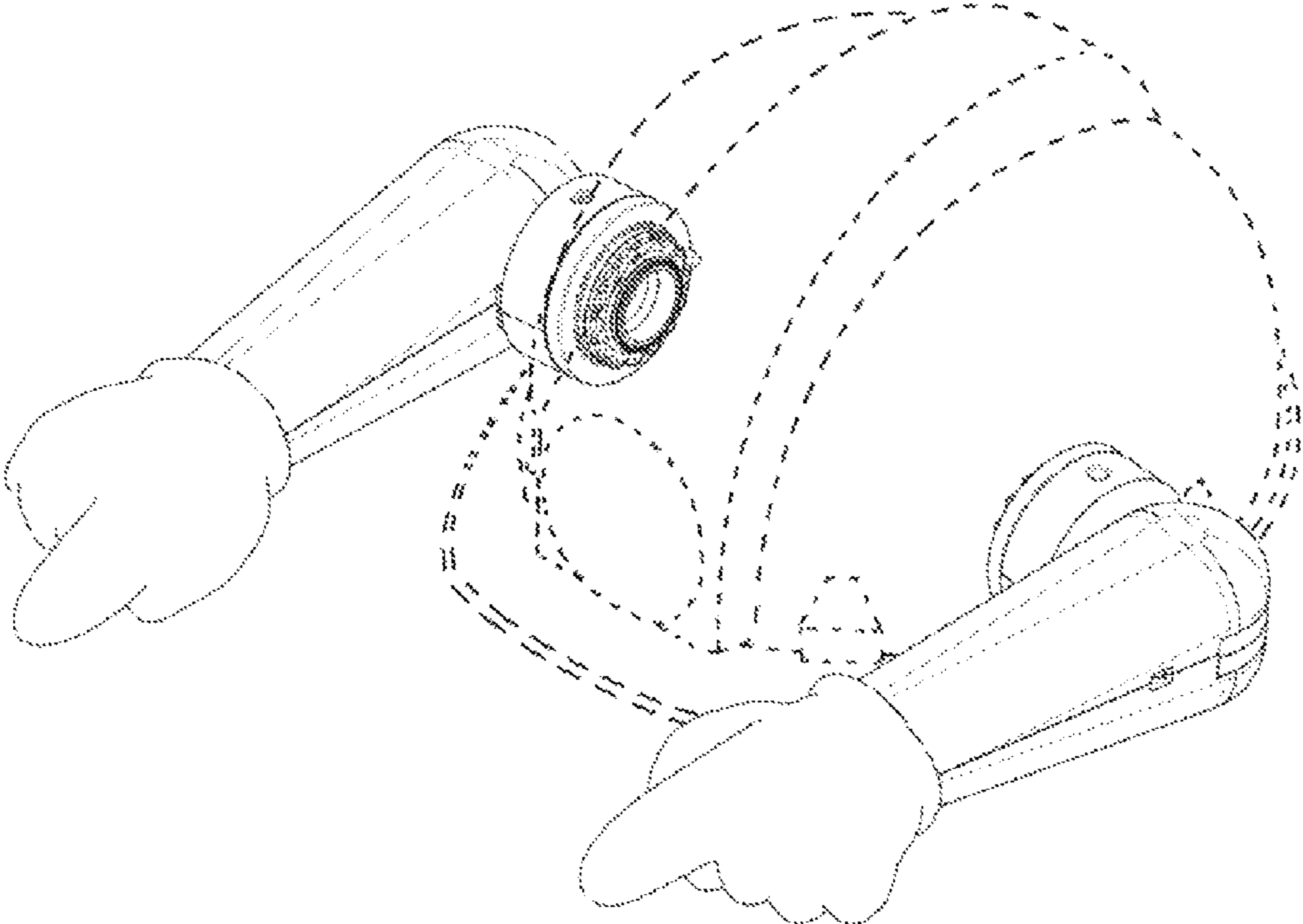


FIG. 8