



US00D746516S

(12) **United States Design Patent**
Cardello et al.

(10) **Patent No.:** **US D746,516 S**
(45) **Date of Patent:** **** Dec. 29, 2015**

- (54) **PROTECTIVE HEAD BAND**
- (71) Applicants: **William Cardello**, Massapequa, NY
(US); **Angelo Gentile**, Massapequa, NY
(US)
- (72) Inventors: **William Cardello**, Massapequa, NY
(US); **Angelo Gentile**, Massapequa, NY
(US)
- (**) Term: **14 Years**
- (21) Appl. No.: **29/509,499**
- (22) Filed: **Nov. 18, 2014**
- (51) **LOC (10) Cl.** **02-03**
- (52) **U.S. Cl.**
USPC **D29/102; D2/875**
- (58) **Field of Classification Search**
USPC D2/500, 865, 866, 868, 869, 871, 874,
D2/875, 894; D24/106, 128, 190; D28/41;
D29/102, 104, 108
CPC A41D 20/00; A41D 20/005; A41D 23/00;
A42B 3/00; A42C 5/02
See application file for complete search history.

- 6,625,820 B1 * 9/2003 Lampe A42B 3/00
2/171
- D501,554 S * 2/2005 Hansen D24/128
- D503,027 S * 3/2005 Strong D2/894
- D511,036 S * 11/2005 Moses D2/894
- 7,058,989 B2 * 6/2006 Domingos A42B 3/00
2/412
- D564,134 S * 3/2008 Brundage D29/102
- D636,153 S * 4/2011 Schrab D2/881
- 8,425,072 B2 * 4/2013 Hurwitz A41D 27/08
362/103
- 8,931,117 B2 * 1/2015 Terrell A41D 20/00
2/181
- D736,394 S * 8/2015 Owoc D2/894
- D737,002 S * 8/2015 Olson D29/108
- 2005/0061345 A1 * 3/2005 Srivastava A45D 8/36
132/200
- 2006/0278252 A1 * 12/2006 Miller A45D 8/34
132/274

* cited by examiner

Primary Examiner — Karen E. Eldridge Powers
Assistant Examiner — Jasmine Mlinarcik
(74) *Attorney, Agent, or Firm* — Tutunjian & Bitetto, P.C.

(57) **CLAIM**
The ornamental design for a protective head band, as shown and described.

(56) **References Cited**

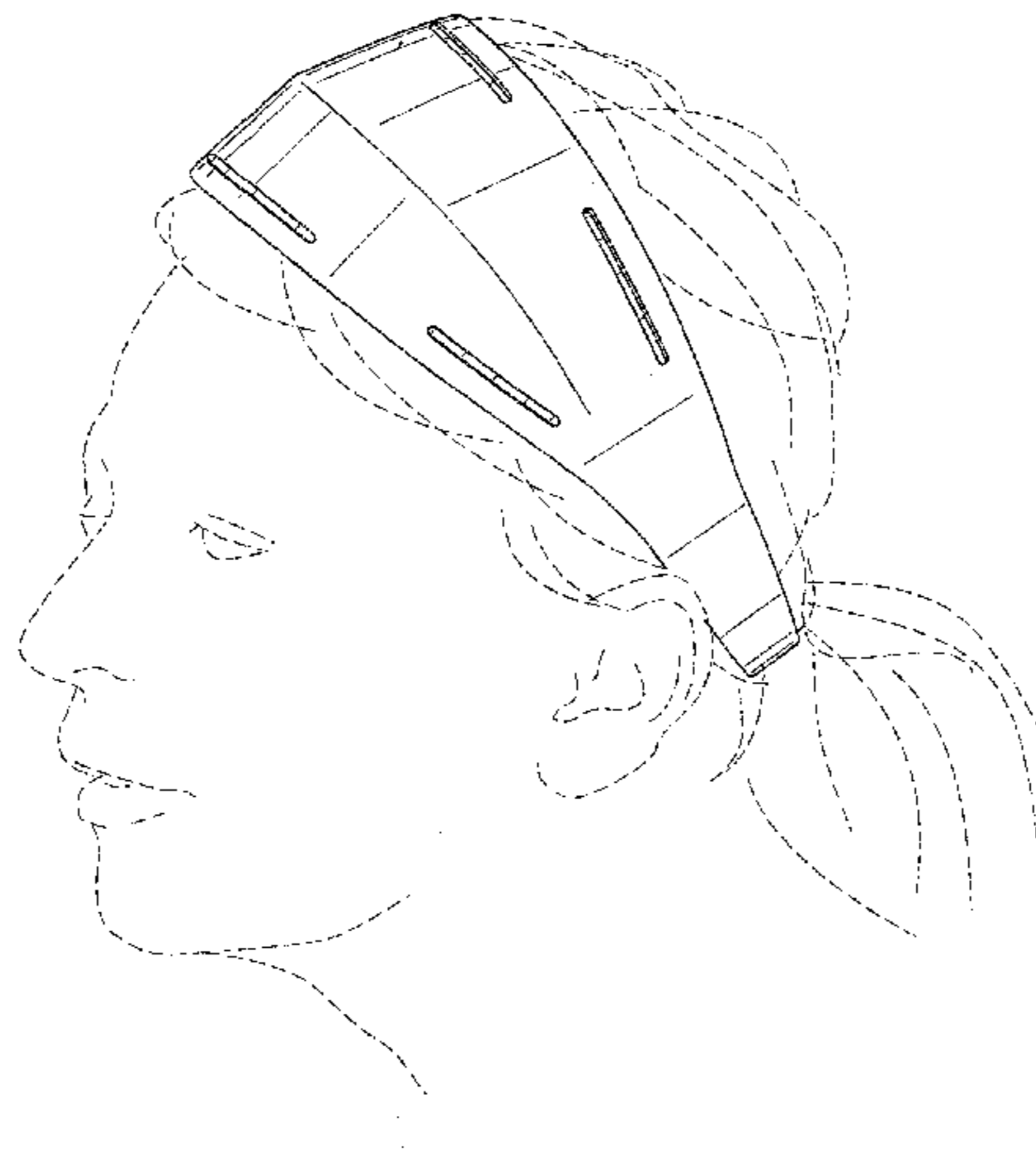
U.S. PATENT DOCUMENTS

- 4,742,581 A * 5/1988 Rosenthal A41D 20/005
2/170
- D316,774 S * 5/1991 Falk D2/875
- D317,525 S * 6/1991 Wiegel D14/223
- D339,677 S * 9/1993 Kang D2/875
- D351,052 S * 10/1994 Russell D2/894
- D361,127 S * 8/1995 Lonstedt D24/106
- D365,918 S * 1/1996 Izebu D2/875
- D385,661 S * 10/1997 Moorhouse D29/104
- 5,946,734 A * 9/1999 Vogan A42B 3/00
2/171
- 5,963,989 A * 10/1999 Robertson A41D 20/00
2/171
- 6,438,761 B1 * 8/2002 McGarrity A42B 3/00
2/171

DESCRIPTION

FIG. 1 is a perspective view of a protective head band showing our new design;
FIG. 2 is a front elevation view thereof;
FIG. 3 is a rear elevation view thereof;
FIG. 4 is a left side elevation view thereof;
FIG. 5 is a right side elevation view thereof;
FIG. 6 is a top plan view thereof; and,
FIG. 7 is a bottom plan view thereof.
The partial human figure depicted by broken lines represents environmental subject matter included to better illustrate how the design may appear when worn and forms no part of the claimed design.

1 Claim, 4 Drawing Sheets



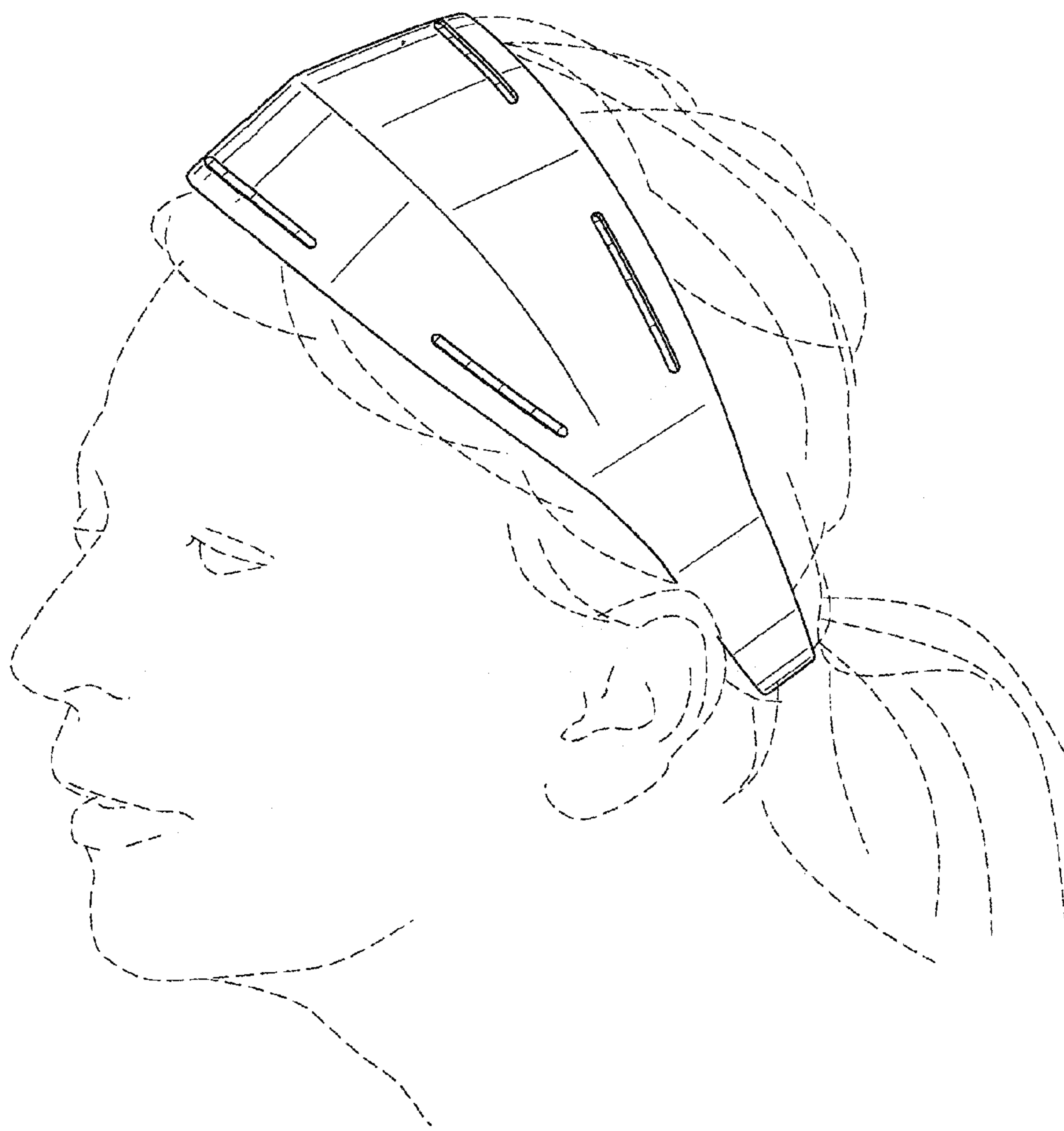


FIG. 1

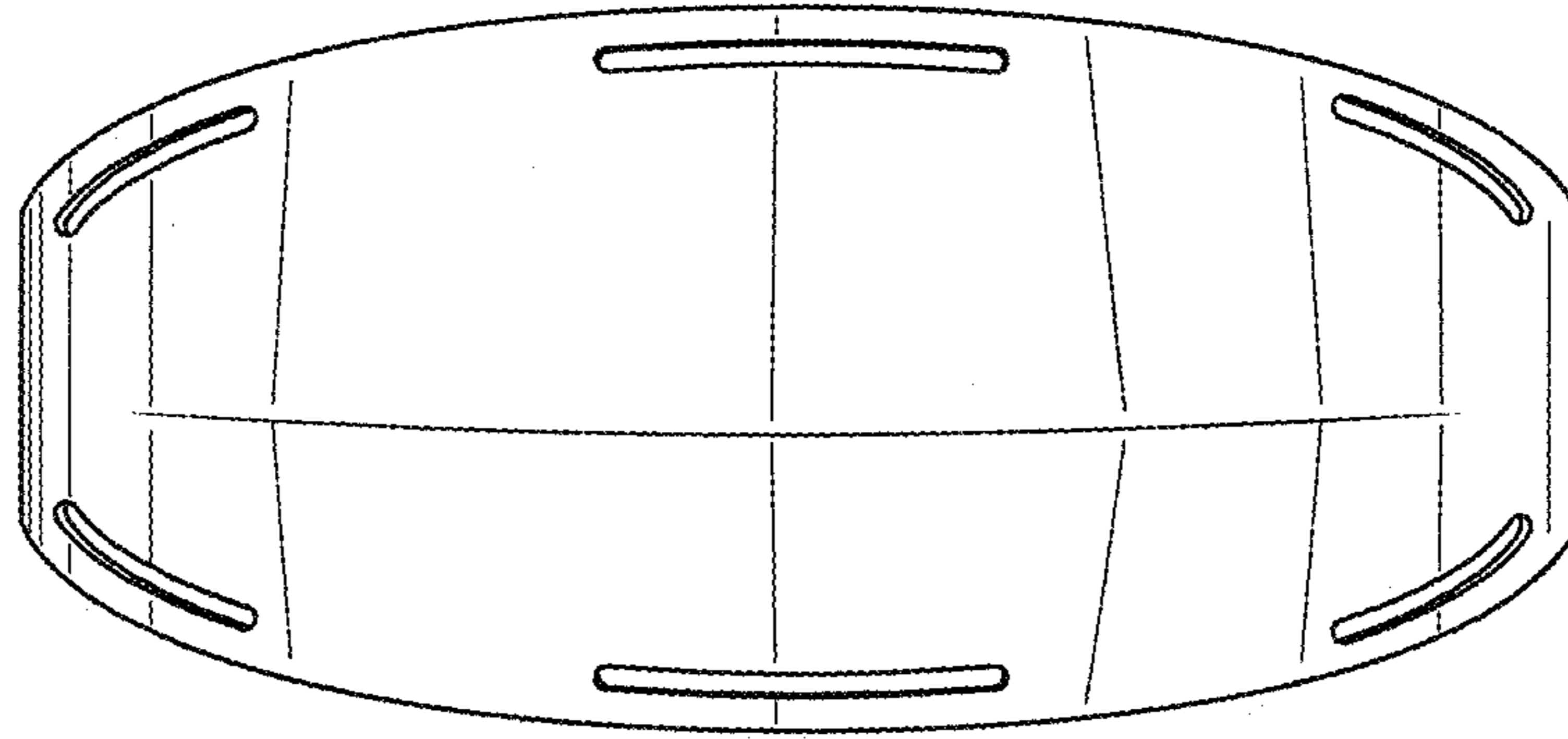


FIG. 2

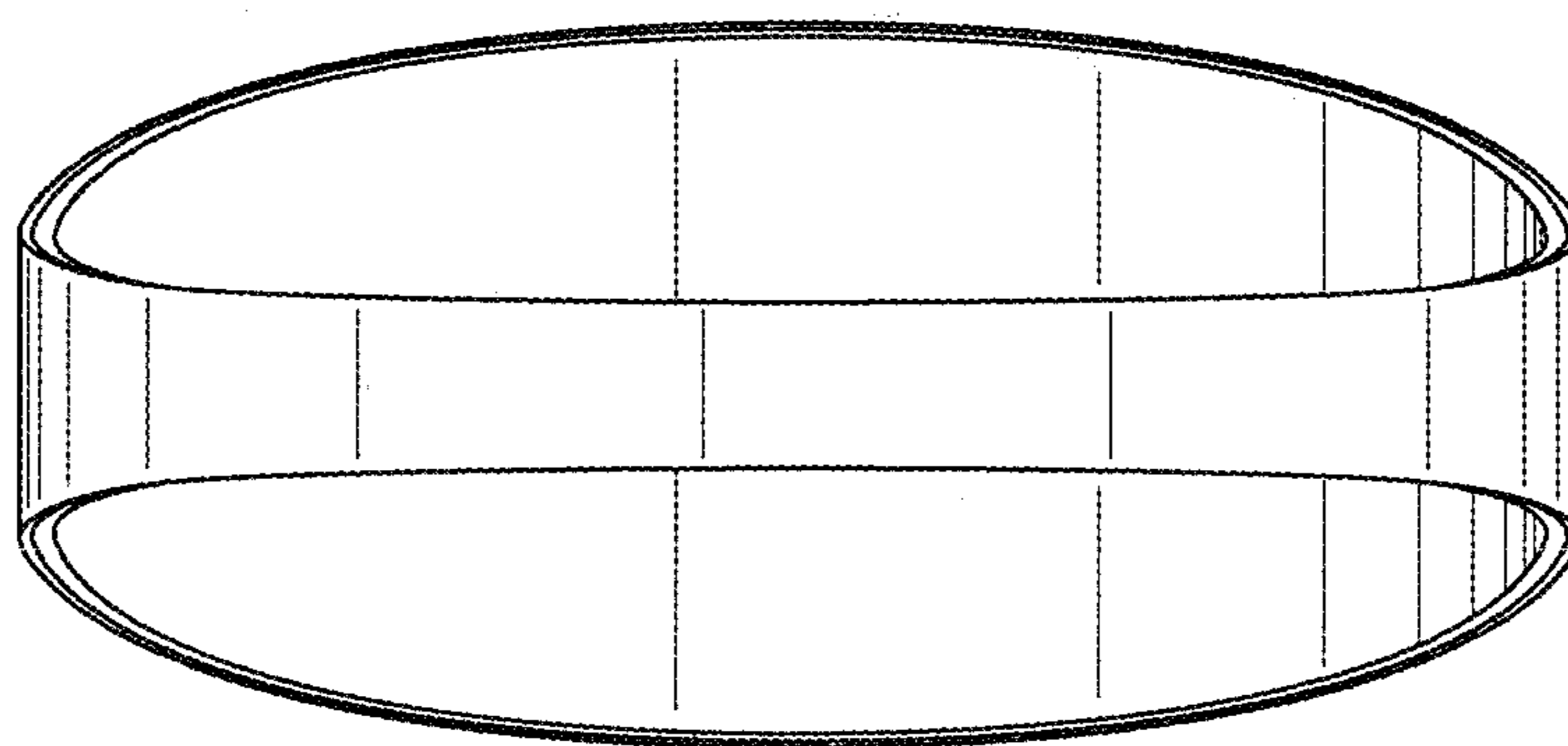


FIG. 3

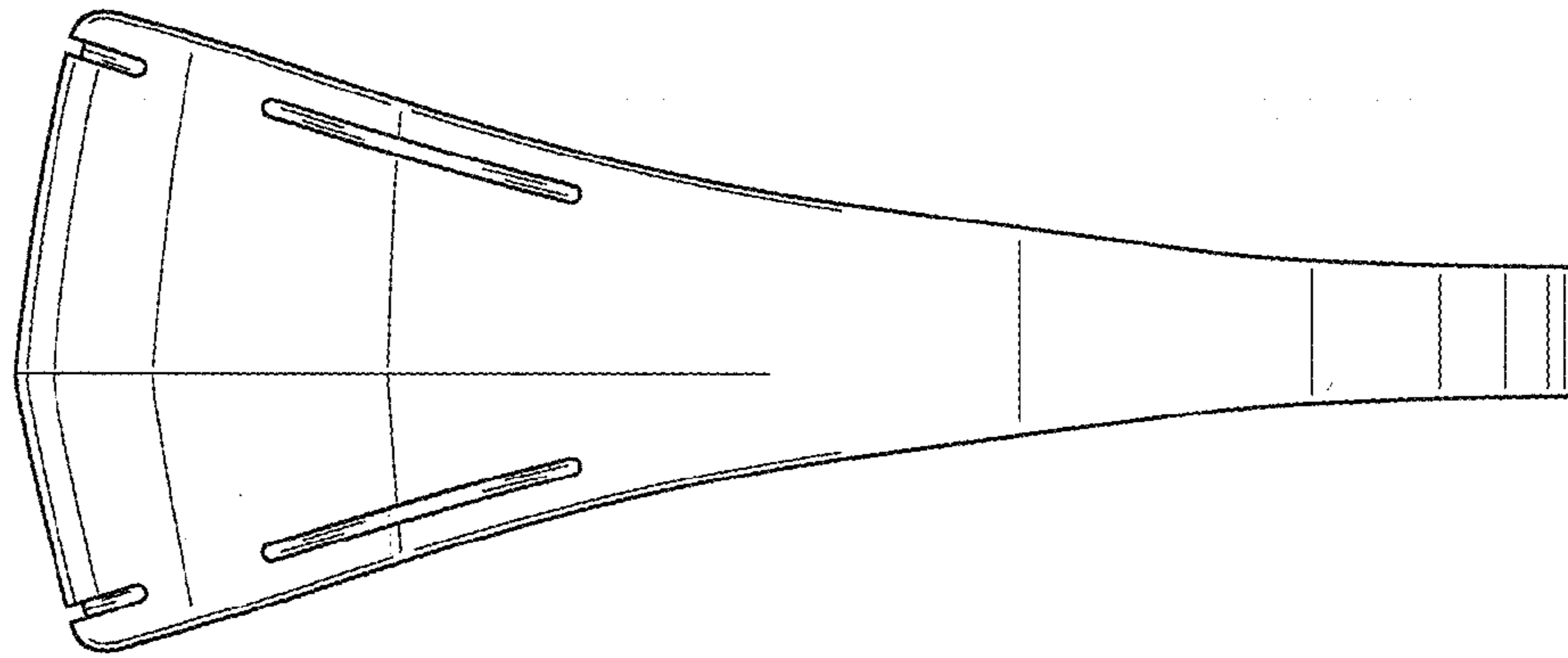


FIG. 4

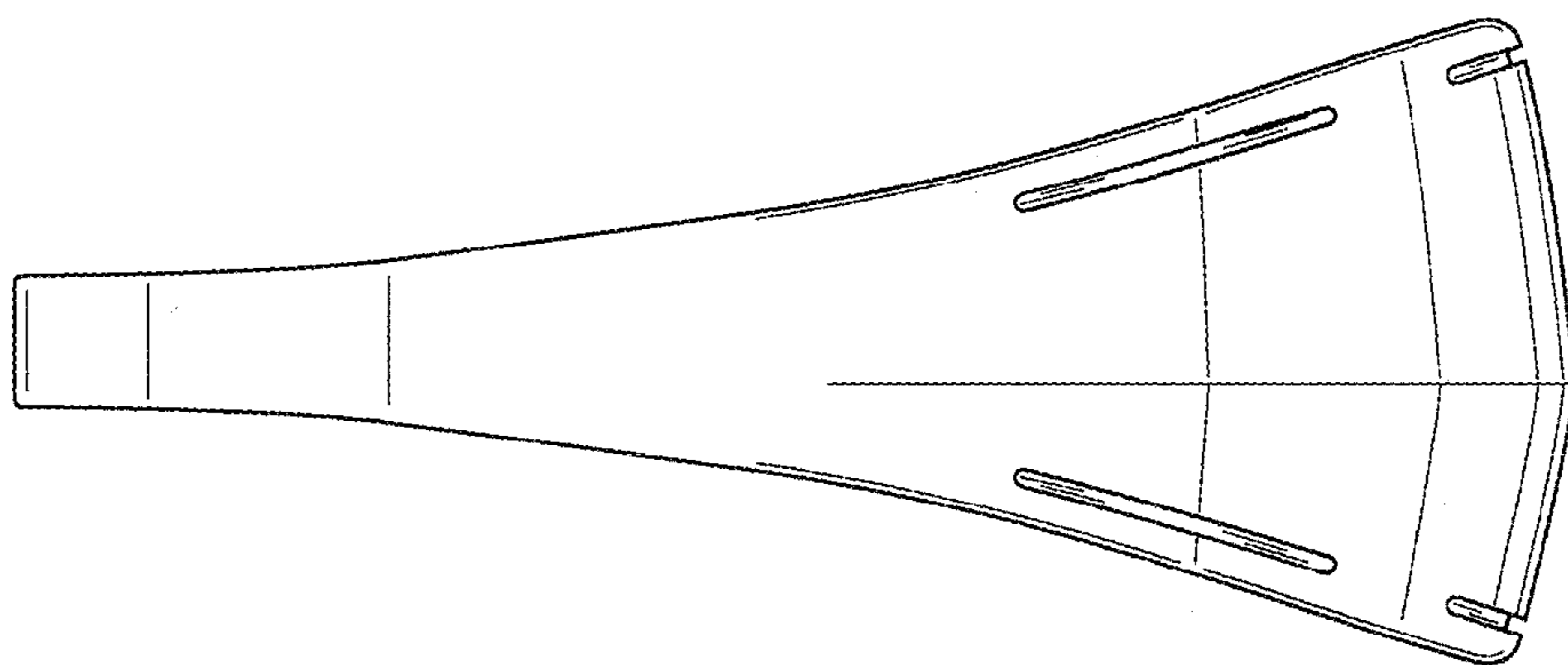


FIG. 5

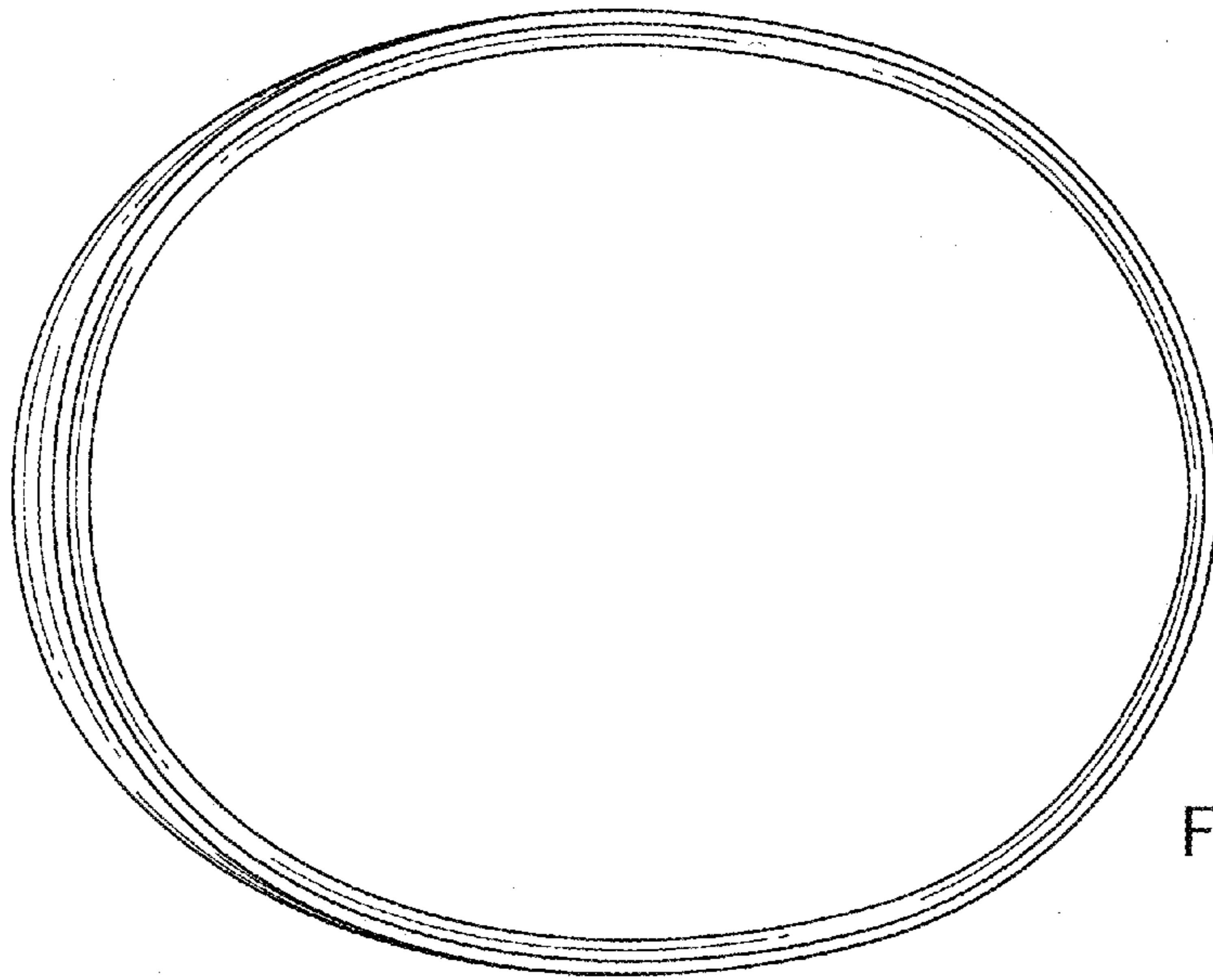


FIG. 6

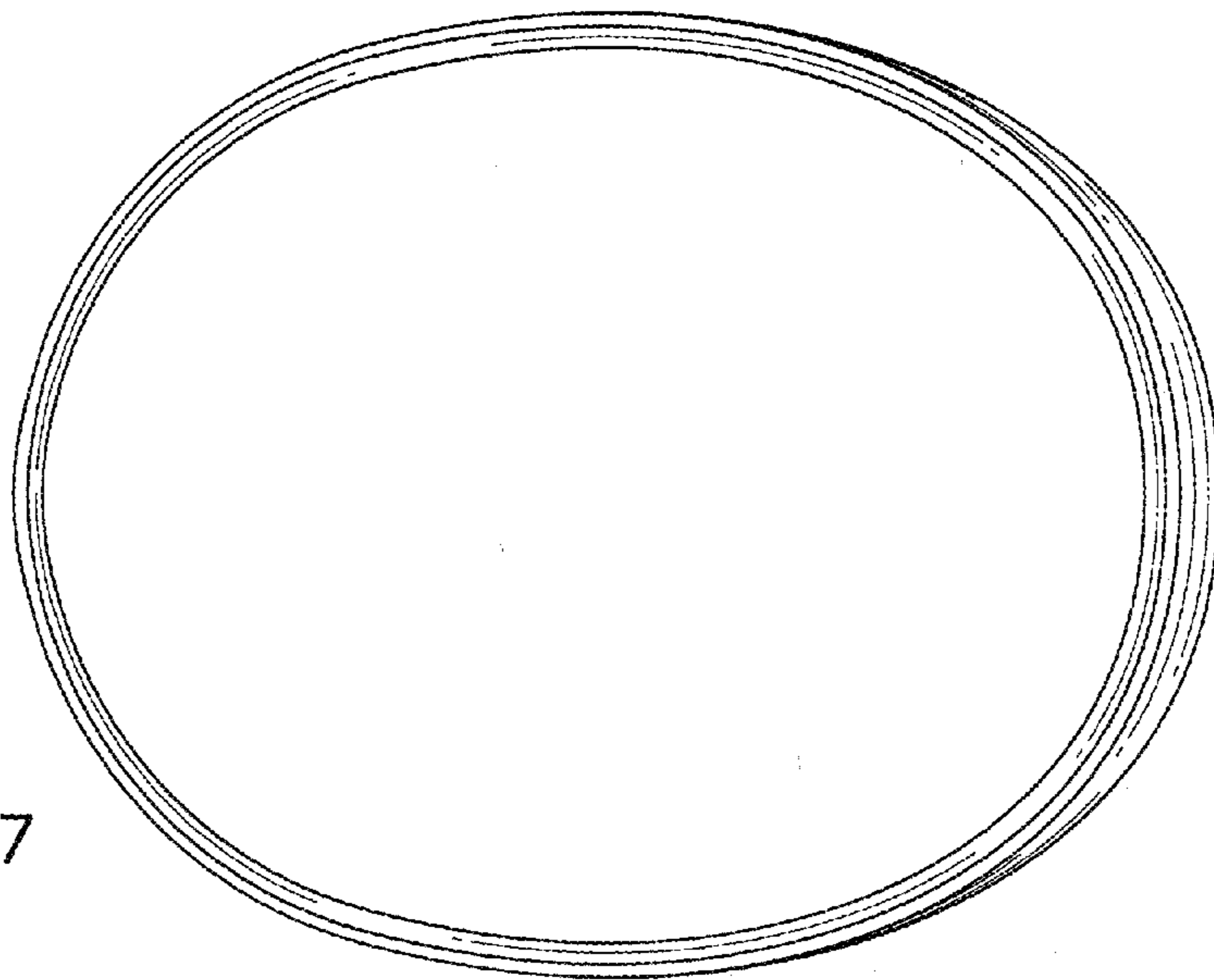


FIG. 7