



US00D746515S

(12) **United States Design Patent**
Bien et al.

(10) **Patent No.:** **US D746,515 S**

(45) **Date of Patent:** **** *Dec. 29, 2015**

(54) **REFLECTIVE WORK SHIRT OR SIMILAR
ARTICLE OF CLOTHING**

(56) **References Cited**

U.S. PATENT DOCUMENTS

(71) Applicants: **Kathleen T. Bien**, Englishtown, NJ
(US); **Anthony I Foglia**, Tuckerton, NJ
(US)

5,297,295	A *	3/1994	Barbeau et al.	2/96
5,640,718	A *	6/1997	Aldridge	2/81
5,993,865	A *	11/1999	Bech et al.	426/16
D438,692	S *	3/2001	Digby	D2/779
6,430,754	B1 *	8/2002	Taylor et al.	2/458
6,490,734	B2 *	12/2002	Blauer et al.	2/87
6,735,789	B2 *	5/2004	Kelleher et al.	2/458
7,117,539	B1 *	10/2006	Baacke	2/102
D531,783	S *	11/2006	Collier	D2/828
D595,481	S *	7/2009	Pressley	D2/841
D633,690	S *	3/2011	Tronvold	D2/828
D639,023	S *	6/2011	Iamartino et al.	D2/828
D662,282	S *	6/2012	Meunier-Bouchard	D2/828
D679,072	S *	4/2013	Abbevik et al.	D2/828
D703,921	S *	5/2014	Reisler	D2/828

(72) Inventors: **Kathleen T. Bien**, Englishtown, NJ
(US); **Anthony I Foglia**, Tuckerton, NJ
(US)

(*) Notice: This patent is subject to a terminal disclaimer.

(**) Term: **15 Years**

* cited by examiner

(21) Appl. No.: **29/527,024**

Primary Examiner — Randall Gholson

(22) Filed: **May 14, 2015**

(74) *Attorney, Agent, or Firm* — Lawrence C. Edelman

Related U.S. Application Data

(62) Division of application No. 29/429,546, filed on Aug. 13, 2012, now abandoned.

(51) **LOC (10) Cl.** **09-03**

(52) **U.S. Cl.**
USPC **D29/101.1**

(58) **Field of Classification Search**
USPC D2/717, 840, 841, 844, 847, 849, 830,
D2/834; 2/106, 115, 116, 456; D29/101.1,
D29/101.4

CPC A41D 1/00; A41D 3/02; A41D 13/01
See application file for complete search history.

(57) **CLAIM**

The ornamental design for a reflective work shirt or similar article of clothing, as shown and described.

DESCRIPTION

FIG. 1 is a front perspective view of a reflective work shirt or similar article of clothing;
FIG. 2 is a front elevational view thereof;
FIG. 3 is a rear elevational view thereof;
FIG. 4 is a right side elevational view thereof;
FIG. 5 is a left side elevational view thereof;
FIG. 6 is a top plan view thereof; and,
FIG. 7 is a bottom plan view thereof.

The broken lines depict portions of the reflective work shirt or similar article of clothing that form no part of the claimed design.

1 Claim, 5 Drawing Sheets

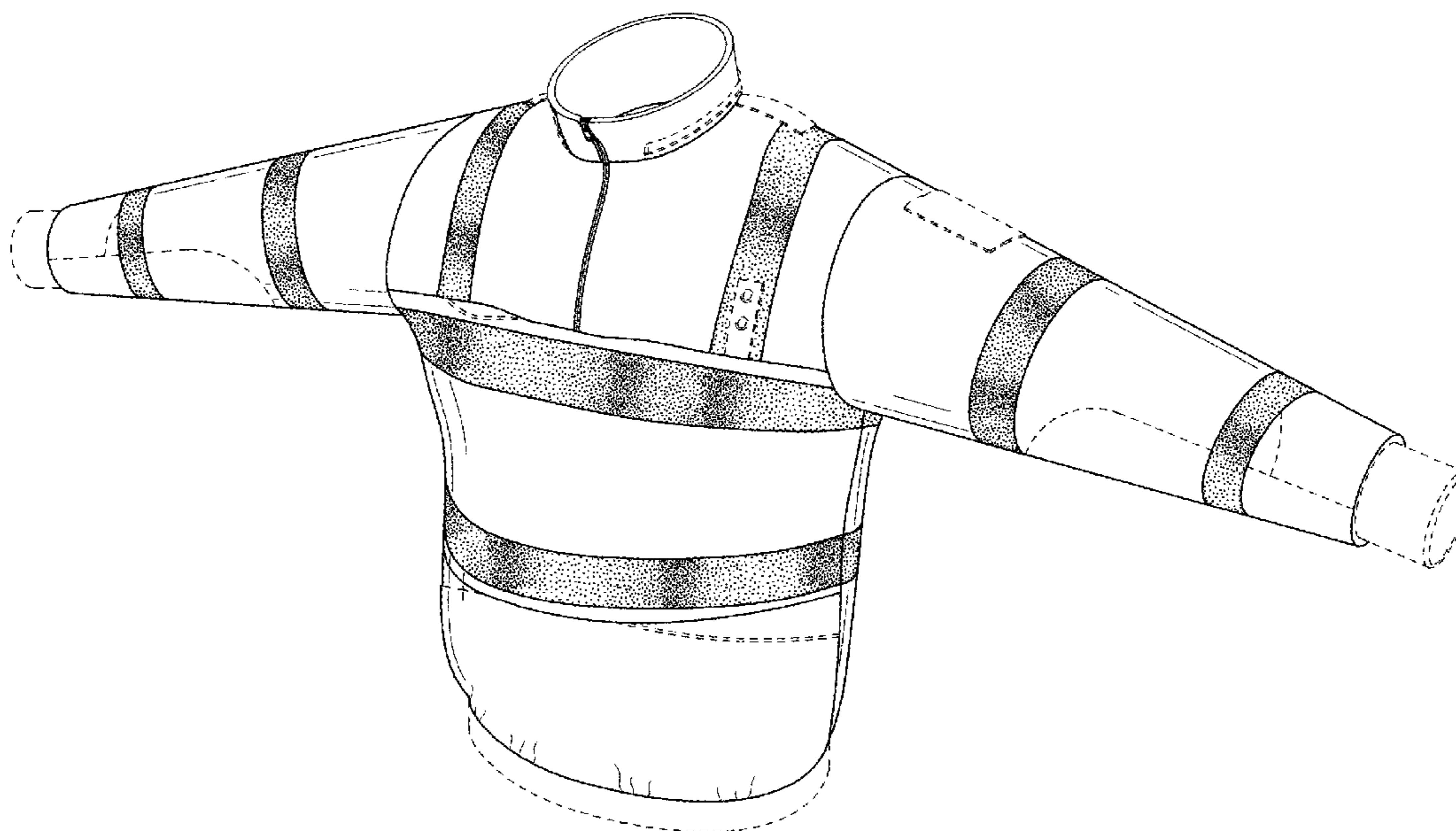


FIG. 1

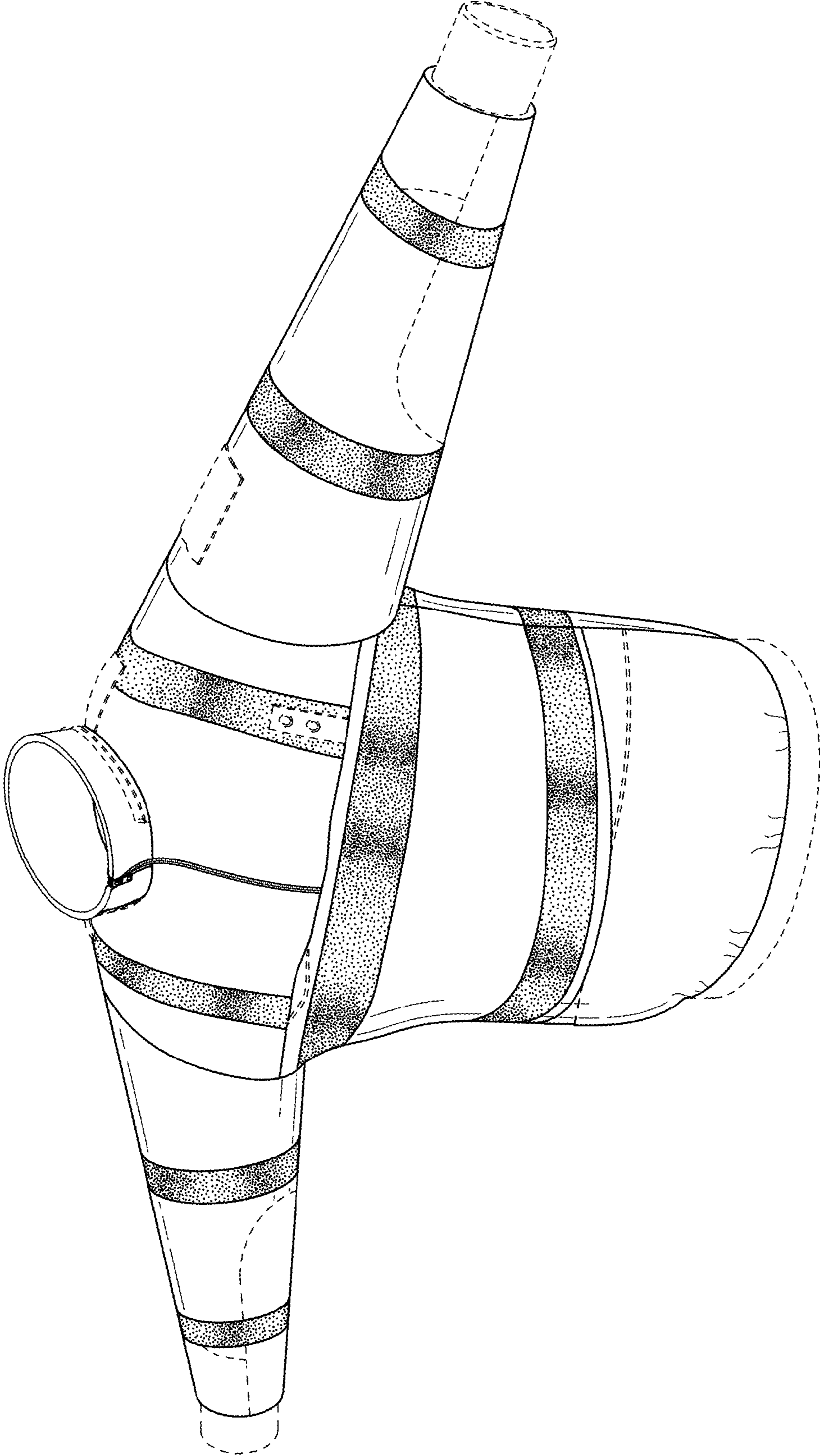


FIG. 2

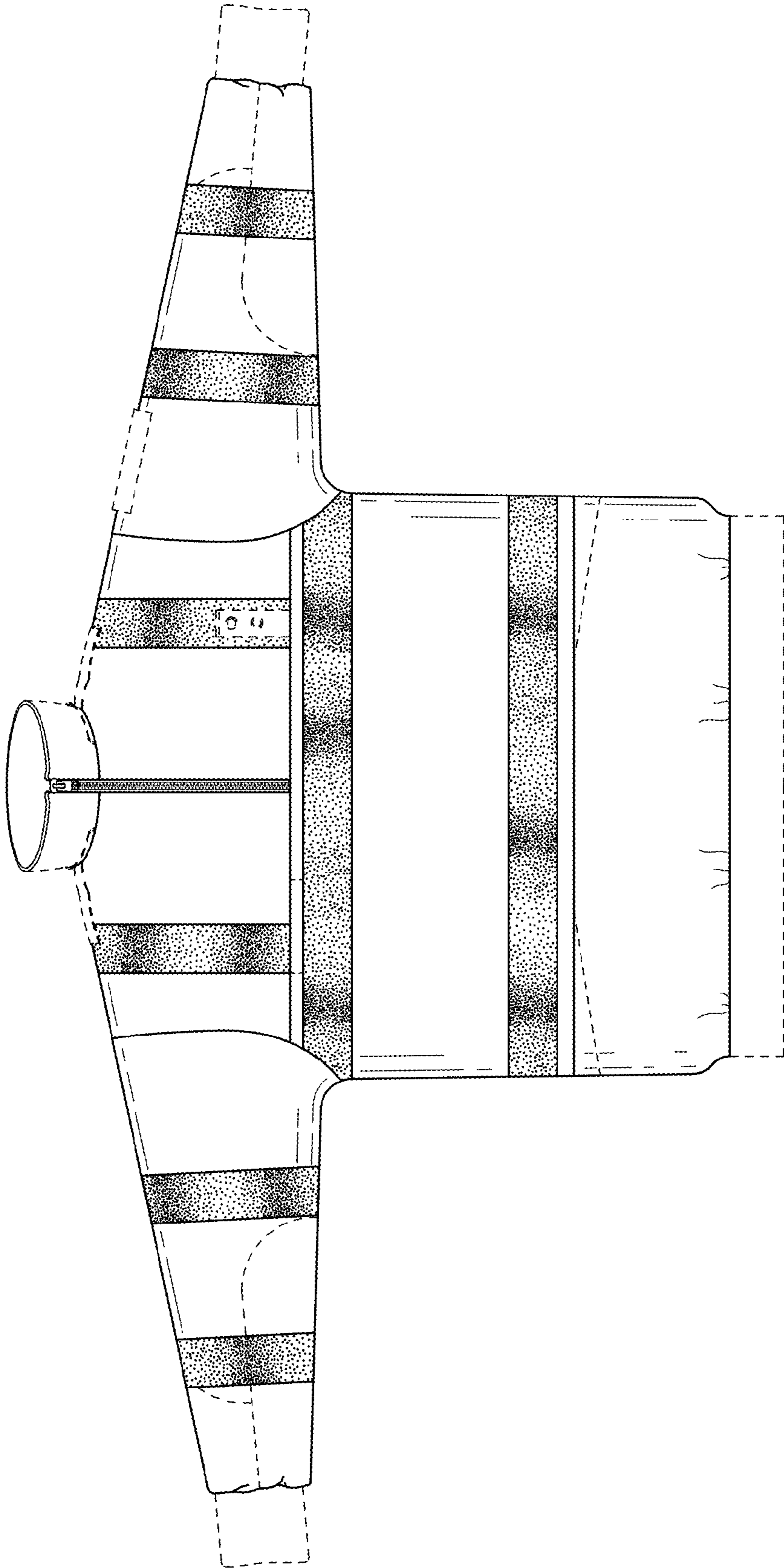


FIG. 3

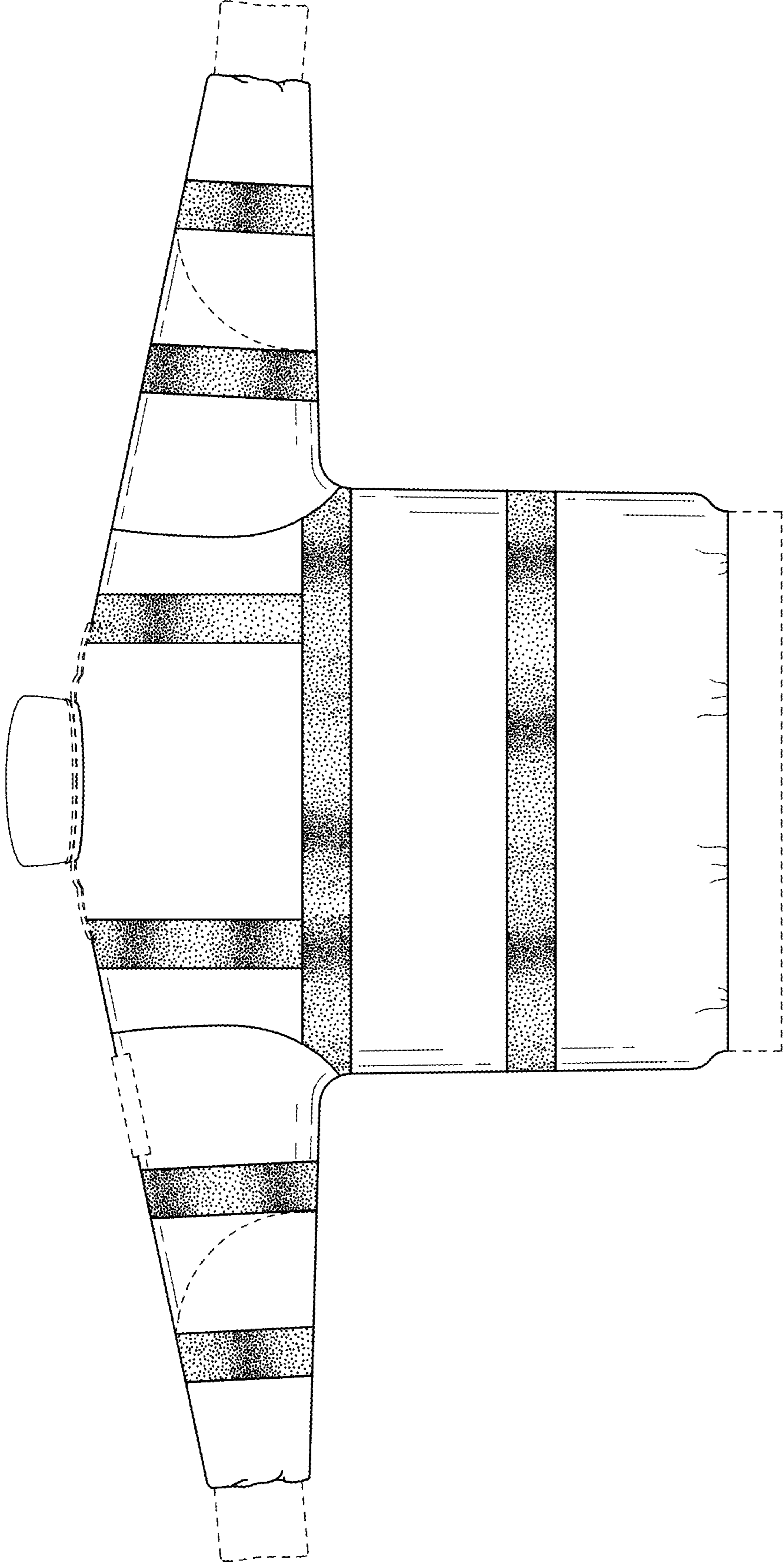


FIG. 4

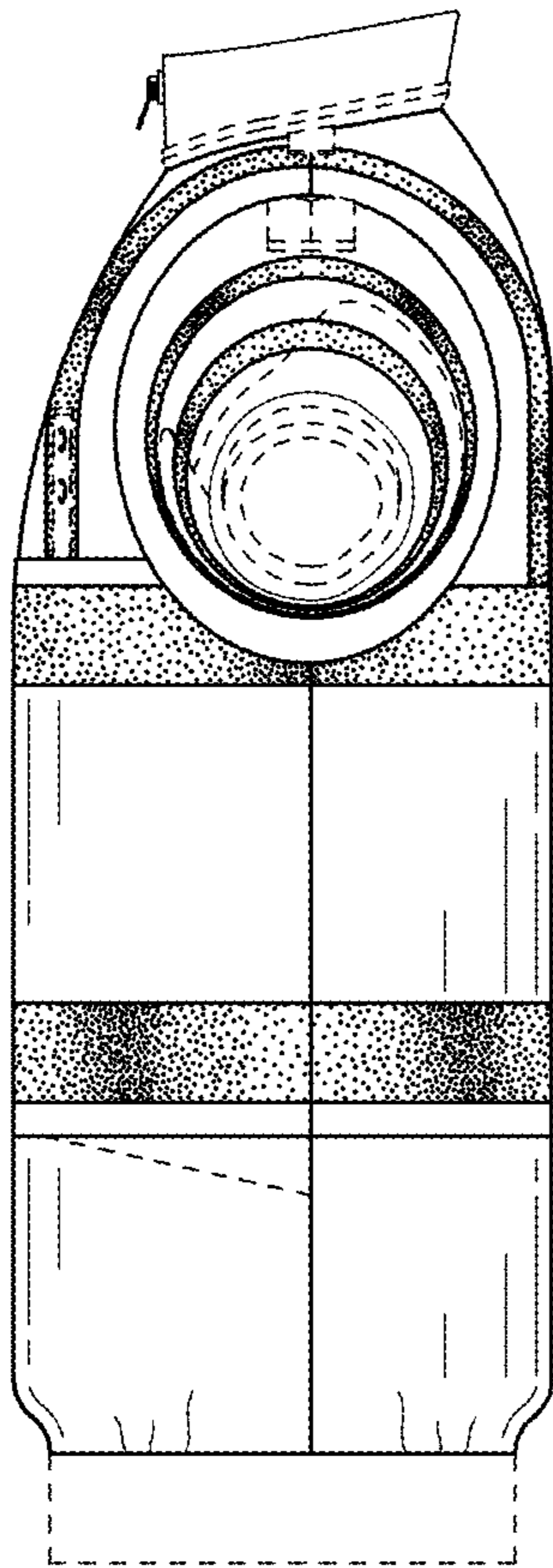


FIG. 5

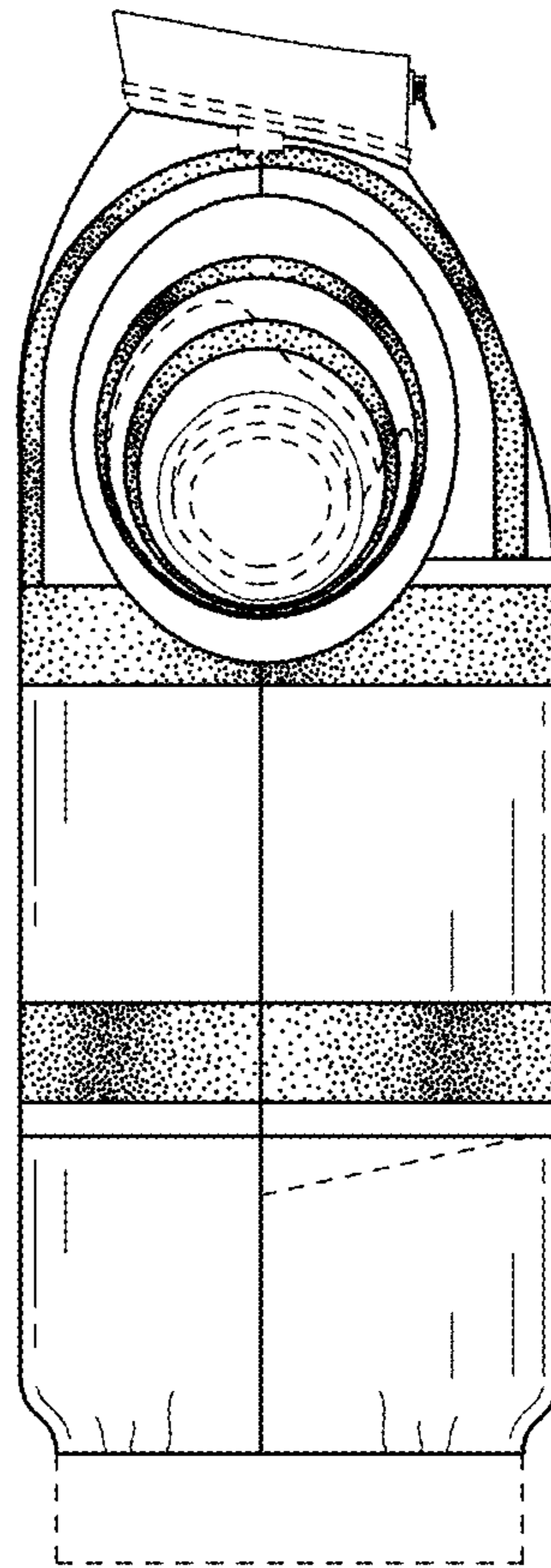


FIG. 6

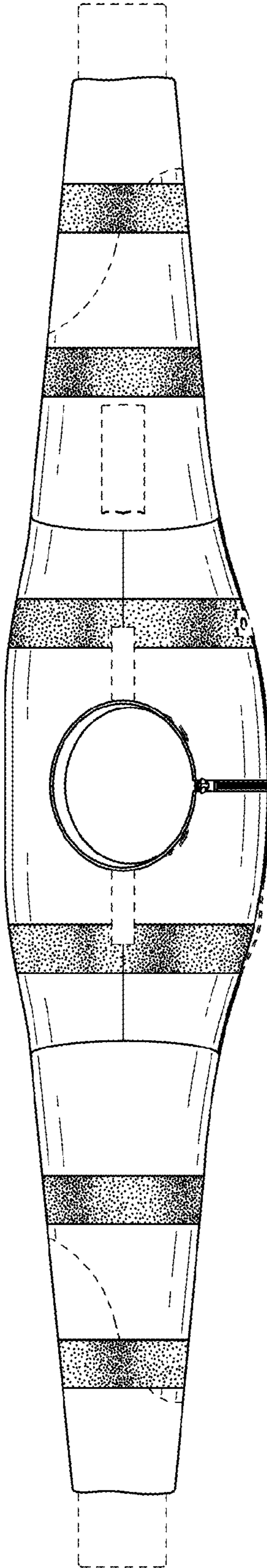


FIG. 7

