



US00D746514S

(12) **United States Design Patent**
Lambridis et al.

(10) **Patent No.:** **US D746,514 S**
(45) **Date of Patent:** **** Dec. 29, 2015**

(54) **PRESSED COSMETIC POWDER CAKE, POWDER CAKE CONTAINER, AND CASE ASSEMBLY**

(71) Applicant: **Mana Products, Inc.**, Long Island City, NY (US)

(72) Inventors: **George Lambridis**, Wayne, NJ (US); **Chris Raftis**, Bayside, NY (US); **Julio Pena**, Woodside, NY (US)

(73) Assignee: **MANA PRODUCTS, INC.**, Long Island City, NY (US)

(**) Term: **14 Years**

(21) Appl. No.: **29/468,950**

(22) Filed: **Oct. 4, 2013**

(51) **LOC (10) Cl.** **28-03**

(52) **U.S. Cl.**
USPC **D28/82; D28/4**

(58) **Field of Classification Search**
USPC D28/78, 82, 83, 81, 77, 79, 84, 76, 64.1, D28/64.3, 73; D3/275, 901, 205, 274; D9/503-505; 132/312-318, 286-307; 206/581, 457, 823
CPC A45D 40/22; A45D 40/221-40/222; A45D 2040/223-2040/228; A45D 40/24; A45D 33/03; A45D 33/006; A45D 33/008; A45D 42/02

See application file for complete search history.

(56) **References Cited**

U.S. PATENT DOCUMENTS

1,704,616 A * 3/1929 Kendall 132/293
1,922,326 A * 8/1933 Rauber et al. 132/306

(Continued)

FOREIGN PATENT DOCUMENTS

WO 2013/065951 A1 5/2013

Primary Examiner — Jennifer Rivard

Assistant Examiner — April Rivas

(74) *Attorney, Agent, or Firm* — Brian R. Pollack; Day Pitney LLP

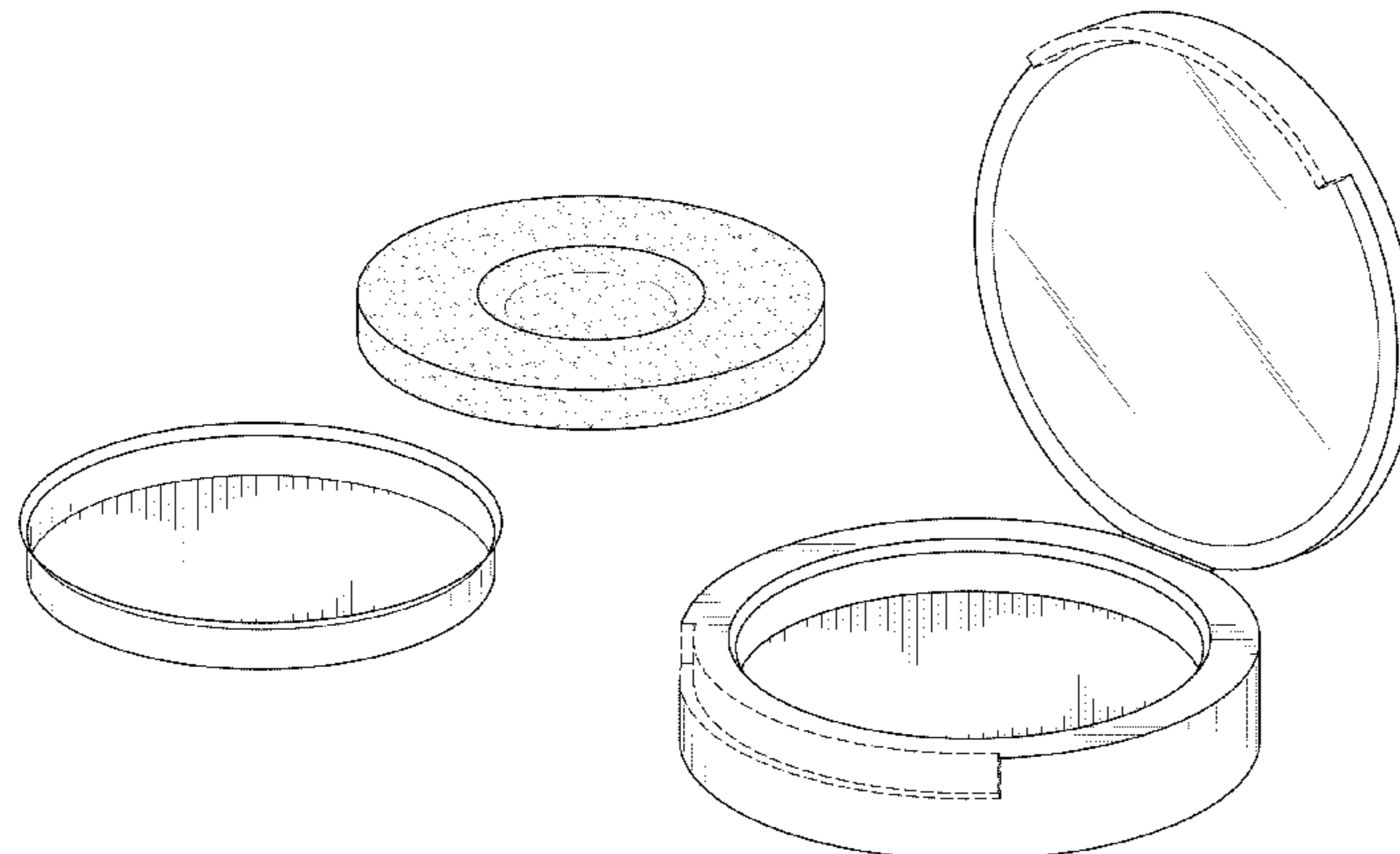
(57) **CLAIM**

The ornamental design for pressed cosmetic powder cake, powder cake container and case assembly, as shown and described.

DESCRIPTION

FIG. 1 is an exploded front perspective view of the ornamental design for a pressed cosmetic powder cake, powder cake container, and case assembly;
FIG. 2 is a front elevational view thereof;
FIG. 3 is a rear elevational view thereof;
FIG. 4 is a right side elevational view thereof;
FIG. 5 is a left side elevational view thereof;
FIG. 6 is a top plan view thereof; and
FIG. 7 is a bottom plan view thereof.
FIG. 8 is a front perspective view of the pressed cosmetic powder cake, powder cake container, and case assembly in a combined configuration.
FIG. 9 is a front elevational view thereof;
FIG. 10 is a rear elevational view thereof;
FIG. 11 is a right side elevational view thereof;
FIG. 12 is a left side elevational view thereof;
FIG. 13 is a top plan thereof; and
FIG. 14 is a bottom plan view thereof.
FIG. 15 is a front perspective view of an alternate embodiment of the pressed cosmetic powder cake, powder cake container, and case assembly in a combined configuration.
FIG. 16 is a front perspective view of an alternate embodiment of the pressed cosmetic powder cake, powder cake container, and case assembly in a combined configuration.
FIG. 17 is a front perspective view of an alternate embodiment of the pressed cosmetic powder cake, powder cake container, and case assembly in a combined configuration.
FIG. 18 is a front perspective view of an alternate embodiment of the pressed cosmetic powder cake, powder cake container, and case assembly in a combined configuration; and,
FIG. 19 is a front perspective view of an alternate embodiment of the pressed cosmetic powder cake, powder cake container, and case assembly in a combined configuration.
The broken lines illustrate portions of the pressed cosmetic powder cake, powder cake container, and case assembly and form no part of the claimed design.

1 Claim, 19 Drawing Sheets



(56)

References Cited

U.S. PATENT DOCUMENTS

D115,324 S * 6/1939 Zell D28/83
 D118,781 S * 1/1940 Landwehr D28/83
 2,215,309 A * 9/1940 Zell 292/86
 2,874,649 A * 2/1959 Pelletier 426/249
 4,337,859 A 7/1982 Murphy et al.
 D285,373 S * 8/1986 Simonetti et al. D28/83
 4,714,084 A 12/1987 Berry et al.
 4,820,518 A 4/1989 Murphy et al.
 5,205,431 A 4/1993 Zinnbauer
 5,611,362 A * 3/1997 Duncan et al. 132/301
 5,709,232 A 1/1998 Sheffler et al.
 6,058,942 A * 5/2000 Eng 132/200
 6,245,341 B1 6/2001 Pahlck et al.
 D454,414 S * 3/2002 Look D28/77
 D454,661 S * 3/2002 Look D28/77
 D454,985 S * 3/2002 Look D28/77

6,695,510 B1 * 2/2004 Look et al. 401/68
 D519,241 S * 4/2006 Jackel-Marken D28/4
 D578,711 S * 10/2008 Burrow et al. D28/82
 7,882,955 B1 * 2/2011 Forsline et al. 206/575
 D708,781 S * 7/2014 Yoon D28/4
 D721,855 S * 1/2015 Lavigne D28/83
 2003/0010350 A1 1/2003 De Laforcade
 2004/0173498 A1 9/2004 Lee
 2005/0109661 A1 5/2005 Shih
 2006/0006579 A1 * 1/2006 Maio et al. 264/279
 2008/0011320 A1 * 1/2008 Bouix et al. 132/293
 2008/0023023 A1 * 1/2008 Boye et al. 132/294
 2008/0295857 A1 * 12/2008 Gatesoupe 132/295
 2010/0132734 A1 * 6/2010 Mills 132/294
 2013/0152962 A1 * 6/2013 Pires et al. 132/313
 2013/0220362 A1 * 8/2013 Rogers 132/301
 2014/0014131 A1 * 1/2014 Zhang 132/316
 2014/0261530 A1 * 9/2014 McNamara 132/301

* cited by examiner

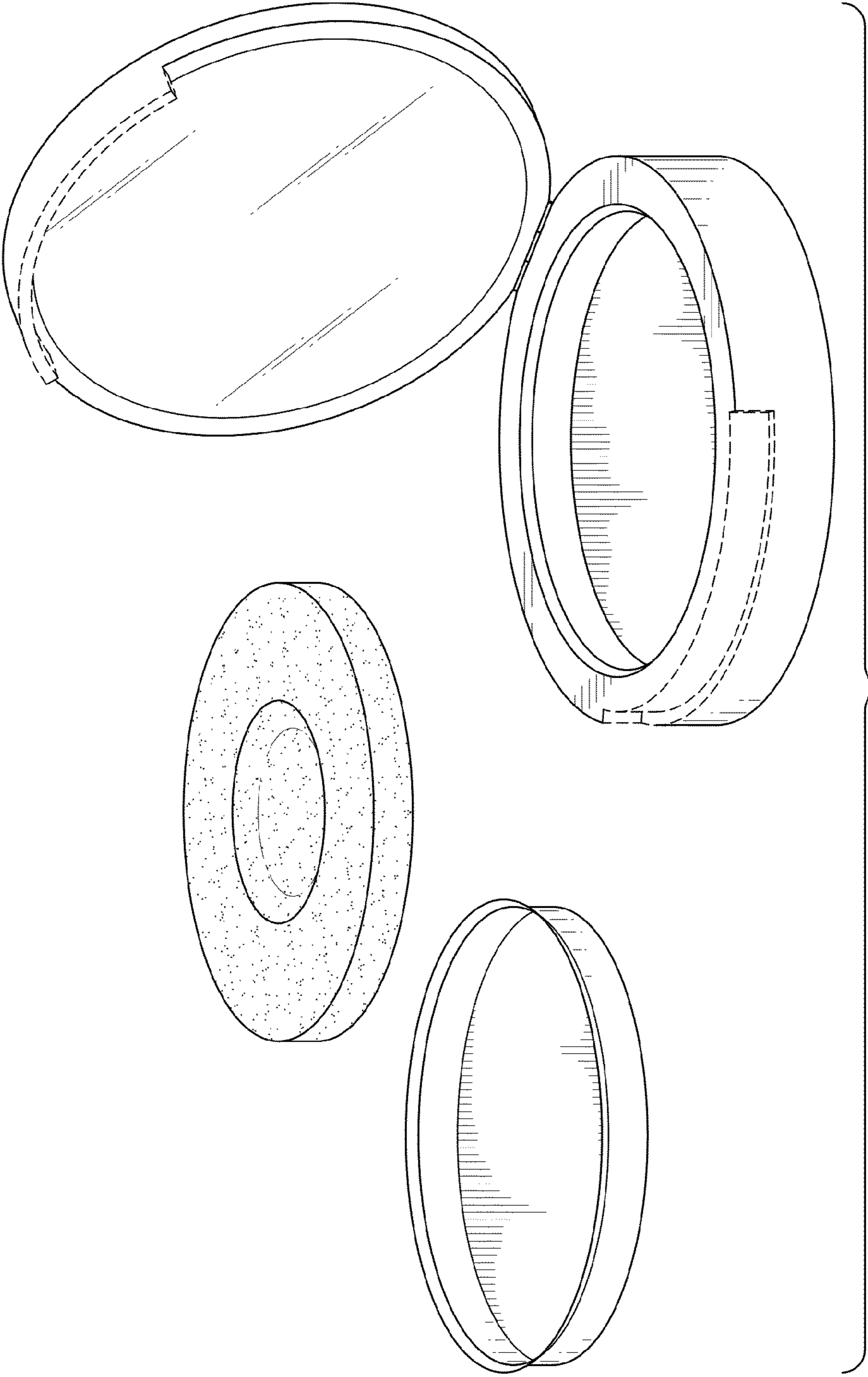


FIG.1

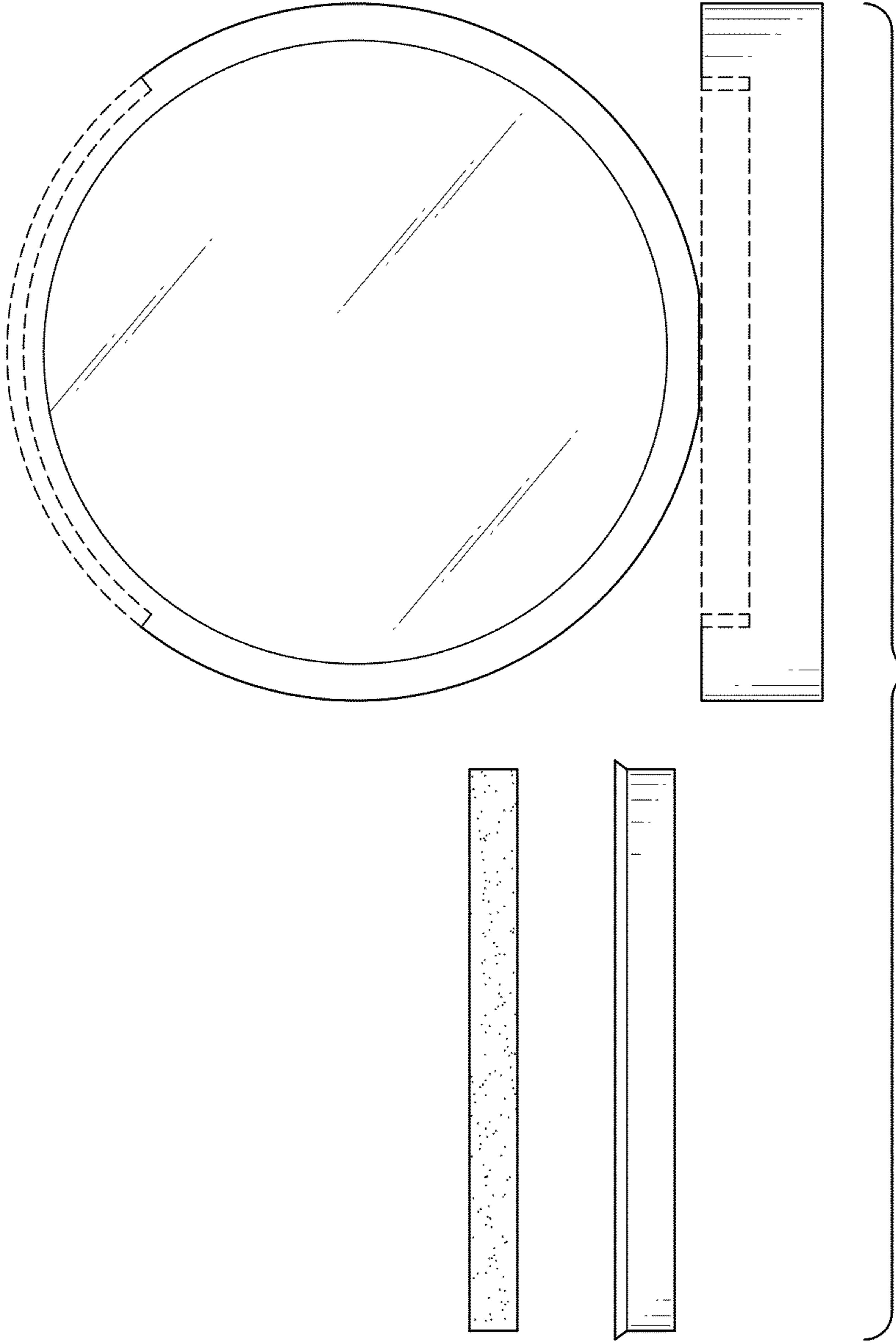


FIG.2

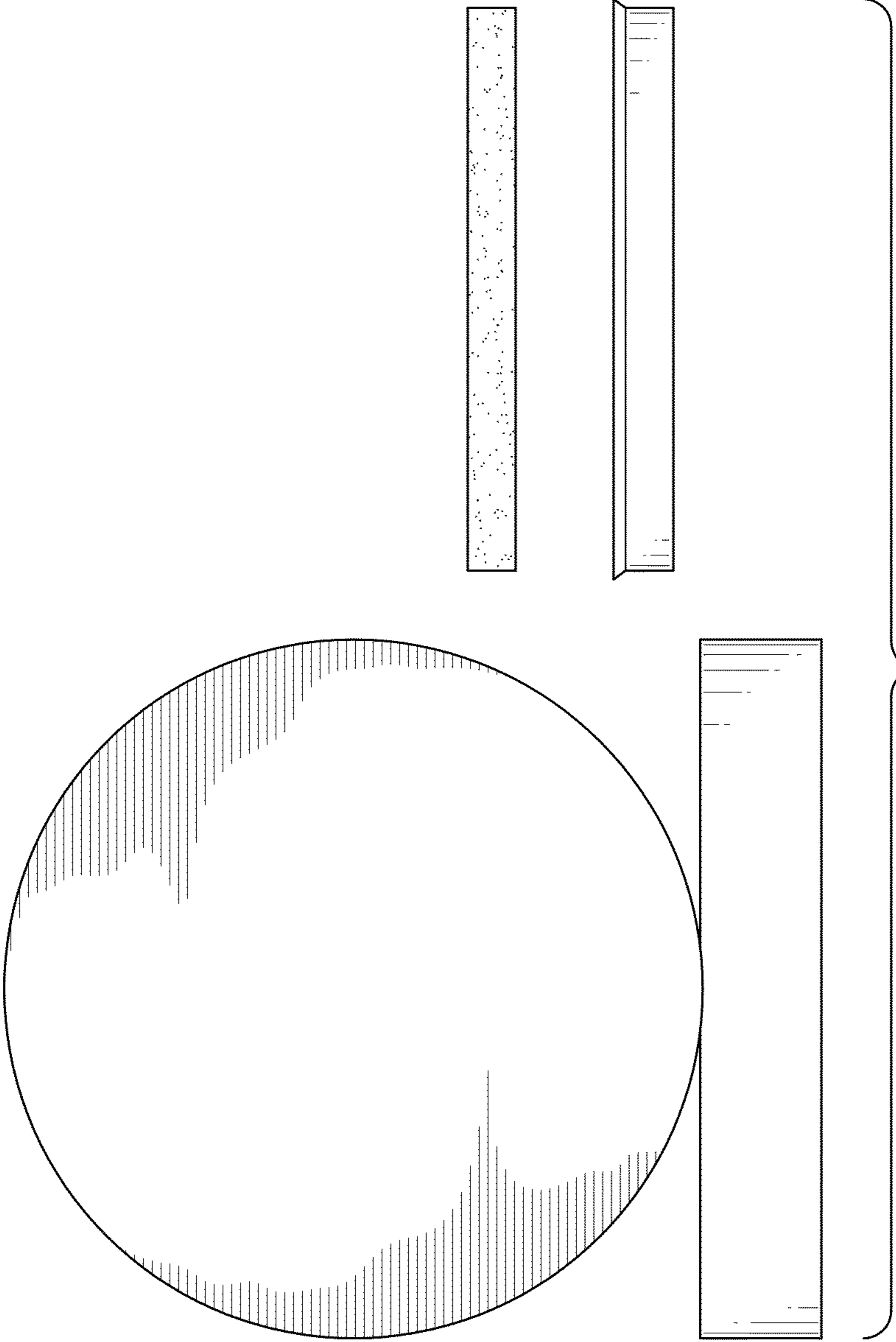


FIG. 3

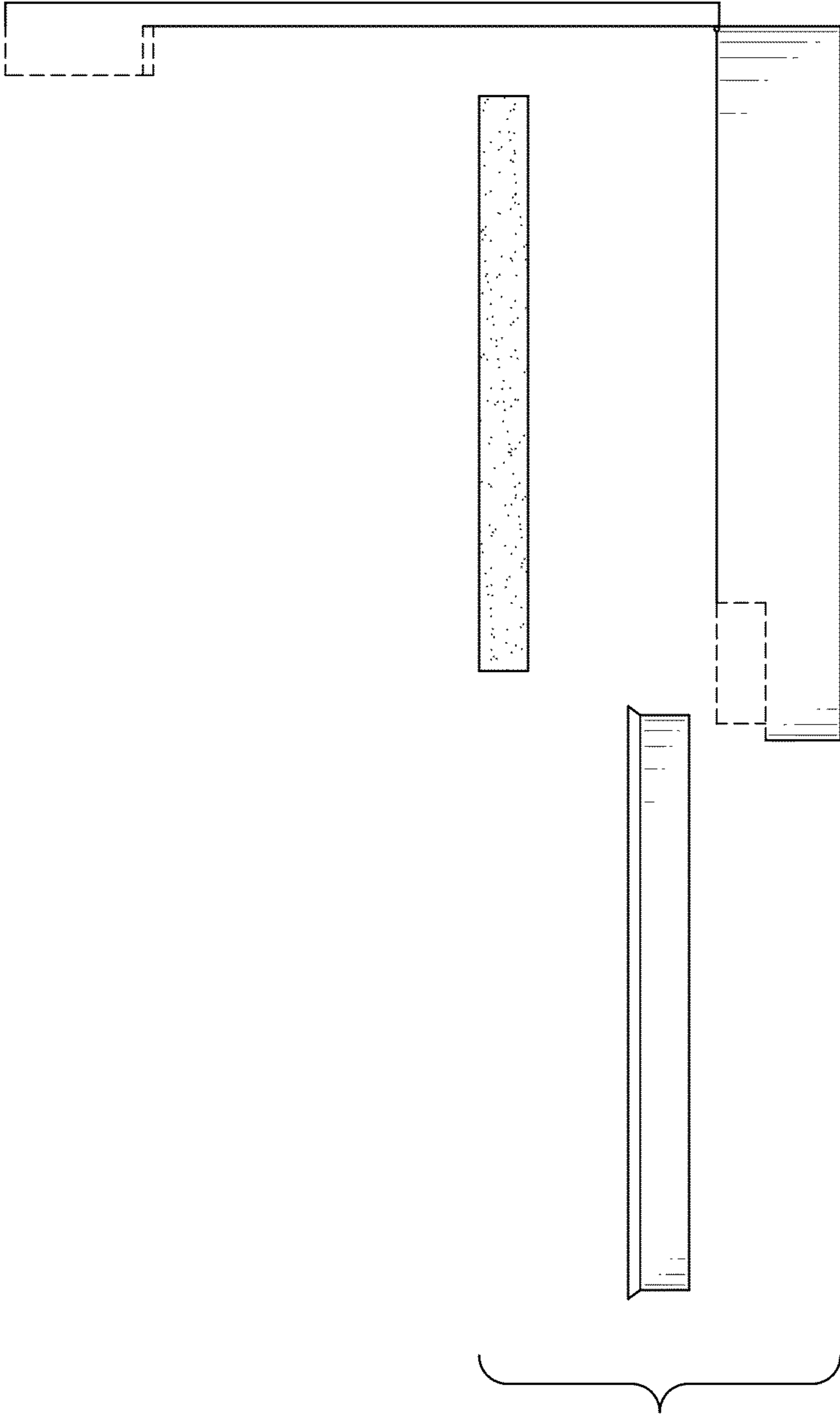


FIG.4

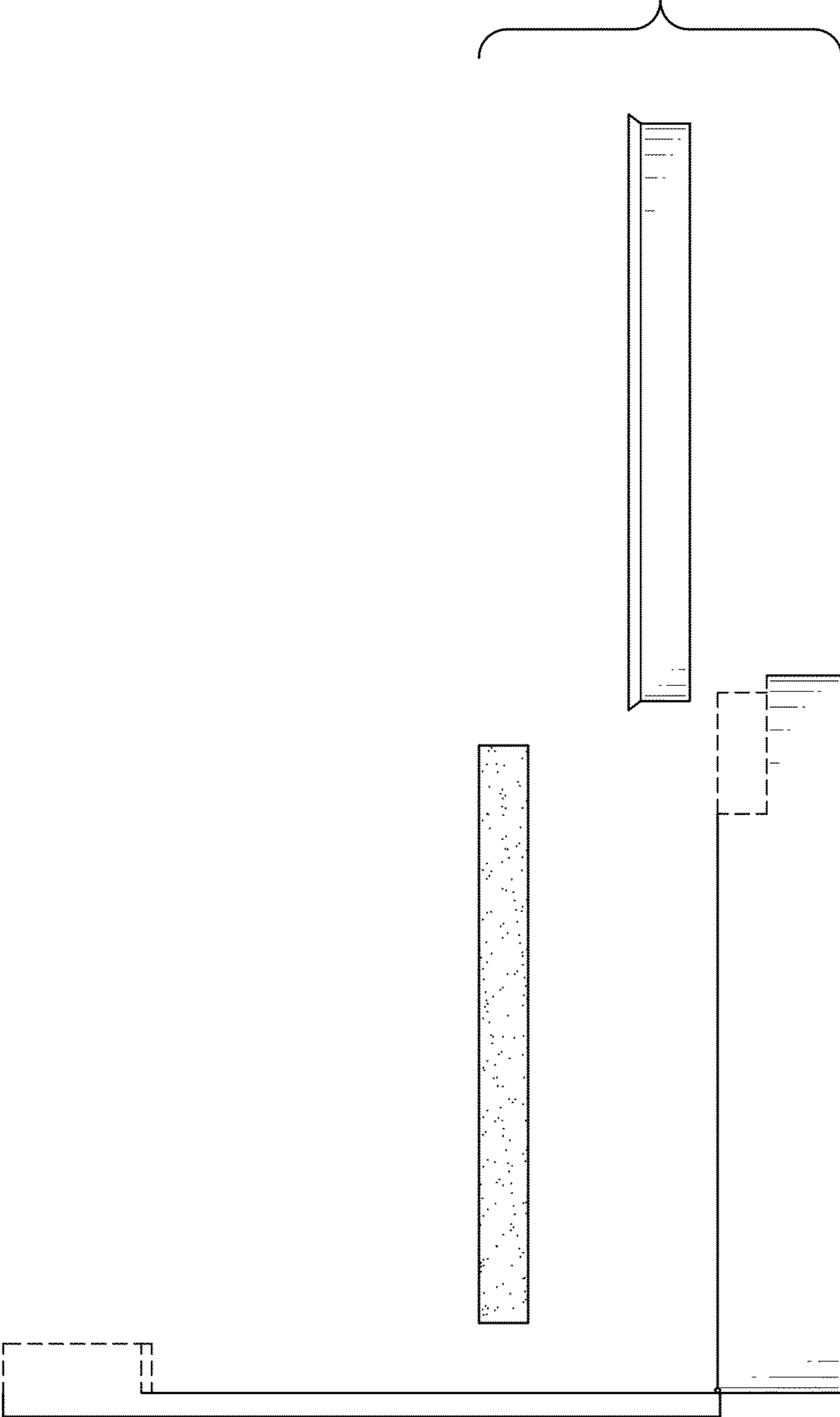


FIG. 5

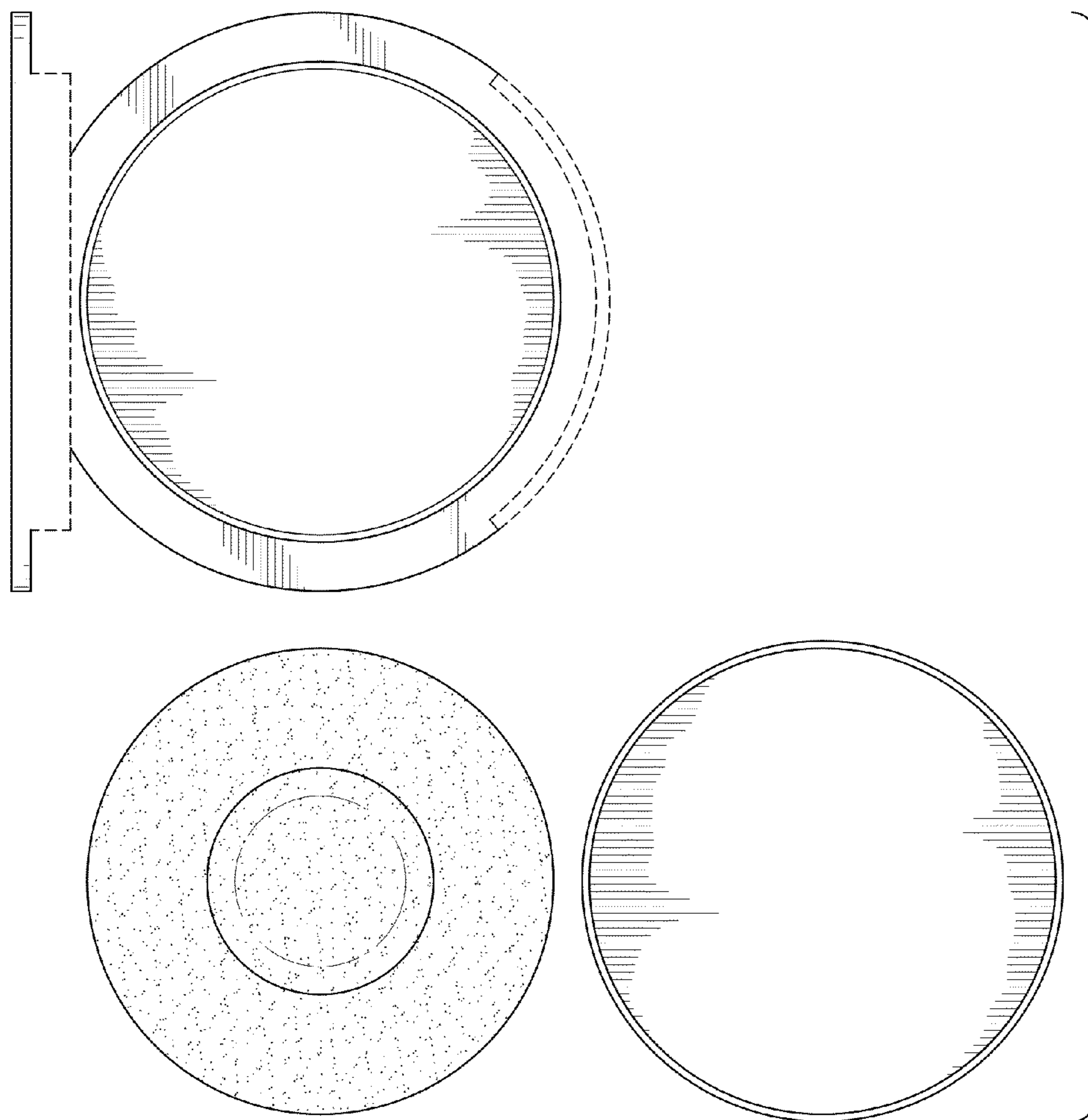
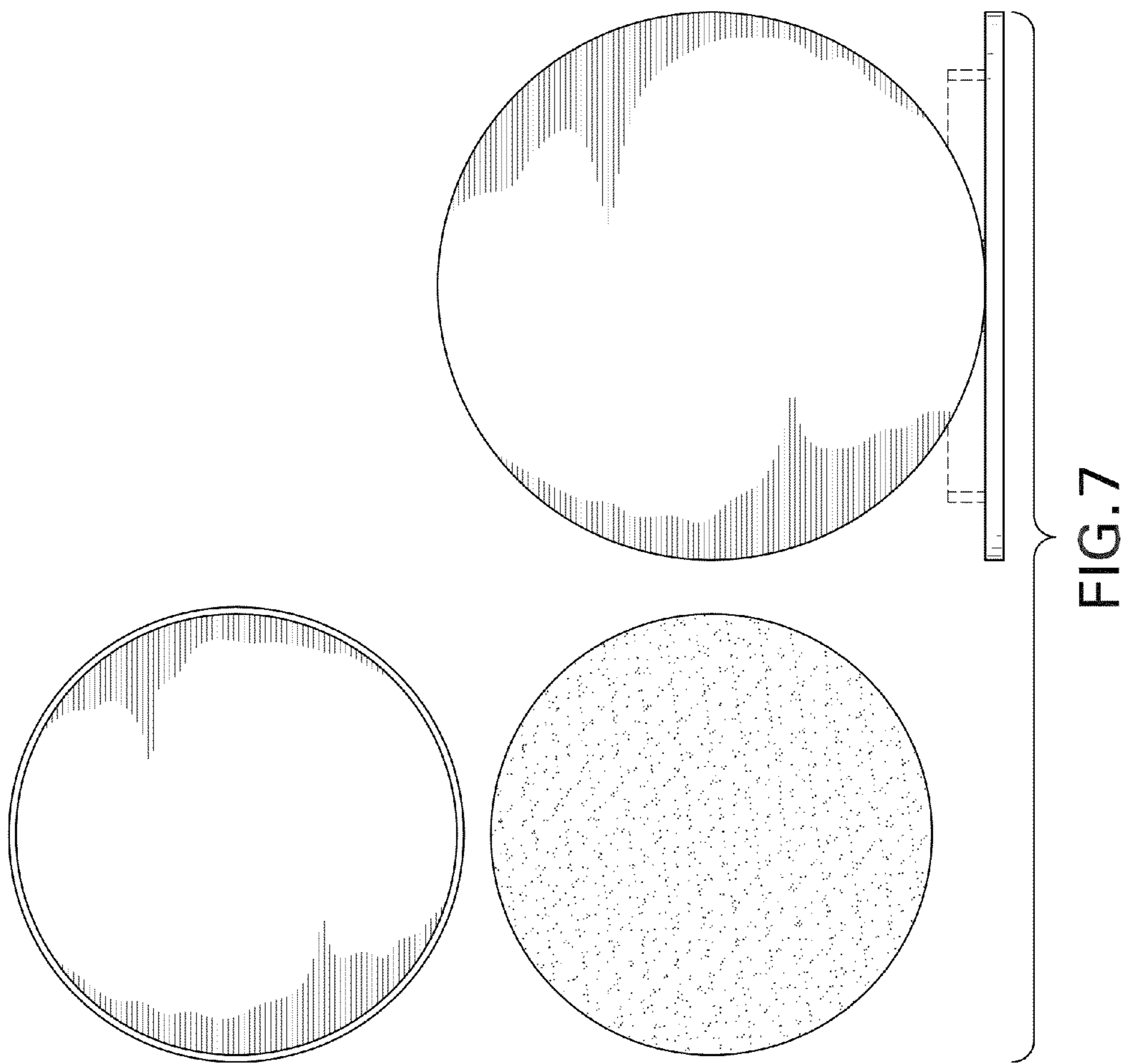


FIG. 6



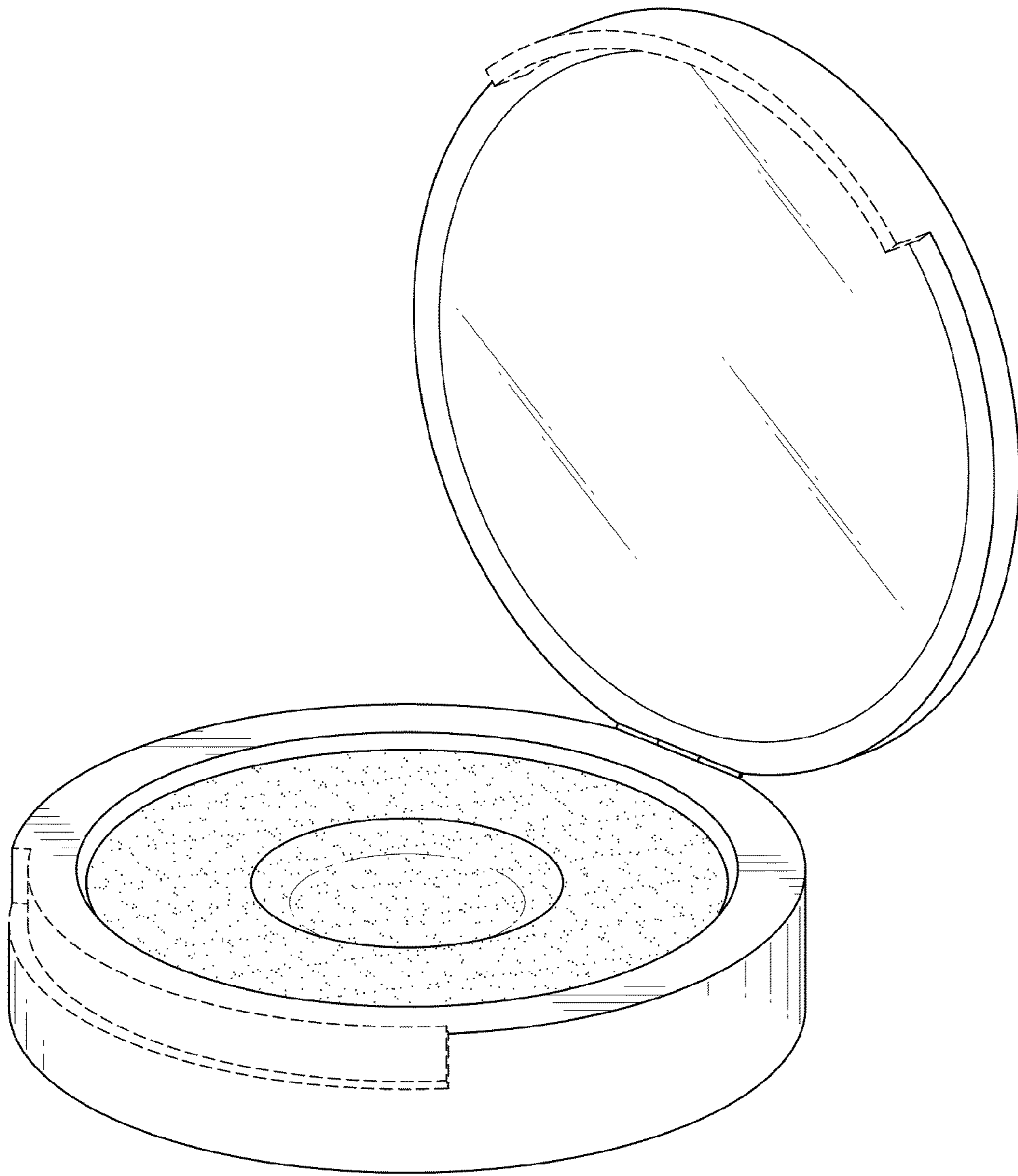


FIG.8

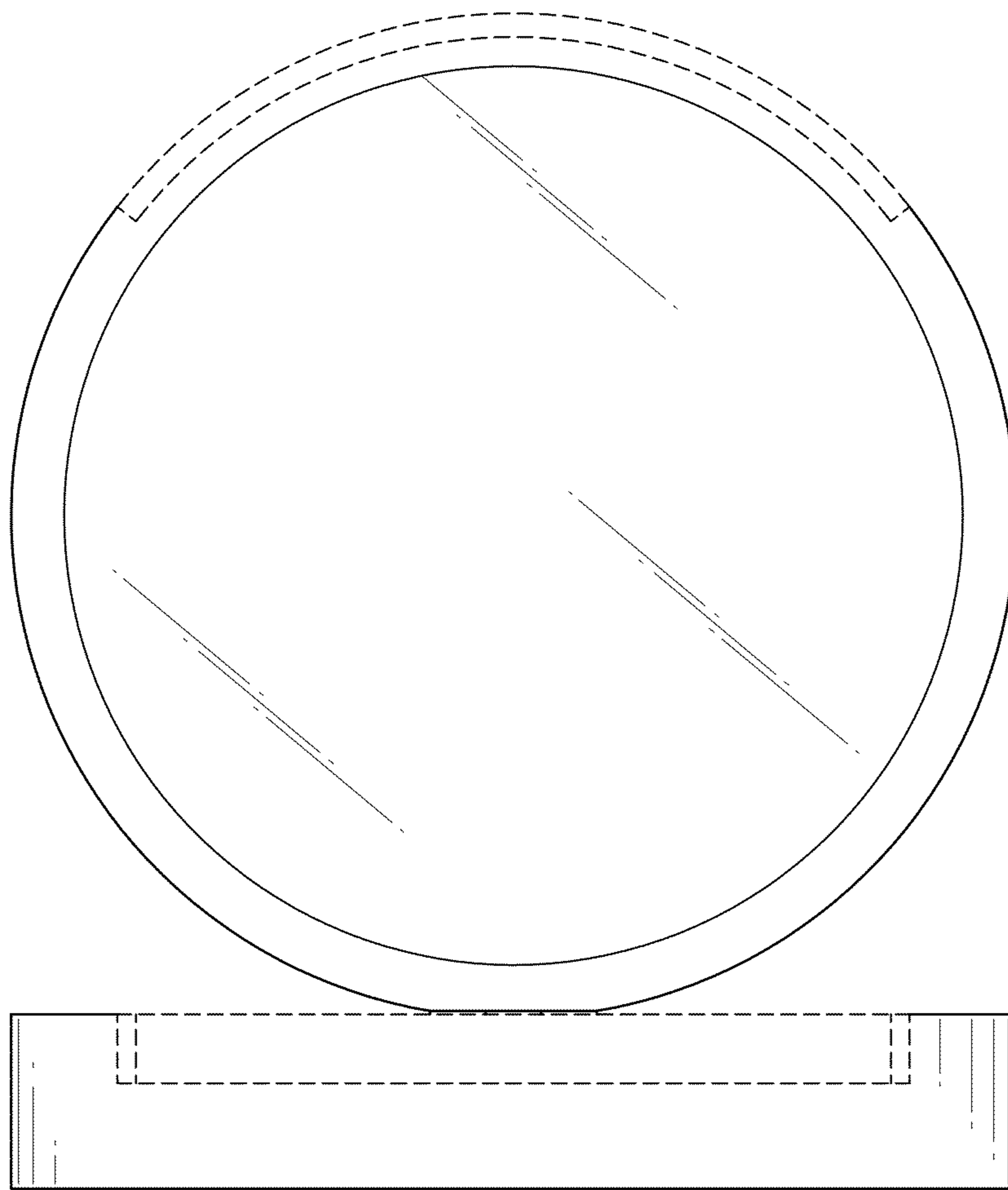


FIG. 9

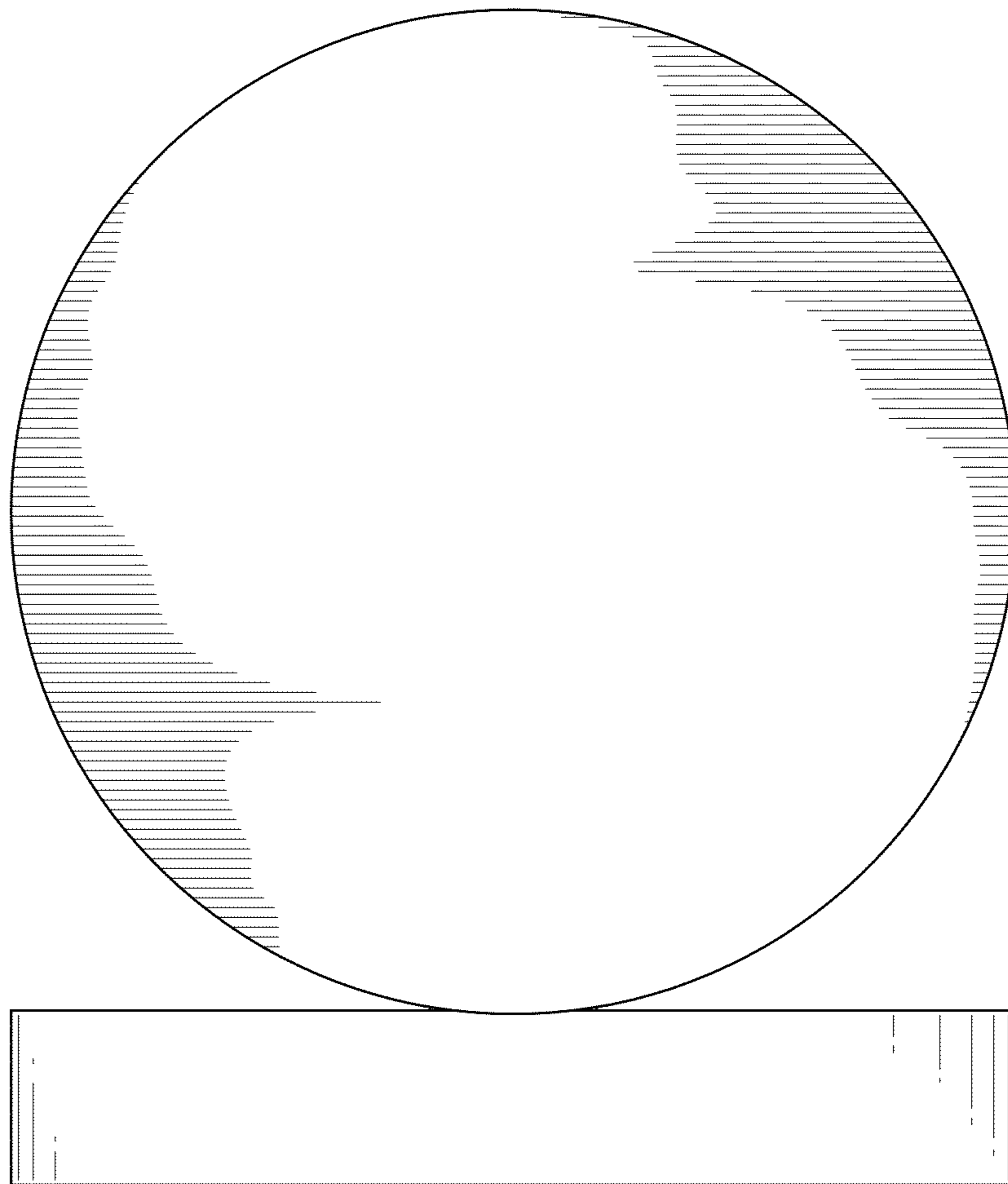


FIG. 10

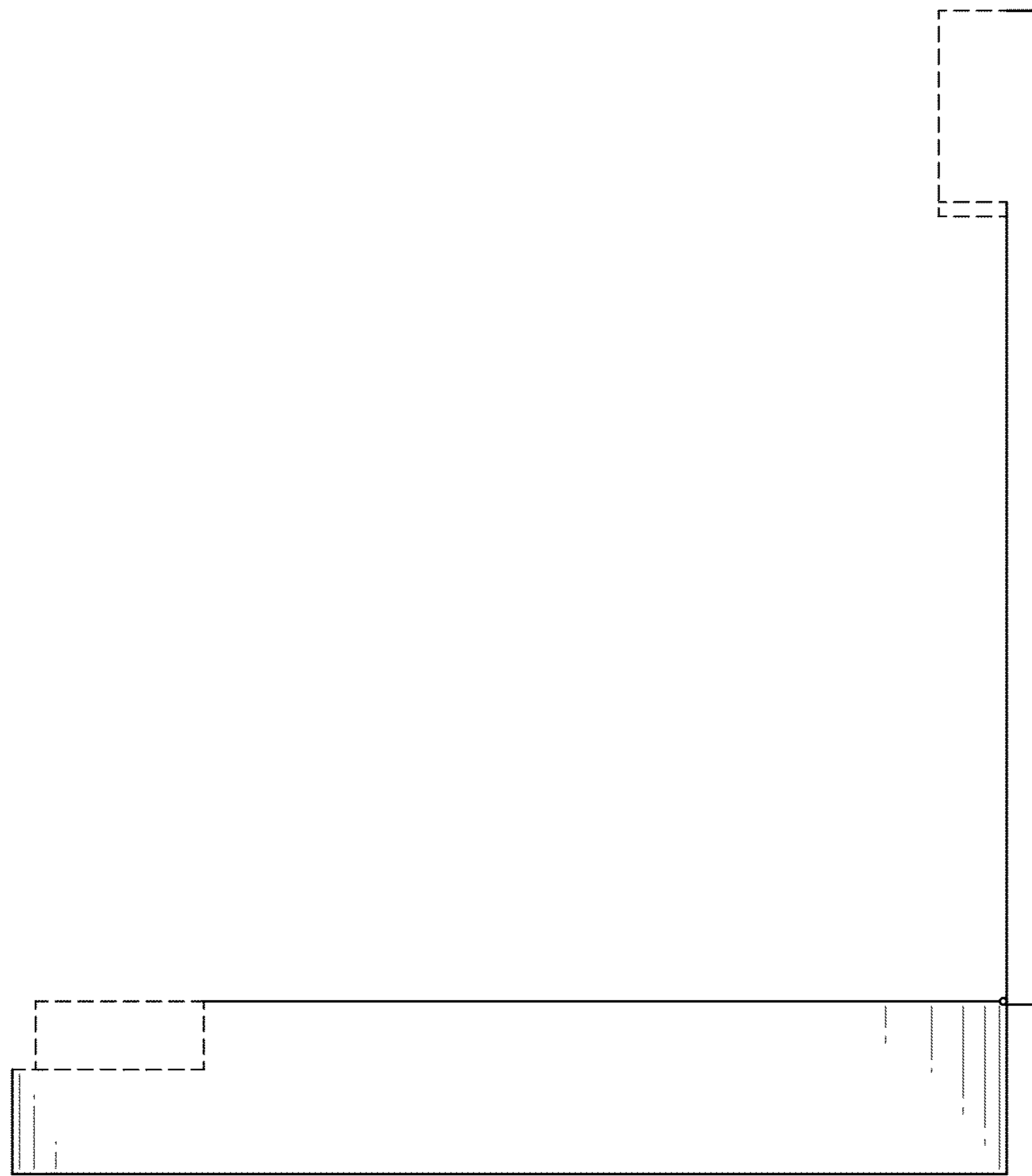


FIG. 11

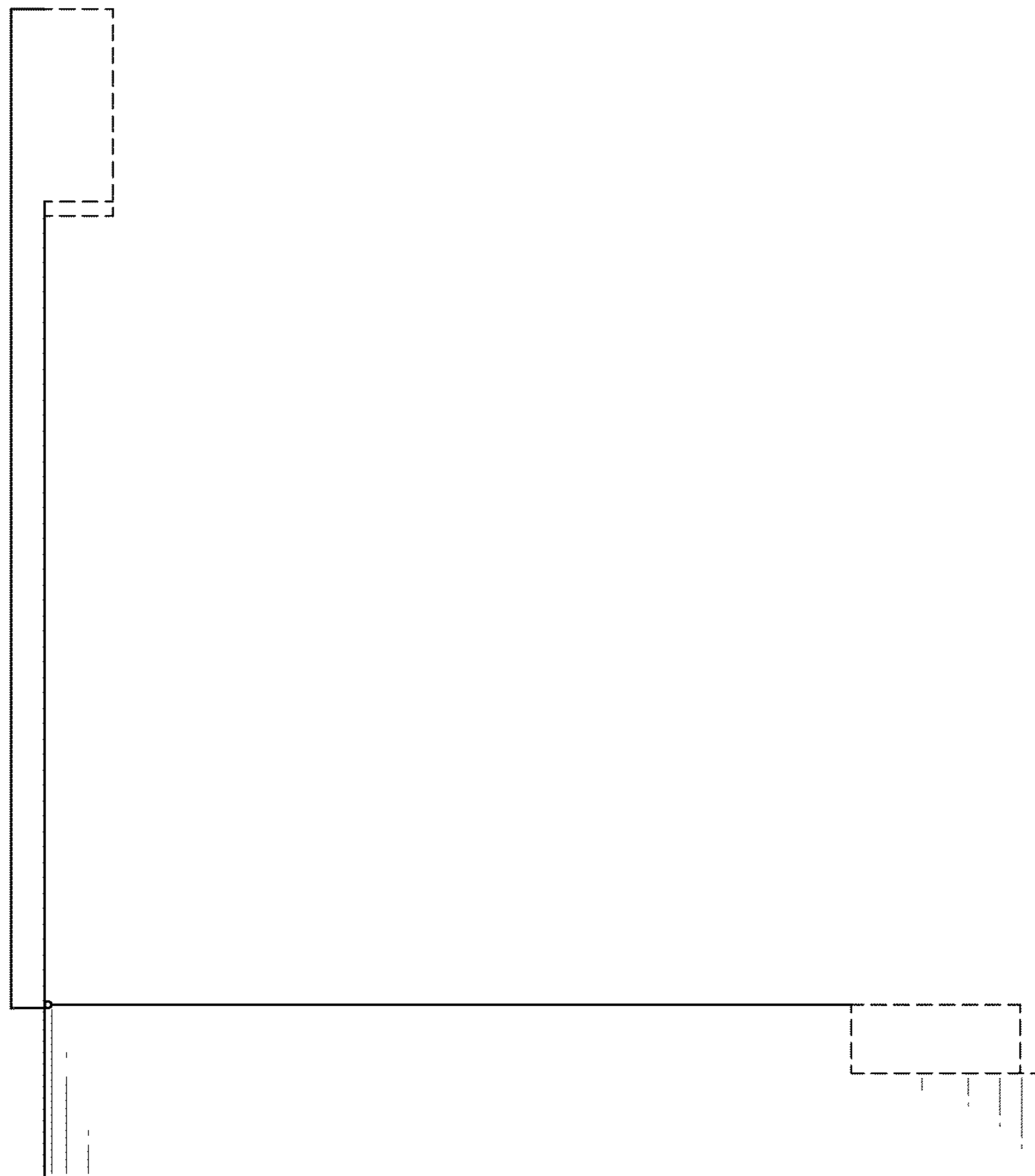


FIG. 12

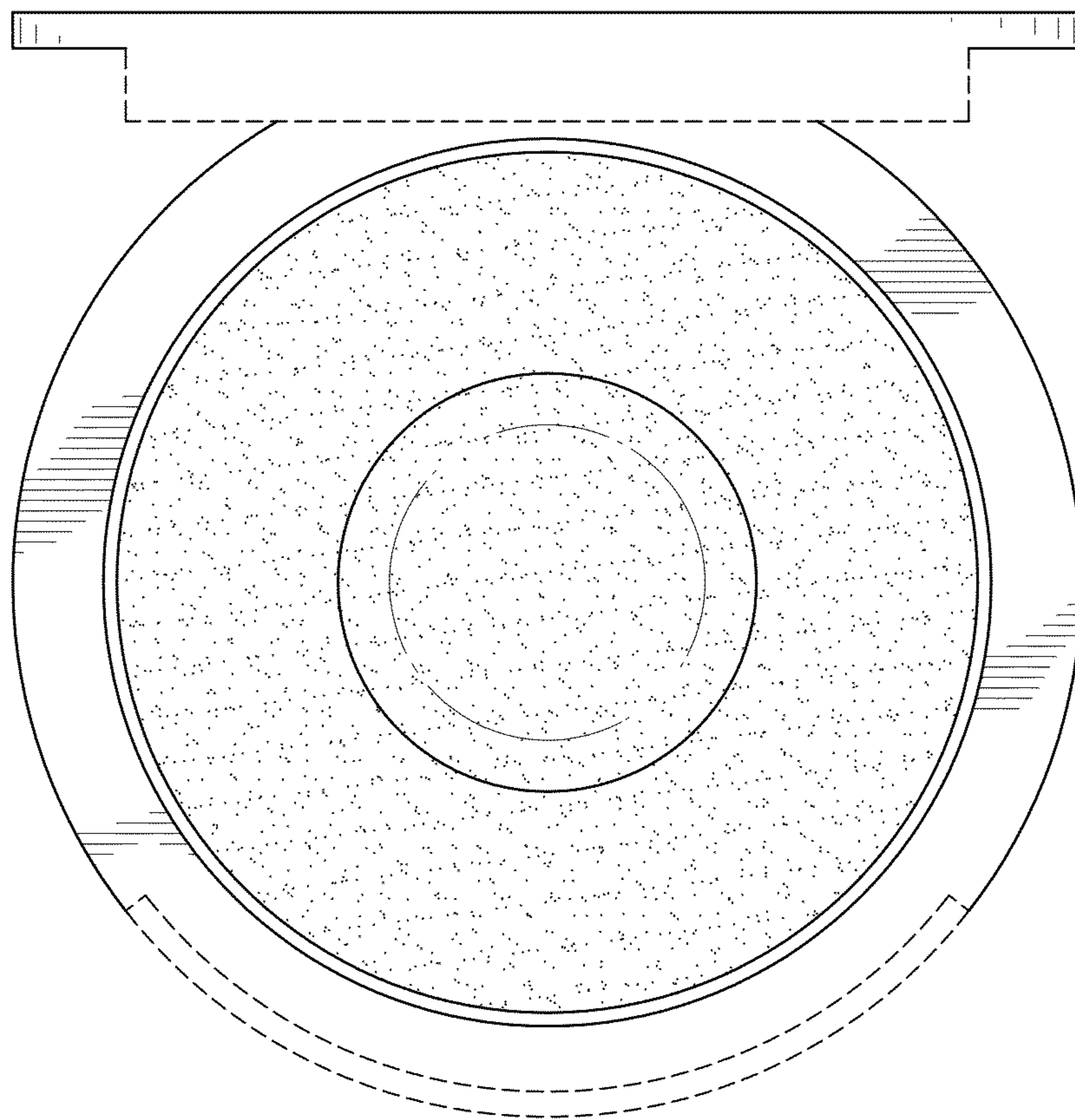


FIG. 13

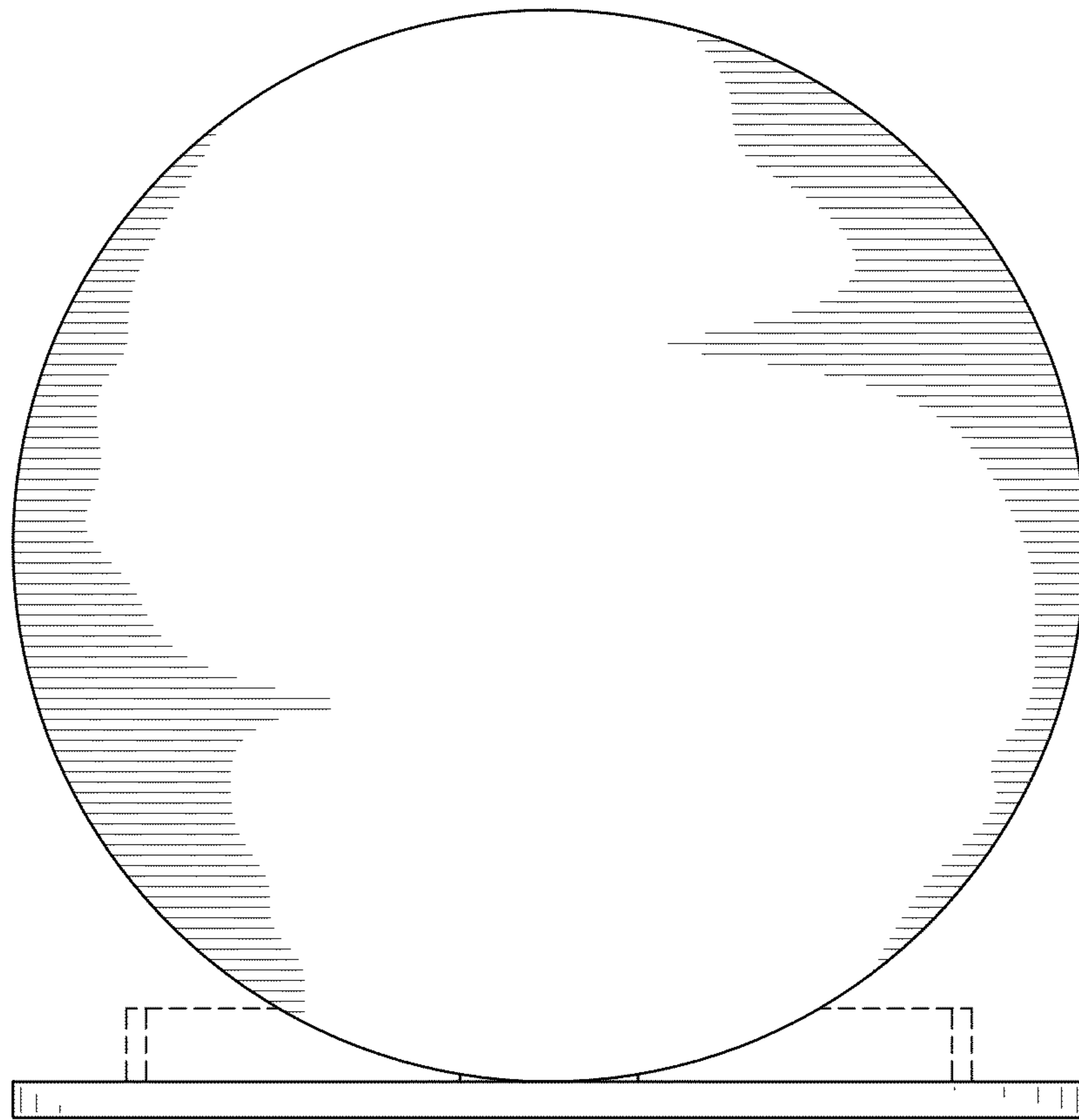


FIG. 14

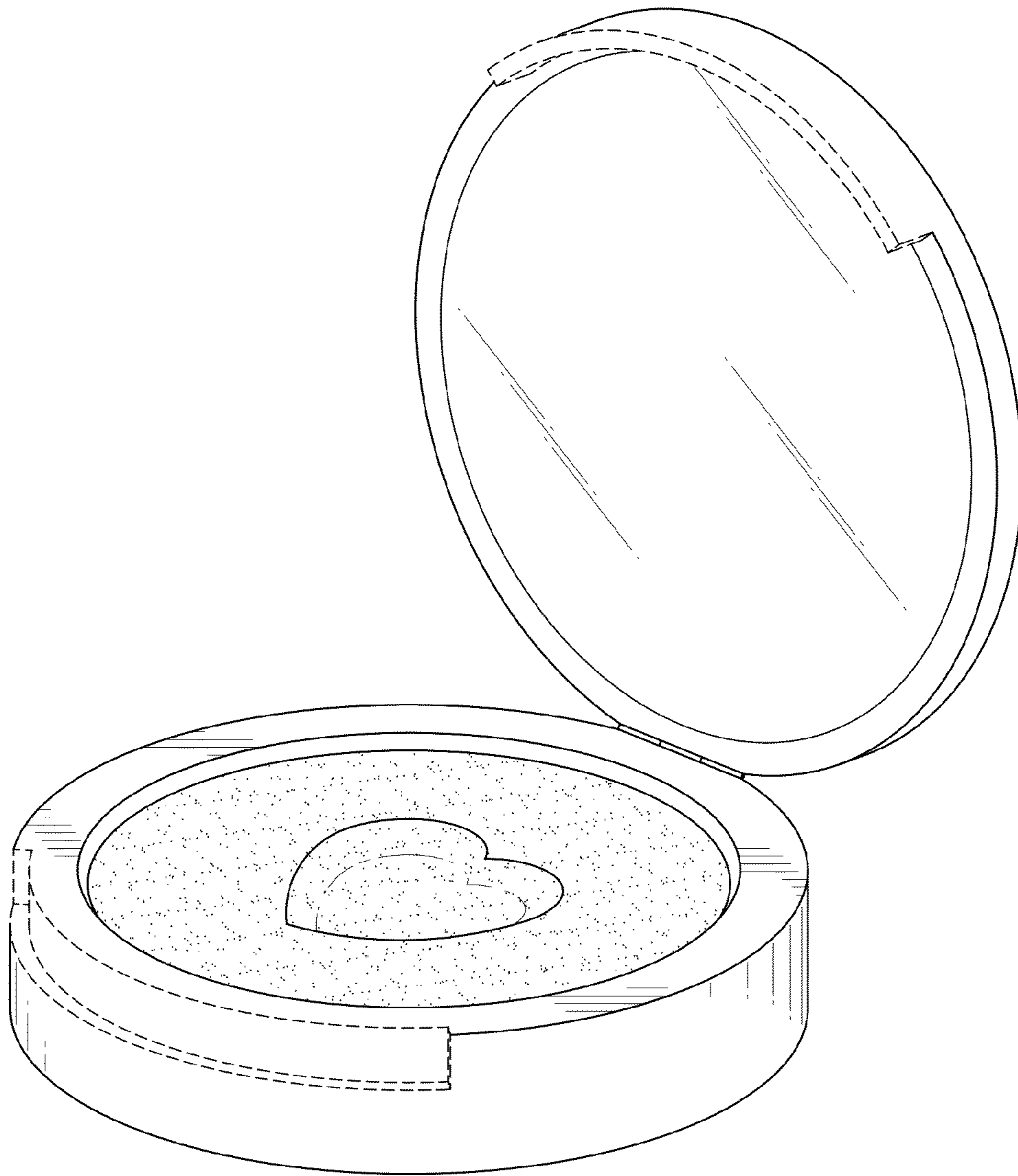


FIG. 15

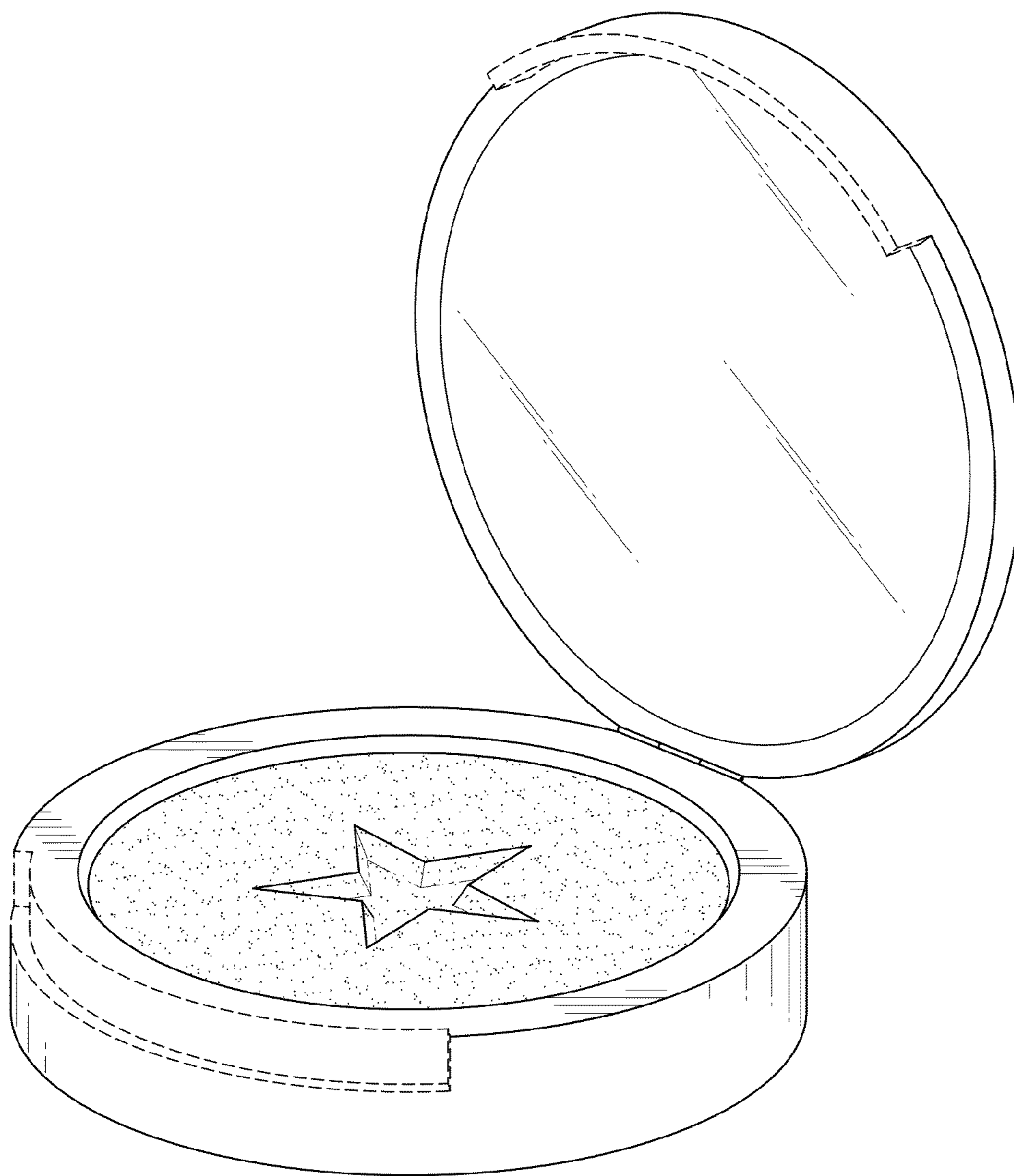


FIG. 16

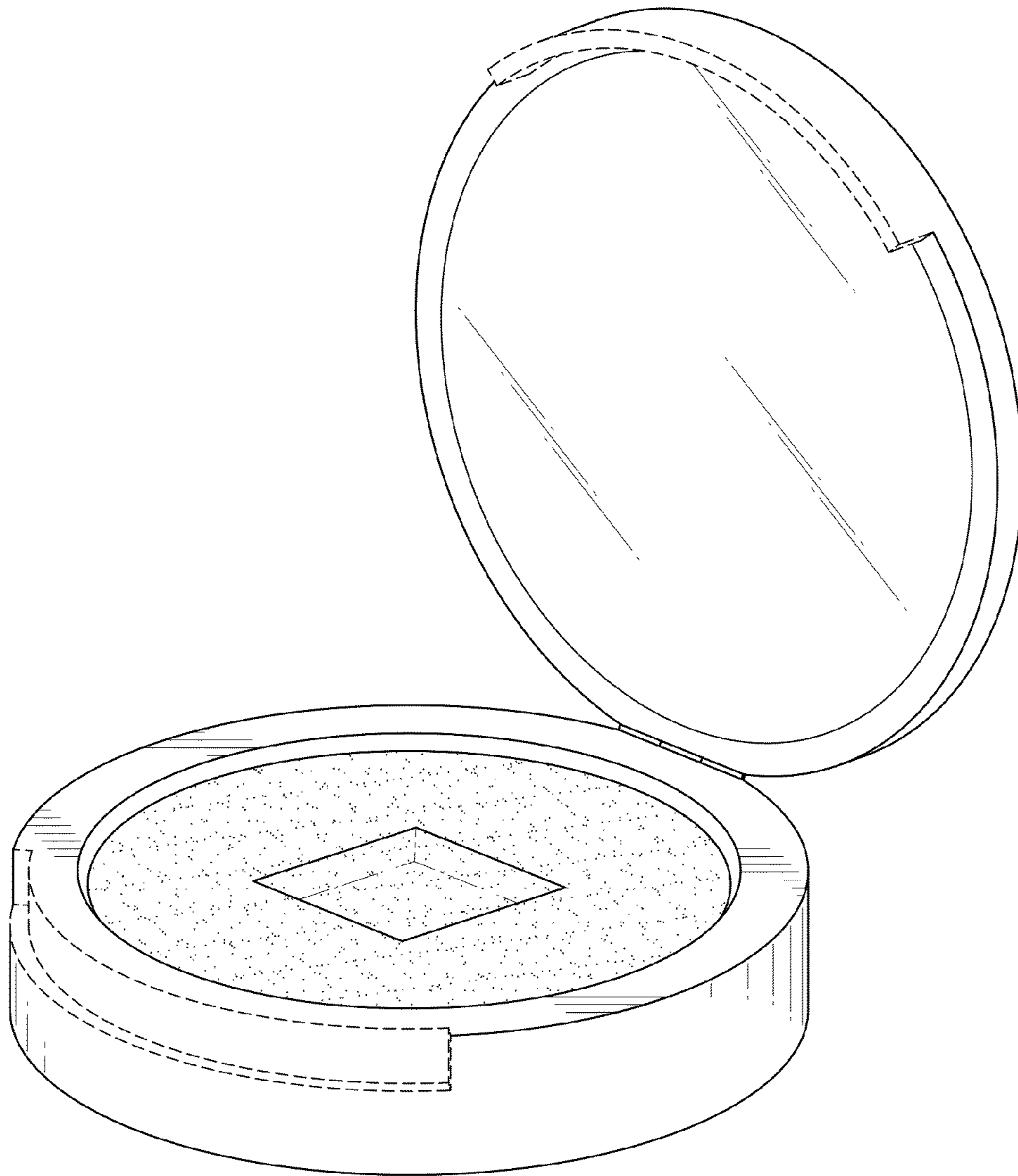


FIG. 17

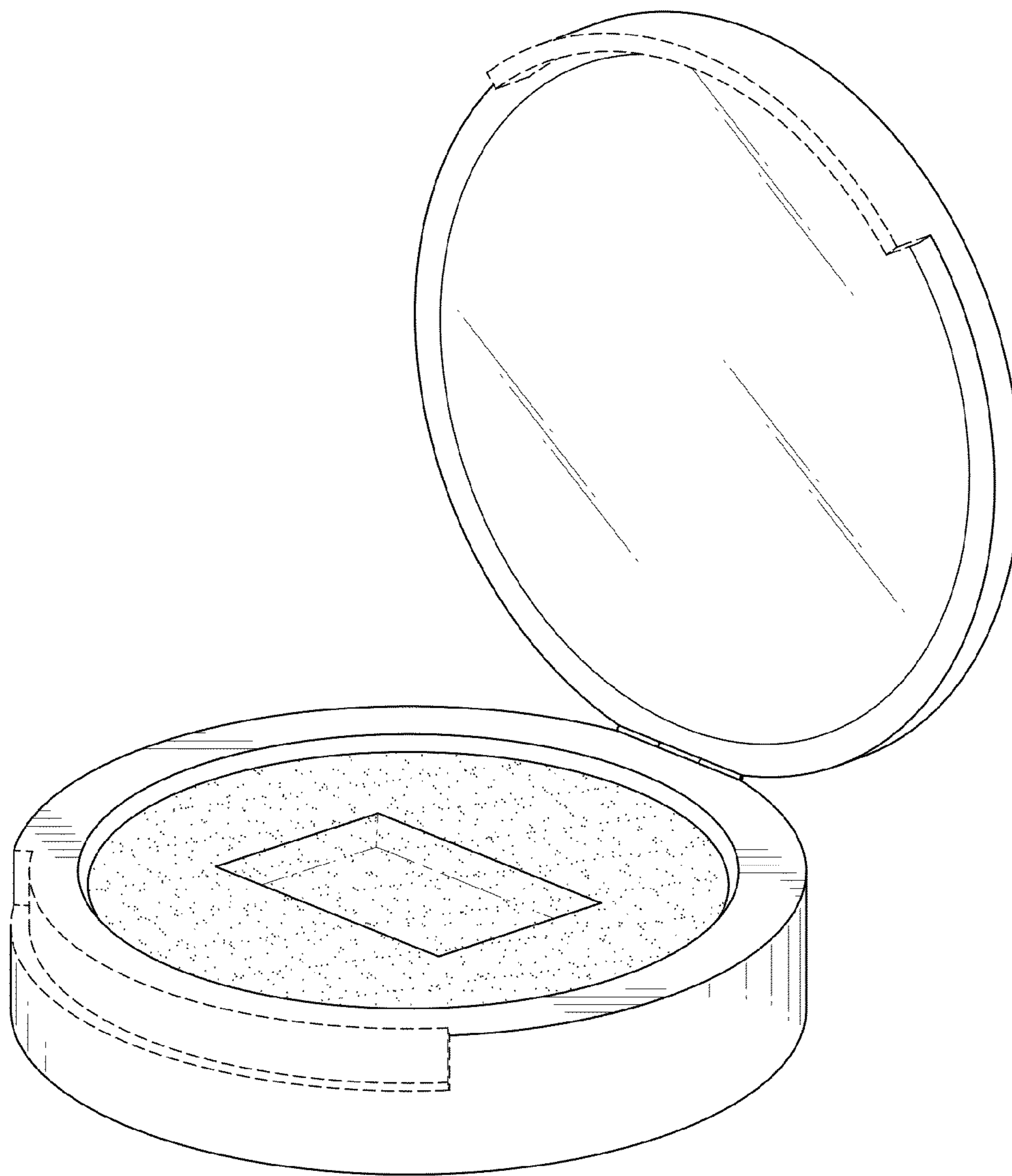


FIG. 18

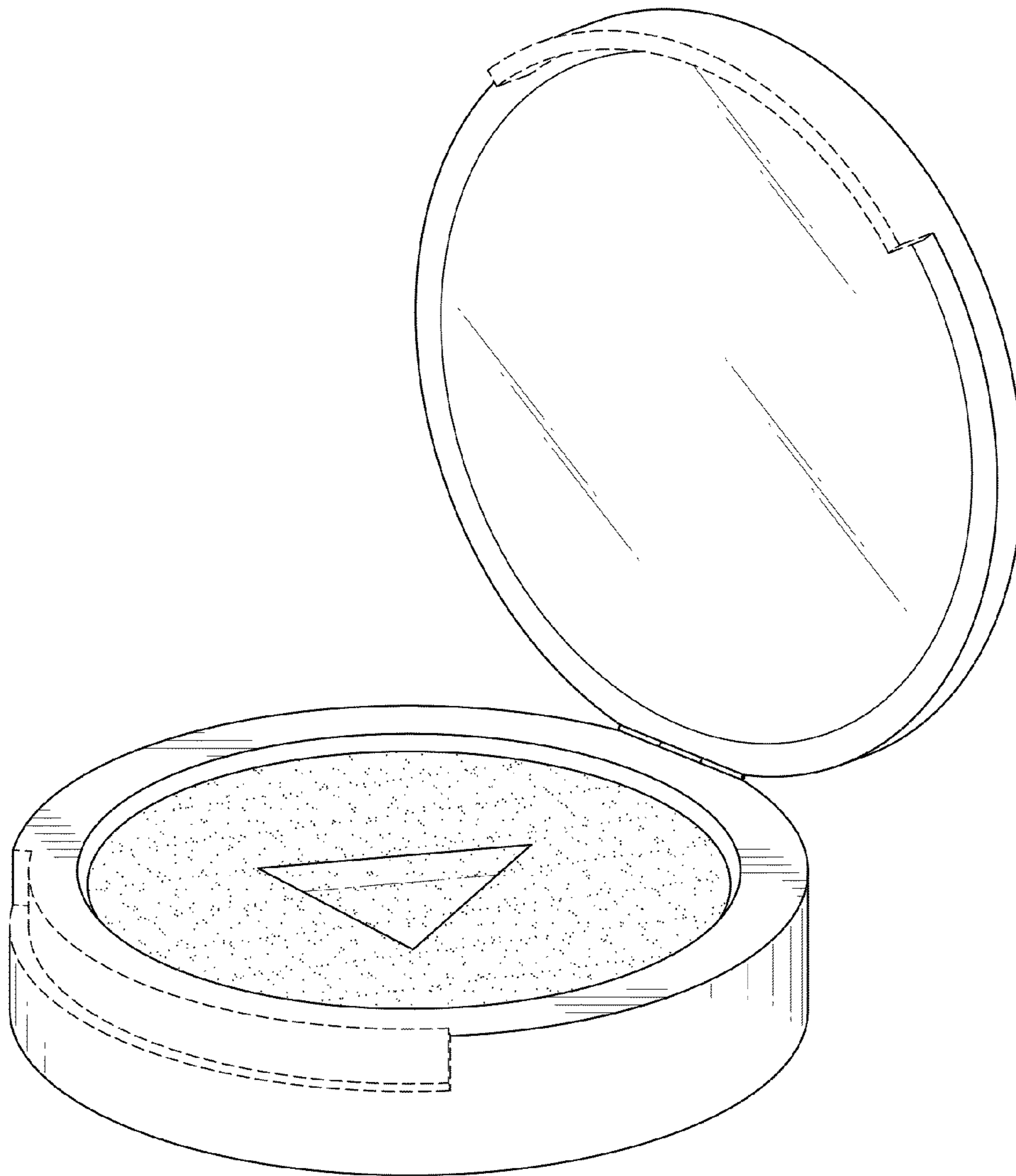


FIG. 19