



US00D746513S

(12) **United States Design Patent**
Monical et al.

(10) **Patent No.:** **US D746,513 S**

(45) **Date of Patent:** **** Dec. 29, 2015**

(54) **CONTAINER FOR COSMETICS WITH APPLICATOR**

(71) Applicants: **Benefit Cosmetics LLC**, San Francisco, CA (US); **TOKIWA CORPORATION**, Gifu (JP)

(72) Inventors: **David Monical**, San Francisco, CA (US); **Yoshikazu Tani**, Saitama (JP)

(73) Assignee: **Benefit Cosmetics LLC**, San Francisco, CA (US)

(**) Term: **14 Years**

(21) Appl. No.: **29/460,051**

(22) Filed: **Jul. 8, 2013**

(51) **LOC (10) Cl.** **28-03**

(52) **U.S. Cl.**
USPC **D28/7; D28/76**

(58) **Field of Classification Search**
USPC D28/76, 77, 7, 85, 4, 88, 86, 87, 89, 90; 132/318, 320, 317, 296, 294, 297, 315, 132/316; 401/68, 72, 88, 17, 19, 18
CPC A45D 40/06; A45D 40/00; A45D 34/06; A45D 34/045; A45D 34/042; A45D 40/24; A45D 2040/0018; A45D 42/02; A45D 40/20; A45D 40/262; A45D 40/265; A45D 40/267; A45D 40/268; A46B 2200/1053; A46B 2200/106

See application file for complete search history.

(56) **References Cited**

U.S. PATENT DOCUMENTS

5,097,853	A *	3/1992	Nehashi	132/320
D406,921	S *	3/1999	Roeder	D28/7
D507,679	S *	7/2005	Ashiwa et al.	D28/76
D554,291	S *	10/2007	Darnell et al.	D28/76
D567,669	S *	4/2008	Py et al.	D9/724
D596,351	S *	7/2009	Lee	D28/7
D653,805	S *	2/2012	Tani	D28/7

D693,059	S *	11/2013	Tani	D28/7
D693,226	S *	11/2013	Paschoal et al.	D9/529
D696,816	S *	12/2013	Kordulla et al.	D28/7
D705,993	S *	5/2014	Goswell	D28/76
2008/0296320	A1 *	12/2008	Kang	222/394
2012/0266907	A1 *	10/2012	Chan	132/218
2014/0328611	A1 *	11/2014	Ishida	401/184

* cited by examiner

Primary Examiner — Jennifer Rivard

Assistant Examiner — April Rivas

(74) *Attorney, Agent, or Firm* — Leydig, Voit & Mayer

(57) **CLAIM**

The ornamental design for a container for cosmetics with applicator, as shown and described.

DESCRIPTION

FIG. 1 is a front view of a container for cosmetics with applicator of the present invention.

FIG. 2 is a rear view of the container for cosmetics with applicator of FIG. 1.

FIG. 3 is a top plan view of the container for cosmetics with applicator of FIG. 1.

FIG. 4 is a bottom view of the container for cosmetics with applicator of FIG. 1.

FIG. 5 is a right side view of the container for cosmetics with applicator of FIG. 1.

FIG. 6 is a left side view of the container for cosmetics with applicator of FIG. 1.

FIG. 7 is a top perspective view of the container for cosmetics with applicator of FIG. 1.

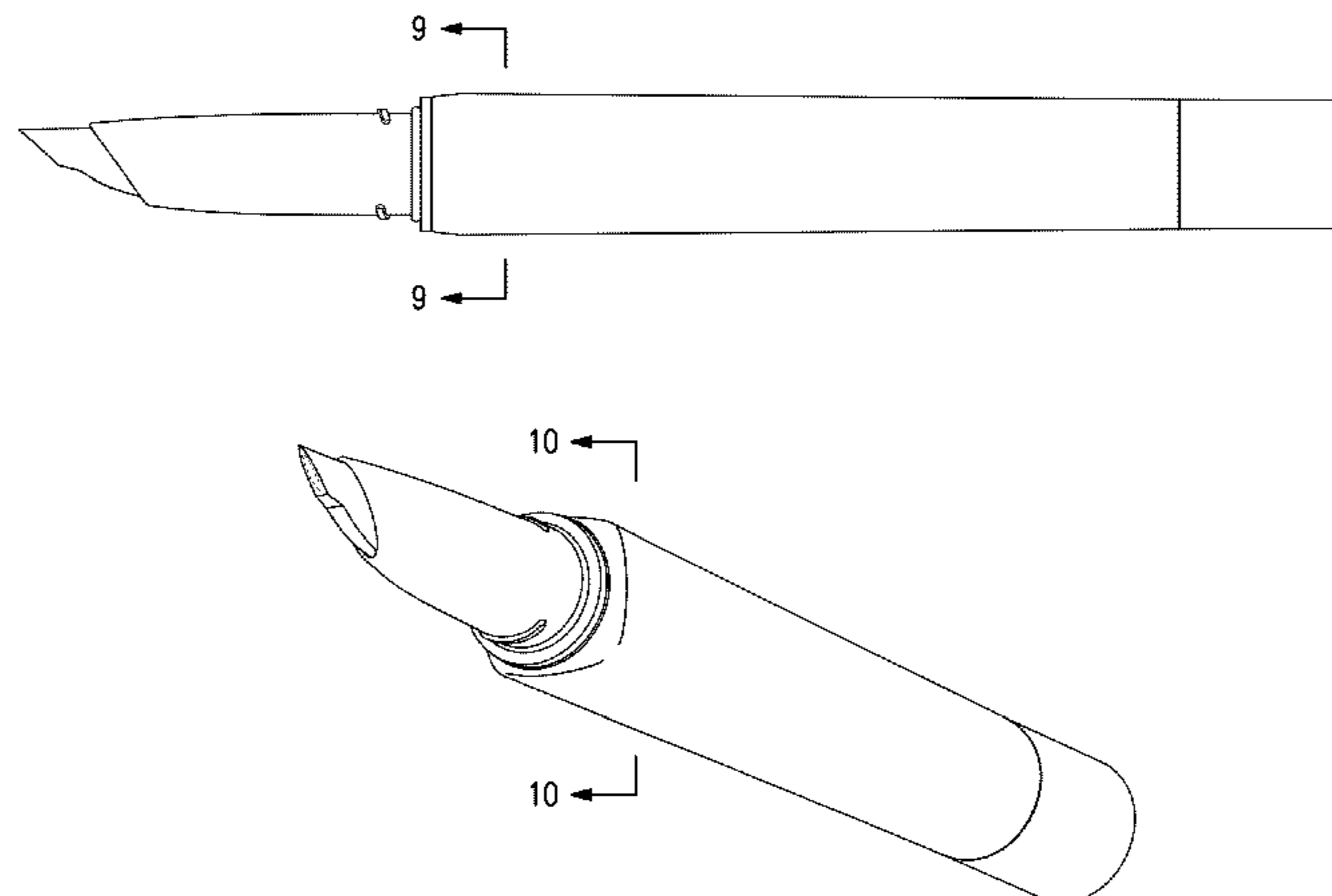
FIG. 8 is a bottom perspective view of the container for cosmetics with applicator of FIG. 1.

FIG. 9 is an enlarged front view of the container for cosmetics with applicator, taken along the line 9-9 of FIG. 1; and,

FIG. 10 is an enlarged bottom perspective view of the container for cosmetics with applicator, taken along the line 10-10 of FIG. 8.

The broken lines illustrate portions of the container for cosmetics with applicator and from no part of the claimed design.

1 Claim, 10 Drawing Sheets



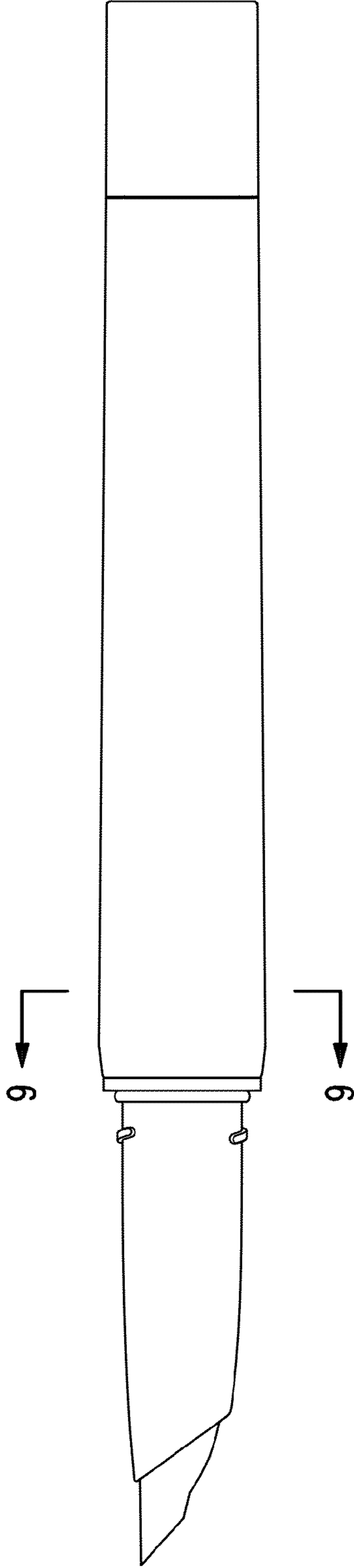


FIG. 1



FIG. 2

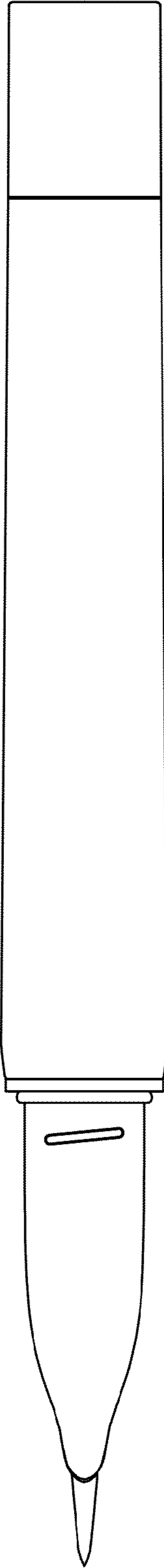


FIG. 3

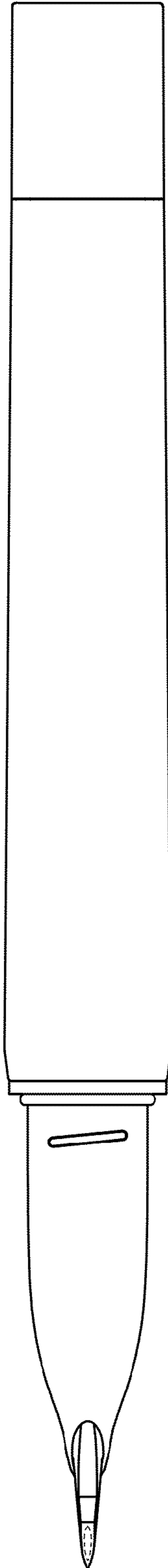


FIG. 4

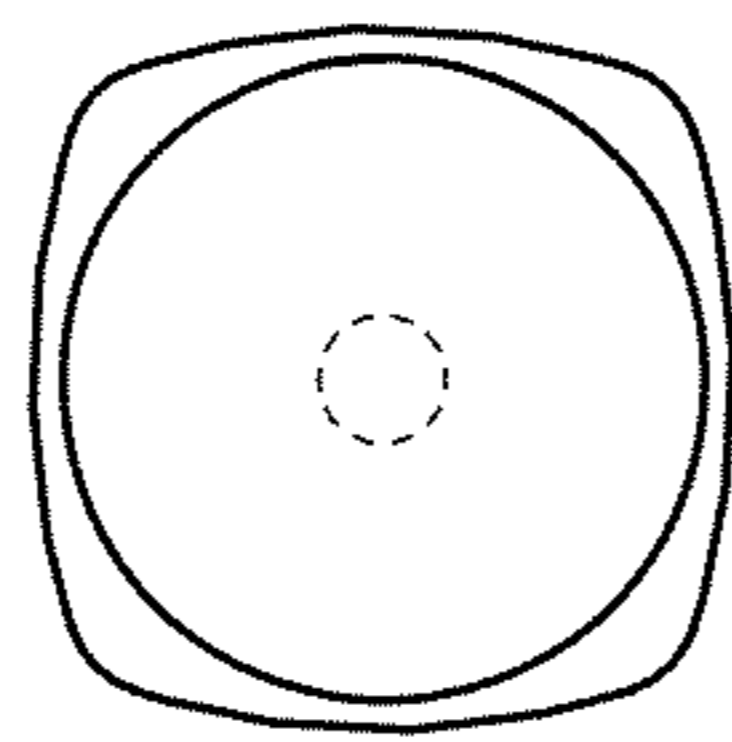


FIG. 5

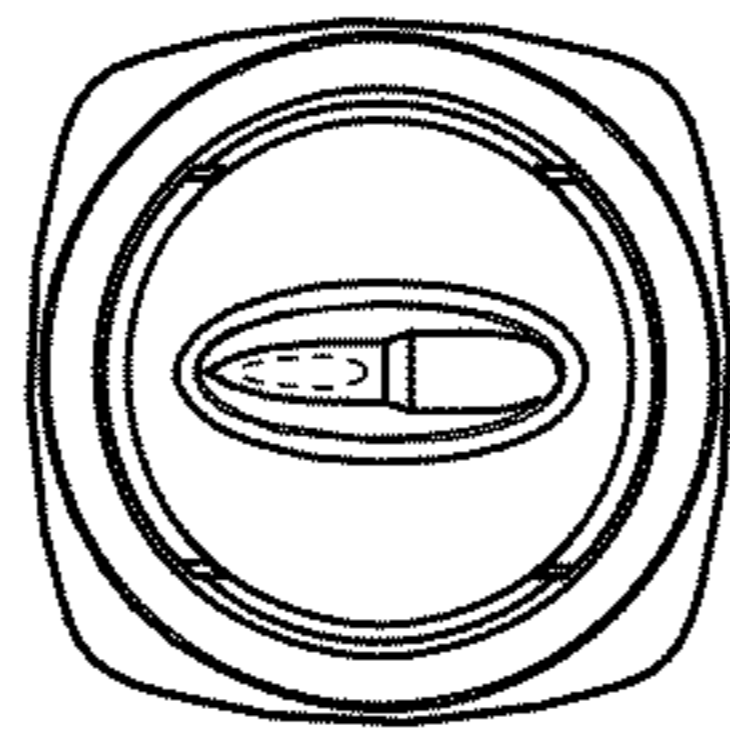


FIG. 6

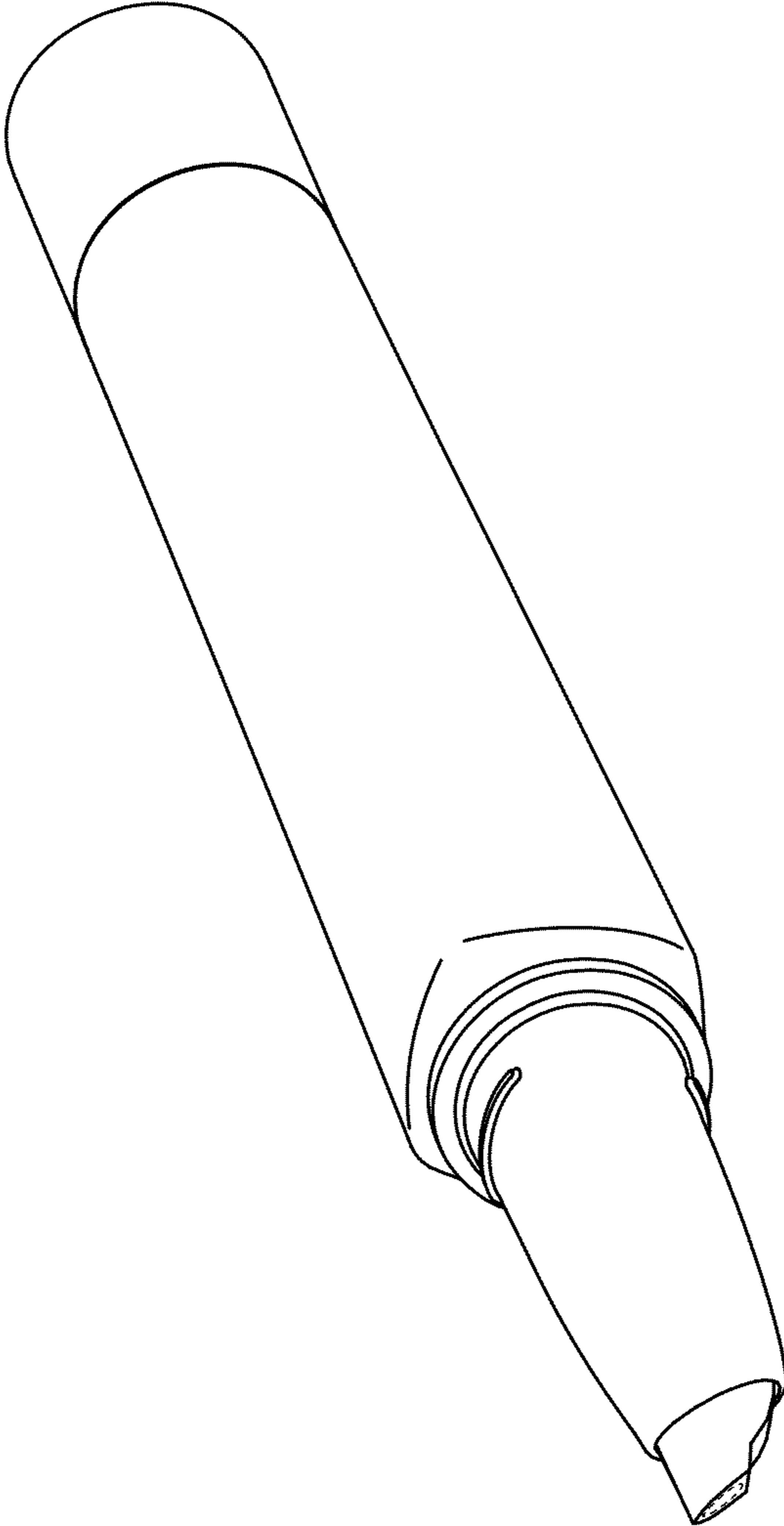


FIG. 7

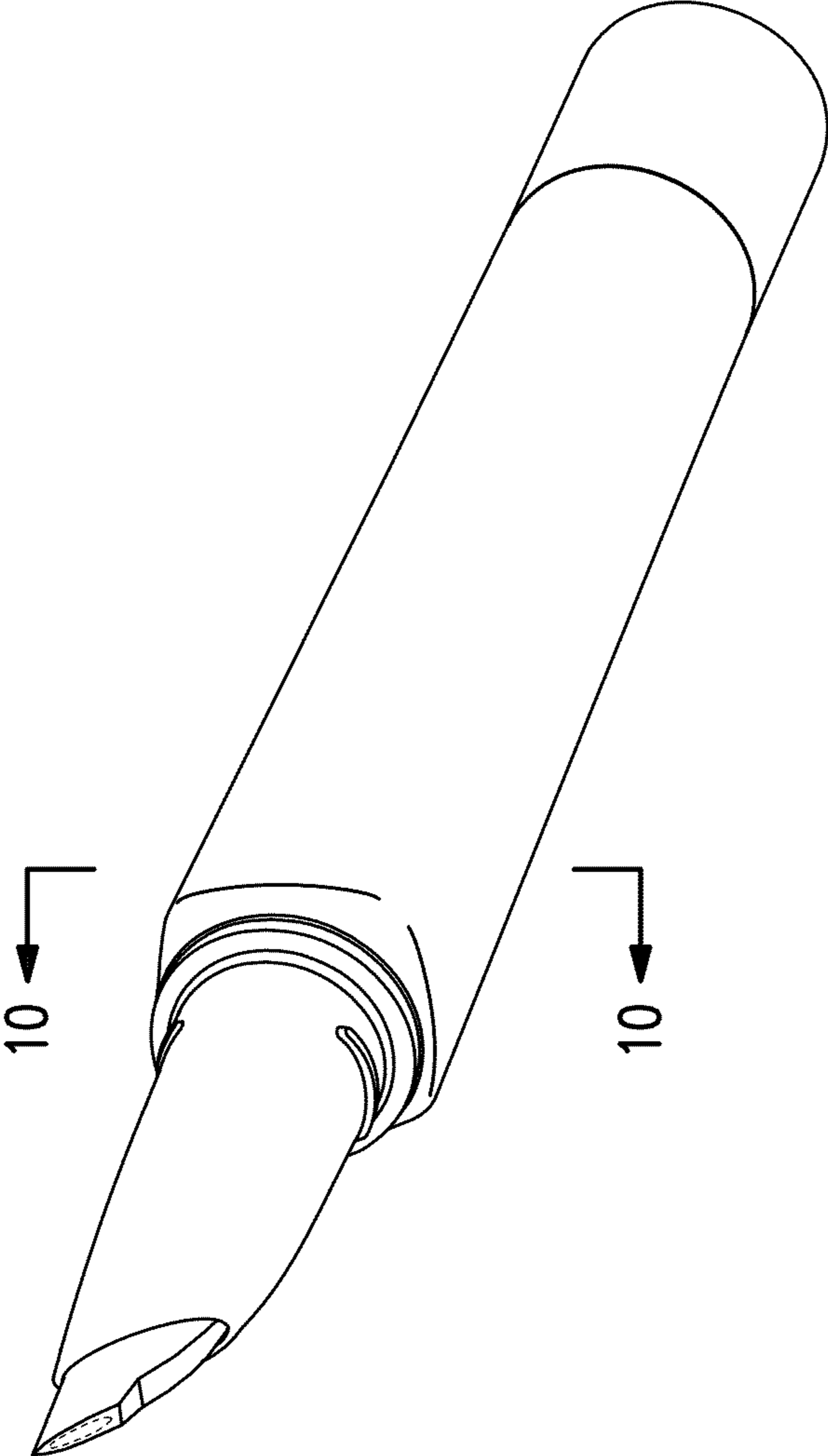


FIG. 8

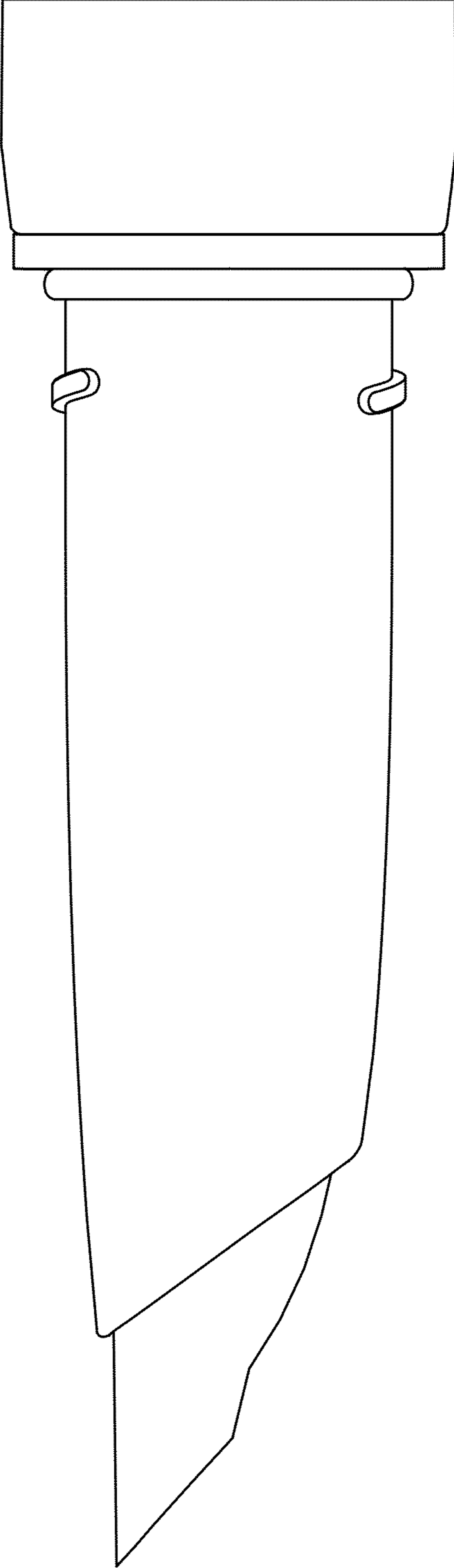


FIG. 9

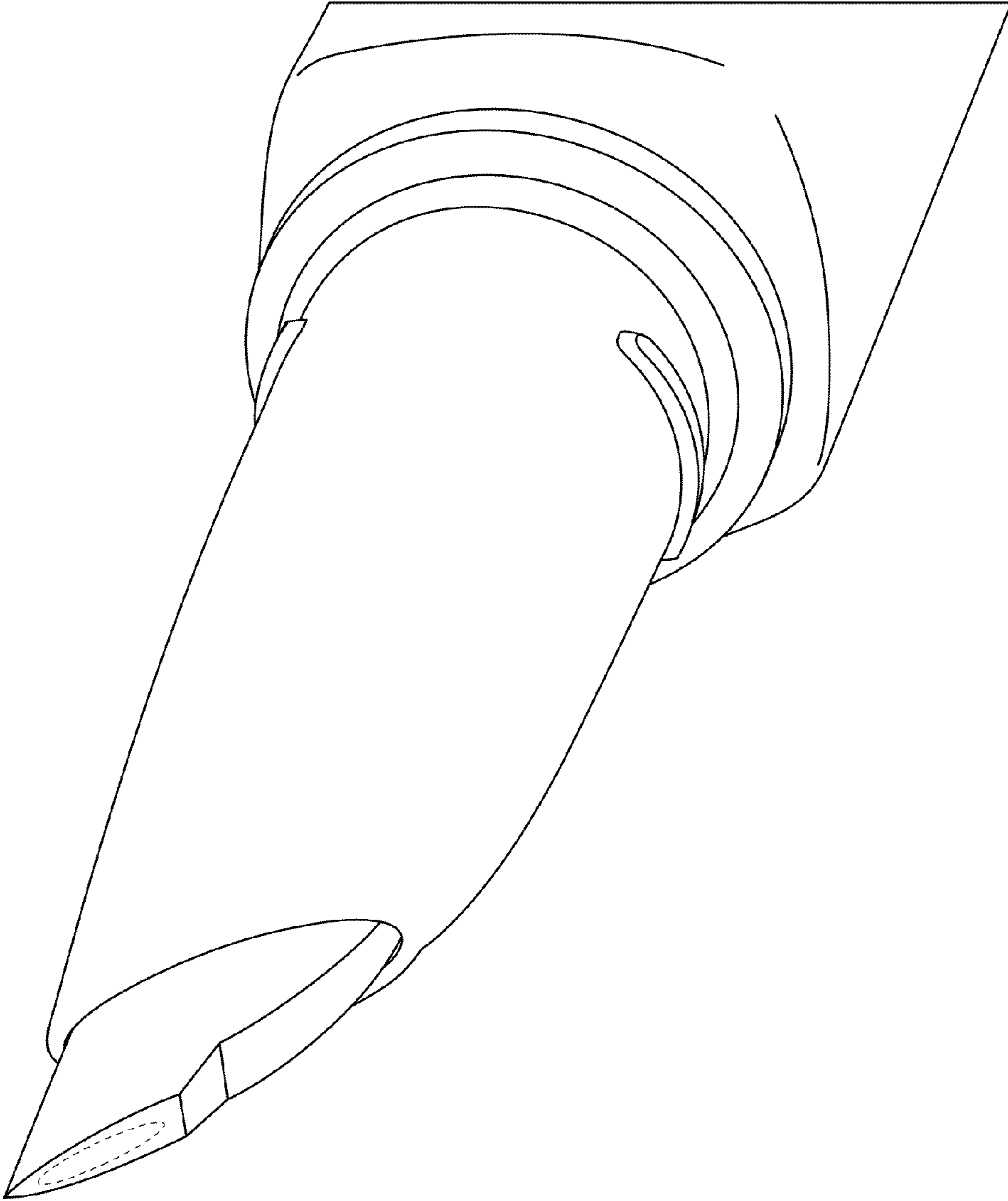


FIG. 10