



US00D746512S

(12) **United States Design Patent**  
**Sahni**

(10) **Patent No.:** **US D746,512 S**  
(45) **Date of Patent:** **\*\* Dec. 29, 2015**

(54) **GLIDER BOWL**

(71) Applicant: **Gary Sahni**, Duluth, GA (US)

(72) Inventor: **Gary Sahni**, Duluth, GA (US)

(\*\*) Term: **14 Years**

(21) Appl. No.: **29/499,434**

(22) Filed: **Aug. 14, 2014**

(51) **LOC (10) Cl.** ..... **27-02**

(52) **U.S. Cl.**  
USPC ..... **D27/162**

(58) **Field of Classification Search**  
USPC ..... D27/162-169; 131/173, 178, 214, 222,  
131/226, 329, 330; 215/370; D9/500, 516,  
D9/519, 557, 558; D23/360, 366; D7/503,  
D7/507  
CPC ..... A24F 1/00; A24F 1/30; A24F 1/32;  
A24F 3/00; A24F 5/00; A24F 7/00; A24F  
9/00; A24F 9/14

See application file for complete search history.

(56) **References Cited**

**U.S. PATENT DOCUMENTS**

2,143,027 A \* 1/1939 Joll ..... A47G 19/2261  
215/374  
D146,370 S \* 2/1947 Mooss ..... D7/503  
2,665,571 A \* 1/1954 Lohead ..... A47G 19/2261  
215/374  
3,117,579 A 1/1964 Alsafrana  
3,246,656 A 4/1966 Birch  
4,106,402 A \* 8/1978 Gevas ..... A47G 19/28  
30/120.1

D332,551 S \* 1/1993 Fields ..... D7/524  
D399,094 S \* 10/1998 Joergensen ..... D7/503  
D448,619 S \* 10/2001 Pau ..... D7/503  
D589,752 S \* 4/2009 Fetting ..... D7/510  
D595,968 S \* 7/2009 Korban ..... D6/349  
D618,389 S \* 6/2010 Masri ..... D27/162  
D670,094 S \* 11/2012 Prestandrea ..... D6/351  
8,783,265 B2 7/2014 Shakouri Moghadam  
D729,975 S \* 5/2015 Mehio ..... D27/162  
2007/0056599 A1 \* 3/2007 Zoumut ..... A24F 1/30  
131/329  
2007/0215164 A1 \* 9/2007 Mehio ..... A24F 1/30  
131/173  
2009/0178686 A1 \* 7/2009 Nefraoui ..... A24F 1/30  
131/173  
2011/0308537 A1 12/2011 Khoury et al.

\* cited by examiner

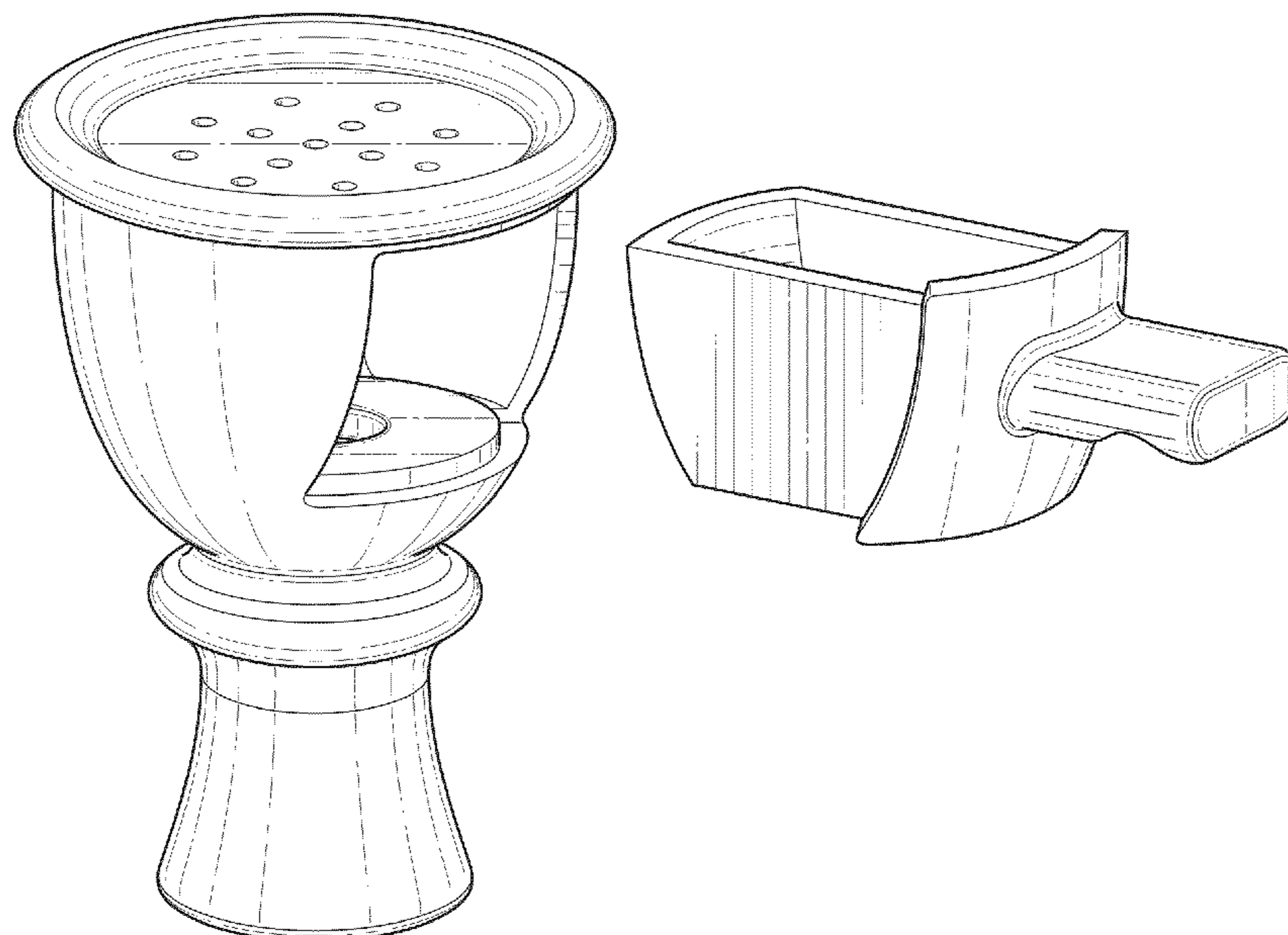
*Primary Examiner* — Elizabeth Albert

(57) **CLAIM**  
The ornamental design for a glider bowl, as shown and described.

**DESCRIPTION**

FIG. 1 is a front perspective view of a glider bowl showing the new design;  
FIG. 2 is a front perspective view of the glider bowl of FIG. 1 with the tray removed from the window;  
FIG. 3 is a front view of the glider bowl of FIG. 1;  
FIG. 4 is a right side view of the glider bowl of FIG. 1;  
FIG. 5 is a left side view of the glider bowl of FIG. 1;  
FIG. 6 is a rear view of the glider bowl of FIG. 1;  
FIG. 7 is a top view of the glider bowl of FIG. 1; and,  
FIG. 8 is a bottom view of the glider bowl of FIG. 1.

**1 Claim, 5 Drawing Sheets**



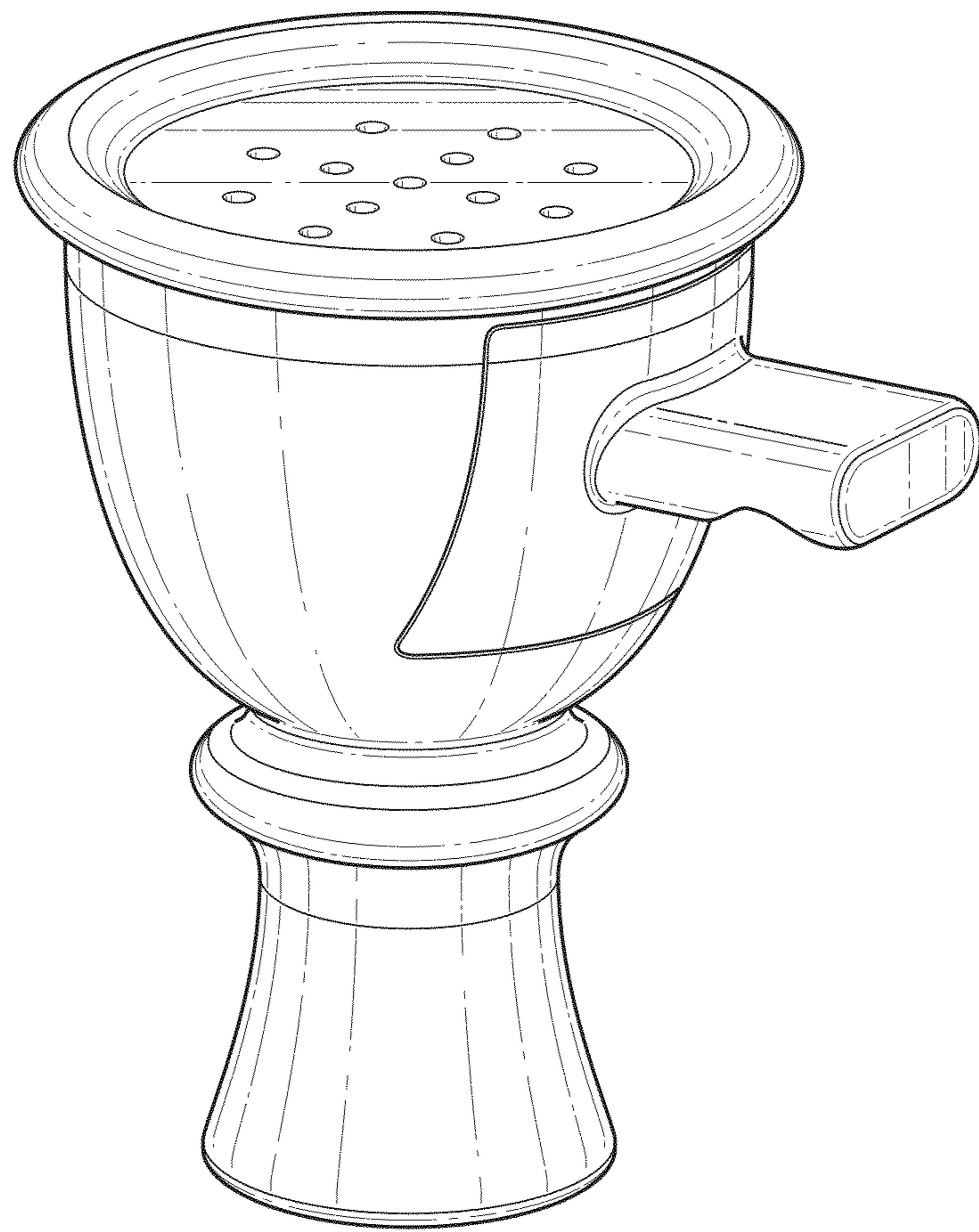


FIG. 1

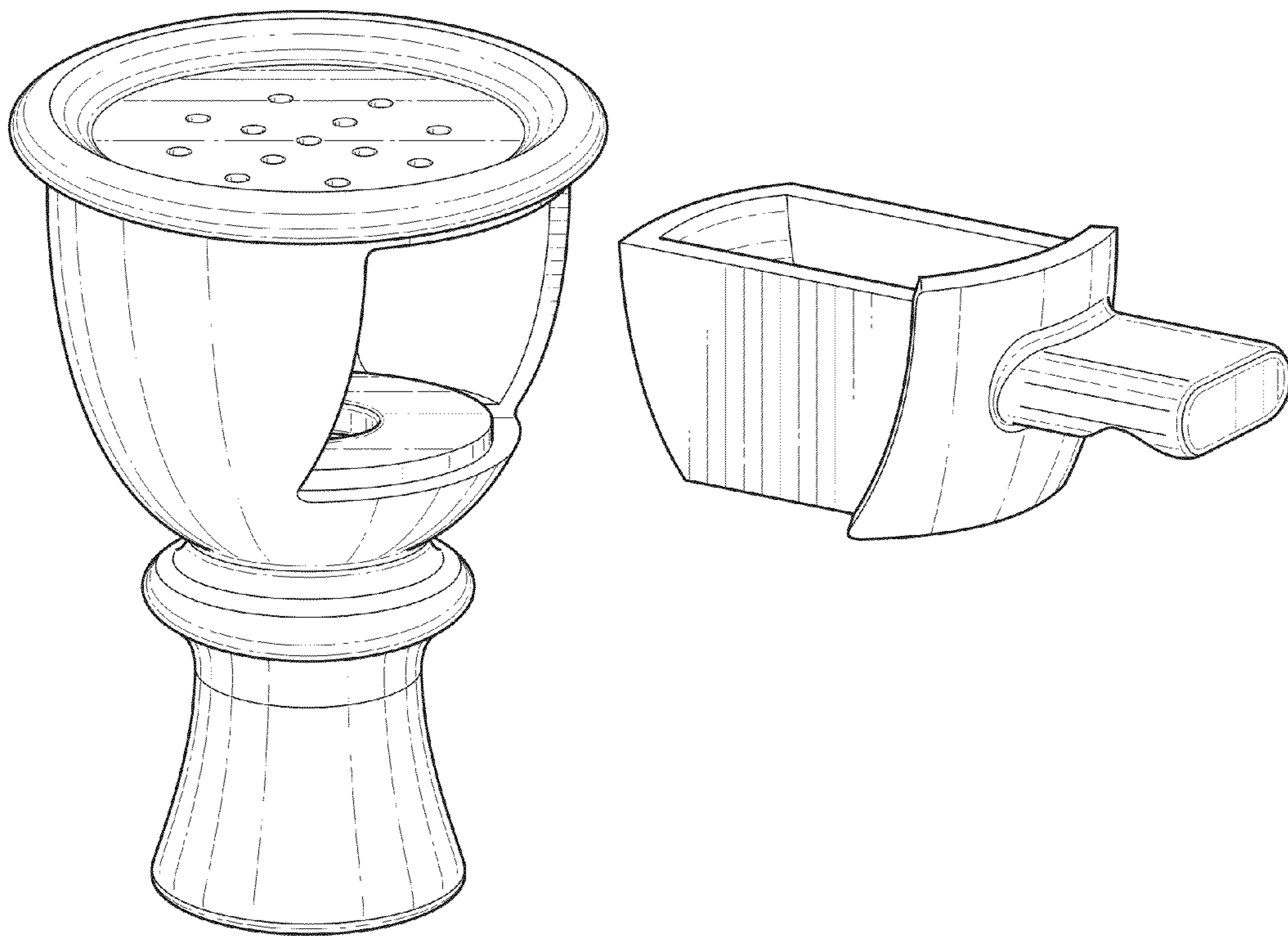
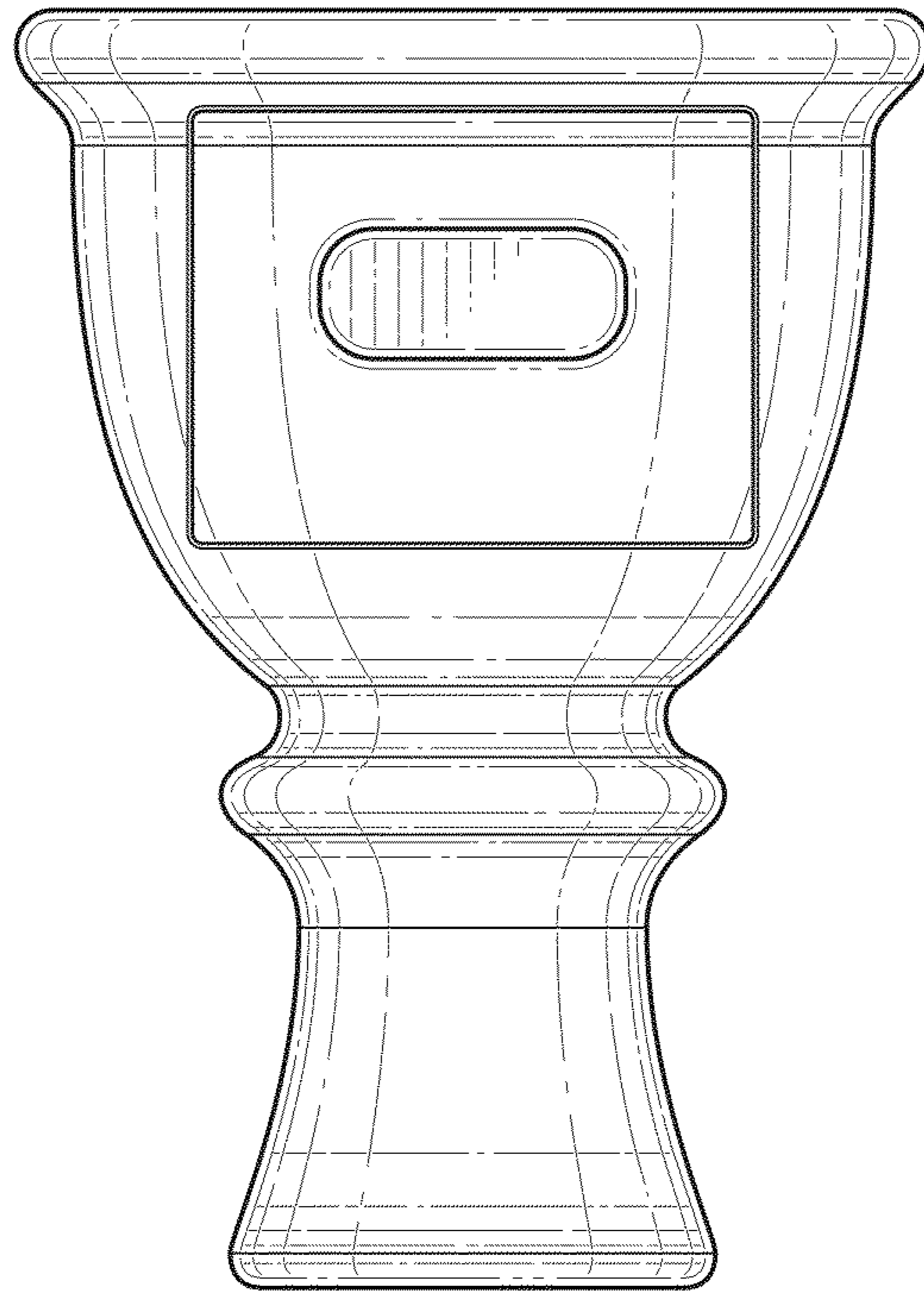
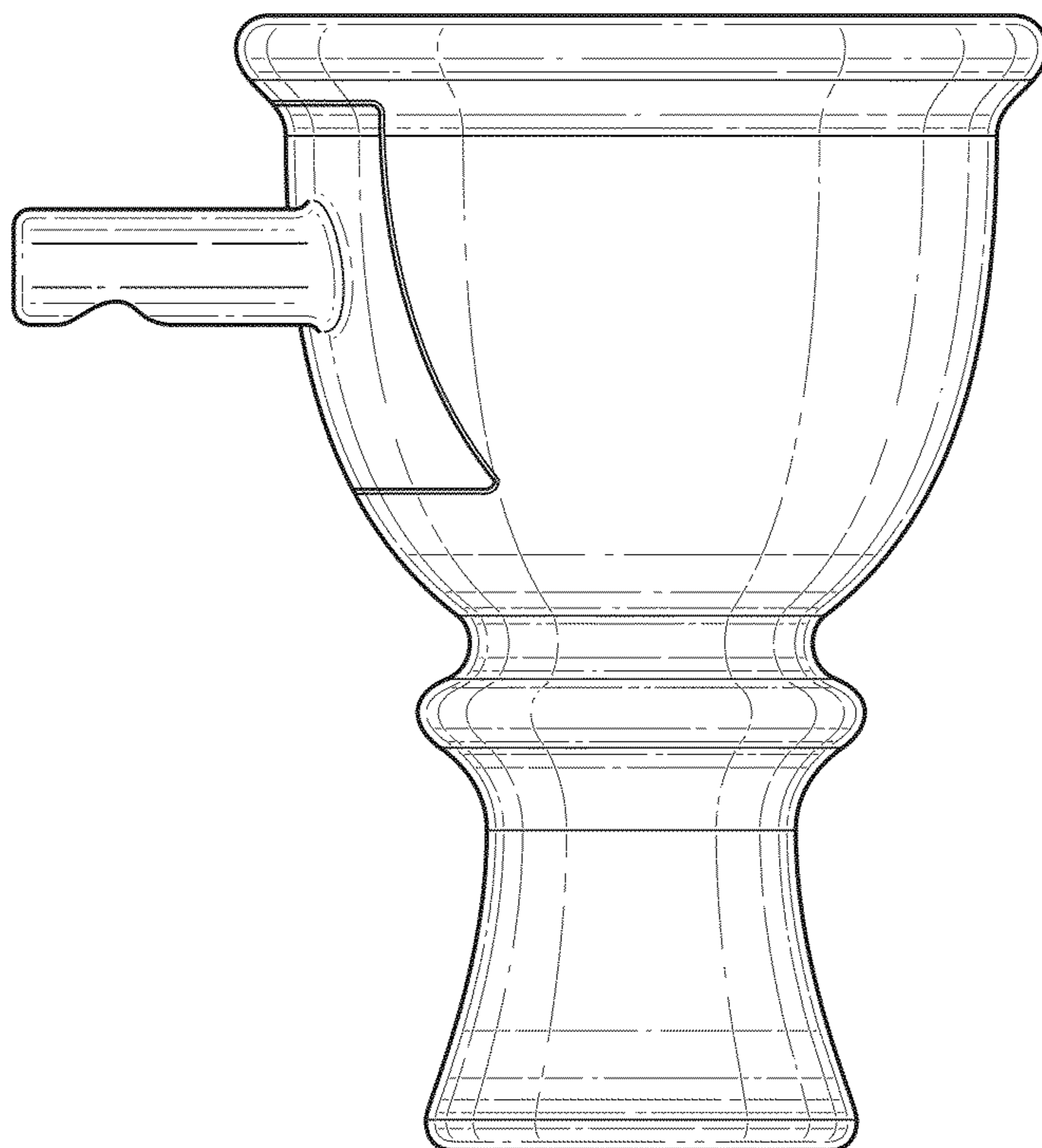


FIG. 2

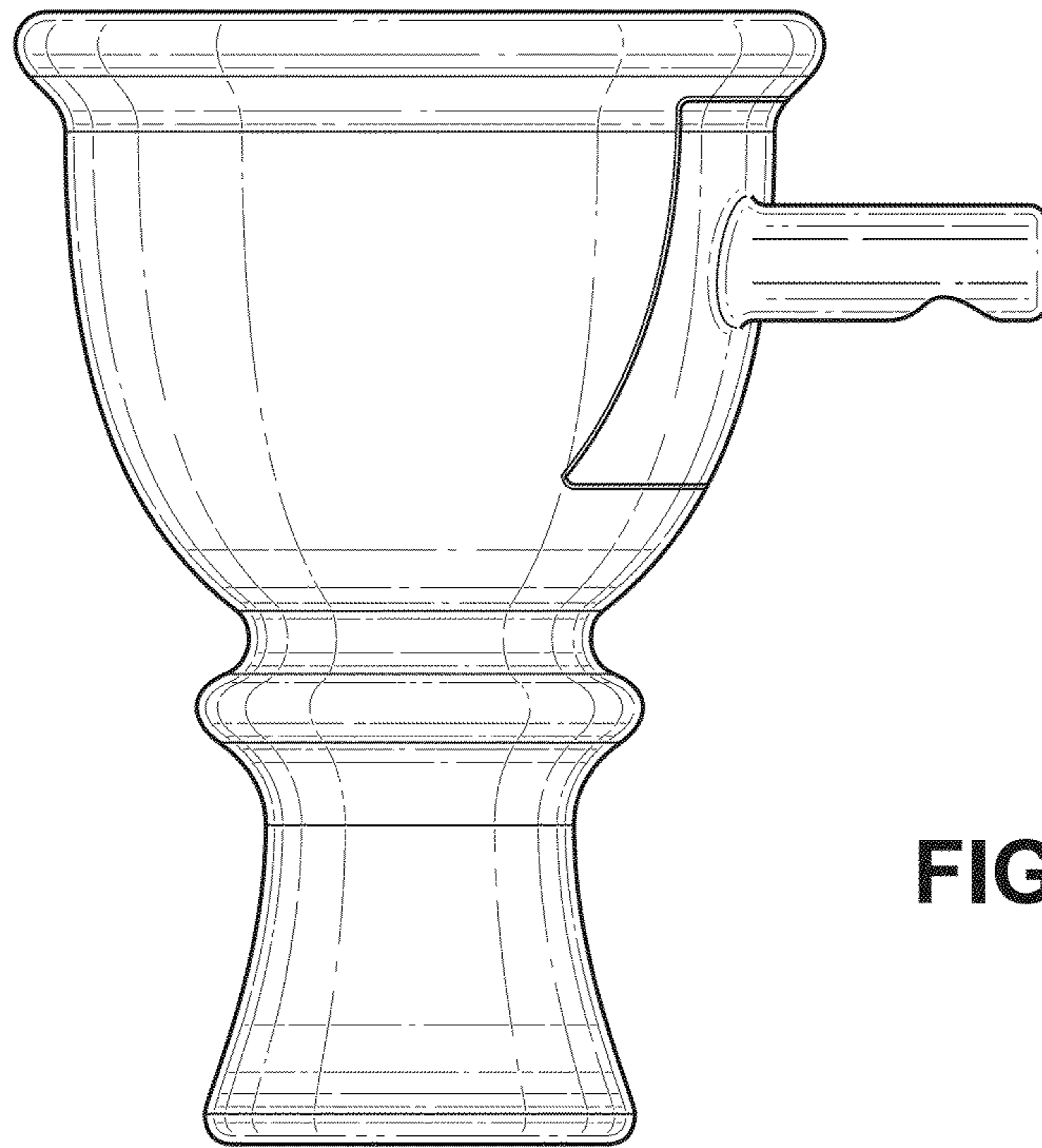


**FIG. 3**

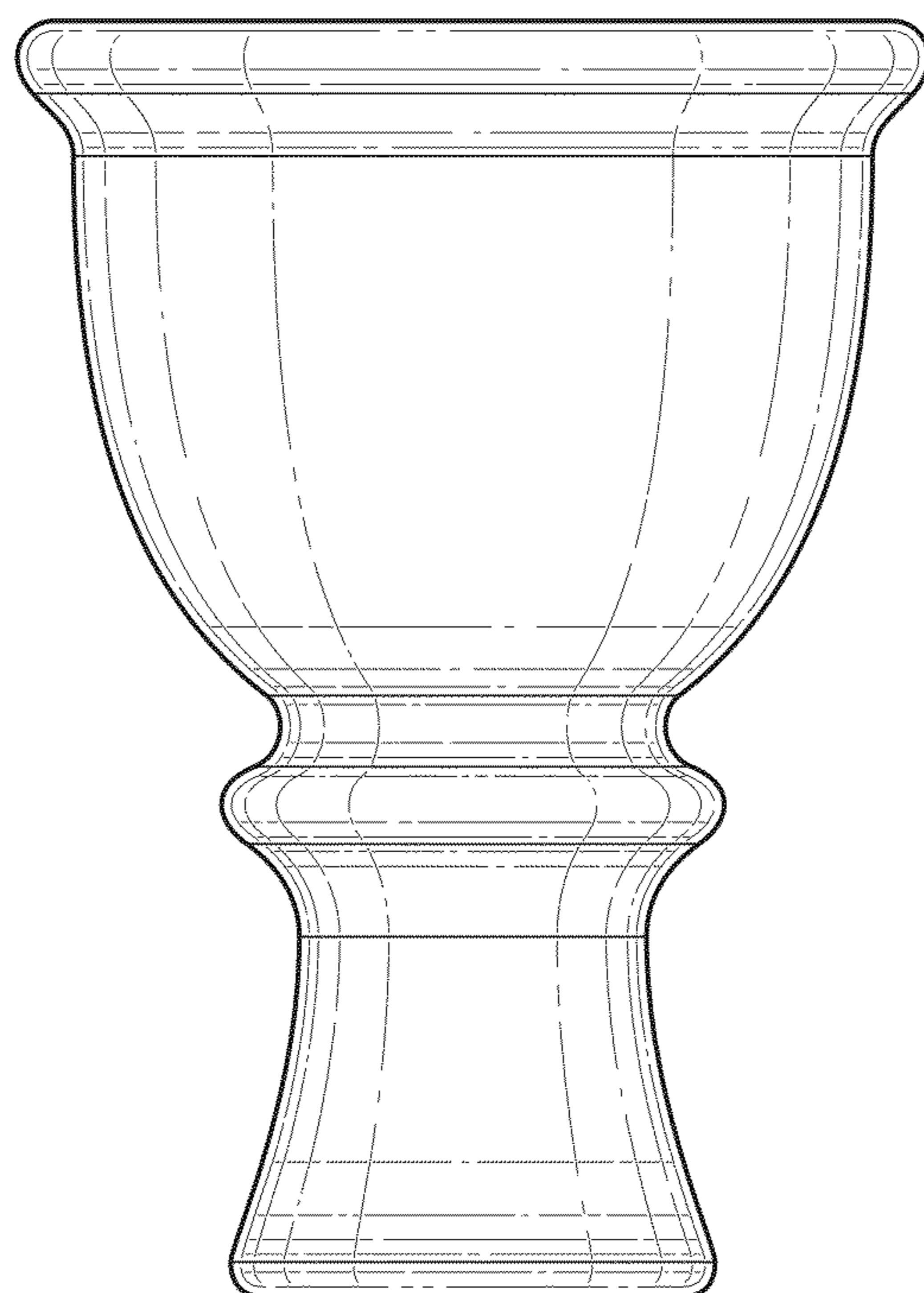


**FIG. 4**





**FIG. 5**



**FIG. 6**

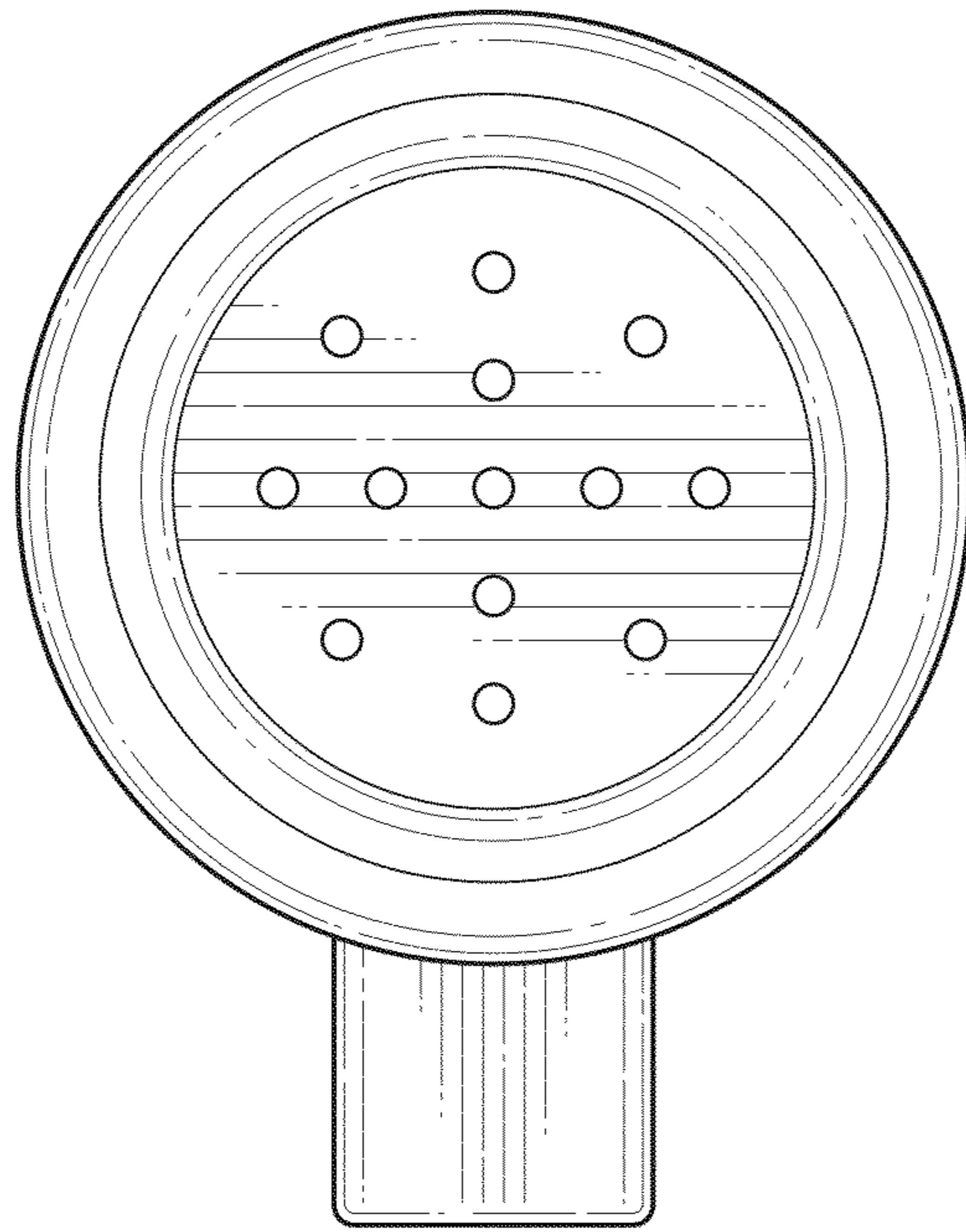


FIG. 7

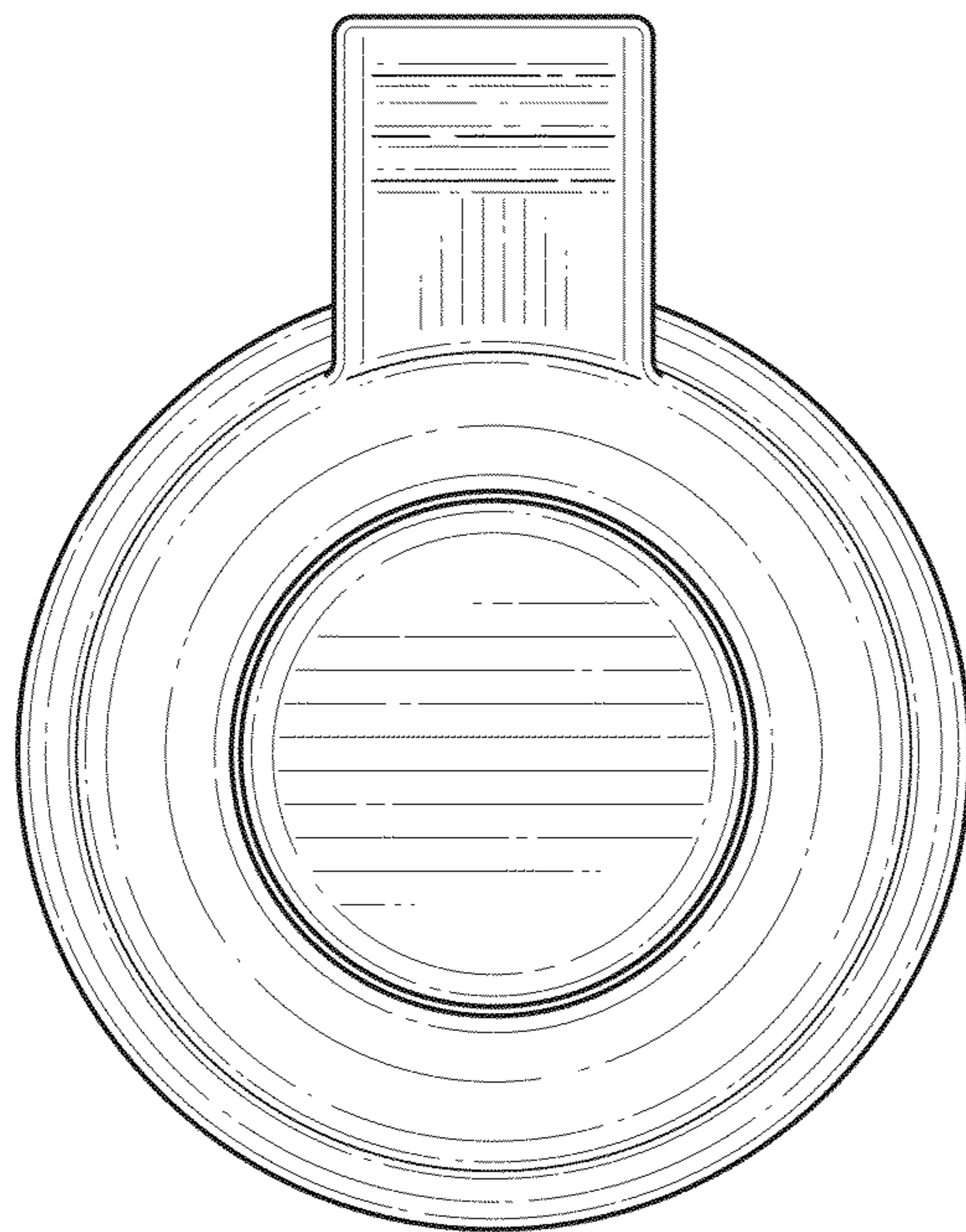


FIG. 8