



US00D746511S

(12) **United States Design Patent**
Gettings et al.

(10) **Patent No.:** **US D746,511 S**

(45) **Date of Patent:** **** Dec. 29, 2015**

- (54) **NIGHTLIGHT AND AIR SENSOR**
- (71) Applicant: **Leo, Inc.**, Palo Alto, CA (US)
- (72) Inventors: **Adam M. Gettings**, Red Wing, MN (US); **Victoria Slaker**, San Francisco, CA (US); **Bengt Brummer**, San Francisco, CA (US)
- (73) Assignee: **Leo, Inc.**, Palo Alto, CA (US)
- (**) Term: **14 Years**
- (21) Appl. No.: **29/483,641**
- (22) Filed: **Feb. 28, 2014**
- (51) **LOC (10) Cl.** **26-99**
- (52) **U.S. Cl.**
USPC **D26/152**; D26/135
- (58) **Field of Classification Search**
USPC D26/9, 10, 12, 13, 15, 16, 24, 51, 61, D26/72, 76, 80, 81, 85, 86, 88, 90, 113, 118, D26/119, 120, 122, 128, 129, 135, 138, 143, D26/144; D13/180; D10/52
CPC F21S 8/026; F21S 8/04; F21V 29/004; F21V 21/02; F21V 29/2212; F21V 21/04; F21Y 2101/02; G01N 2201/12707; G01N 33/0075; G01N 33/0021; G01N 29/27; G01N 29/26; G01N 27/9033; G01N 27/404; G01N 2021/458; G01N 27/4078; G01N 27/4071; G01N 27/4145; G01N 27/225; G01N 27/414; G01N 27/227; G01N 27/129; G01N 2021/7793; G01N 2021/7769; G01N 2021/7756; G01N 2021/4716; G01R 33/1269
See application file for complete search history.

- D150,357 S * 7/1948 Herbst D23/390
- D152,806 S * 2/1949 Klien D26/63
- 3,476,670 A * 11/1969 Weiner 204/403.06
- D309,786 S * 8/1990 Chien D26/67
- D325,789 S * 4/1992 Atkinson D26/63
- D346,239 S * 4/1994 Vamberszky et al. D26/118
- D349,777 S * 8/1994 Kelly et al. D26/63
- D355,723 S * 2/1995 Roos et al. D26/63
- D378,435 S * 3/1997 Trombley D26/68

(Continued)

OTHER PUBLICATIONS

Leviton Ivory Plug-In Light Socket Outlet Adapter Plug, image post date Sep. 11, 2010, site visited Aug. 4, 2015, (online), <<http://www.amazon.com/Leviton-Plug-In-Socket-Outlet-Adapter/dp/B000VL4CFC>>.*

Primary Examiner — Kevin Rudzinski
Assistant Examiner — Sean D Lough
(74) *Attorney, Agent, or Firm* — Hudak Consulting Group, LLC

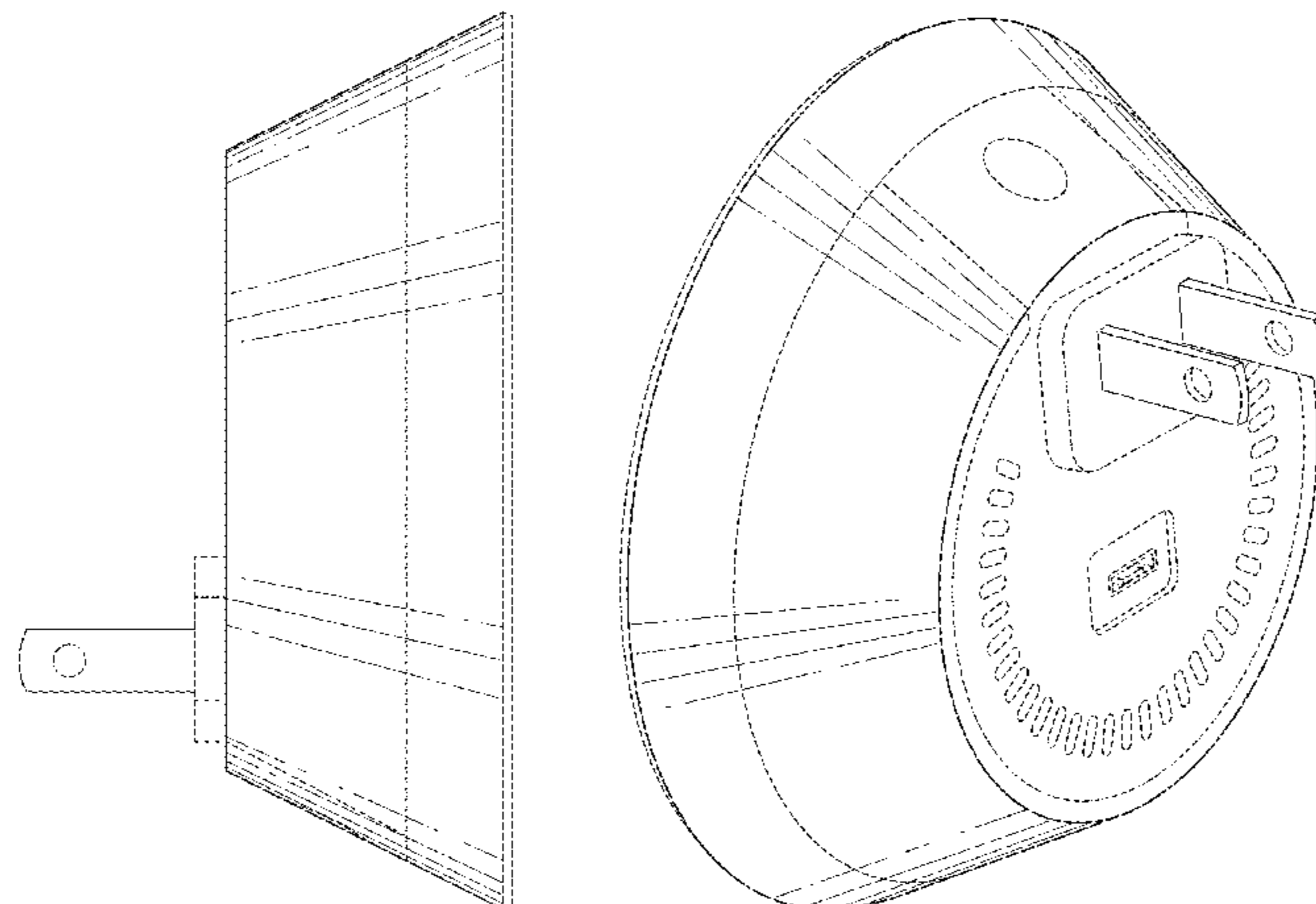
(57) **CLAIM**
The ornamental design for a nightlight and air sensor, as shown and described.

DESCRIPTION

FIG. 1 is a front side perspective view of a nightlight and air sensor;
FIG. 2 is a bottom view thereof;
FIG. 3 is a left side elevation view thereof;
FIG. 4 is a rear elevation view thereof;
FIG. 5 is a front bottom perspective view thereof;
FIG. 6 is a right side elevation view thereof;
FIG. 7 is a front elevation view thereof;
FIG. 8 is a top elevation view thereof;
FIG. 9 is a rear bottom perspective view thereof;
FIG. 10 is a rear top perspective view thereof; and,
FIG. 11 is a rear bottom perspective view thereof.
All features illustrated in phantom line are expressly disclaimed and form no part of the claimed.

1 Claim, 11 Drawing Sheets

- (56) **References Cited**
U.S. PATENT DOCUMENTS
2,284,376 A * 5/1942 De Reamer et al. 439/239
2,292,051 A * 8/1942 Chirelstein 439/241
2,336,588 A * 12/1943 Bixby 439/232
2,380,211 A * 7/1945 Biller 439/241



(56)

References Cited

U.S. PATENT DOCUMENTS

D407,518 S *	3/1999	Yeh	D26/63	D616,129 S *	5/2010	Sanoner	D26/67
D419,716 S *	1/2000	Parrochia	D26/118	D627,635 S *	11/2010	Krupa	D9/429
6,234,649 B1 *	5/2001	Katougi	362/248	D653,383 S *	1/2012	Parker et al.	D26/118
D469,562 S *	1/2003	Crasset	D26/90	D654,610 S *	2/2012	Chen	D26/68
D472,669 S *	4/2003	Homann	D26/118	D659,886 S *	5/2012	Wauters	D26/90
6,795,994 B1 *	9/2004	Nahoom	15/29	D664,287 S *	7/2012	Cegnar	D26/128
6,926,242 B2 *	8/2005	Hall	248/230.4	D672,490 S *	12/2012	Connolly et al.	D26/68
D513,079 S *	12/2005	Kluijfhout et al.	D26/3	D676,191 S *	2/2013	Barrett	D26/141
D514,516 S *	2/2006	Wiskerke	D13/134	D676,598 S *	2/2013	Davidson	D26/138
D518,209 S *	3/2006	Nagano et al.	D26/39	D676,995 S *	2/2013	Ho et al.	D26/67
D518,210 S *	3/2006	Nagano et al.	D26/39	8,452,255 B2 *	5/2013	Orth	455/343.5
D557,842 S *	12/2007	Lee	D26/39	D686,364 S *	7/2013	Liu	D26/120
D562,486 S *	2/2008	Luke	D26/61	8,513,029 B2 *	8/2013	Zhou	436/518
7,528,599 B2 *	5/2009	Zimmerman	324/242	D698,066 S *	1/2014	Sooferian	D26/68
D603,086 S *	10/2009	Zayas	D26/113	D708,777 S *	7/2014	Delcotto et al.	D26/116
					D717,359 S *	11/2014	Fong	D16/237
					D734,183 S *	7/2015	de Groot	D10/56
					D735,402 S *	7/2015	Goyal et al.	D26/120

* cited by examiner

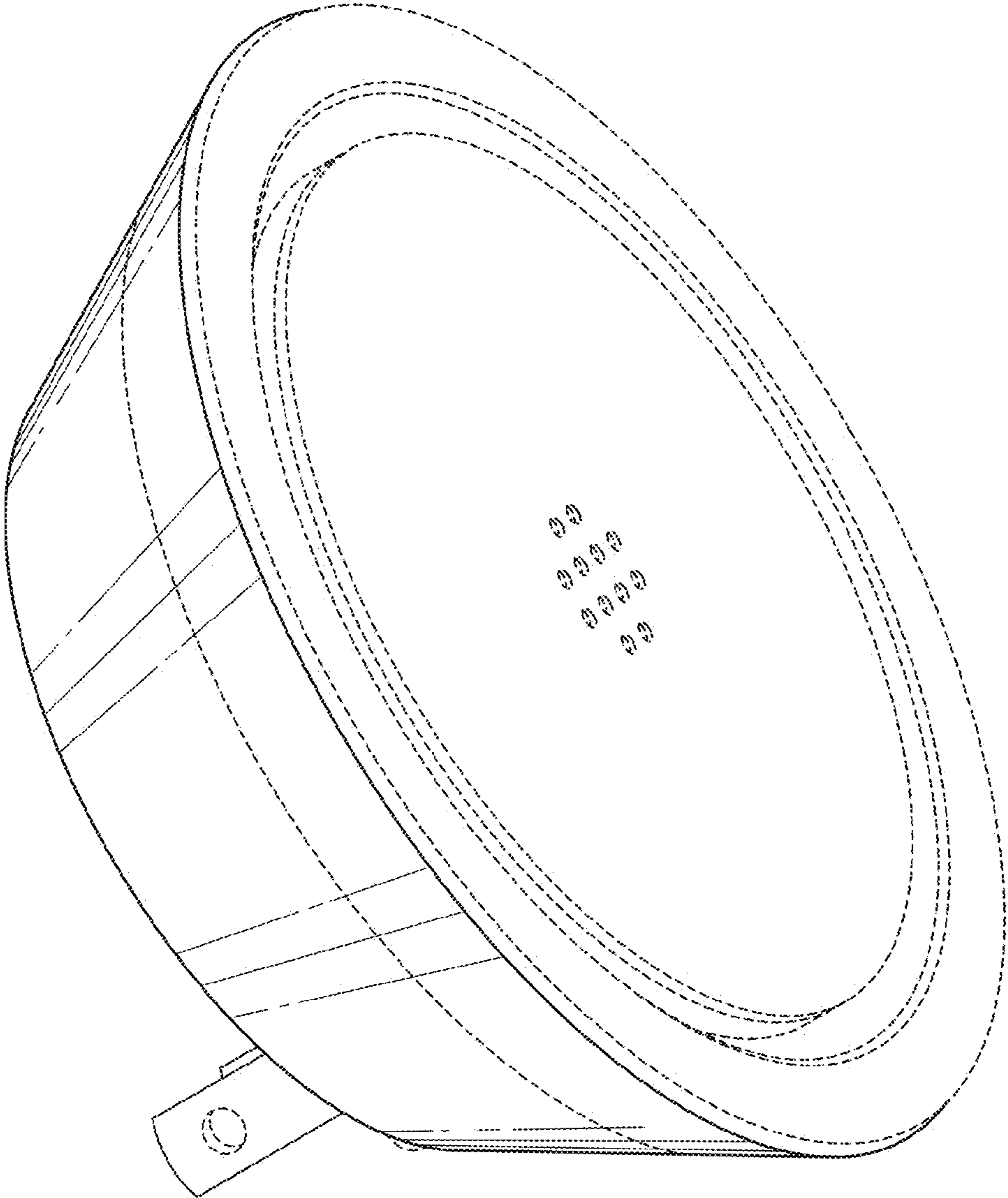


FIG. 1

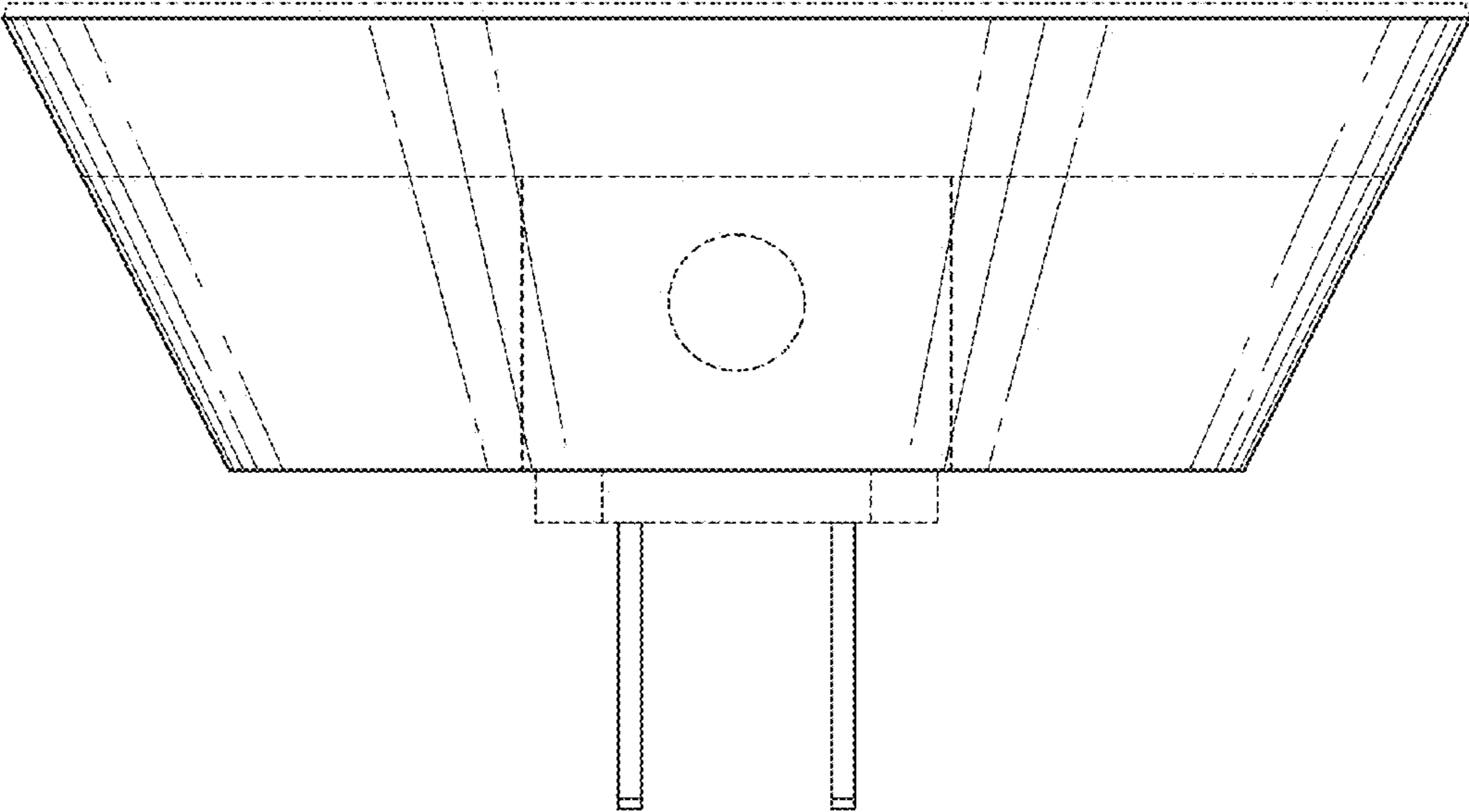


FIG. 2

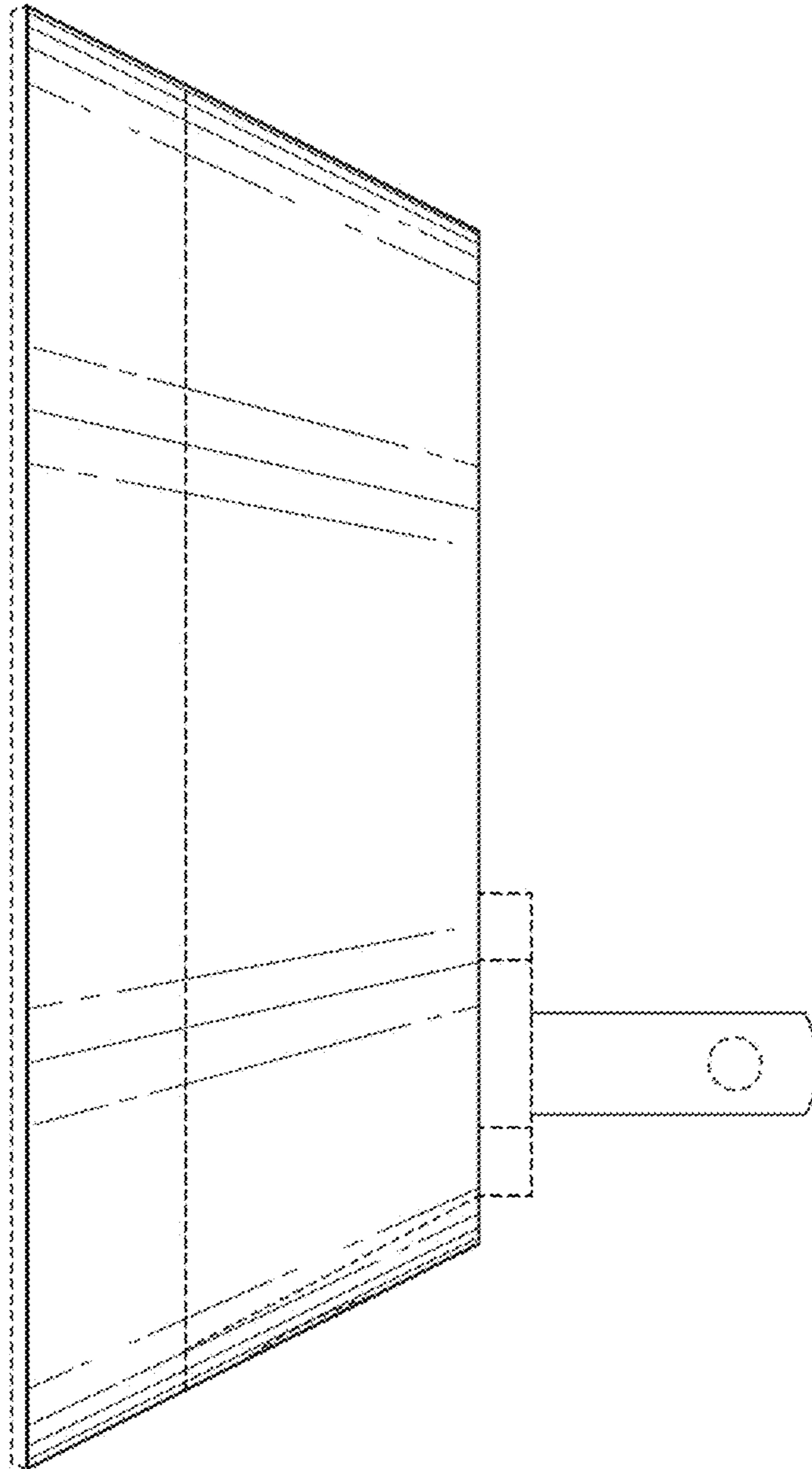


FIG. 3

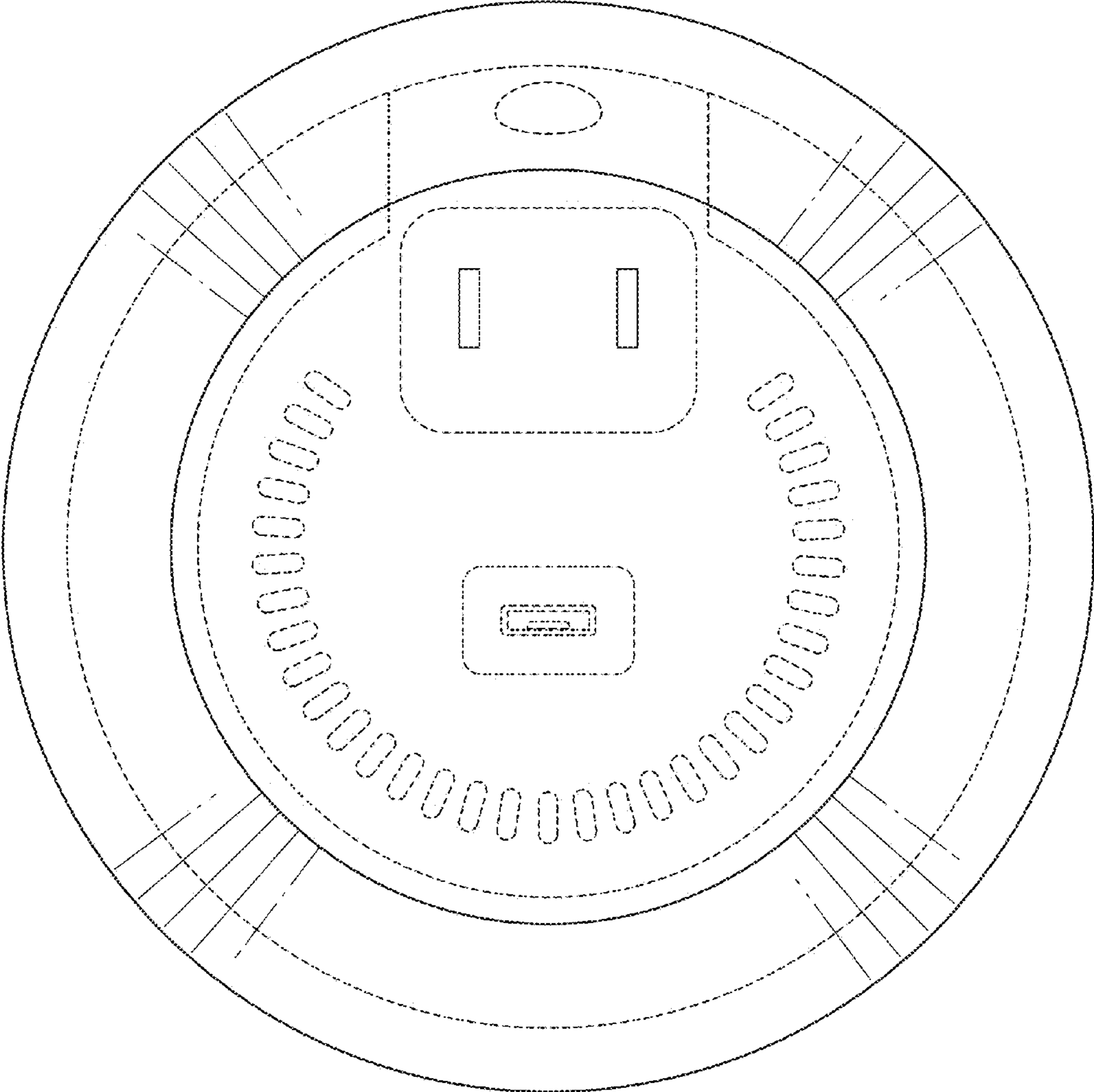


FIG. 4

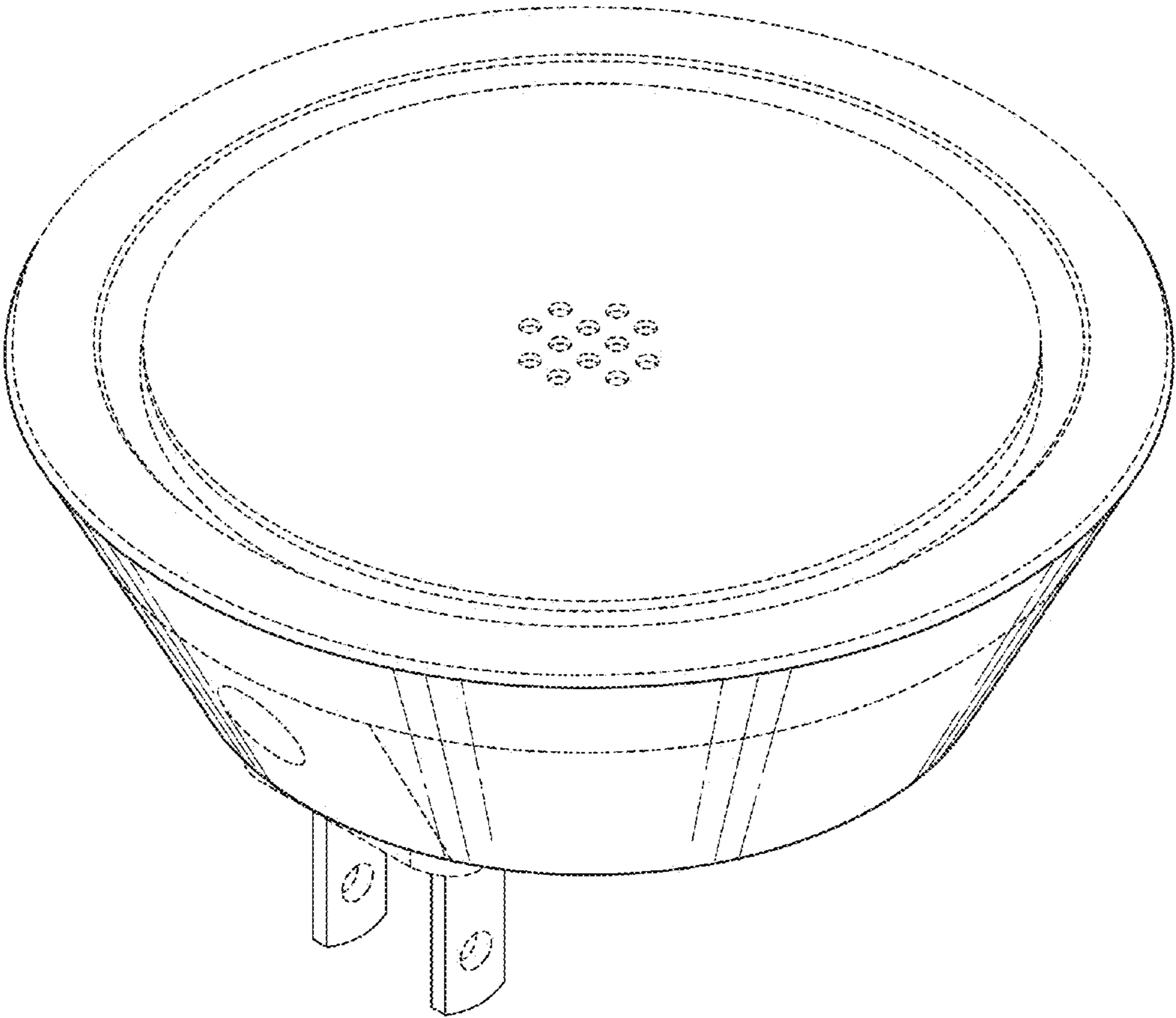


FIG. 5

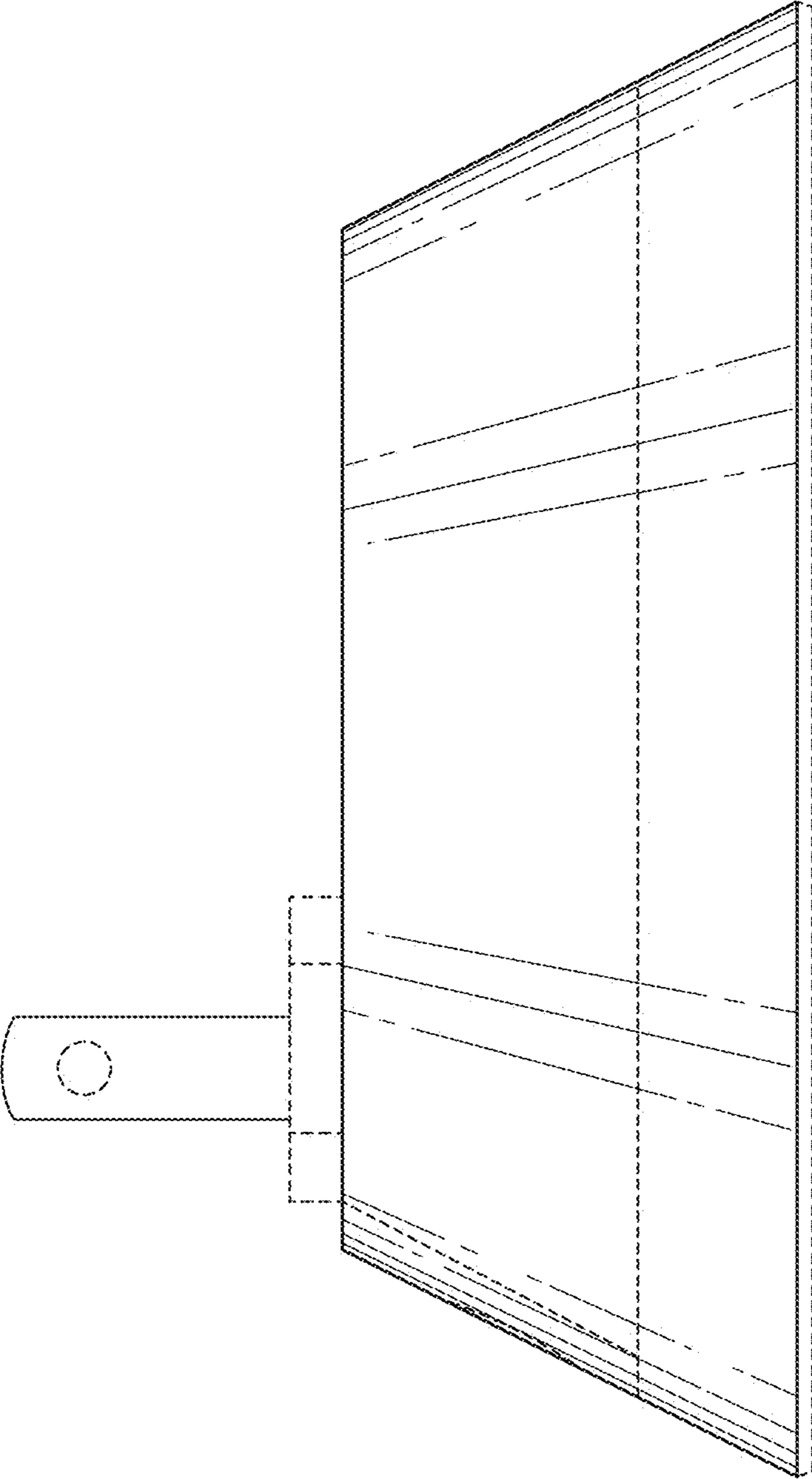


FIG. 6

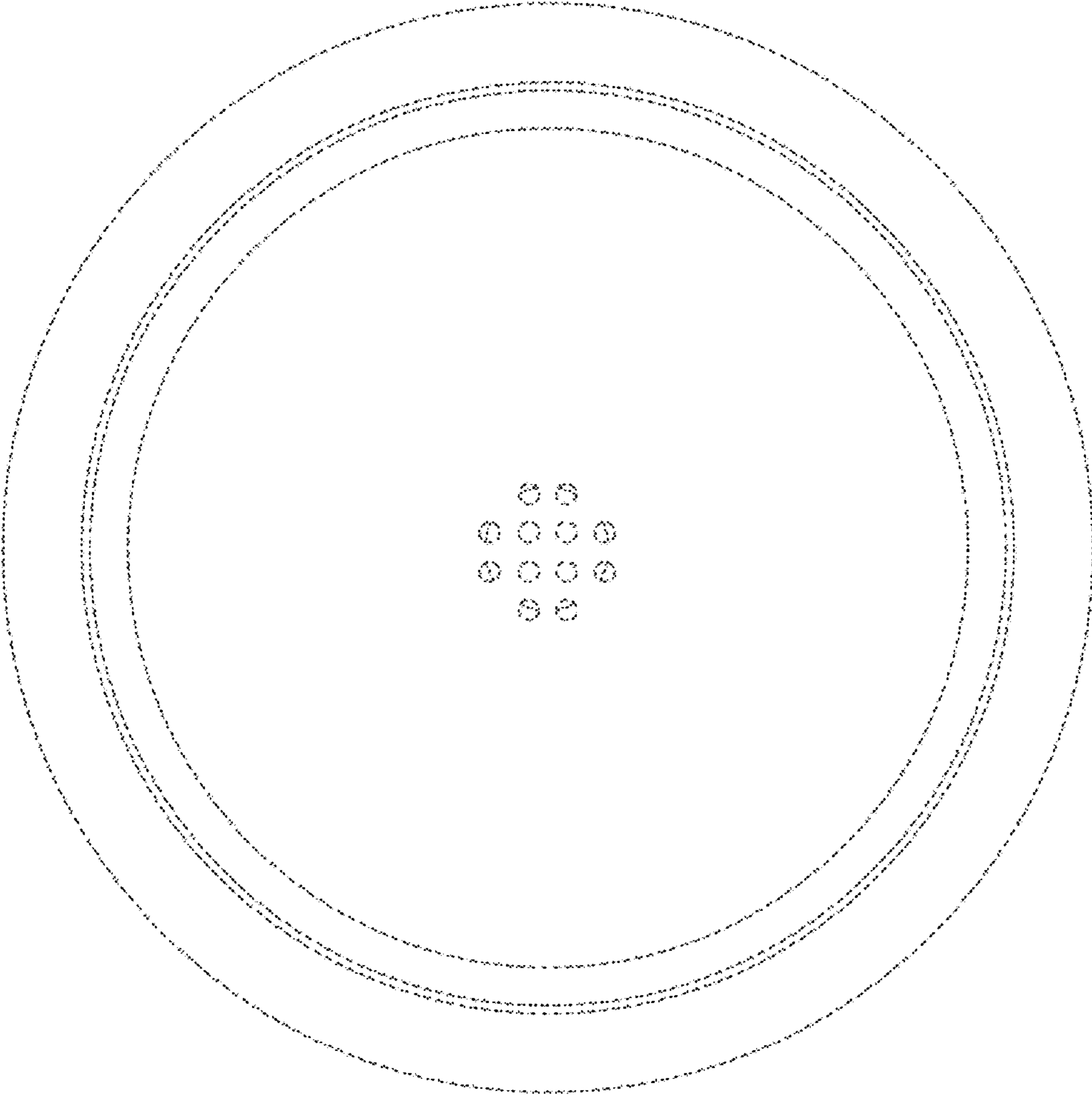


FIG. 7

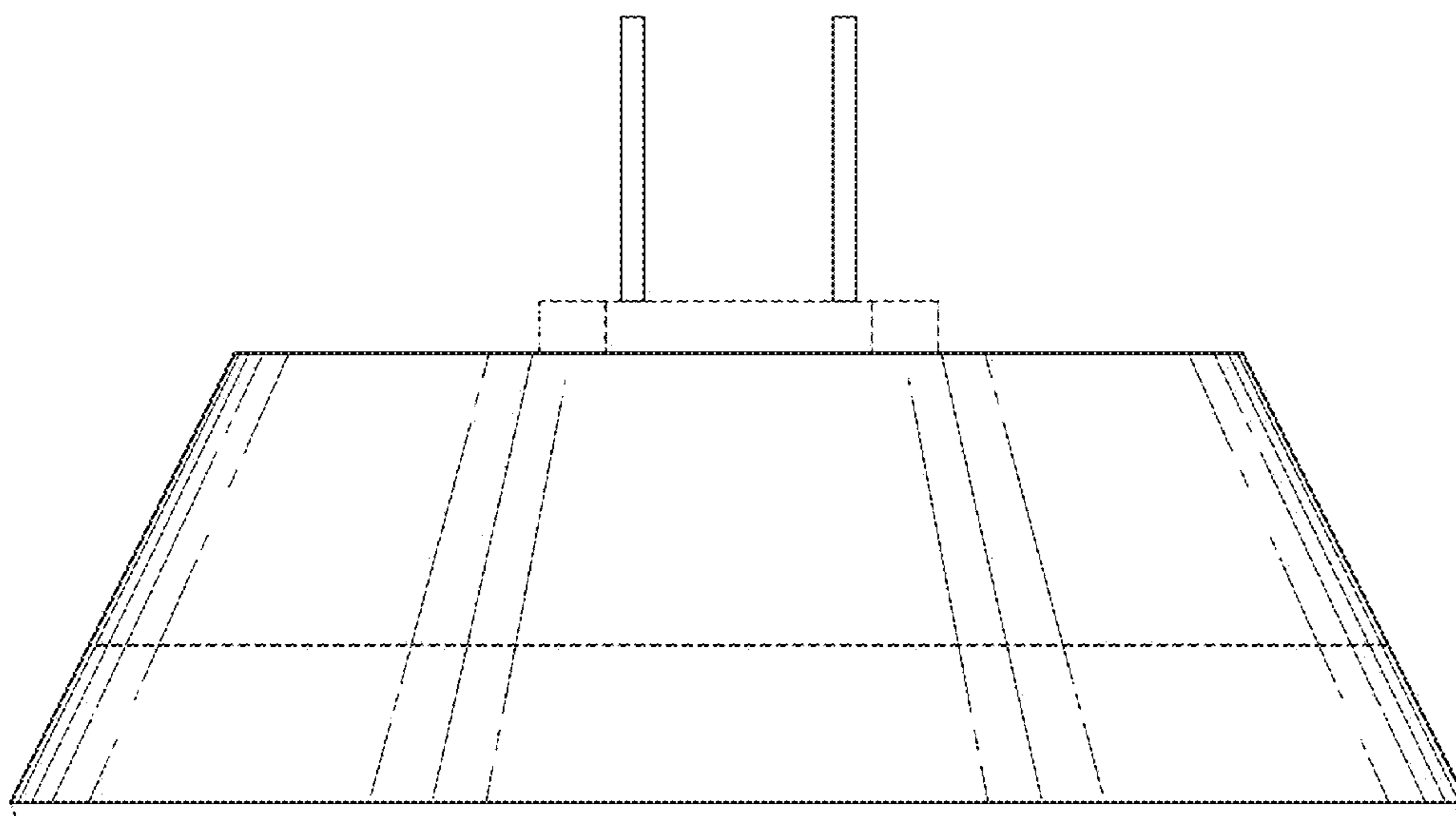


FIG. 8

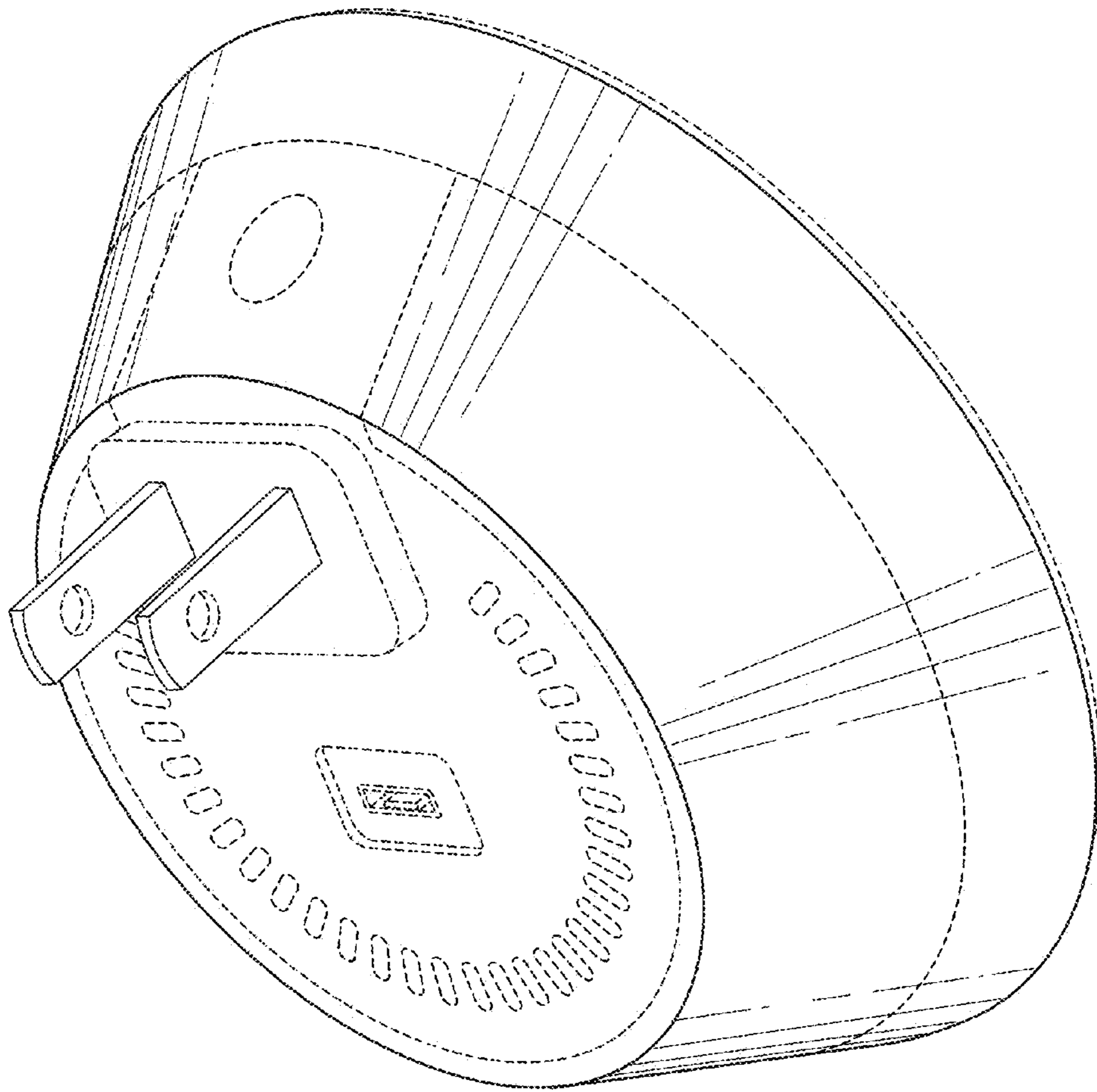


FIG. 9

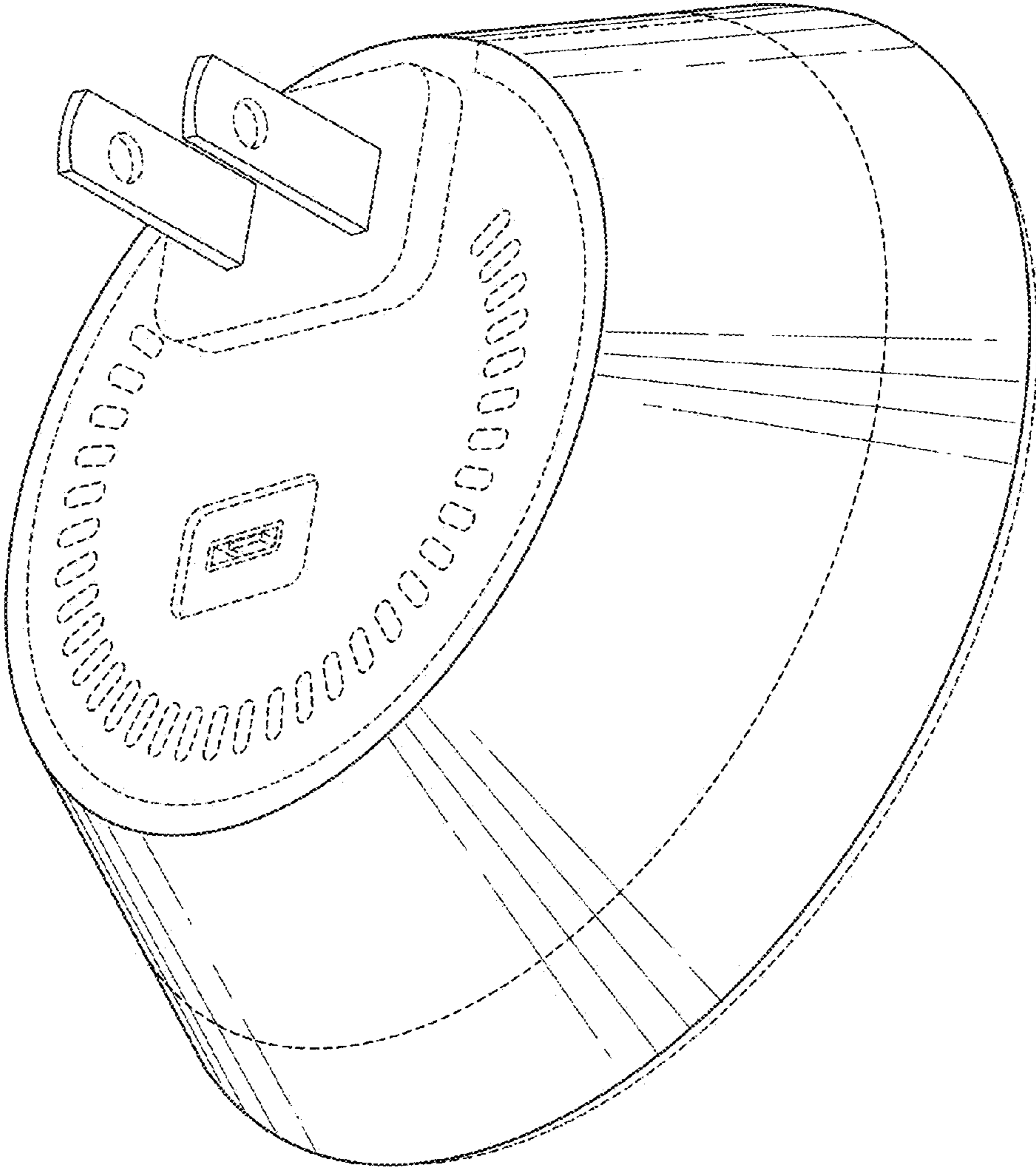


FIG. 10

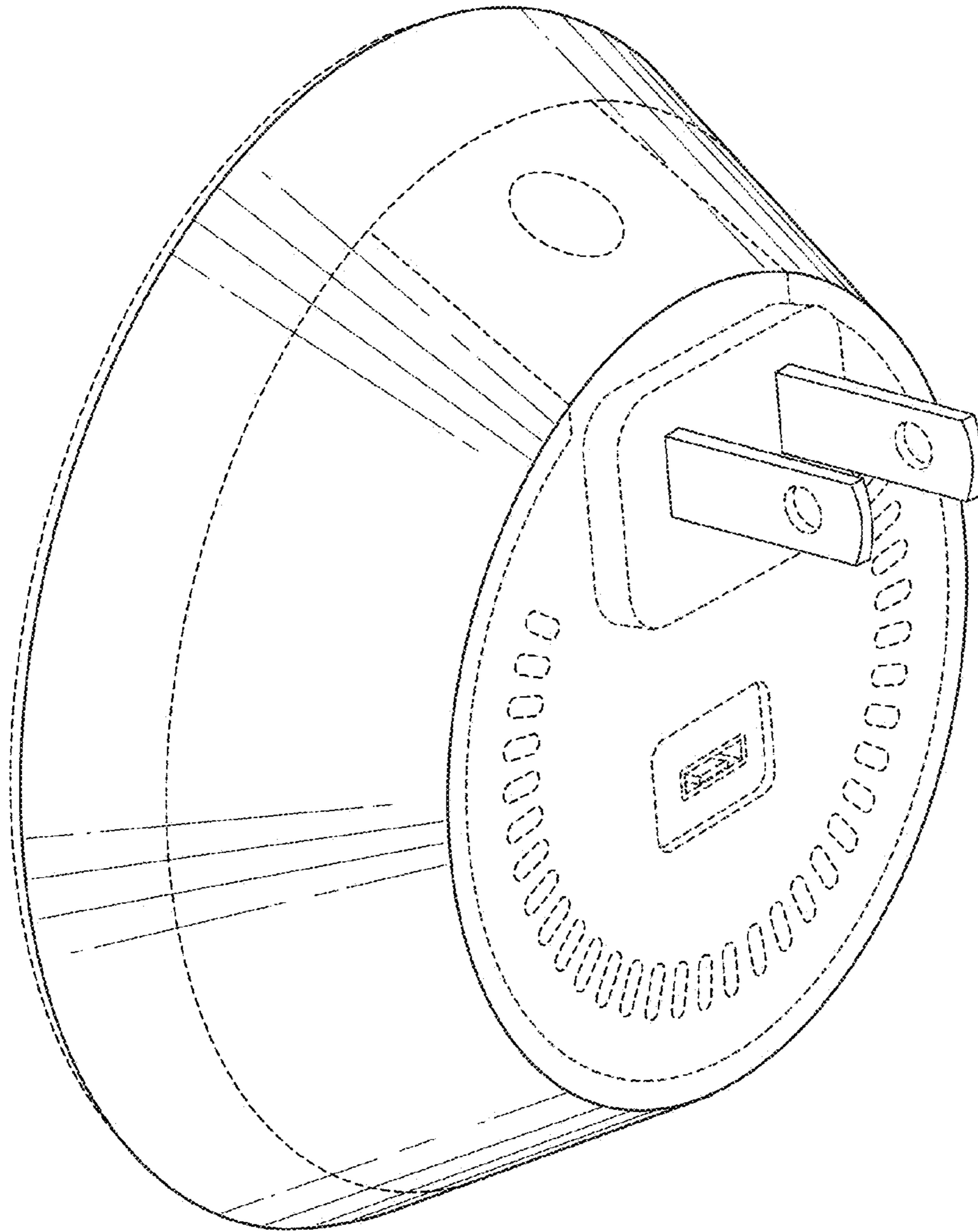


FIG. 11