



US00D746510S

(12) **United States Design Patent**
Antony et al.

(10) **Patent No.:** **US D746,510 S**
(45) **Date of Patent:** **** Dec. 29, 2015**

(54) **EXTENSIBLE INTEGRATED LIGHT ENGINE
HOLDER AND POWER SUPPLY ENCLOSURE**

(71) Applicants: **Biju Antony**, Lynnfield, MA (US);
Chaim Becerra, Danvers, MA (US); **Ty
Vyn Rock**, Marblehead, MA (US)

(72) Inventors: **Biju Antony**, Lynnfield, MA (US);
Chaim Becerra, Danvers, MA (US); **Ty
Vyn Rock**, Marblehead, MA (US)

(73) Assignee: **OSRAM SYLVANIA Inc.**, Wilmington,
MA (US)

(**) Term: **14 Years**

(21) Appl. No.: **29/479,602**

(22) Filed: **Jan. 17, 2014**

(51) **LOC (10) Cl.** **26-99**

(52) **U.S. Cl.**
USPC **D26/138**

(58) **Field of Classification Search**
USPC D26/76, 78, 79, 80, 81, 82, 83, 85, 86,
D26/88, 90, 113, 118, 119, 120, 121, 122,
D26/138, 139, 140, 141, 142; 362/23.07,
362/23.09, 23.16, 217.01, 217.02, 217.05,
362/217.08, 217.09, 218, 249.02, 260,
362/311.02, 555, 612, 614, 800
CPC F21S 2/00; F21S 4/00; F21S 4/003;
F21S 4/005; F21S 4/006; F21S 4/007; F21S
4/008; F21S 6/00; F21S 8/00; F21S 8/024;
F21S 8/026; F21S 8/031; F21S 8/033; F21S
8/035-8/037; F21S 8/04; F21S 8/043; F21S
8/063

See application file for complete search history.

(56) **References Cited**

U.S. PATENT DOCUMENTS

D203,060 S * 11/1965 Schaefer D26/76
D217,494 S * 5/1970 Dalton D26/76

(Continued)

Primary Examiner — George D Kirschbaum

Assistant Examiner — Natasha Vujcic

(74) *Attorney, Agent, or Firm* — Shaun P. Montana

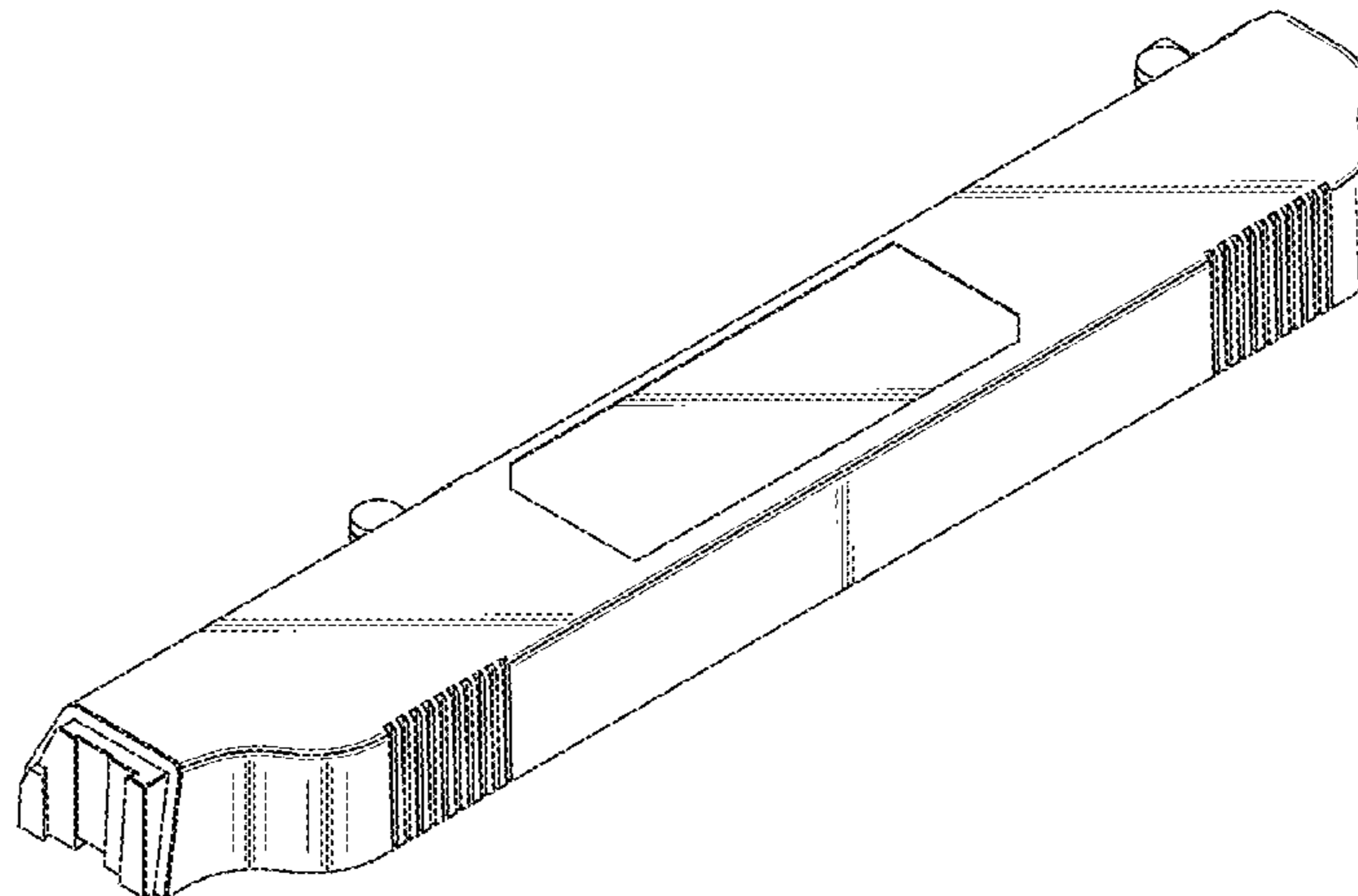
(57) **CLAIM**

The ornamental design for an extensible integrated light engine holder and power supply enclosure, as shown and described.

DESCRIPTION

FIG. 1 is a perspective view of the ornamental design of an enclosure portion of an extensible integrated light engine holder and power supply enclosure;
FIG. 2 is a right side view of the design shown in FIG. 1;
FIG. 3 is a left side view of the design shown in FIG. 1;
FIG. 4 is a front view of the design shown in FIG. 1;
FIG. 5 is a back view of the design shown in FIG. 1;
FIG. 6 is a top view of the design shown in FIG. 1;
FIG. 7 is a bottom view of the design shown in FIG. 1;
FIG. 8 is a perspective view of the ornamental design of an extension portion of an extensible integrated light engine holder and power supply enclosure;
FIG. 9 is a left side view of the design shown in FIG. 8;
FIG. 10 is a right side view of the design shown in FIG. 8;
FIG. 11 is a front view of the design shown in FIG. 8;
FIG. 12 is a back view of the design shown in FIG. 8;
FIG. 13 is a top view of the design shown in FIG. 8;
FIG. 14 is a bottom view of the design shown in FIG. 8;
FIG. 15 is a perspective view of the ornamental design the extensible integrated light engine holder and power supply enclosure;
FIG. 16 is a left side view of the design shown in FIG. 15;
FIG. 17 is a right side view of the design shown in FIG. 15;
FIG. 18 is a front view of the design shown in FIG. 15;
FIG. 19 is a back view of the design shown in FIG. 15;
FIG. 20 is a top view of the design shown in FIG. 15; and,
FIG. 21 is a bottom view of the design shown in FIG. 15.
The broken lines in the drawings illustrate portions of the extensible integrated light engine holder and power supply enclosure which form no part of the claimed design.

1 Claim, 18 Drawing Sheets



US D746,510 S

Page 2

(56)

References Cited

U.S. PATENT DOCUMENTS

D218,356 S * 8/1970 Bobrick D26/76
D312,978 S * 12/1990 Foster D10/114.4
D507,903 S * 8/2005 Pingel D6/699.4
D615,852 S * 5/2010 Sullivan D8/380

D621,995 S * 8/2010 Redfern D26/138
D621,996 S * 8/2010 Redfern D26/138
D632,422 S * 2/2011 van den Akker D26/128
D632,423 S * 2/2011 Canfield D26/138
D642,729 S * 8/2011 Jabra D26/120
D644,779 S * 9/2011 Jabra D26/120
D708,382 S * 7/2014 McGowan D26/56

* cited by examiner

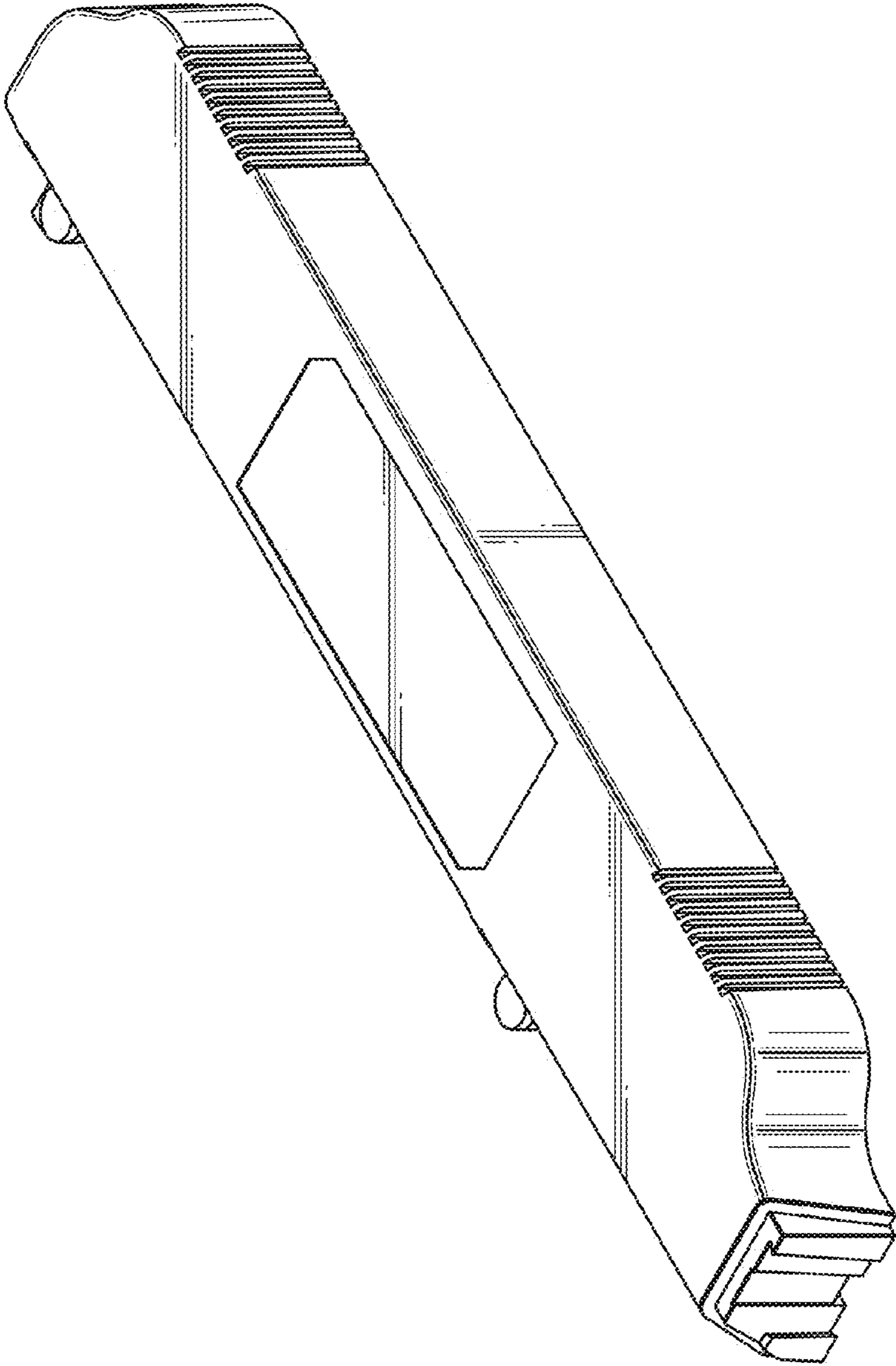


FIG. 1

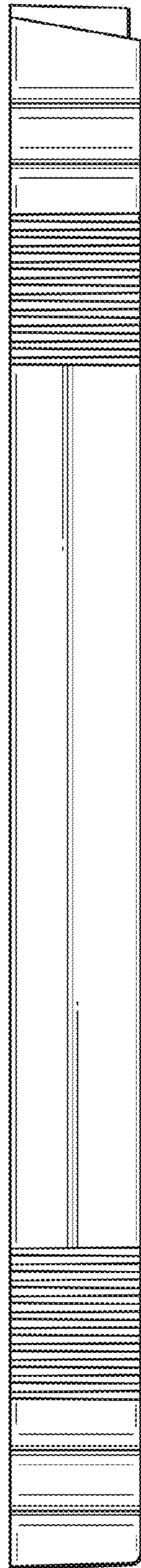


FIG. 2

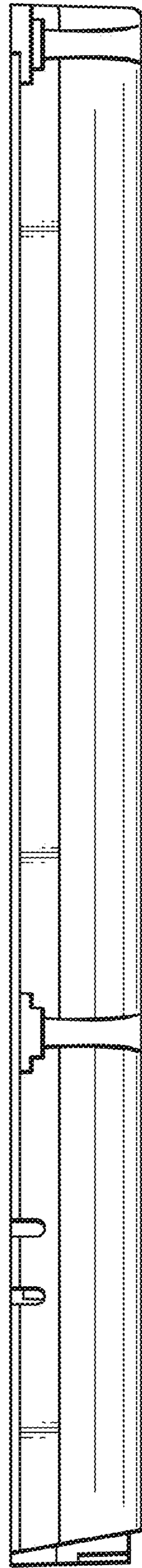


FIG. 3

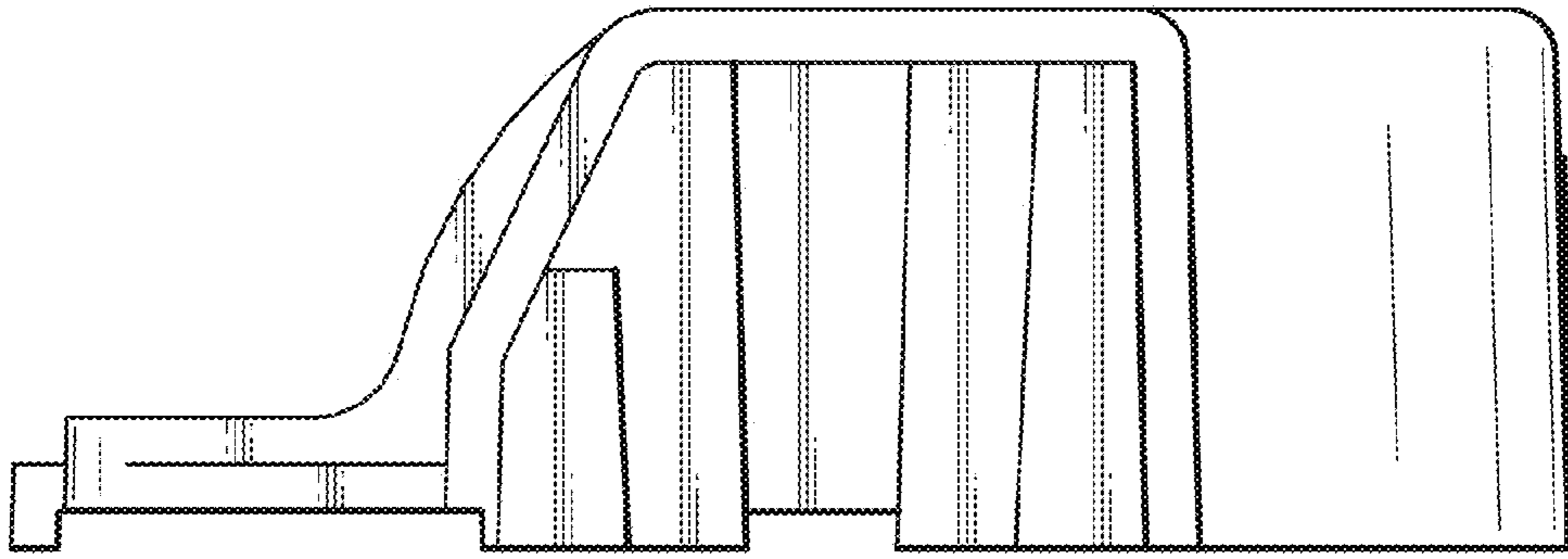


FIG. 4

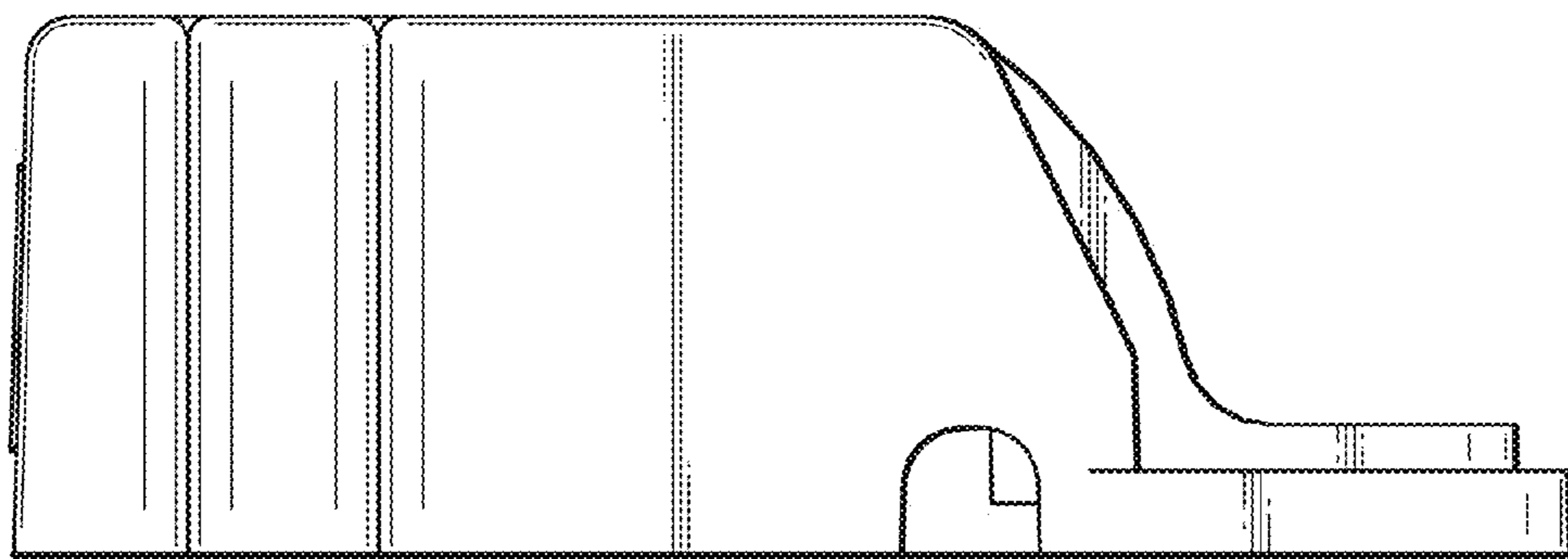


FIG. 5

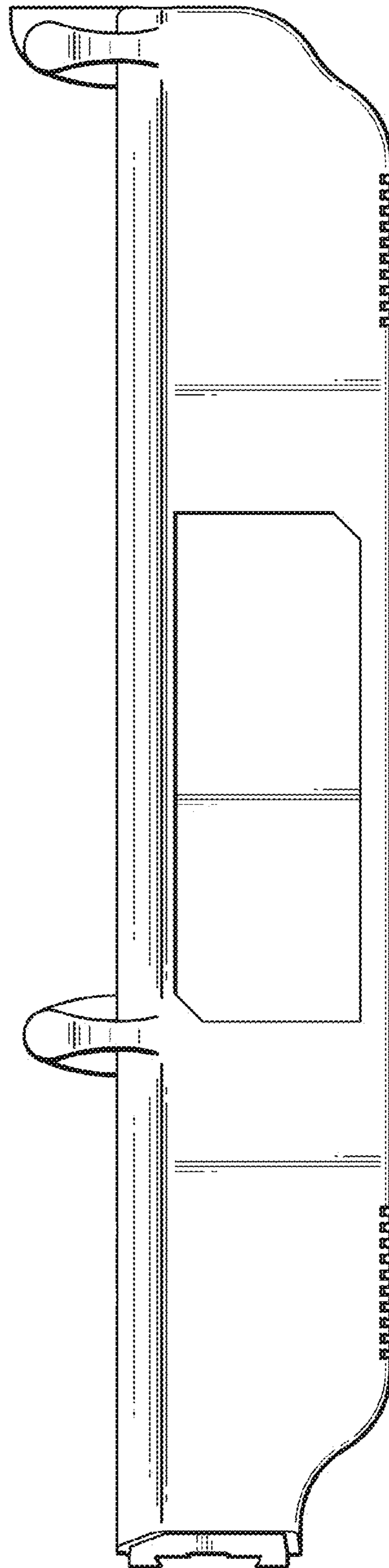


FIG. 6

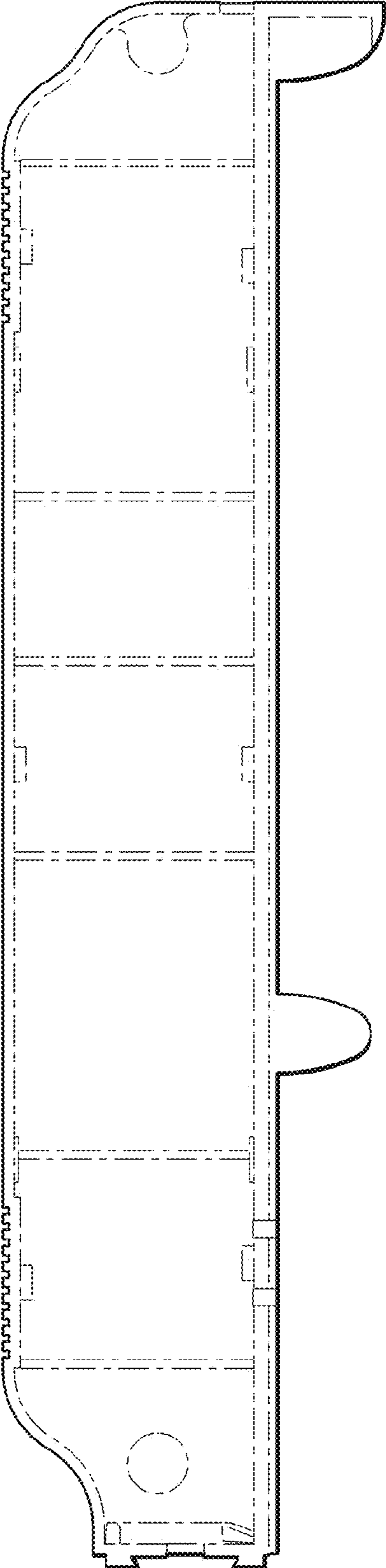


FIG. 7

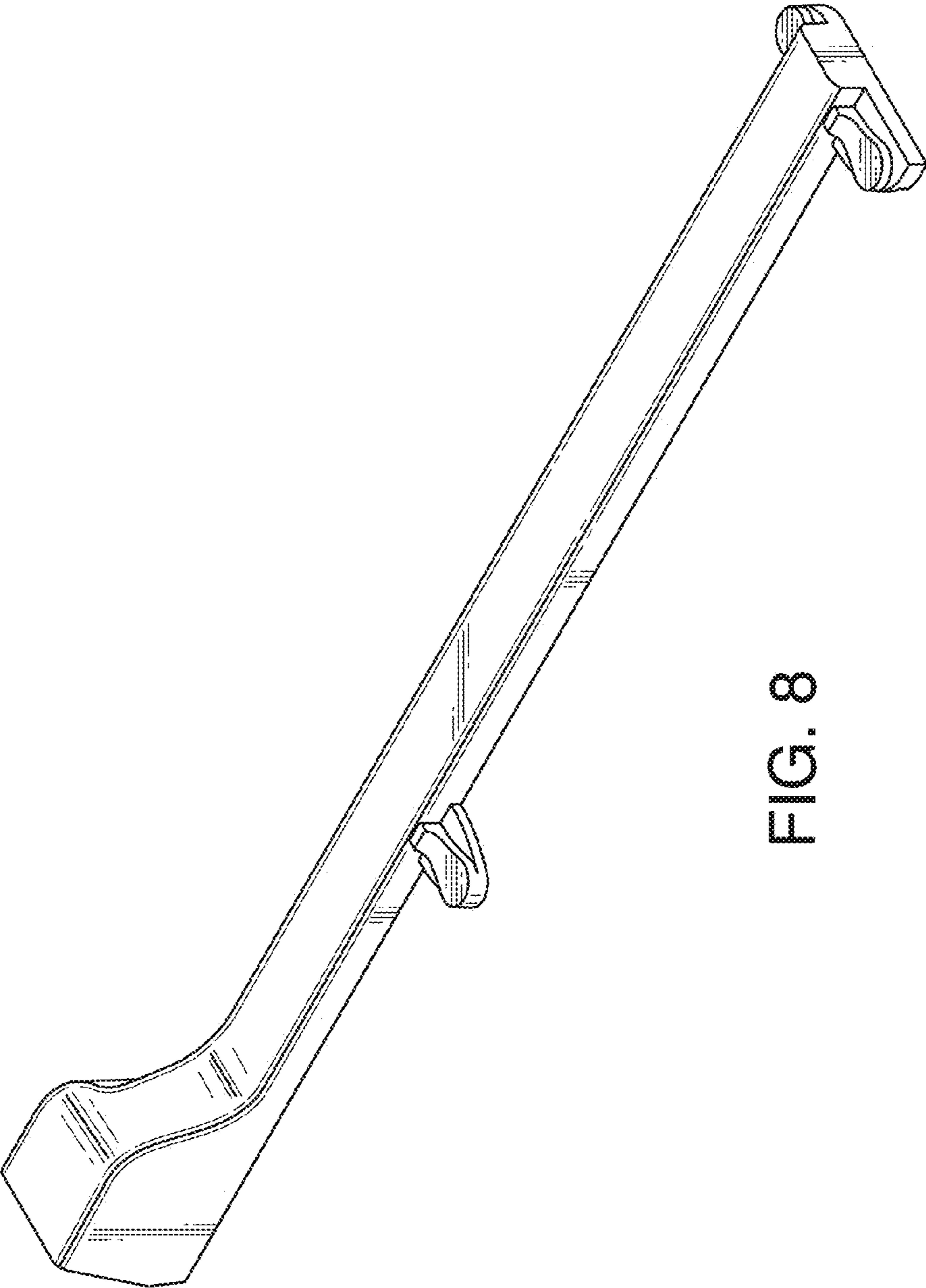


FIG. 8

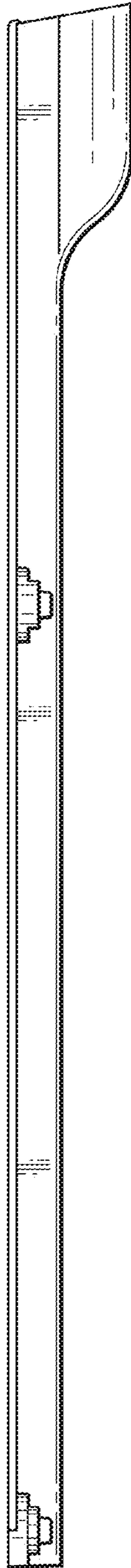


FIG. 9

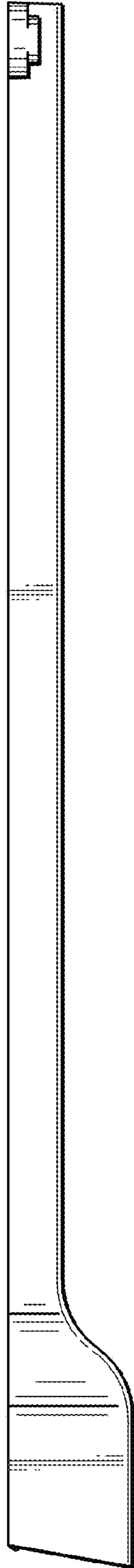


FIG. 10

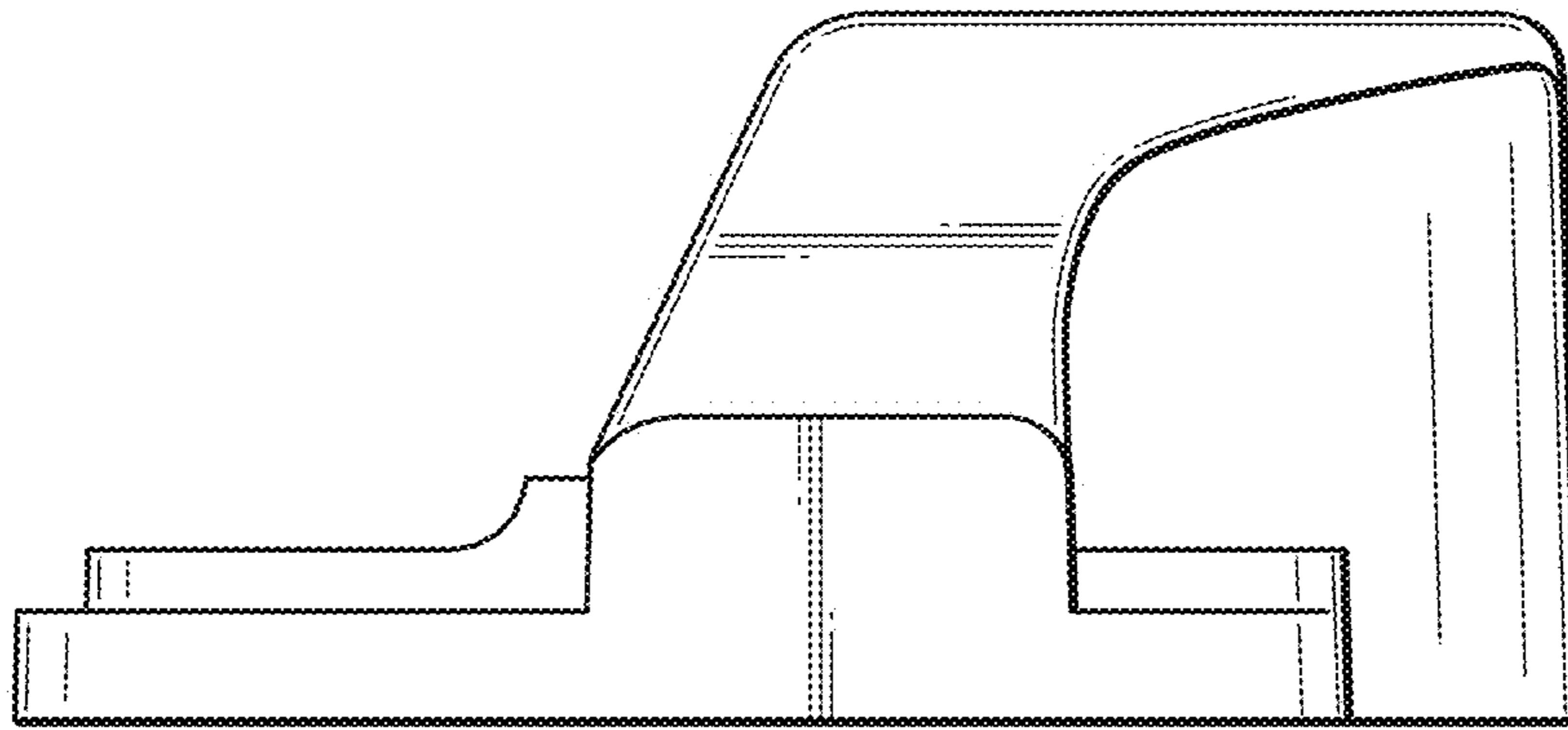


FIG. 11

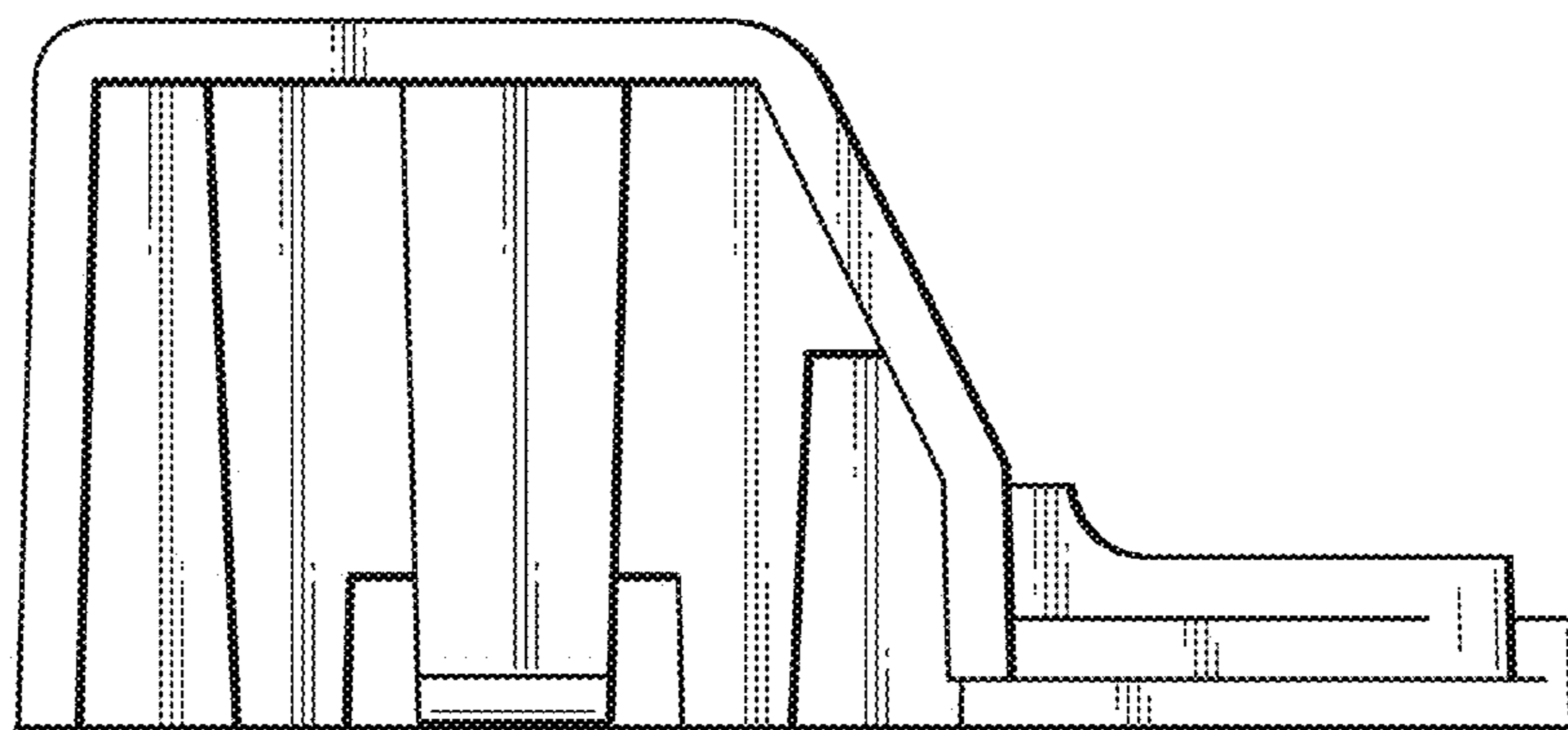


FIG. 12

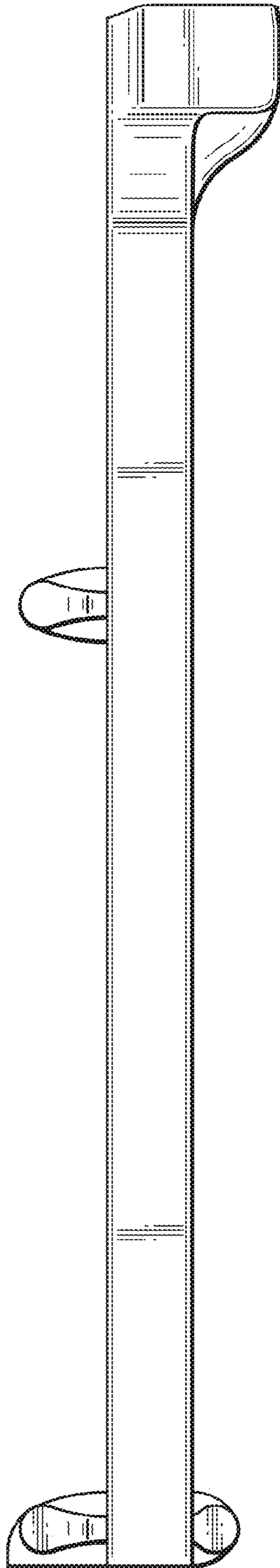


FIG. 13

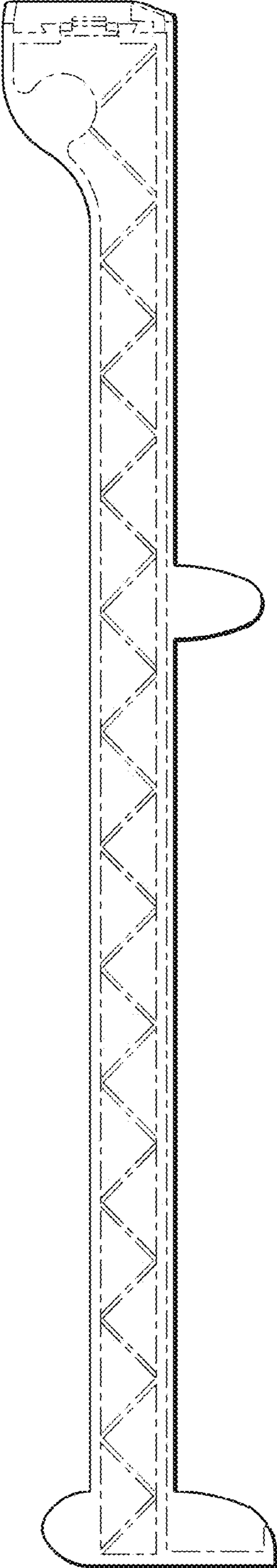


FIG. 14

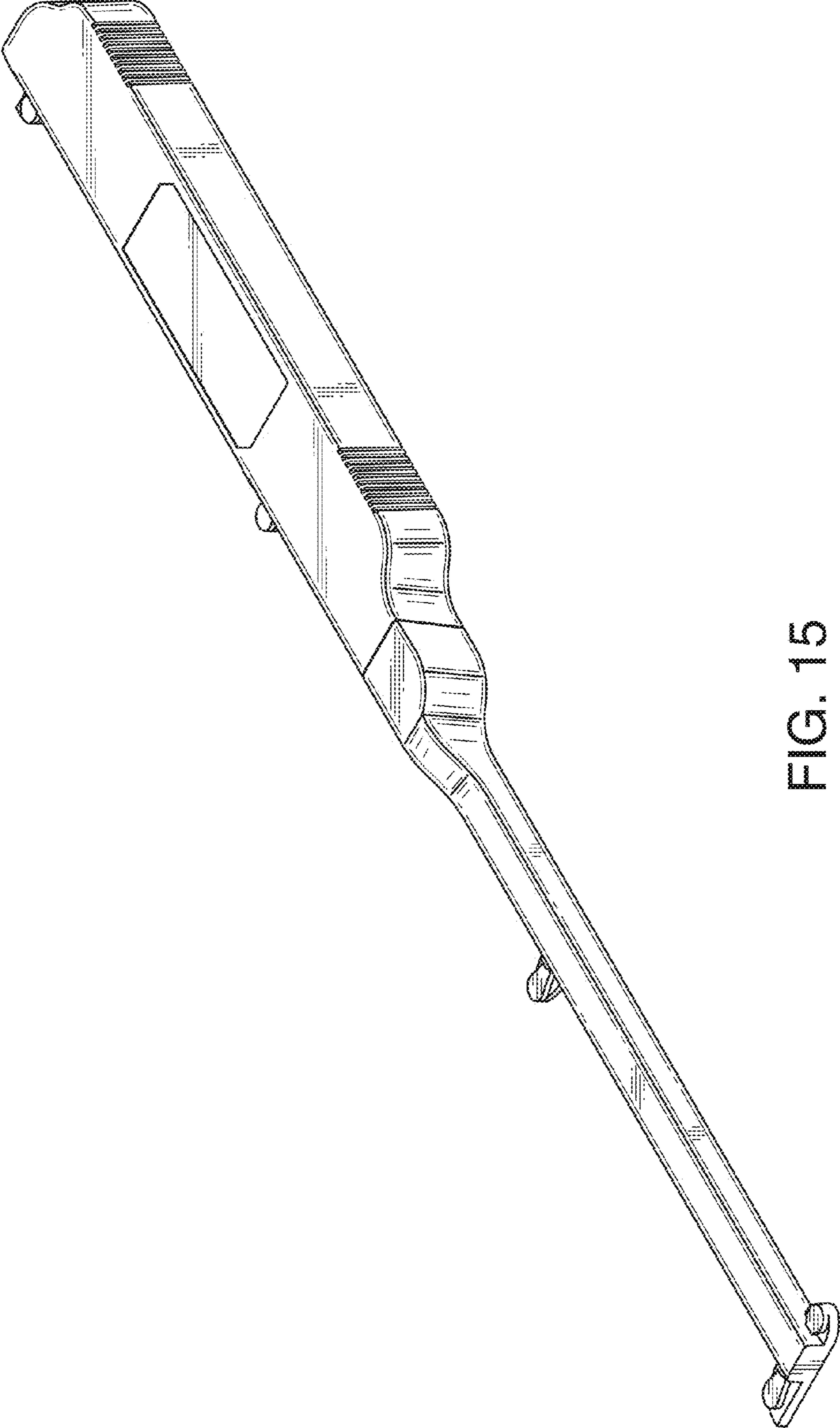


FIG. 15

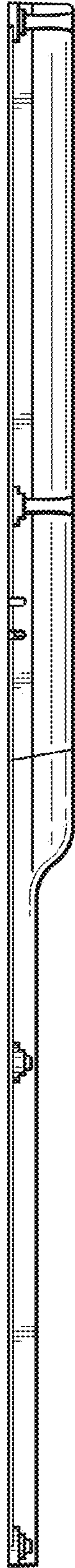


FIG. 16

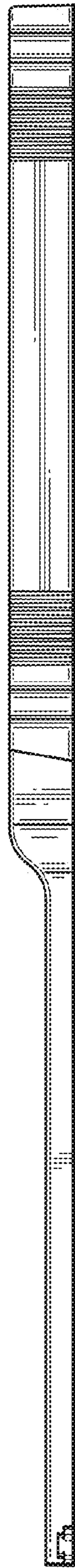


FIG. 17

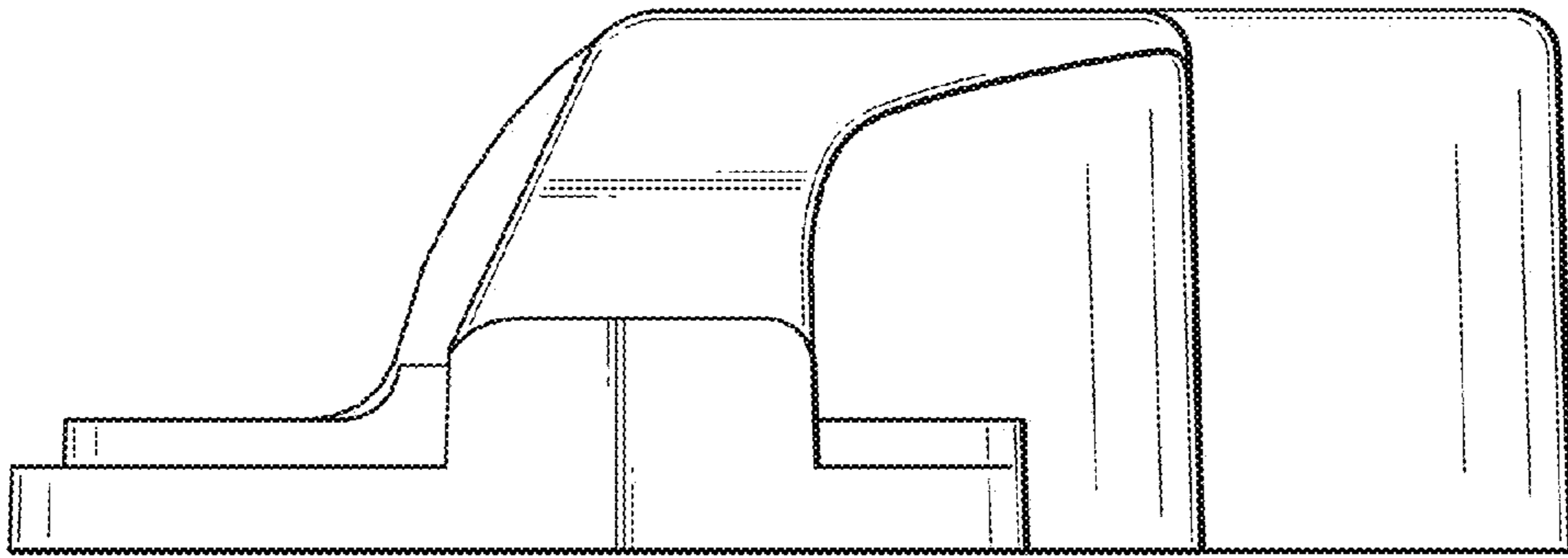


FIG. 18

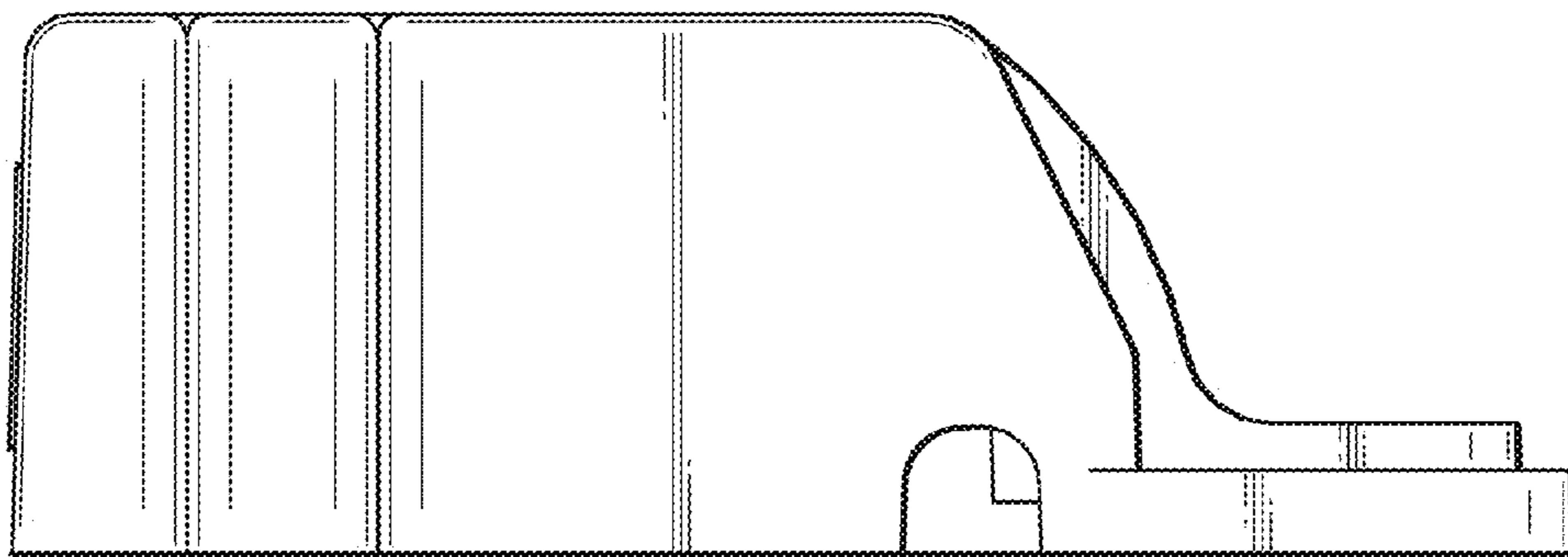


FIG. 19

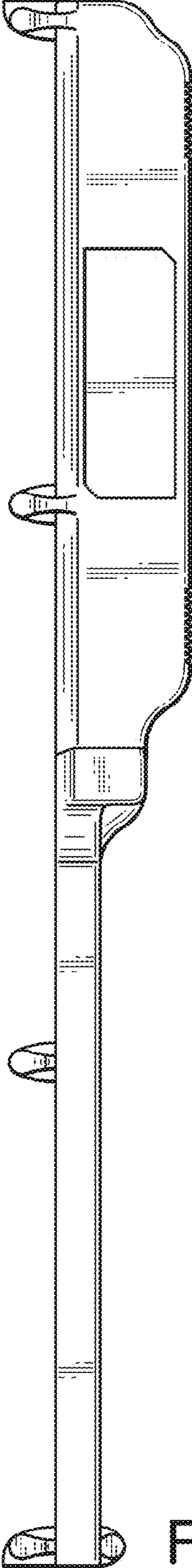


FIG. 20

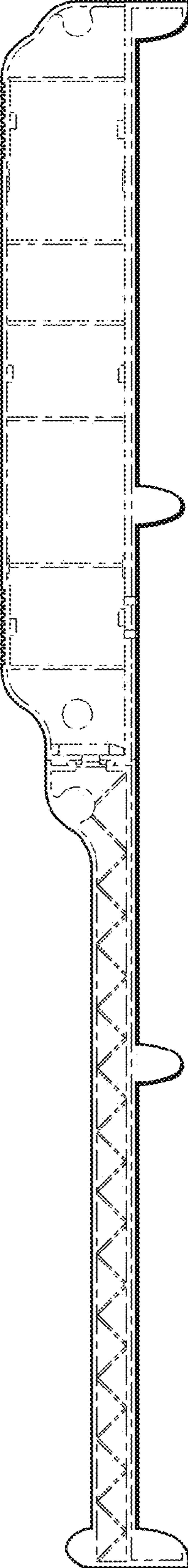


FIG. 21