



US00D746508S

(12) **United States Design Patent**  
**Deluca et al.**

(10) **Patent No.:** **US D746,508 S**

(45) **Date of Patent:** **\*\* Dec. 29, 2015**

(54) **COMBINED BOTTLE LIGHT AND SHADE**

(71) Applicant: **AXIS SOURCING GROUP, INC.**,  
Concod, CA (US)

(72) Inventors: **Domenico F. Deluca**, Concord, CA  
(US); **Mark Knoll**, Concord, CA (US)

(73) Assignee: **AXIS Sourcing Group, Inc.**, Concord,  
CA (US)

(\*\*) Term: **14 Years**

(21) Appl. No.: **29/493,557**

(22) Filed: **Jun. 11, 2014**

(51) **LOC (10) Cl.** ..... **26-06**

(52) **U.S. Cl.**  
USPC ..... **D26/118**

(58) **Field of Classification Search**

USPC ..... D26/1-4, 24-26, 28, 34, 39, 45, 50, 60,  
D26/61, 66-74, 85, 88, 89, 93, 94, 104, 105,  
D26/108, 109, 113, 118-125, 138, 142;  
362/3, 4, 8, 145, 147, 150,  
362/249.01-249.05, 296.01, 296.05, 317,  
362/326, 327, 330, 331, 334, 335, 341, 347,  
362/362, 364-366, 368, 370-373,  
362/640-644; D14/204, 207, 213-216,  
D14/250-253, 255, 348; D10/106.2, 111,  
D10/113.1, 113.2, 114.1; D11/131, 133,  
D11/142-145, 149, 152-155, 200, 215  
CPC ..... F21V 13/04; F21V 5/04; F21V 5/00;  
F21V 7/0091; F21V 7/00

See application file for complete search history.

(56) **References Cited**

**U.S. PATENT DOCUMENTS**

3,104,498 A \* 9/1963 Miller ..... D11/143  
D226,279 S \* 2/1973 Eyerly ..... D11/143  
3,819,931 A \* 6/1974 Green ..... 362/341  
D419,716 S \* 1/2000 Parrochia ..... D26/118

D445,358 S \* 7/2001 Simmons ..... D11/152  
D453,308 S \* 2/2002 McCauley ..... D11/152  
D495,822 S \* 9/2004 Yoneda ..... D26/124  
D544,640 S \* 6/2007 Sase et al. .... D26/123  
D549,866 S \* 8/2007 Pan ..... D26/89

(Continued)

**OTHER PUBLICATIONS**

Upcycle Empty Bottles into LED Lamps, Earth911.com, published  
Dec. 4, 2013, online. Site visited: Feb. 12, 2015. Internet  
URL:<<http://www.earth911.com/home-garden/satechi>>.\*

*Primary Examiner* — Cynthia Ramirez

*Assistant Examiner* — Llorelys Martinez-Rivera

(74) *Attorney, Agent, or Firm* — Charles L. Thoeming

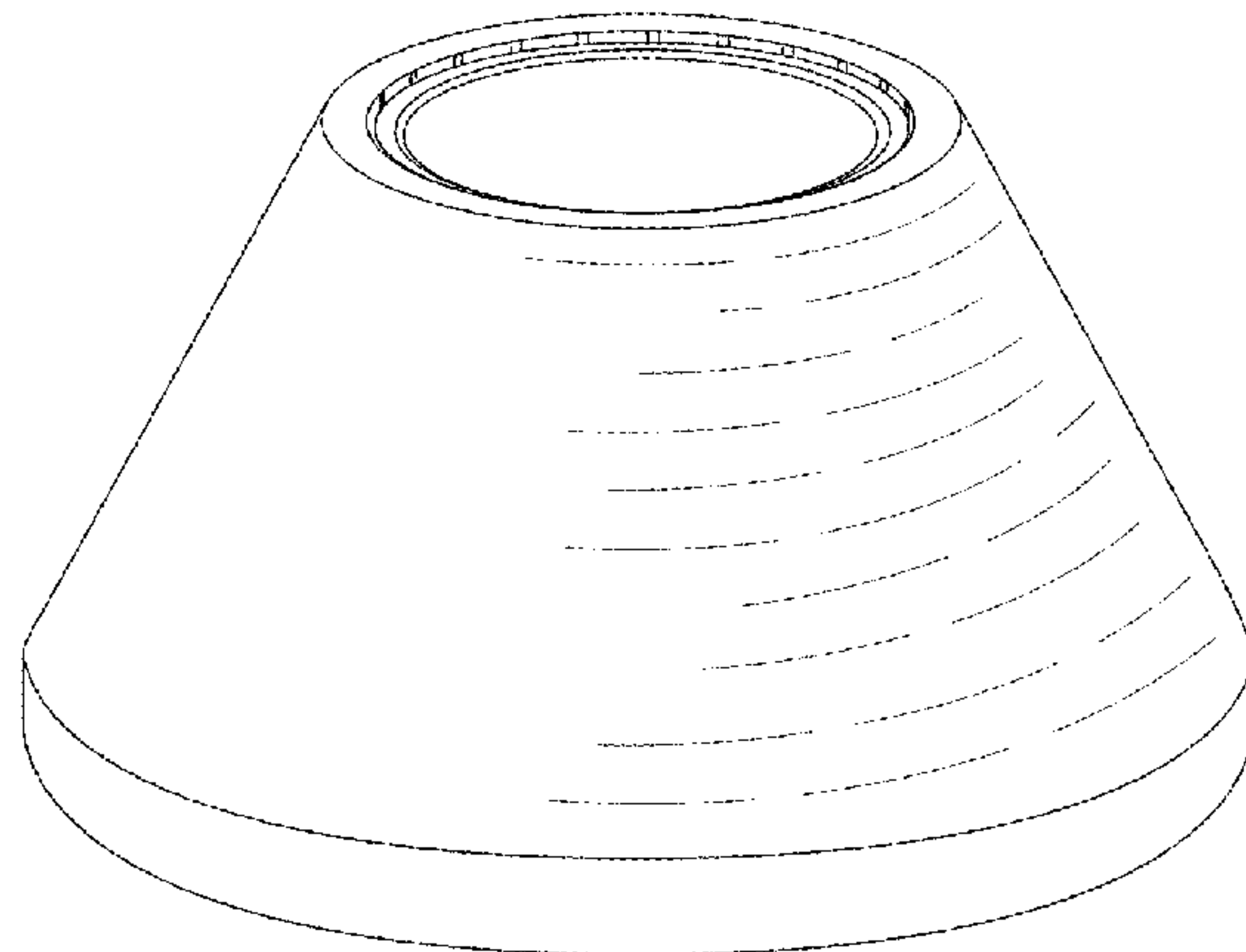
(57) **CLAIM**

The ornamental design for a combined bottle light and shade,  
as shown and described.

**DESCRIPTION**

FIG. 1 is an isometric top view of a combined bottle light and  
shade showing our new design;  
FIG. 2 is an isometric bottom view thereof;  
FIG. 3 is a top plan view thereof;  
FIG. 4 is a bottom plan view thereof;  
FIG. 5 is a front elevation view thereof, the rear, right side and  
left side views being identical thereto;  
FIG. 6 is a first isometric top view of the combined bottle light  
and shade shown in an environment of use;  
FIG. 7 is a second isometric top view of the combined bottle  
light and shade shown in an environment of use;  
FIG. 8 is a third isometric top view of the combined bottle  
light and shade shown in an environment of use; and,  
FIG. 9 is an isometric bottom view of the combined bottle  
light and shade shown in an environment of use.  
The broken line portions shown in FIGS. 6 through 9 illustrate  
environmental subject matter only and form no part of the  
claimed design.

**1 Claim, 7 Drawing Sheets**



# US D746,508 S

Page 2

---

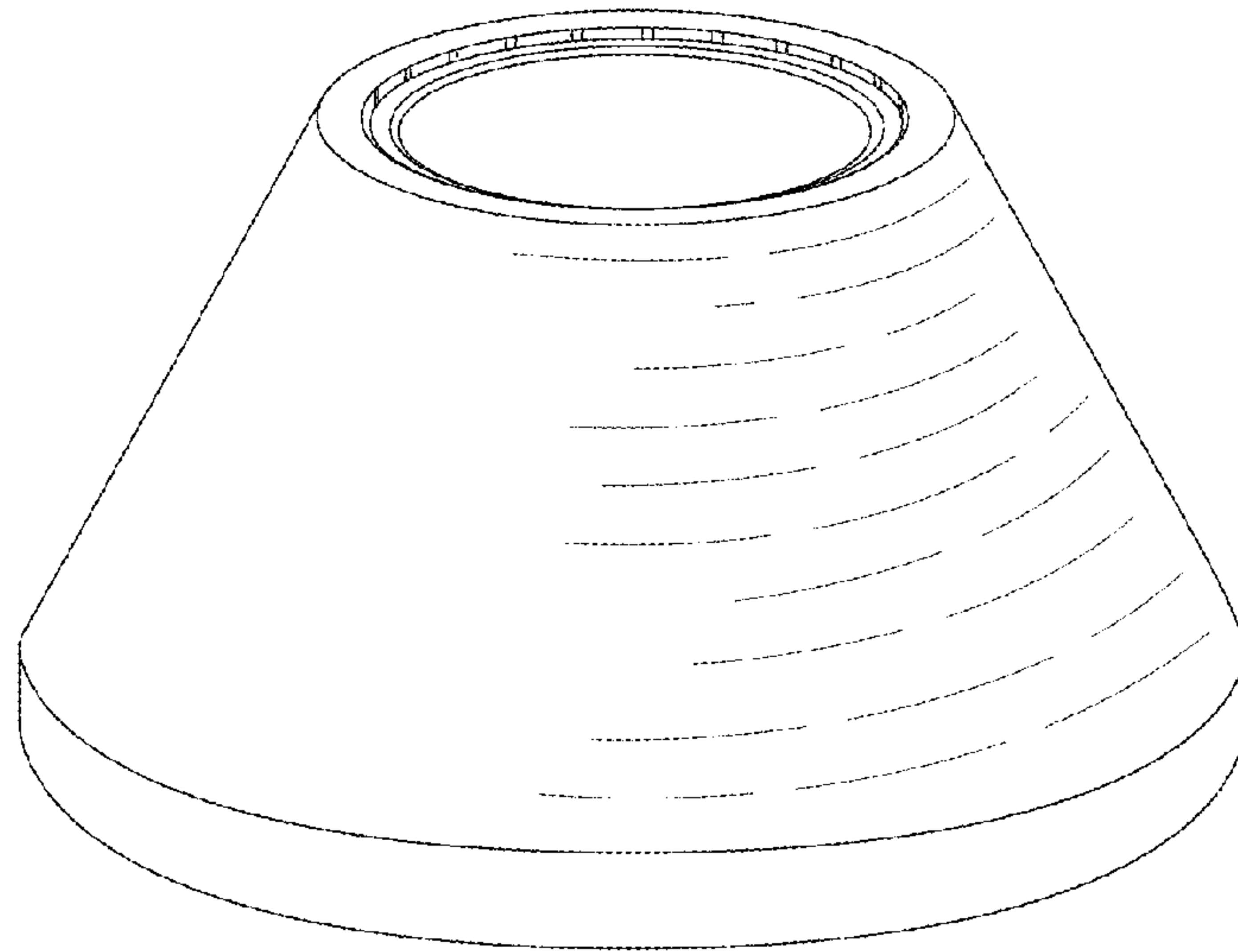
(56)

## References Cited

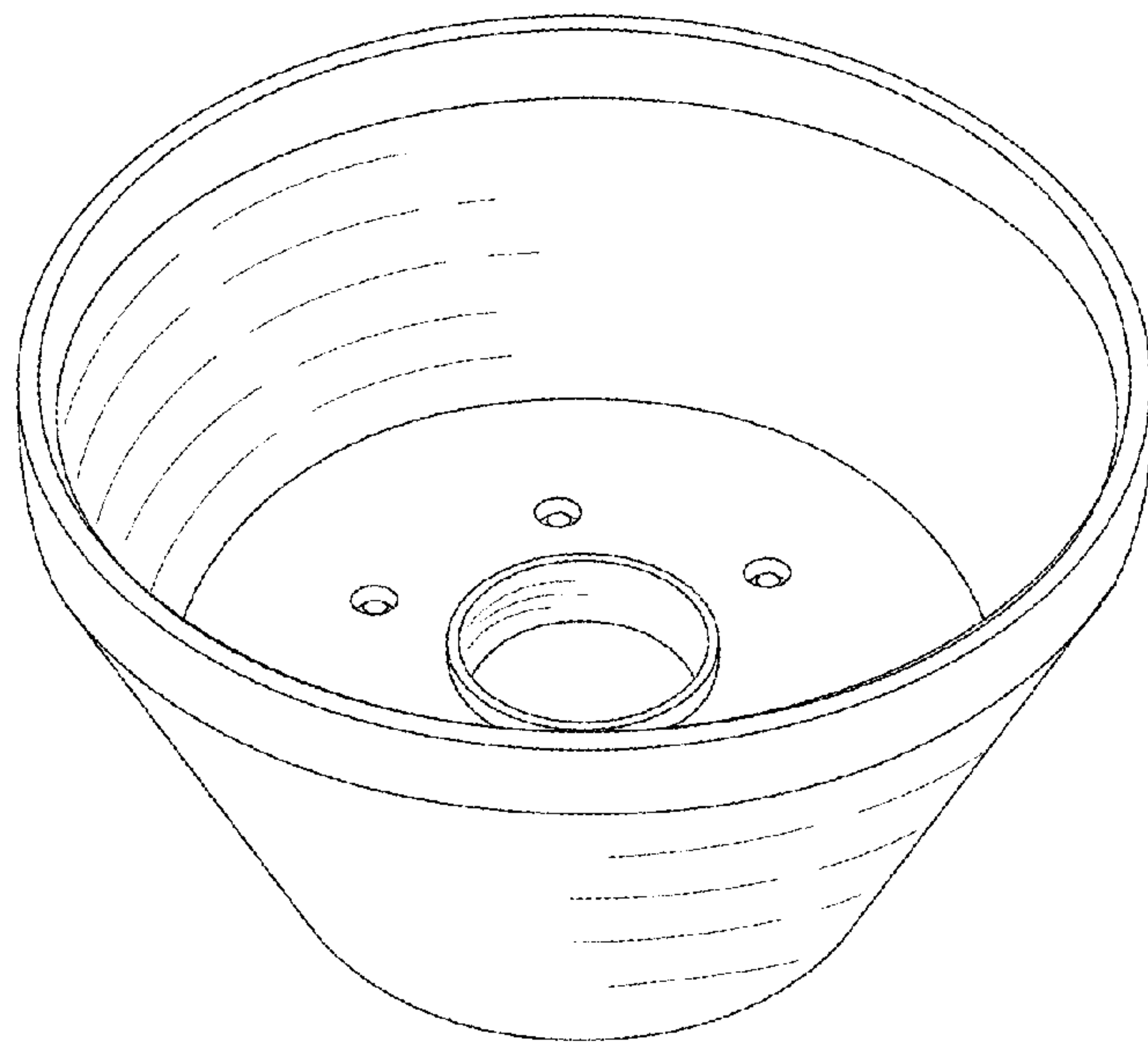
### U.S. PATENT DOCUMENTS

D572,168 S *	7/2008	Kurtz .....	D11/152	D621,089 S *	8/2010	Rashidi .....	D26/118
D601,295 S *	9/2009	Brown .....	D26/118	D622,170 S *	8/2010	Cargile .....	D10/106.5
D607,138 S *	12/2009	Pickett .....	D26/89	D689,649 S *	9/2013	Popper et al. ....	D26/124
D615,239 S *	5/2010	Rashidi .....	D26/118	D705,978 S *	5/2014	Rhodes .....	D26/89
				2010/0165636 A1 *	7/2010	Chen et al. ....	362/296.01

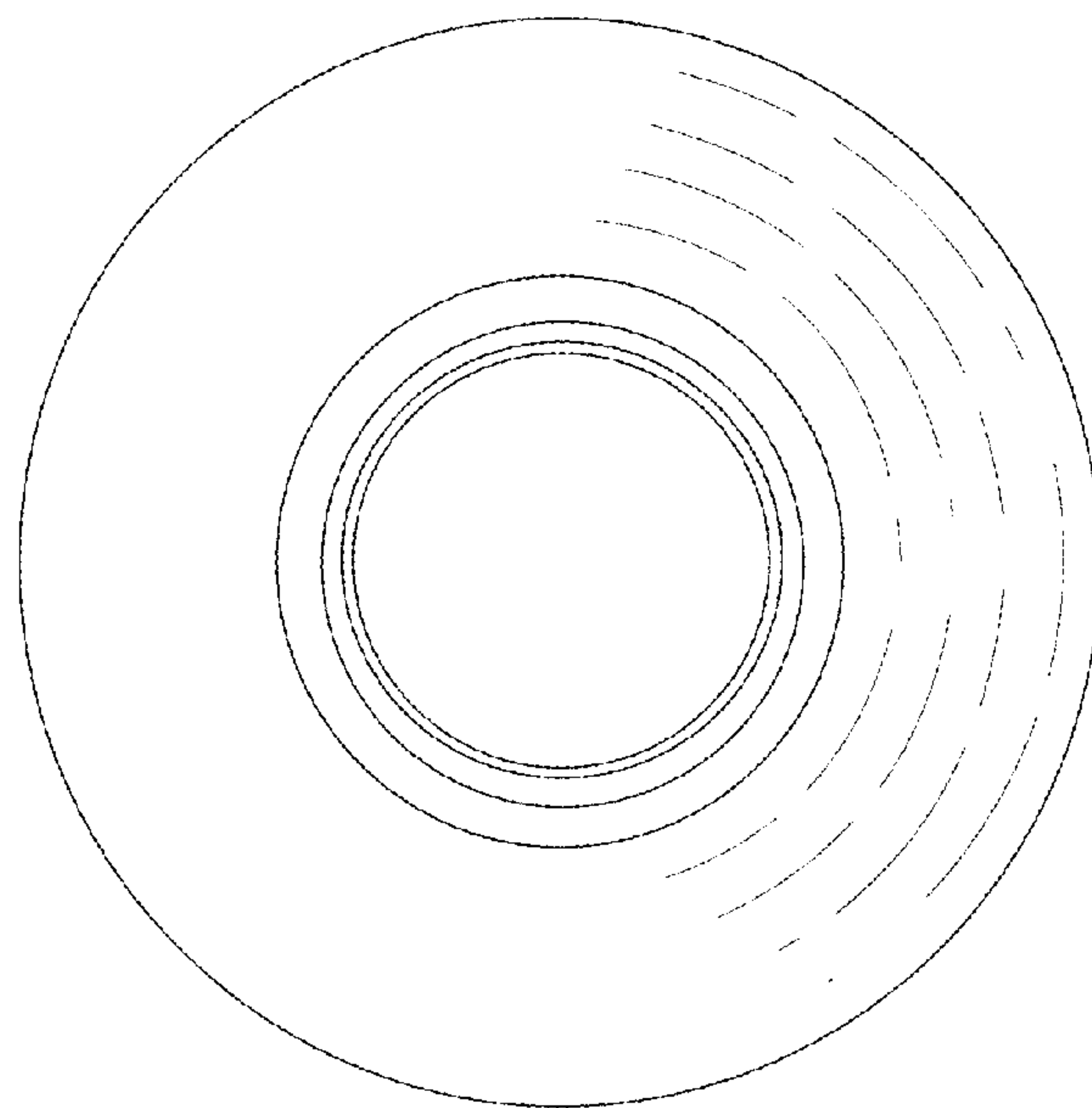
\* cited by examiner



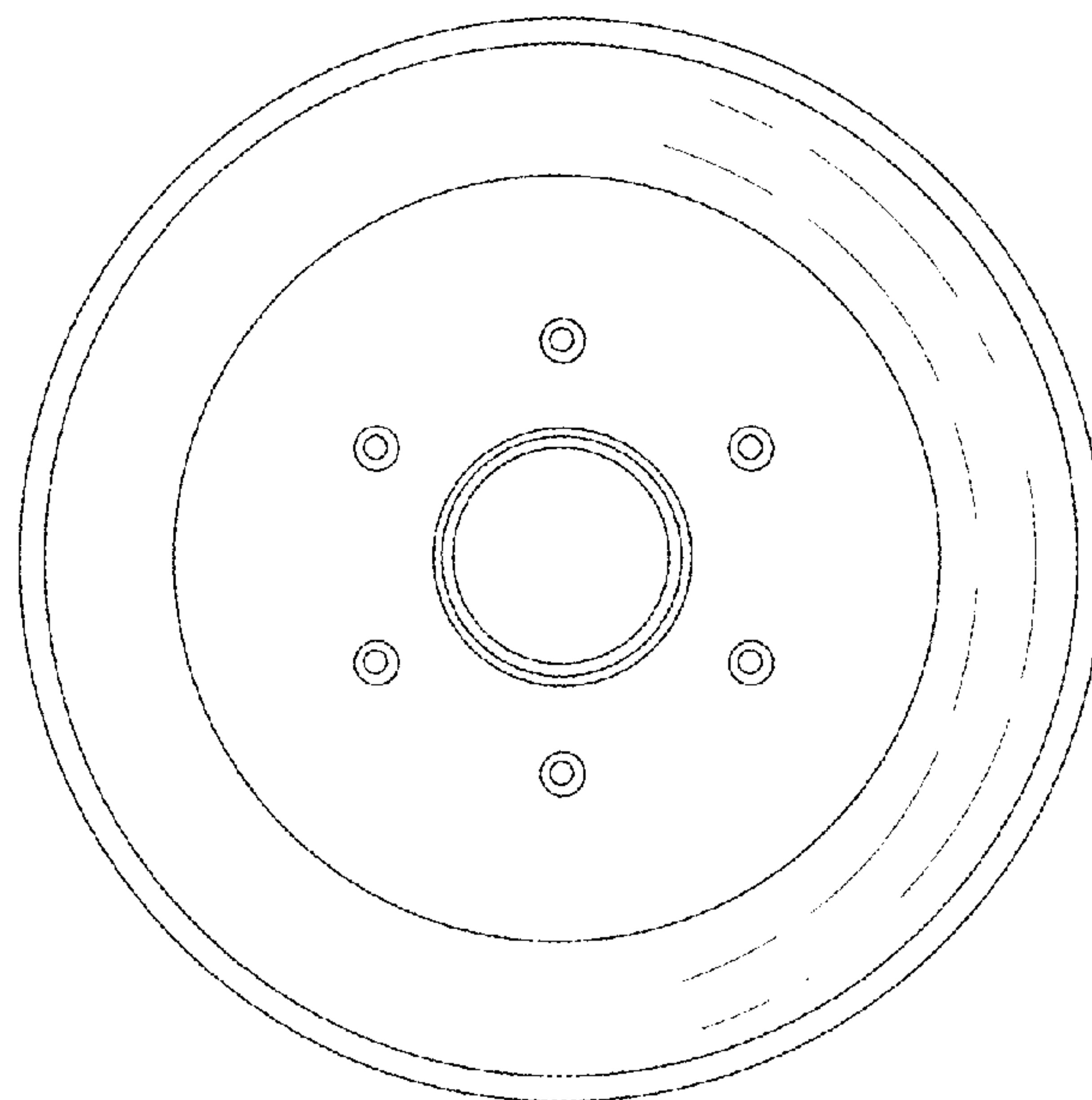
*Fig. 1*



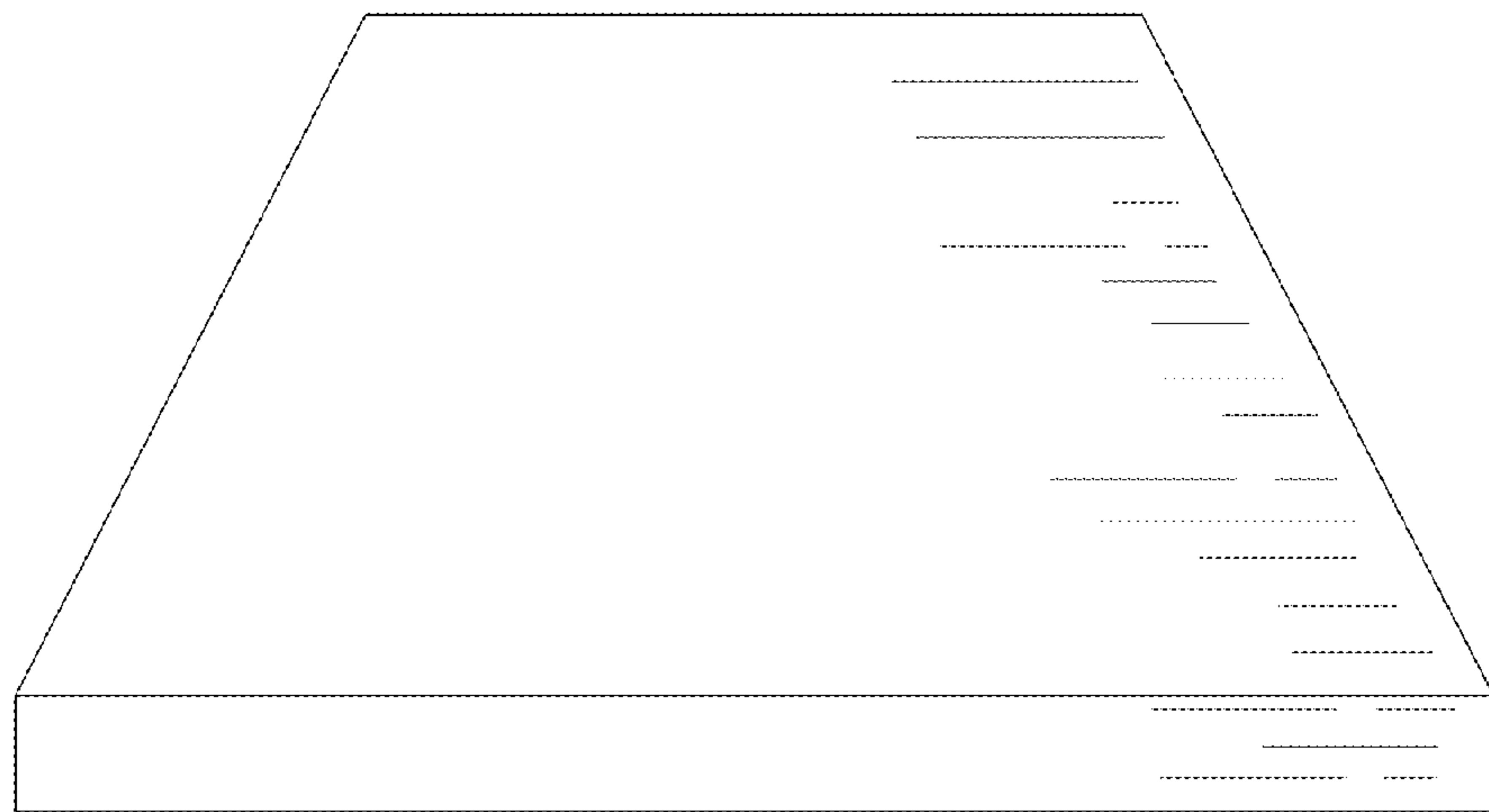
*Fig. 2*



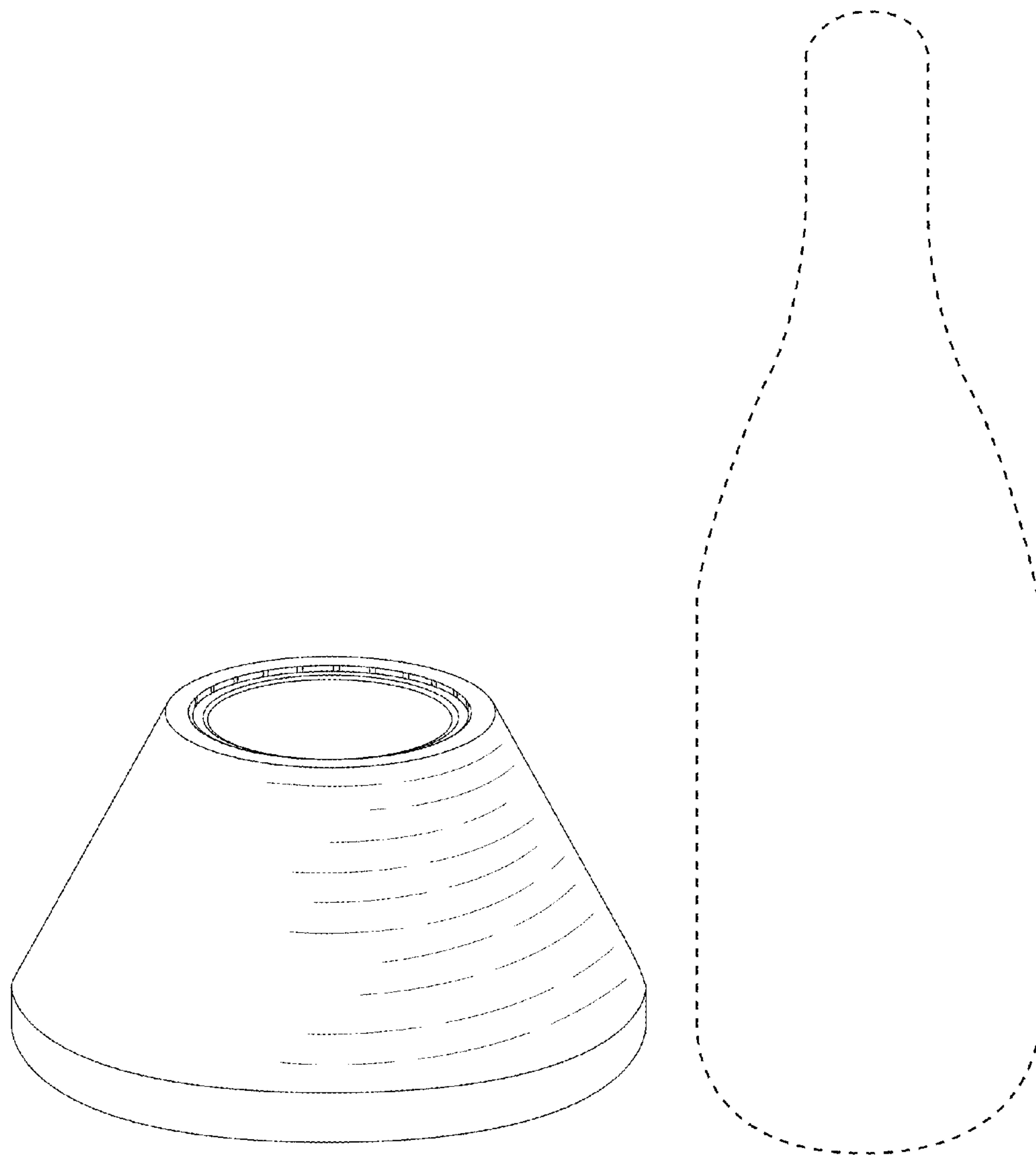
*Fig. 3*



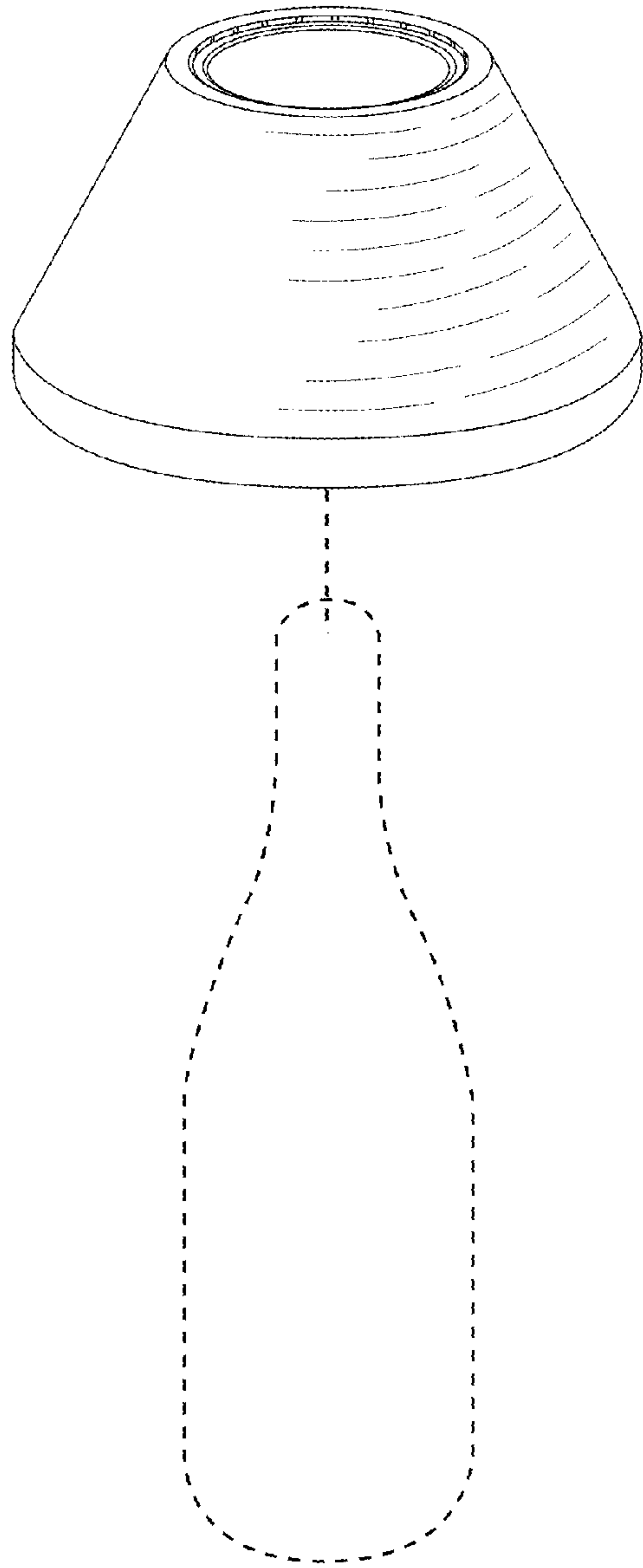
*Fig. 4*



*Fig. 5*

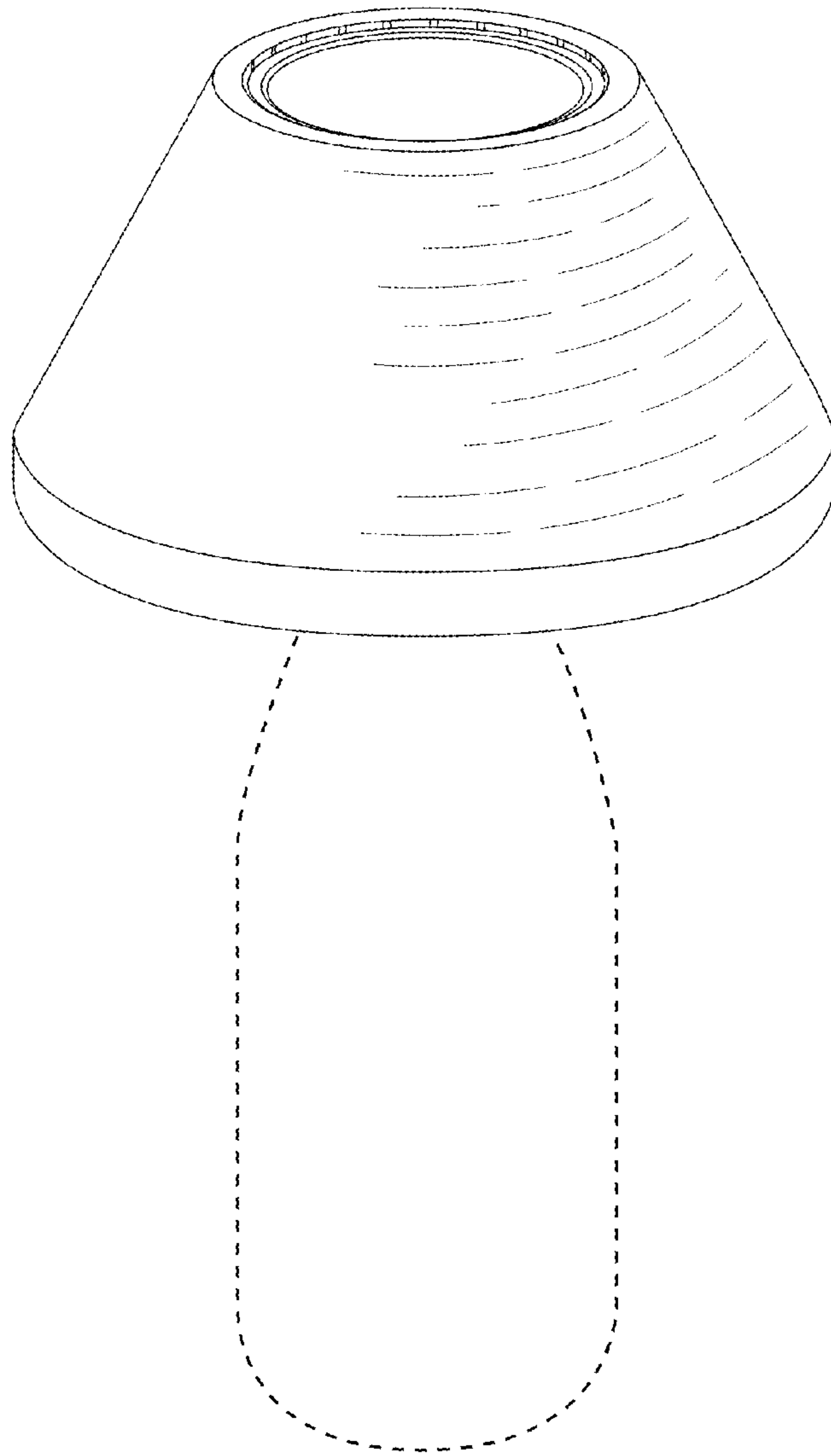


*Fig. 6*



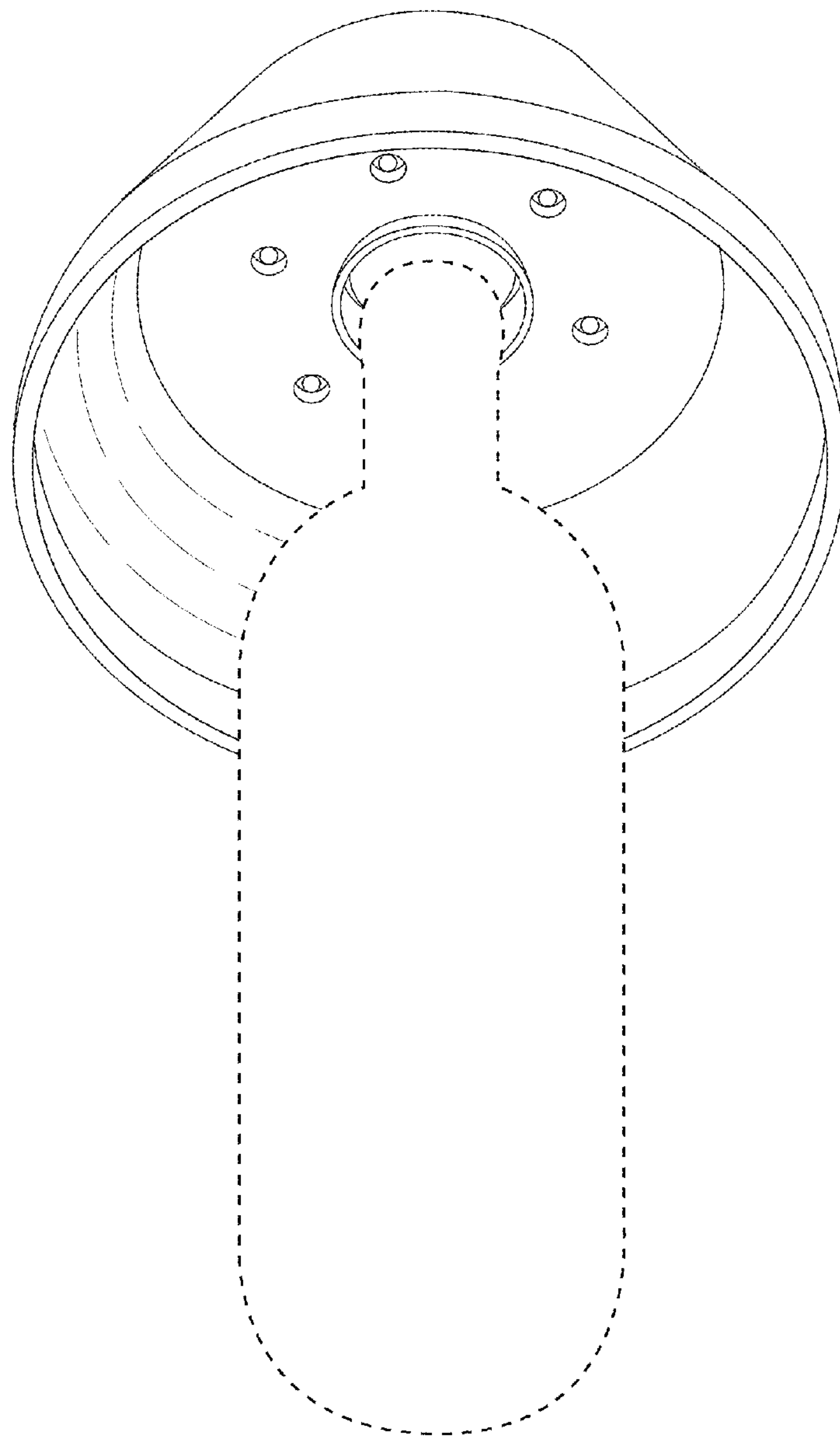
*Fig. 7*





*Fig. 8*





*Fig. 9*