



US00D746502S

(12) **United States Design Patent**  
**Kovac**

(10) **Patent No.:** **US D746,502 S**  
(45) **Date of Patent:** **\*\* Dec. 29, 2015**

(54) **LAMP**

(71) Applicant: **FUTUREBOY, LLC**, Los Angeles, CA  
(US)

(72) Inventor: **Jerry Michael Kovac**, Los Angeles, CA  
(US)

(73) Assignee: **FUTUREBOY, LLC**, Los Angeles, CA  
(US)

(\*\*) Term: **14 Years**

(21) Appl. No.: **29/502,052**

(22) Filed: **Sep. 11, 2014**

(51) **LOC (10) Cl.** ..... **26-03**

(52) **U.S. Cl.**  
USPC ..... **D26/63**; D26/98

(58) **Field of Classification Search**  
USPC ..... D26/73, 93-101, 142, 146, 147, 156,  
D26/61, 63; D11/131, 157, 158; D21/350,  
D21/361, 383, 385, 576, 611  
CPC ..... F21S 6/002; F21W 2101/00; F21W  
2121/00; F21W 2131/30  
See application file for complete search history.

(56) **References Cited**

**U.S. PATENT DOCUMENTS**

D303,158 S \* 8/1989 Charet ..... D26/61  
D544,133 S 6/2007 Kovac

D572,775 S \* 7/2008 Gibson ..... D11/158  
D650,538 S \* 12/2011 Anderson ..... D21/611  
D651,537 S \* 1/2012 Anguelidis ..... D11/158  
D704,282 S \* 5/2014 Hengel ..... D21/611  
D729,881 S \* 5/2015 Hengel ..... D21/611  
D732,546 S \* 6/2015 Leitman ..... D11/158  
D733,349 S \* 6/2015 Kim ..... D26/98

\* cited by examiner

*Primary Examiner* — Brian N Vinson

(74) *Attorney, Agent, or Firm* — Christie, Parker & Hale,  
LLP

(57) **CLAIM**

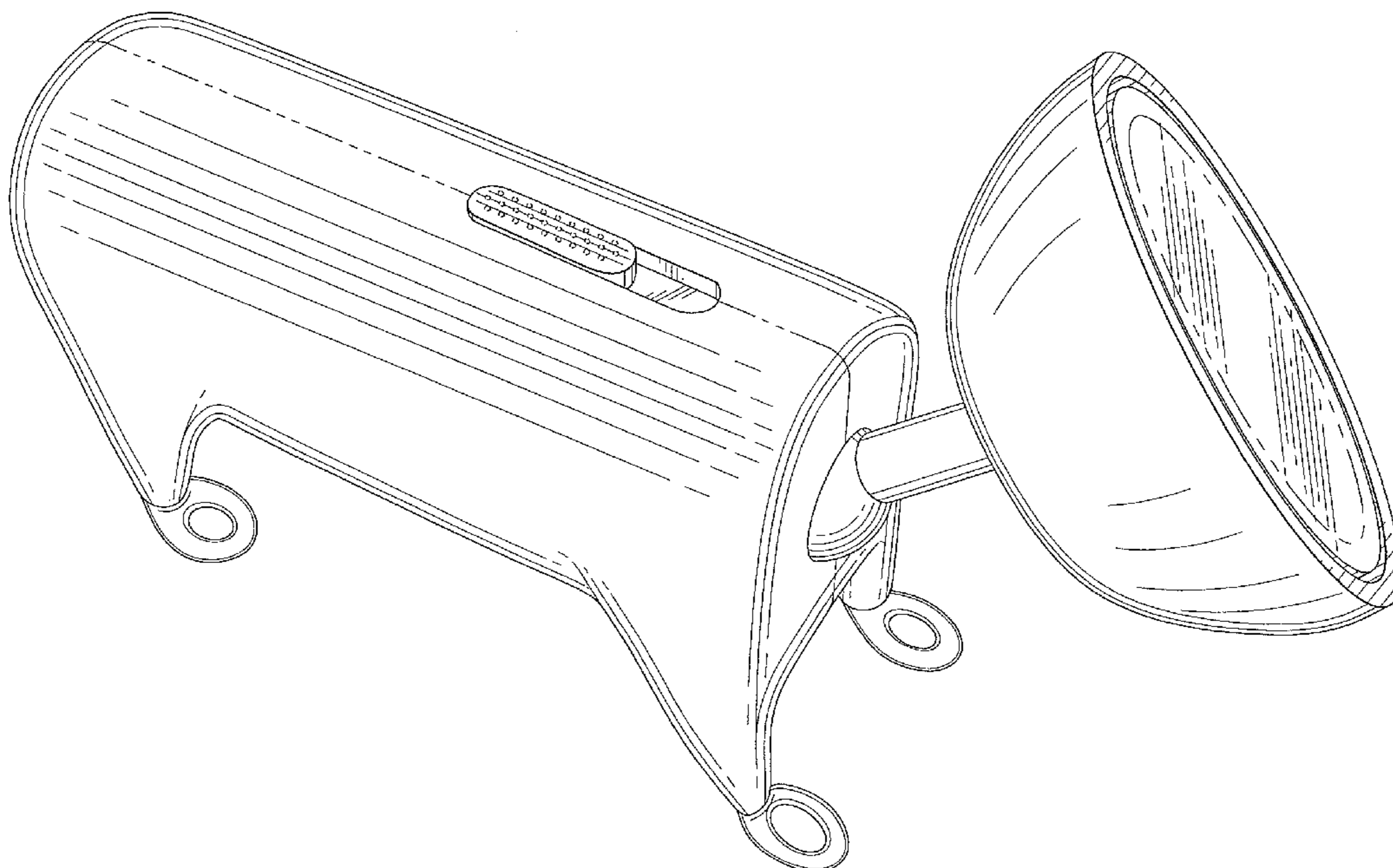
The ornamental design for a lamp, as shown and described.

**DESCRIPTION**

FIG. 1 is a front-top-right perspective view of a lamp embodi-  
ment showing my new design;  
FIG. 2 is a back-top-left perspective view thereof with the  
lamp head in a different orientation;  
FIG. 3 is a top view thereof;  
FIG. 4 is a right side elevational view thereof; the left side  
elevational view being similar;  
FIG. 5 is a bottom view thereof;  
FIG. 6 is a front view thereof; and,  
FIG. 7 is a back view thereof.

The broken-line disclosure represents portions of the lamp  
which form no part of the claimed design.

**1 Claim, 6 Drawing Sheets**



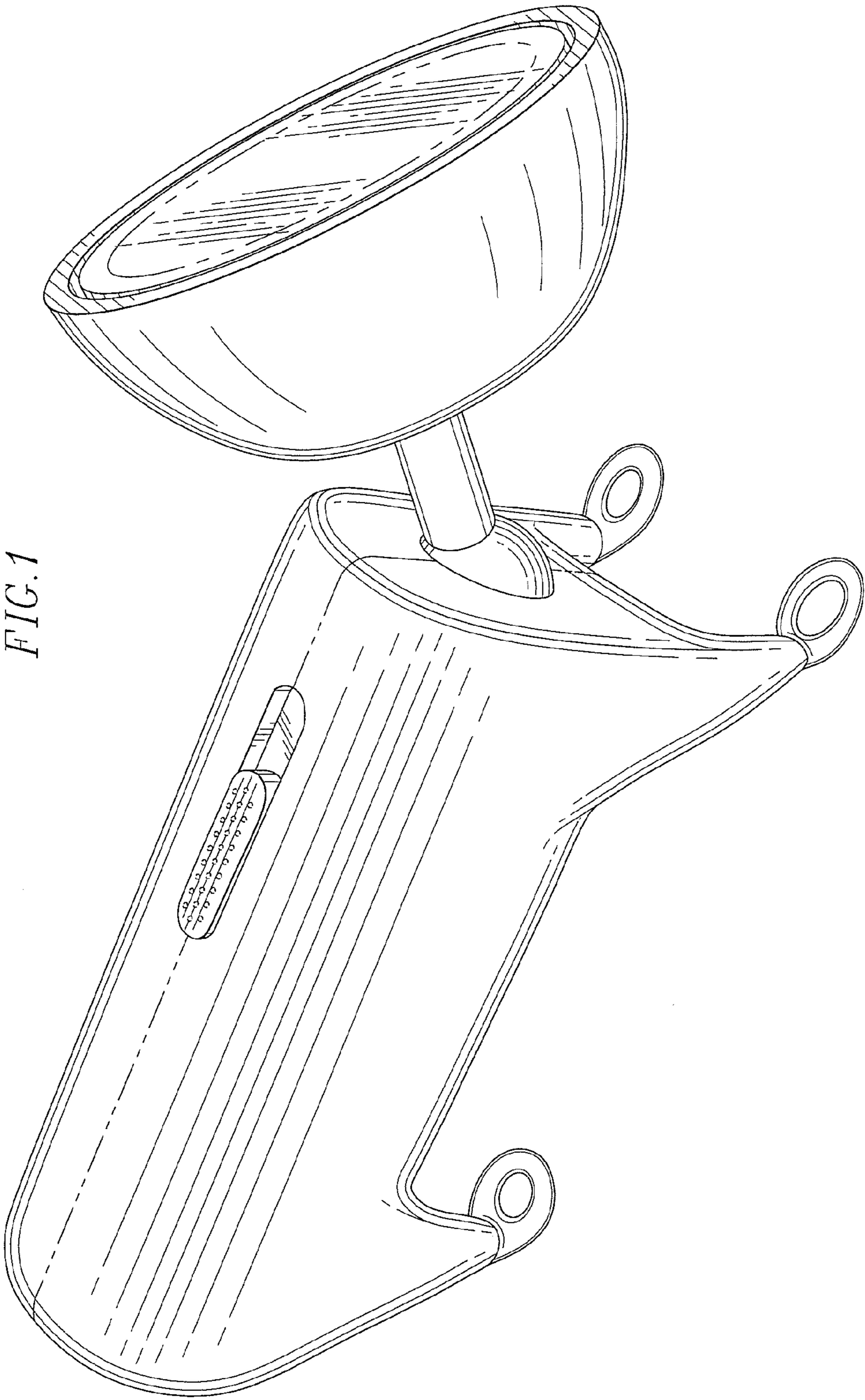
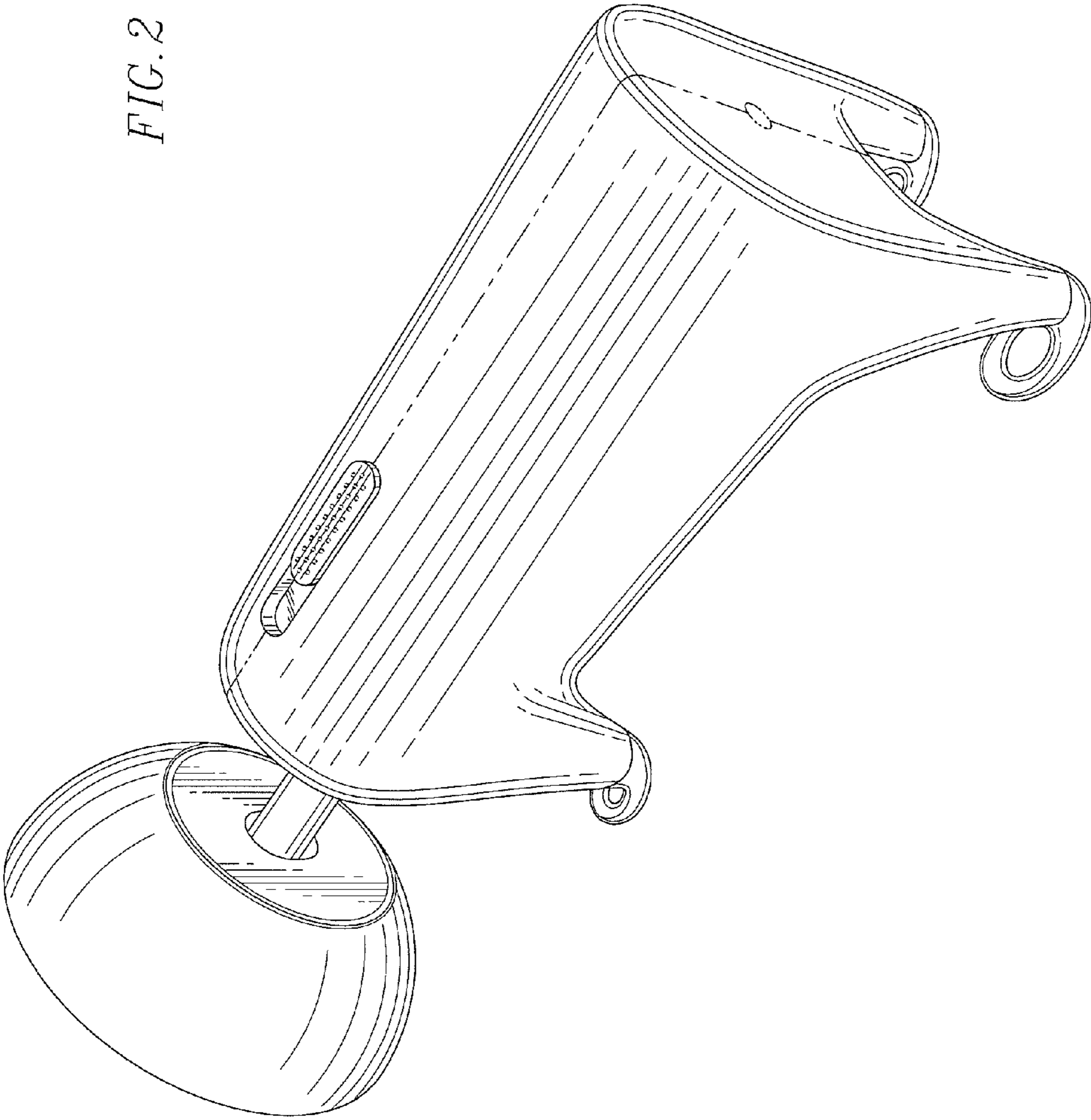


FIG. 1

FIG. 2



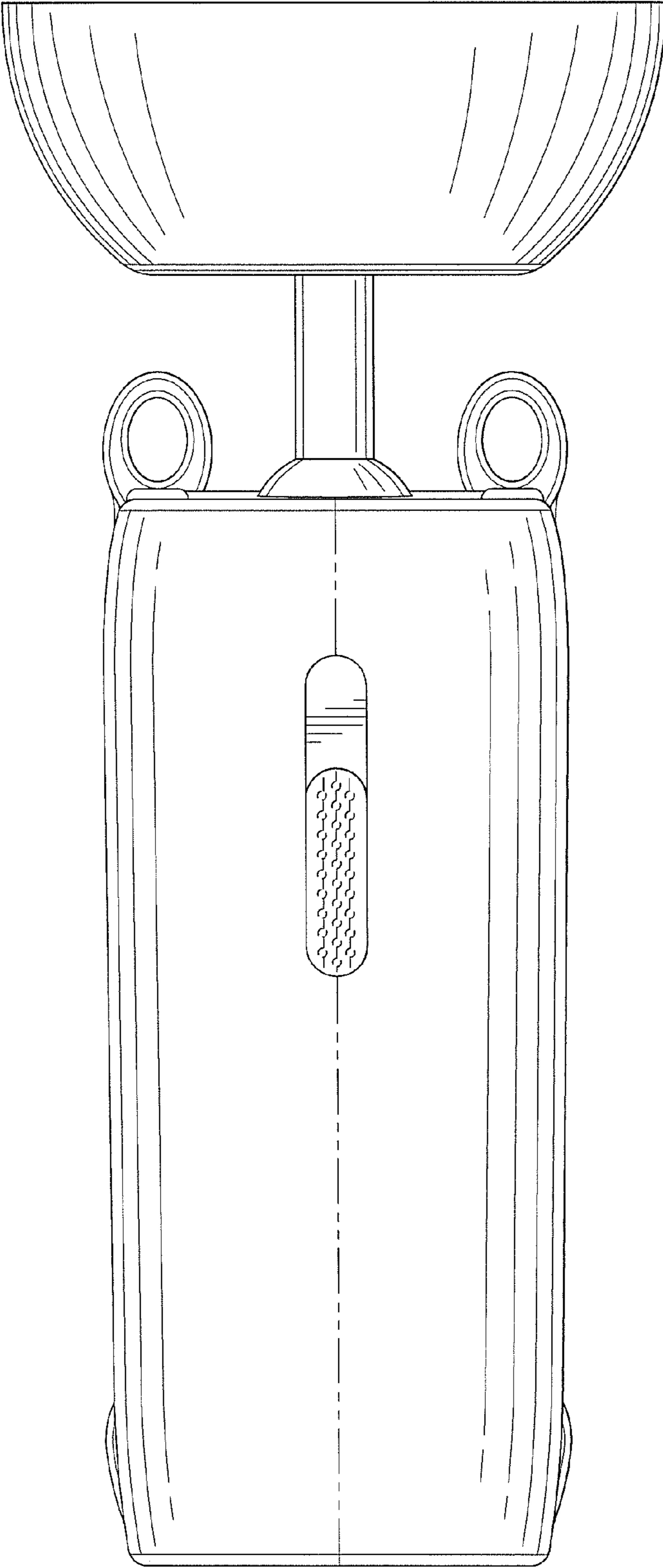
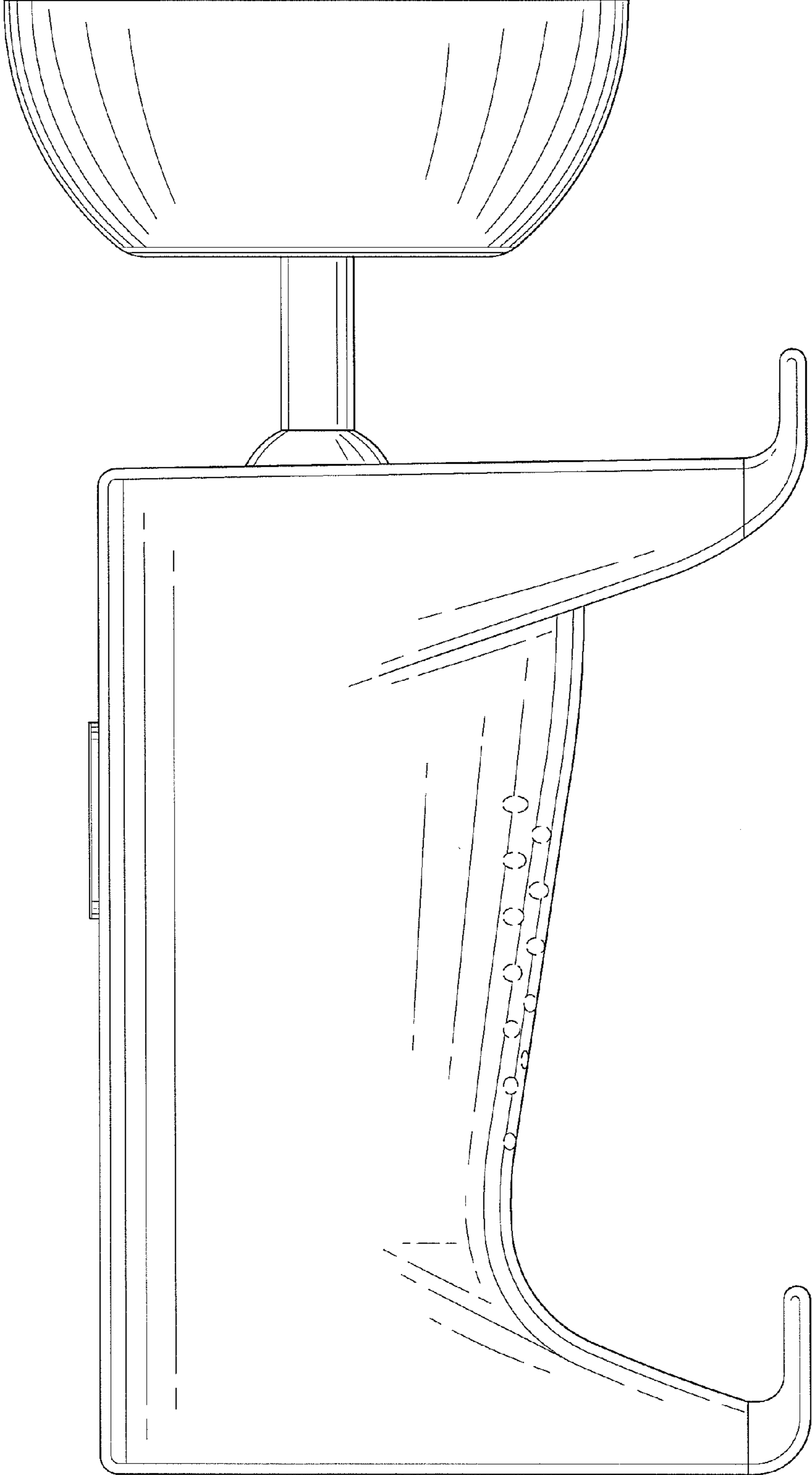


FIG. 3

FIG. 4



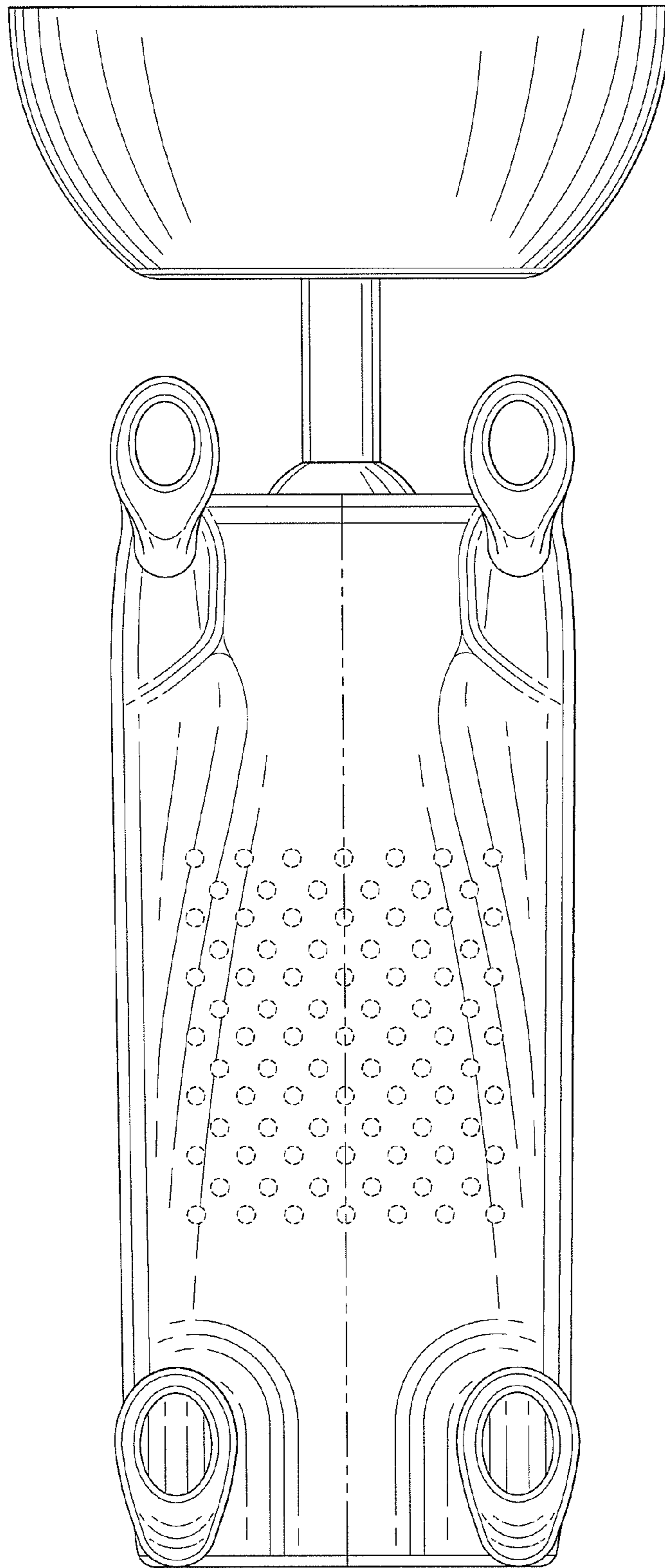


FIG. 5

FIG. 7

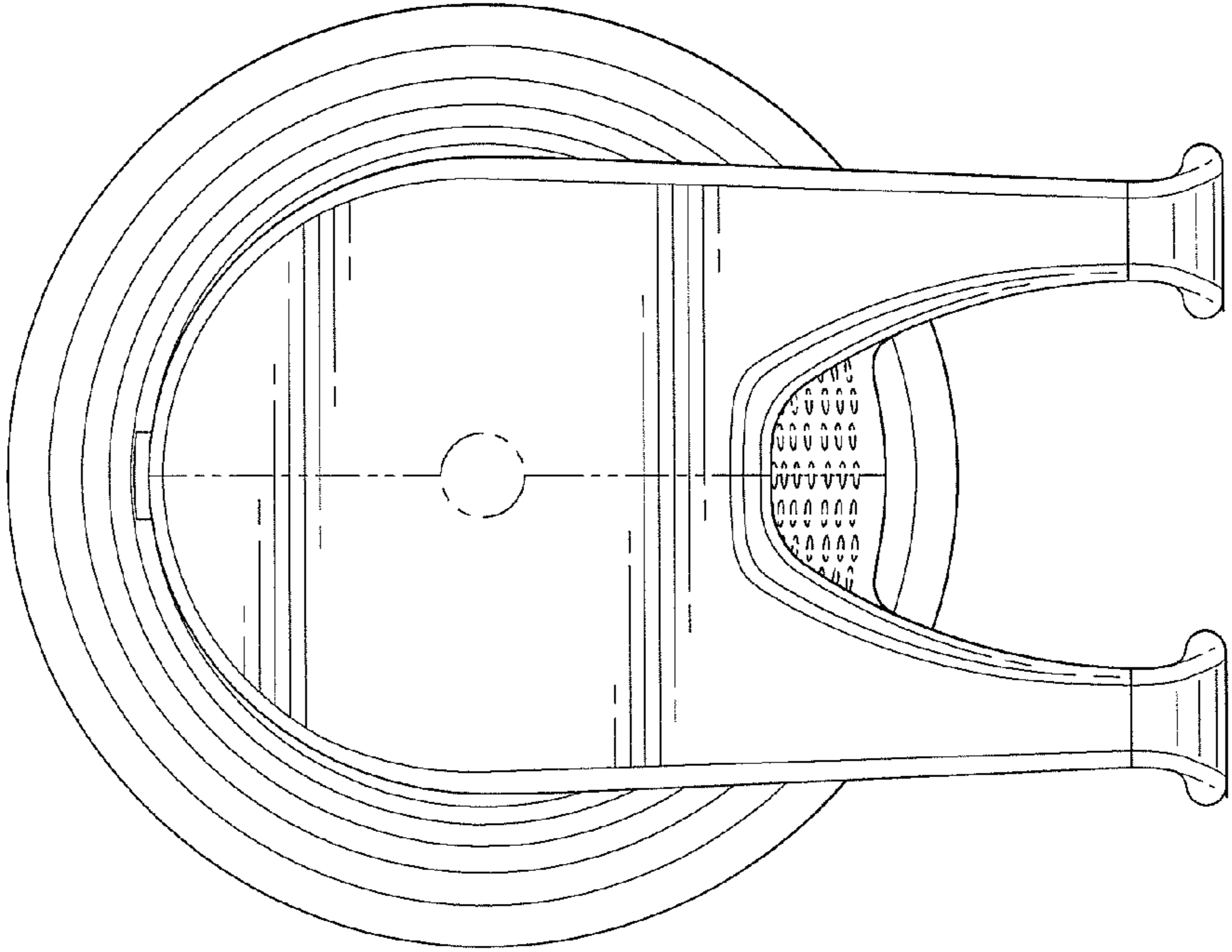


FIG. 6

