



US00D746501S

(12) **United States Design Patent**
Chen

(10) **Patent No.:** **US D746,501 S**

(45) **Date of Patent:** **** Dec. 29, 2015**

(54) **BICYCLE LIGHT**

(71) Applicant: **Planet Bike, LLC**, Madison, WI (US)

(72) Inventor: **Sheng Tsung Chen**, Taipei (TW)

(73) Assignee: **Planet Bike, LLC**, Madison, WI (US)

(**) Term: **14 Years**

(21) Appl. No.: **29/457,978**

(22) Filed: **Jun. 14, 2013**

(30) **Foreign Application Priority Data**

Feb. 8, 2013 (TW) 102301155 U

Feb. 22, 2013 (CN) 2013 3 0043900

(51) **LOC (10) Cl.** **26-05**

(52) **U.S. Cl.**
USPC **D26/60; D26/28**

(58) **Field of Classification Search**

USPC D26/60, 28-36, 28-40, 45, 46, 49;
D10/111, 114.1, 114.3, 114.9;
362/459-468, 475-478, 485-487

CPC B62J 6/02; B62J 6/003
See application file for complete search history.

(56) **References Cited**

U.S. PATENT DOCUMENTS

4,787,014 A * 11/1988 Wodder et al. 362/473
D374,944 S * 10/1996 Yuen D26/28

(Continued)

OTHER PUBLICATIONS

Dan. "Benex Wind-Up Front Bicycle Light." *Enviro Gadget.*, Jan. 29, 2009 [online], [retrieved on Nov. 3, 2014]. Retrieved from the

Internet <URL: <http://www.envirogadget.com/lamps-and-lights/benex-wind-up-front-bicycle-light/>>.*

(Continued)

Primary Examiner — Philip S Hyder

Assistant Examiner — Darlington Ly

(74) *Attorney, Agent, or Firm* — Jeffrey W. Smith; Smith Law Office

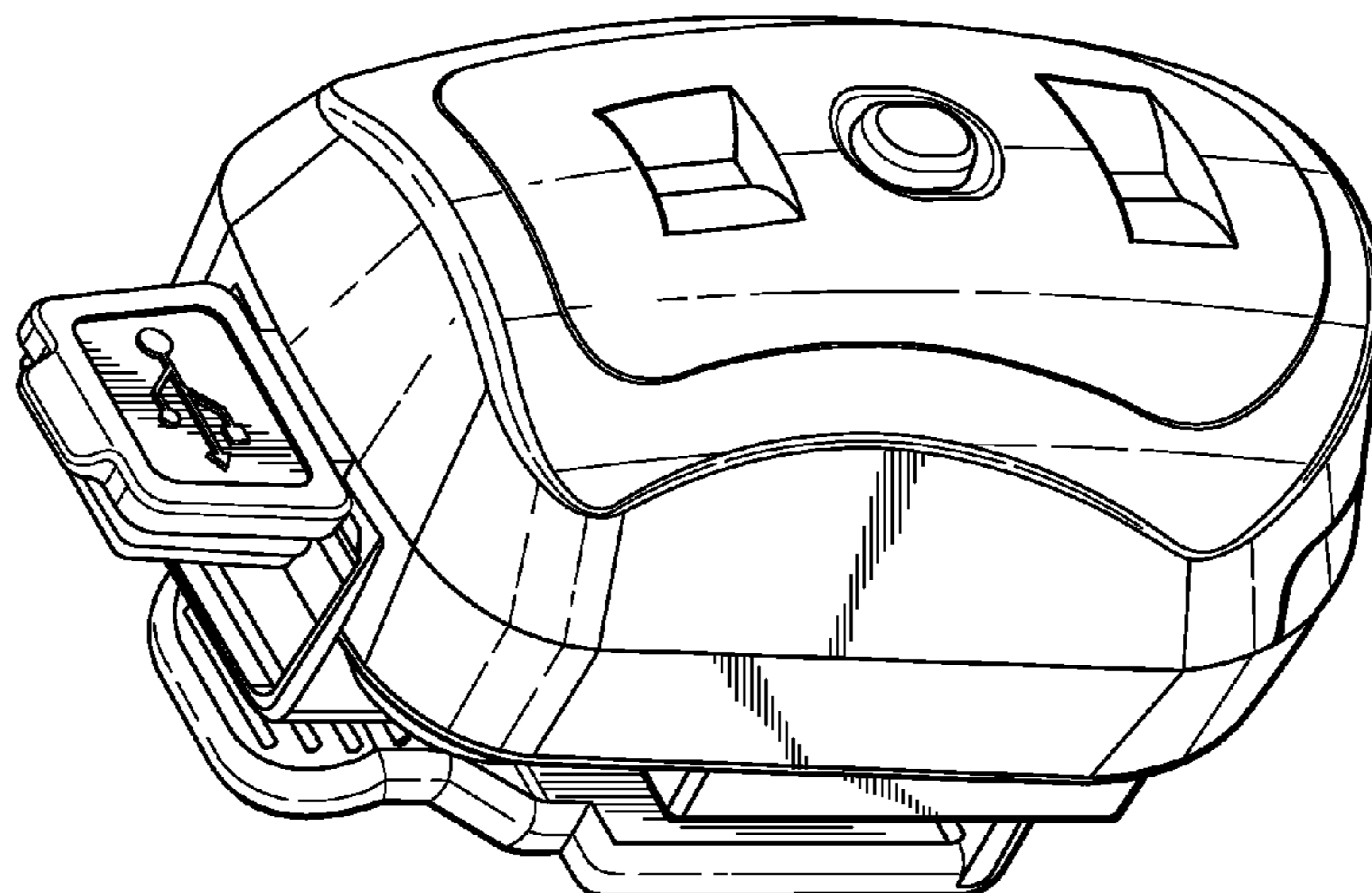
(57) **CLAIM**

The ornamental design for a bicycle light, as shown and described.

DESCRIPTION

FIG. 1 is a lower left perspective view of the bicycle light; FIG. 2 is a front view of the bicycle light of FIG. 1; FIG. 3 is a rear view of the bicycle light of FIG. 1; FIG. 4 is a right side view of the bicycle light of FIG. 1; FIG. 5 is a left side view of the bicycle light of FIG. 1; FIG. 6 is a top plan view of the bicycle light of FIG. 1; FIG. 7 is a bottom view of the bicycle light; FIG. 8 is a lower left perspective view of the bicycle light with a USB connector on the bottom and a USB connector cover in a closed position; FIG. 9 is a lower left perspective view of the bicycle light of FIG. 8 with a USB connector on the bottom and a USB connector cover in an opened position; FIG. 10 is a front view of the bicycle light of FIG. 8 with the USB connector cover in a closed position; FIG. 11 is a rear view of the bicycle light of FIG. 8 with the USB connector cover in a closed position; FIG. 12 is a right side view of the bicycle light of FIG. 8 with the USB connector cover in a closed position; FIG. 13 is a left side view of the bicycle light of FIG. 8 with the USB connector cover in a closed position; FIG. 14 is a top plan view of the bicycle light of FIG. 8 with the USB connector cover in a closed position; and, FIG. 15 is a bottom view of the bicycle light of FIG. 8 with the USB connector cover in a closed position.

1 Claim, 8 Drawing Sheets



(56)

References Cited

U.S. PATENT DOCUMENTS

D389,255 S * 1/1998 Nagano D26/28
D416,639 S * 11/1999 Anwyl-Davies D26/37
D443,084 S * 5/2001 Nagano D26/28
D511,583 S * 11/2005 Tanaka et al. D26/28
D528,230 S * 9/2006 Nagano D26/28
D537,182 S * 2/2007 Chou D26/37
D544,388 S * 6/2007 Chisholm D10/114.2
D590,083 S * 4/2009 Petzl D26/39
D590,975 S * 4/2009 Ma D26/60
D592,340 S * 5/2009 Liao et al. D26/60
D609,378 S * 2/2010 Lee D26/60
D616,127 S * 5/2010 Taiga D26/60
D631,995 S * 2/2011 Huschke D26/28

D633,635 S * 3/2011 Poon D26/60
D656,644 S * 3/2012 Lee D26/39
2005/0018421 A1* 1/2005 Parsons 362/196
2013/0301285 A1* 11/2013 McCaslin et al. 362/473

OTHER PUBLICATIONS

Sawhney, Radhika. "Solar Rydon Pixio Bike Light Stores Sunlight for Safer Cycling at Night." Inhabitat., Jun. 26, 2013 [online], [retrieved on Nov. 3, 2014]. Retrieved from the Internet <URL: <http://inhabitat.com/solar-rydon-pixio-bike-light-stores-sunlight-during-the-day-for-safer-cycling-at-night/>>.*
Petition Under 37 CFR 1.182 filed on Jun. 24, 2015, in similar U.S. Appl. No. 29/457,977.
Design U.S. Appl. No. 29/457,977, filed Jun. 14, 2013.

* cited by examiner

Fig. 1

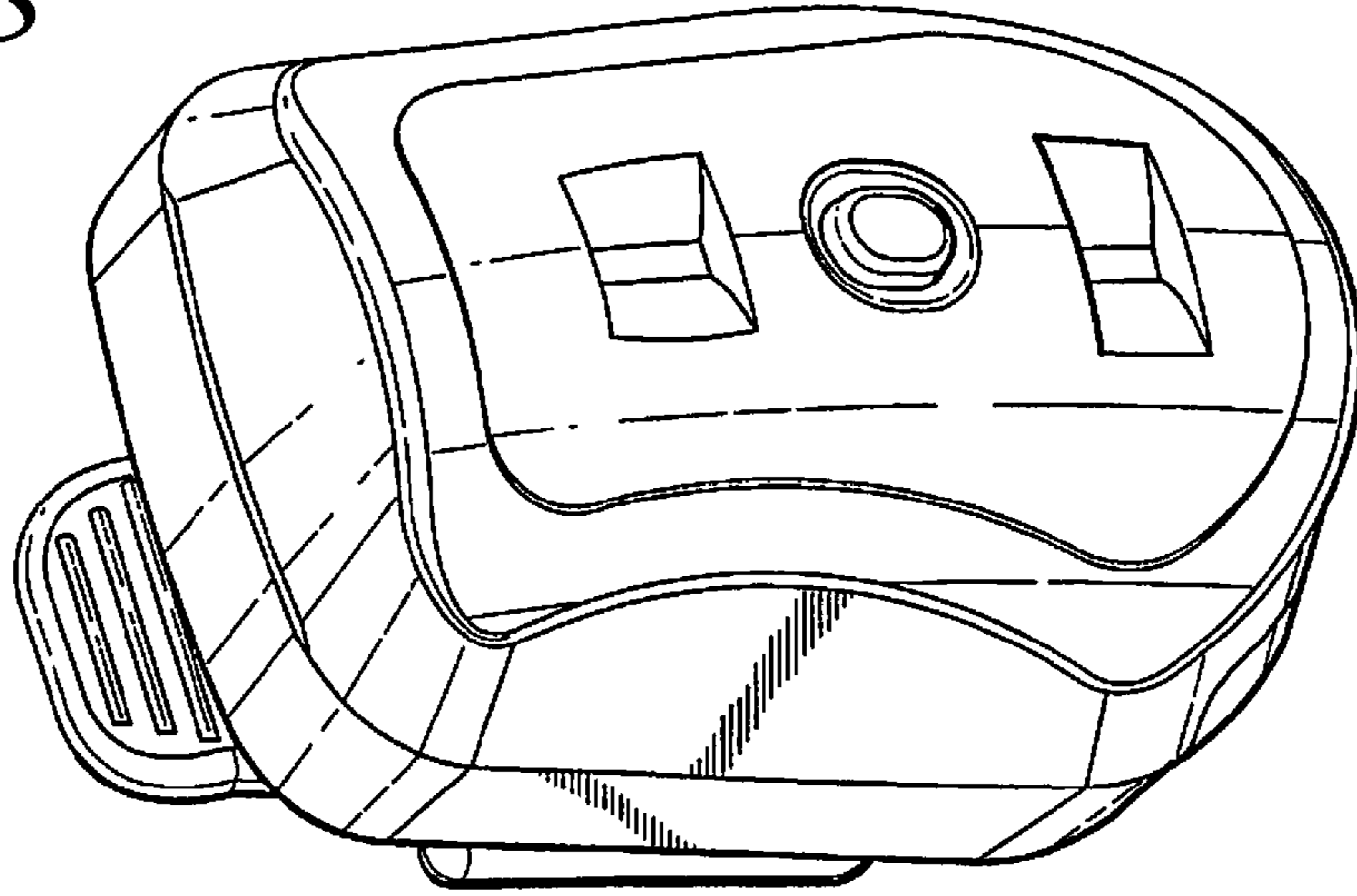


Fig. 2

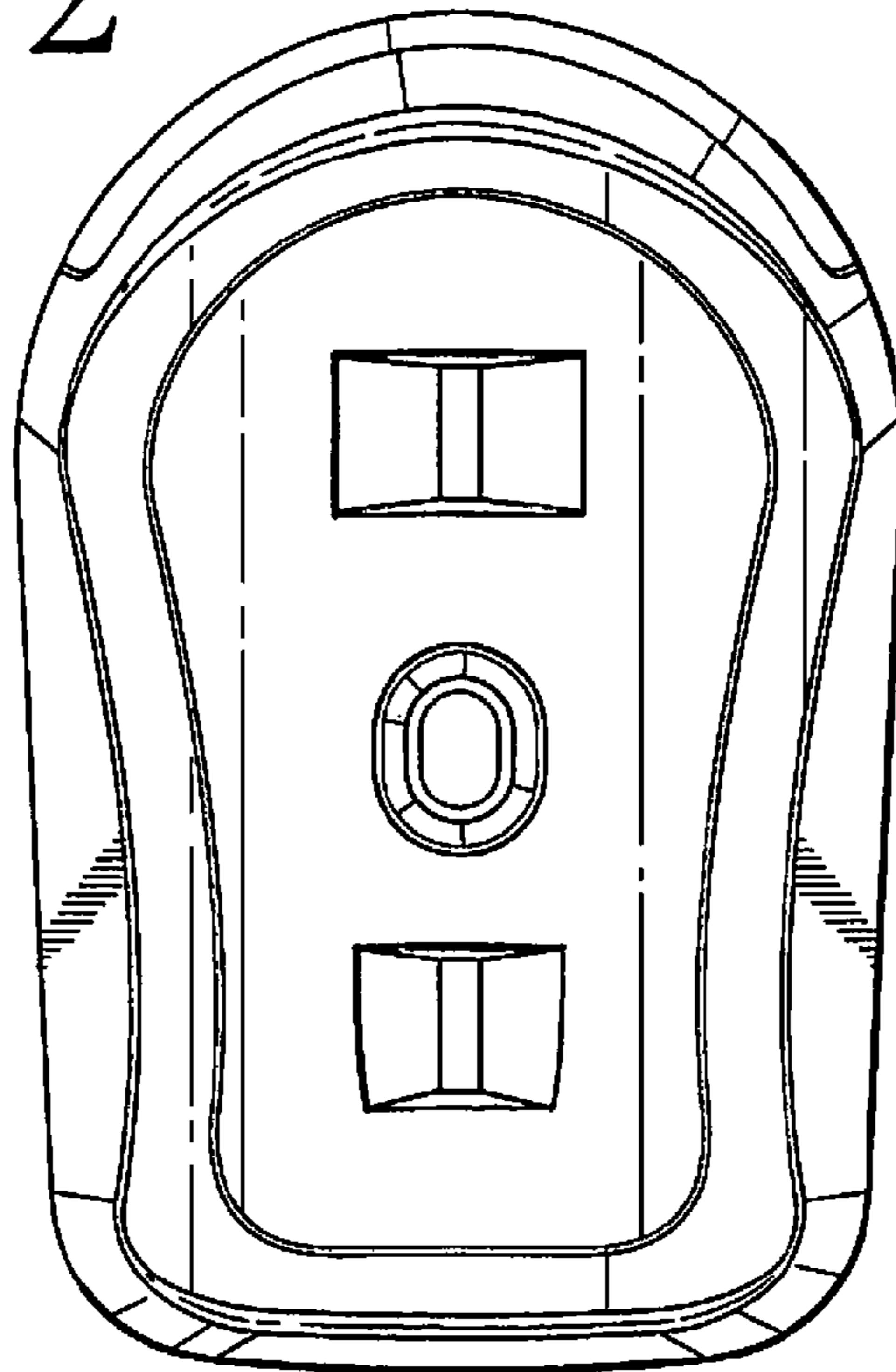


Fig. 3

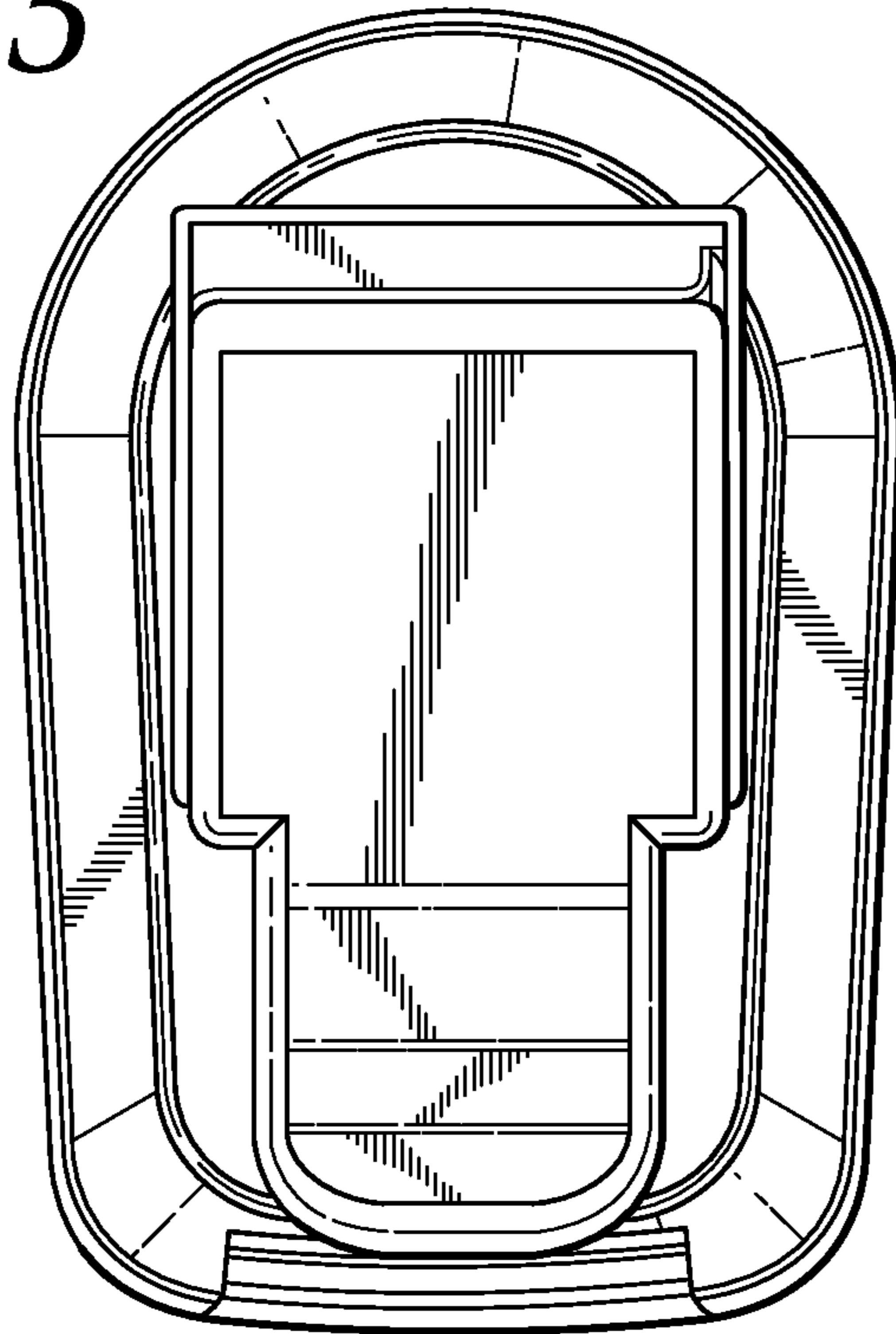


Fig. 4

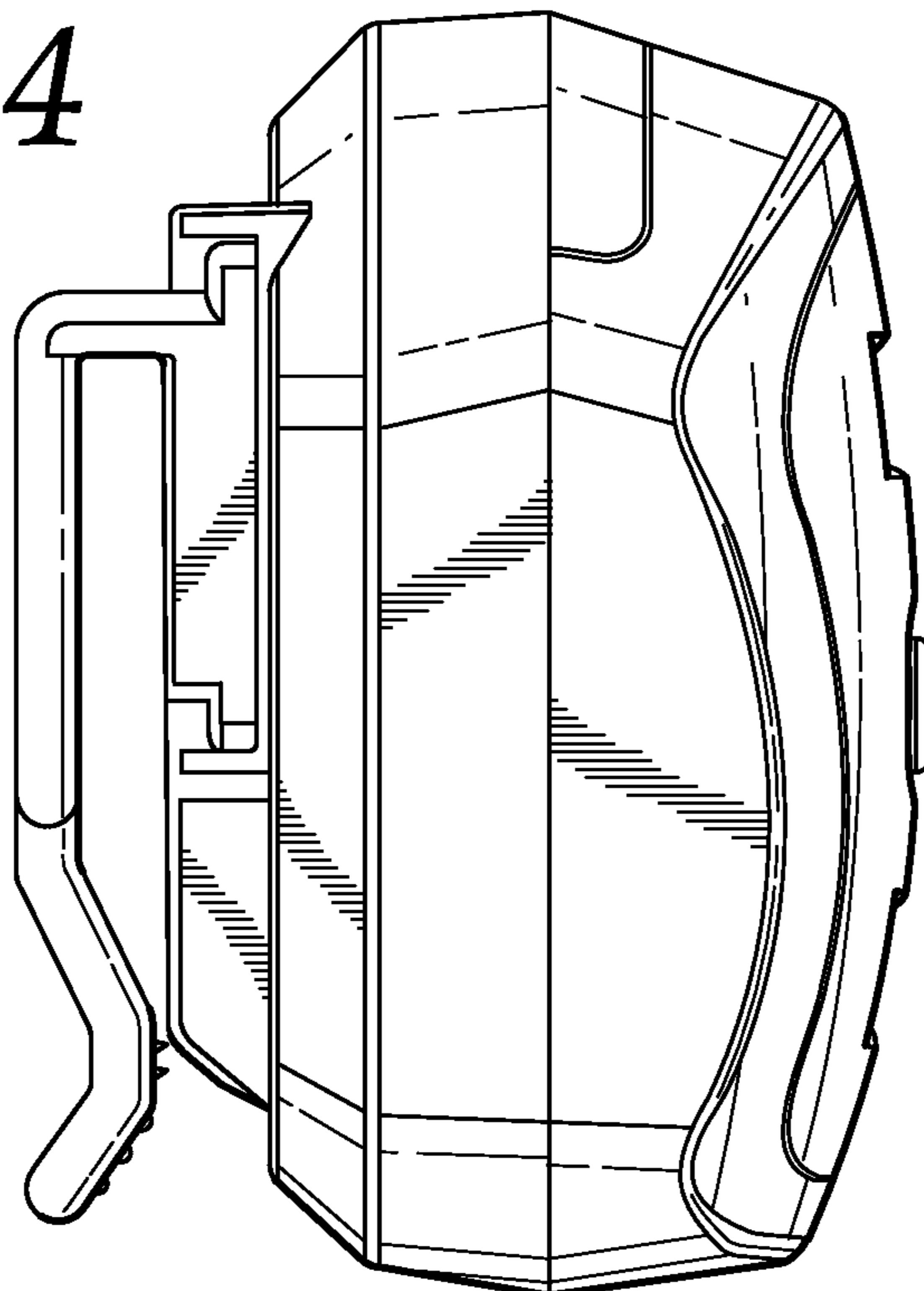


Fig. 5

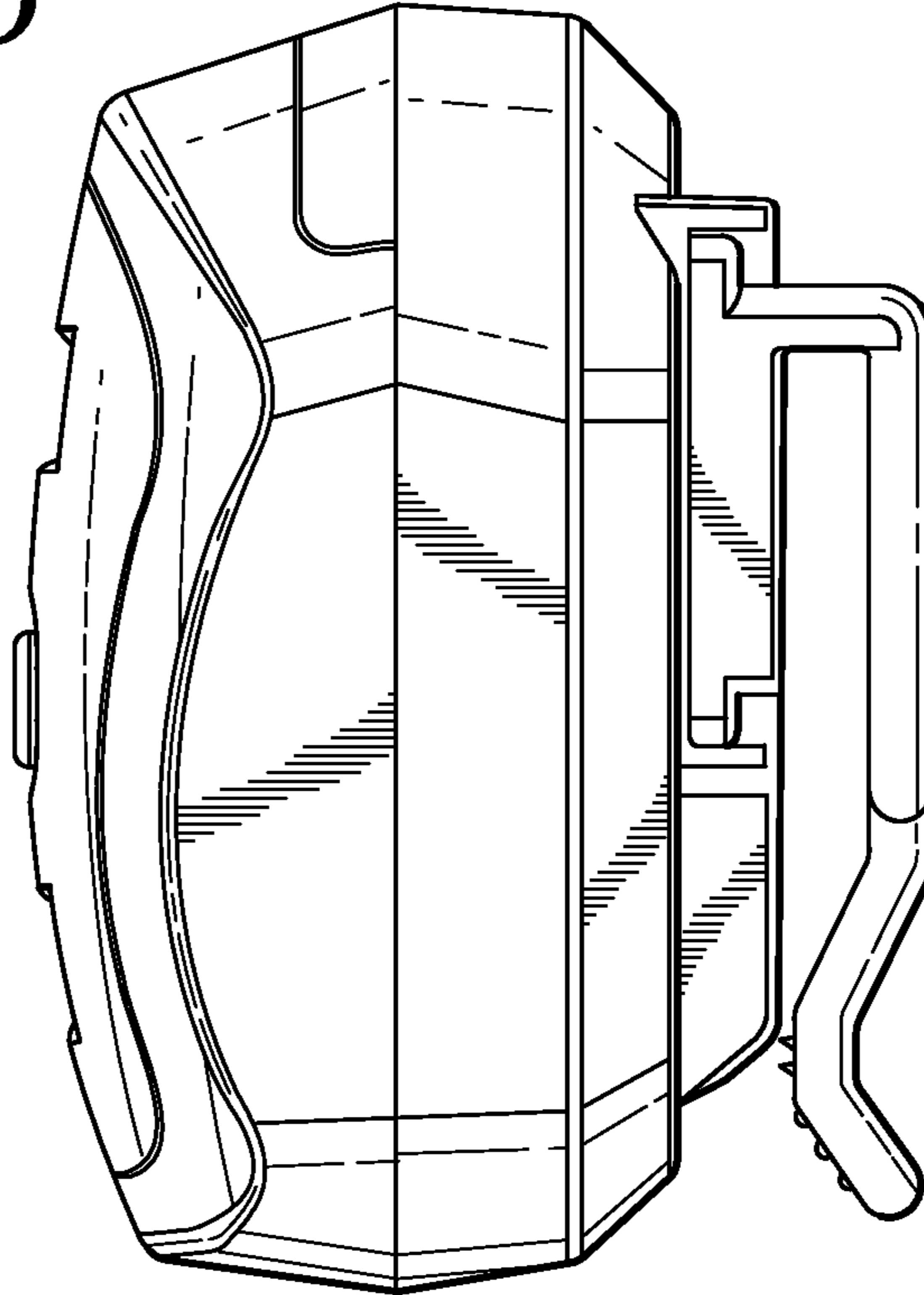


Fig. 6

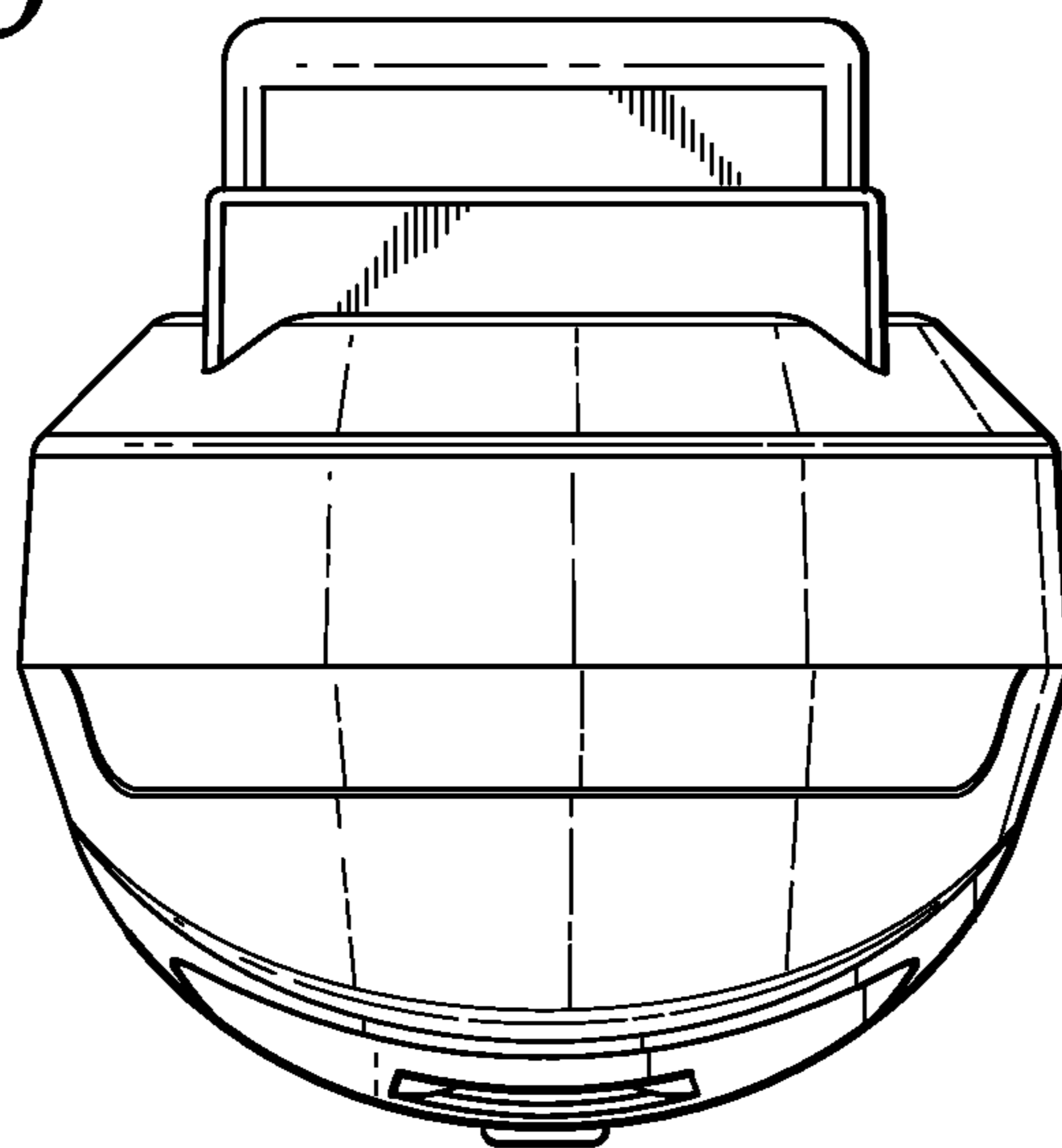


Fig. 7

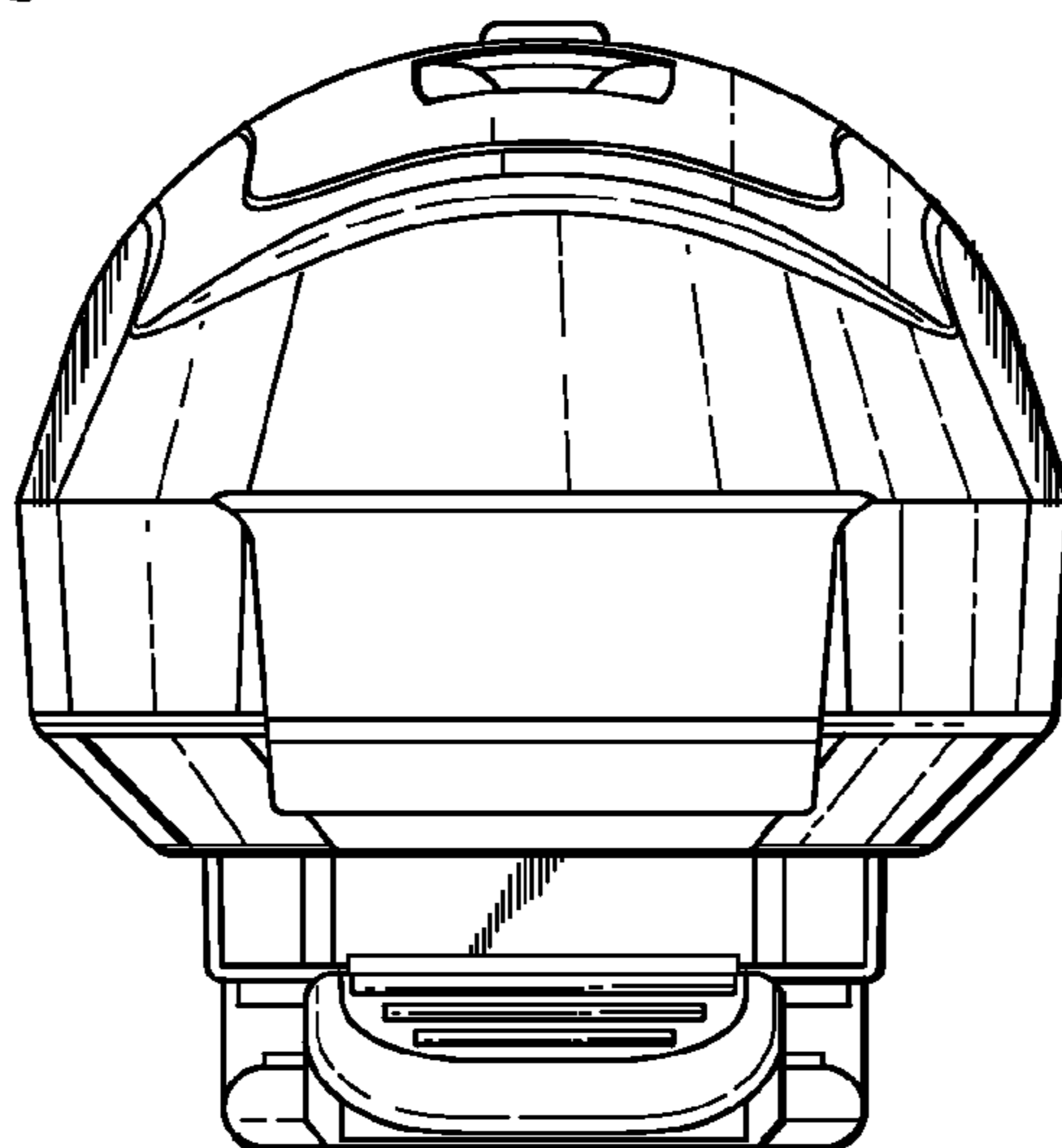


Fig. 8

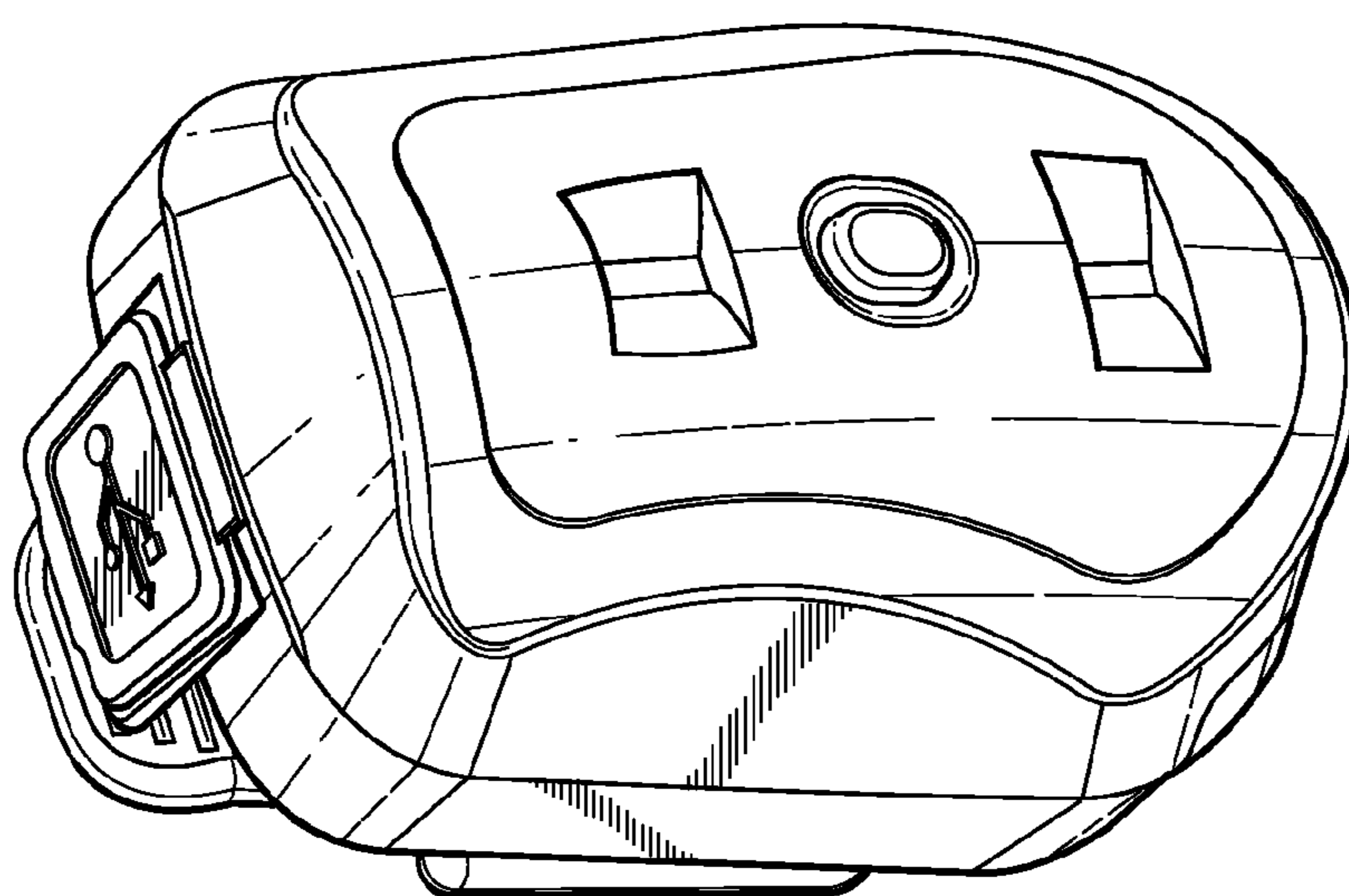


Fig. 9

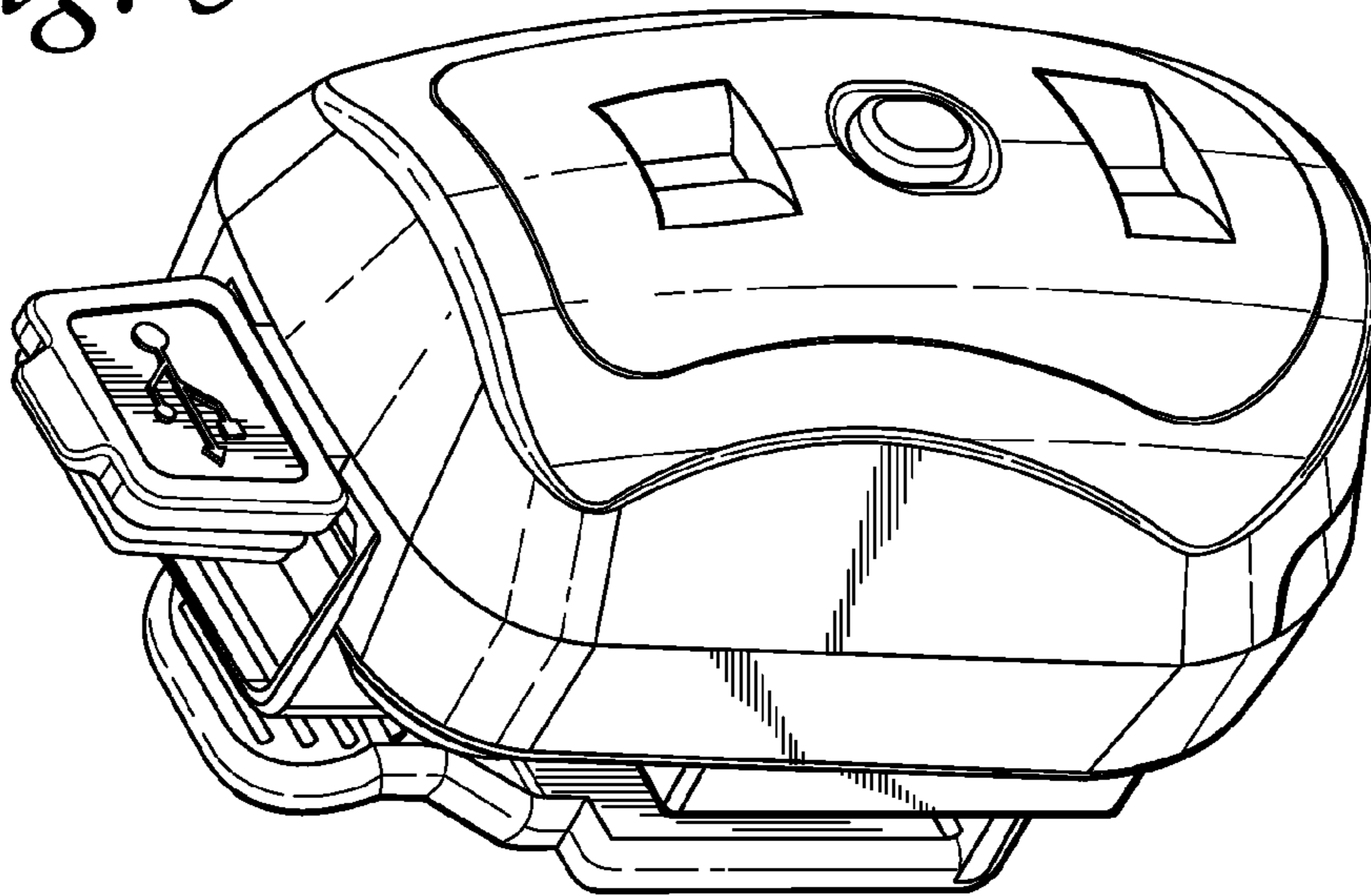


Fig. 10

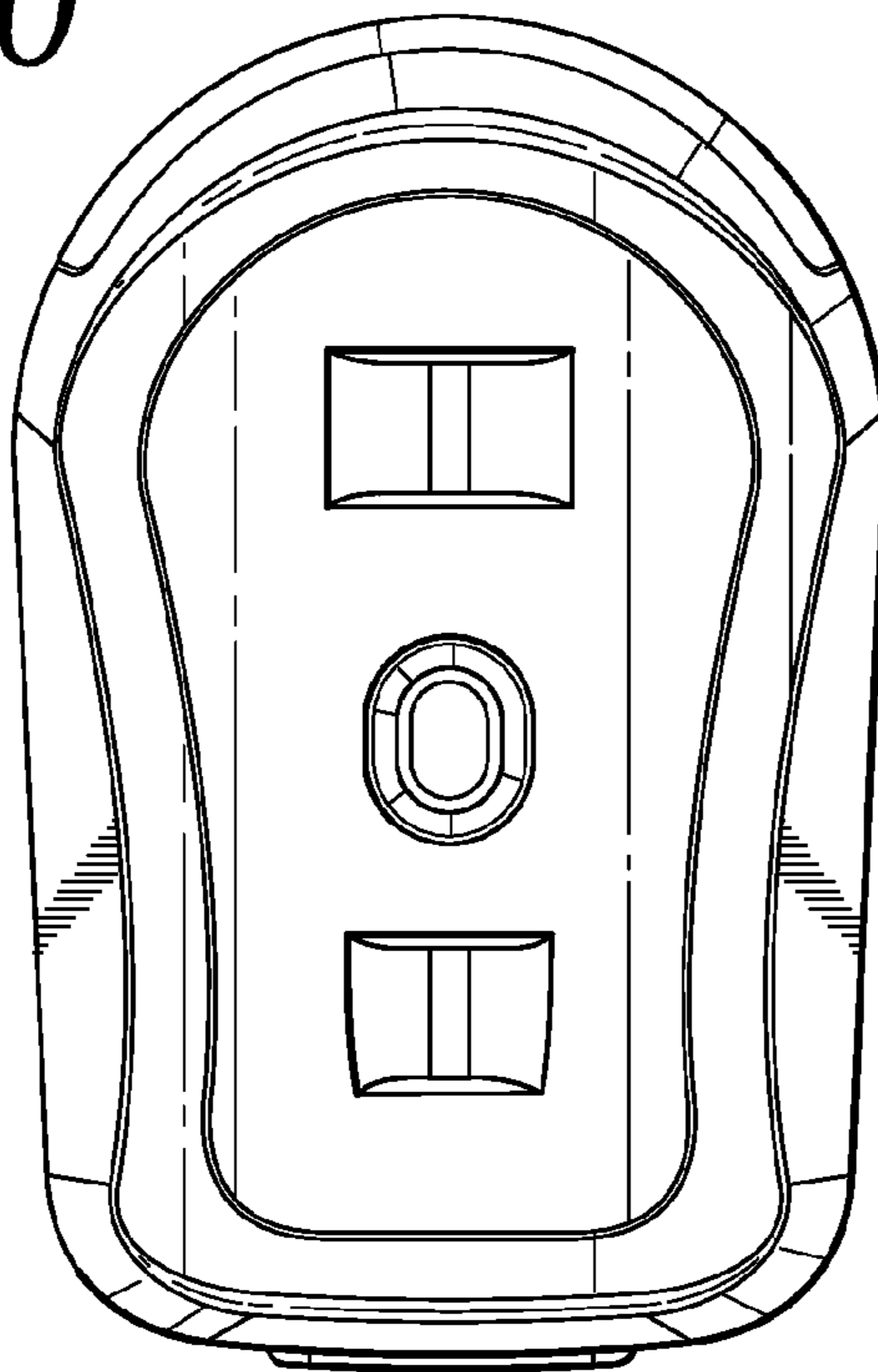


Fig. 11

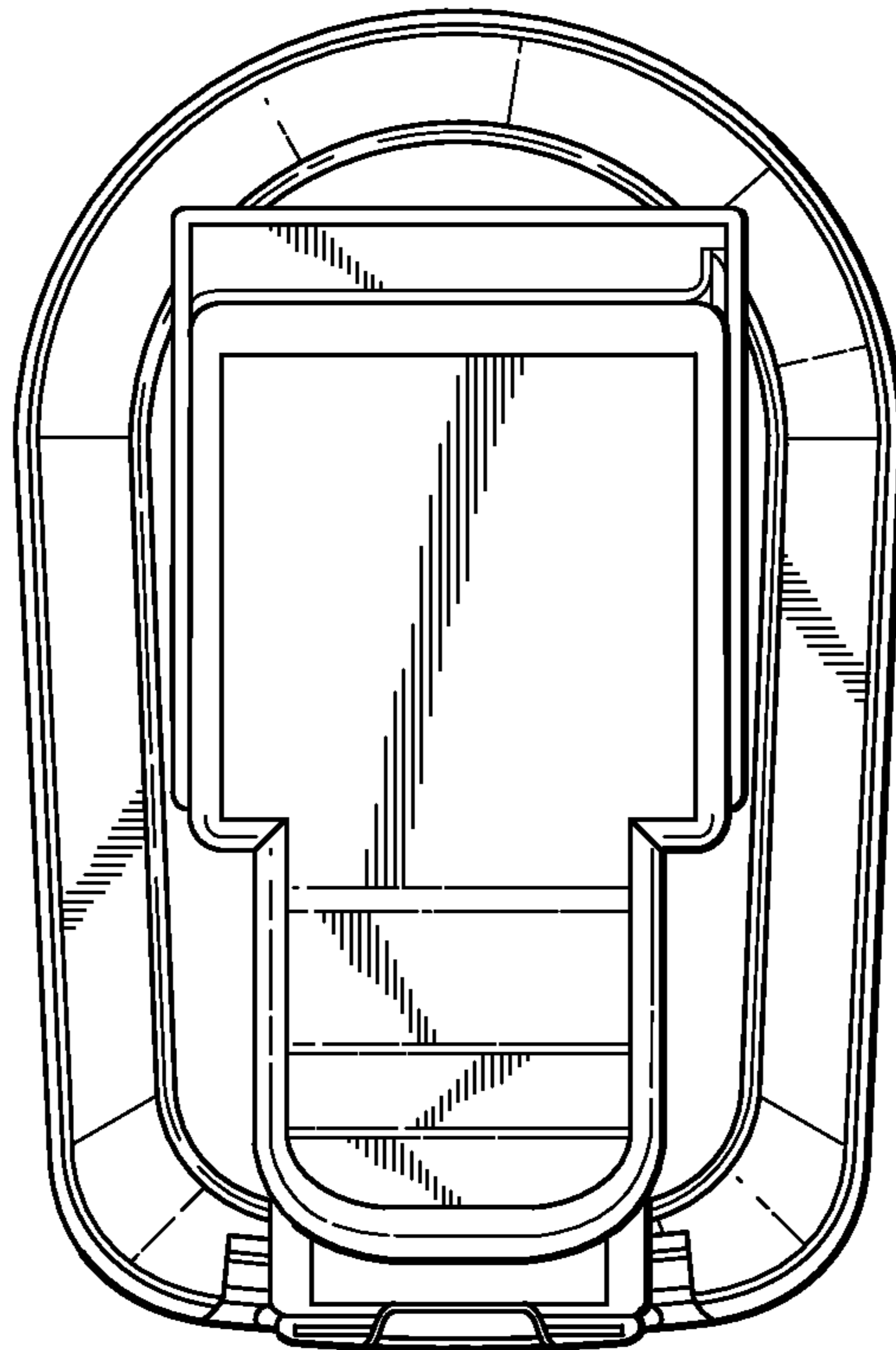


Fig. 12

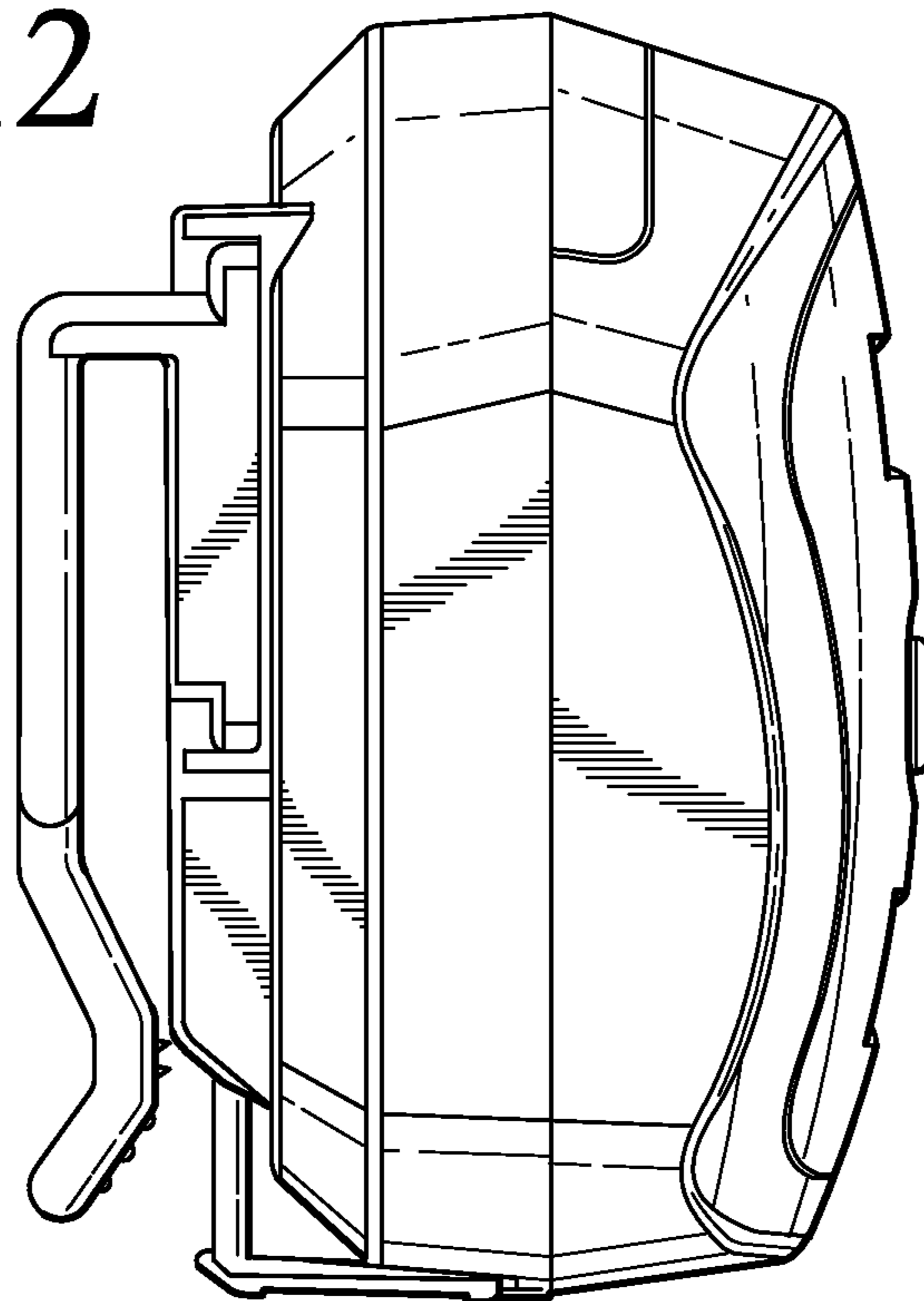


Fig. 13

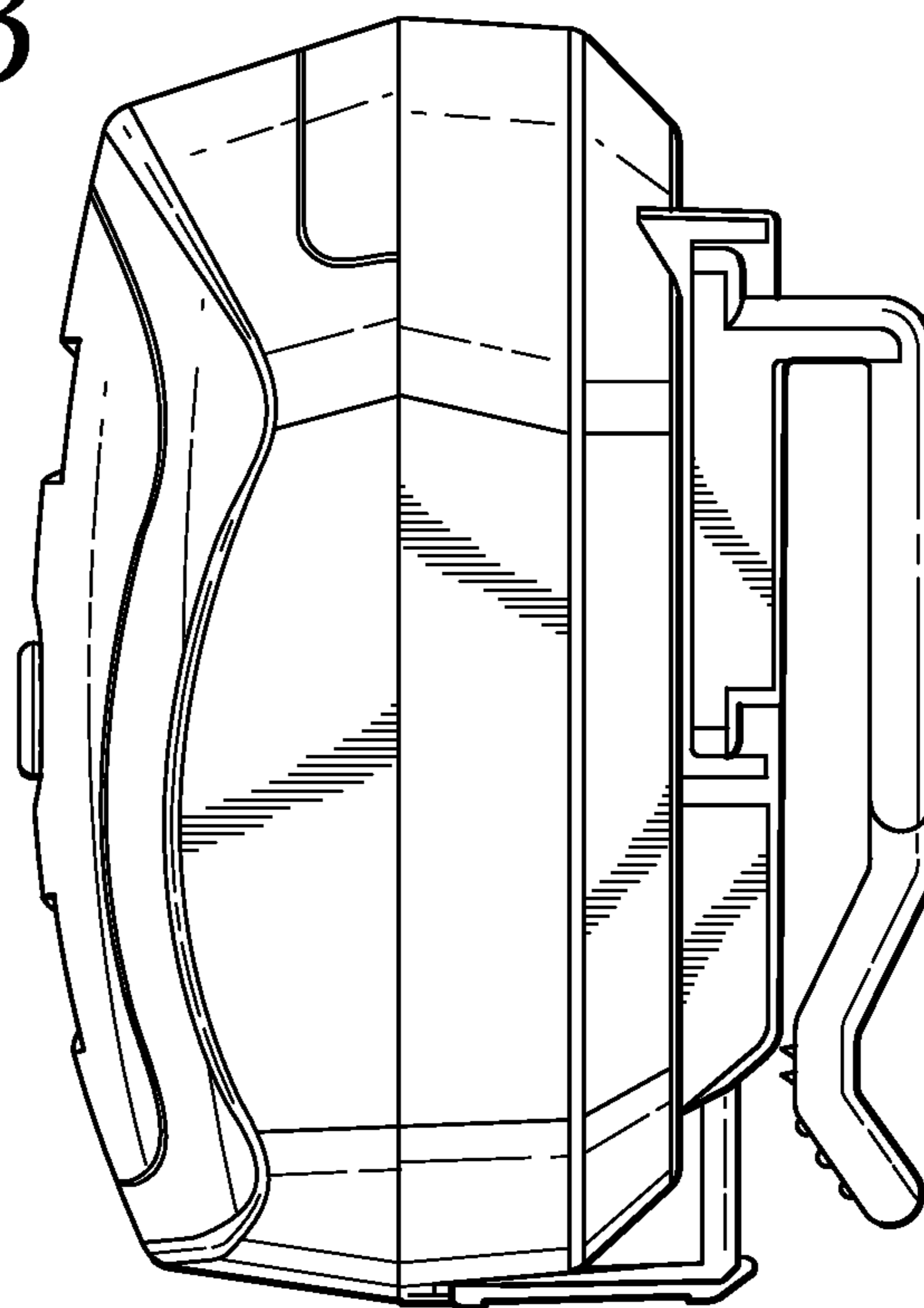


Fig. 14

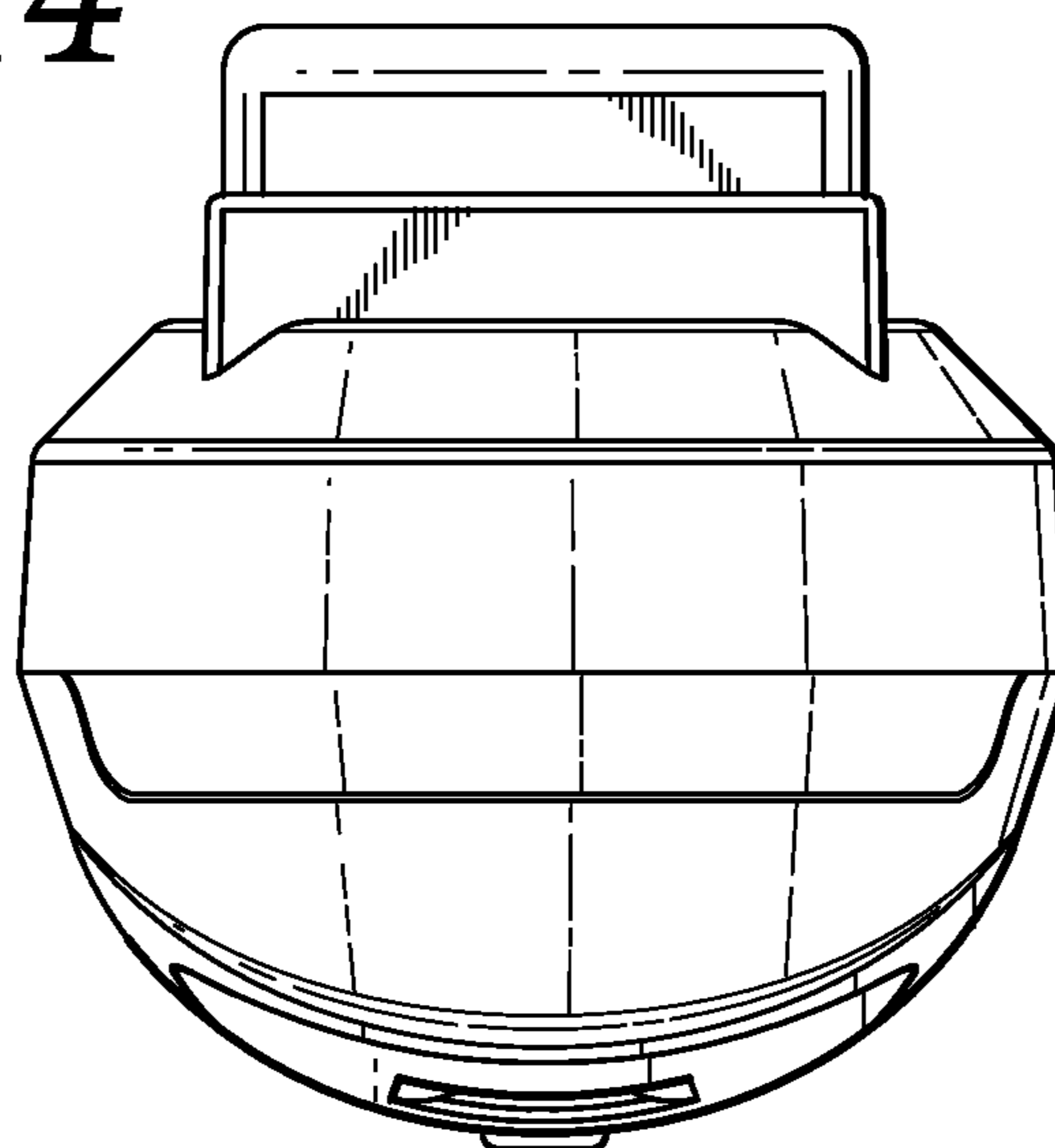


Fig. 15

