



US00D746499S

(12) **United States Design Patent**  
**Schleder**

(10) **Patent No.:** **US D746,499 S**

(45) **Date of Patent:** **\*\* Dec. 29, 2015**

(54) **FLASHLIGHT**

(71) Applicant: **Zweibrüder Optoelectronics GmbH & Co. KG**, Solingen (DE)

(72) Inventor: **Tobias Schleder**, Portland, OR (US)

(73) Assignee: **Zweibrüder Optoelectronics GmbH & Co. KG**, Solingen (DE)

(\*\*) Term: **14 Years**

(21) Appl. No.: **29/473,863**

(22) Filed: **Nov. 26, 2013**

(51) **LOC (10) Cl.** ..... **26-02**

(52) **U.S. Cl.**  
USPC ..... **D26/49; D26/113**

(58) **Field of Classification Search**  
USPC ..... D26/37, 38, 39, 40, 41, 42, 49, 51, 60,  
D26/29, 113; 362/157, 158, 183, 184,  
362/194-196, 200-208, 253  
CPC ..... F21V 33/00; F21V 14/025; F21V 21/406;  
F21Y 2101/02; F21L 17/00; F21L 13/08  
See application file for complete search history.

(56) **References Cited**

**U.S. PATENT DOCUMENTS**

D307,057 S *	4/1990	Seok	.....	D26/49
D308,809 S *	6/1990	Kawabata	.....	D8/61
D418,236 S *	12/1999	Yuen	.....	D26/38
D504,971 S *	5/2005	Dalton et al.	.....	D26/49
D523,576 S *	6/2006	Chen et al.	.....	D26/38
D528,689 S *	9/2006	Opolka	.....	D26/37

\* cited by examiner

*Primary Examiner* — Ian Simmons

*Assistant Examiner* — Carissa C Fitts

(74) *Attorney, Agent, or Firm* — Alston & Bird LLP

(57) **CLAIM**

The ornamental design for a flashlight, as shown and described.

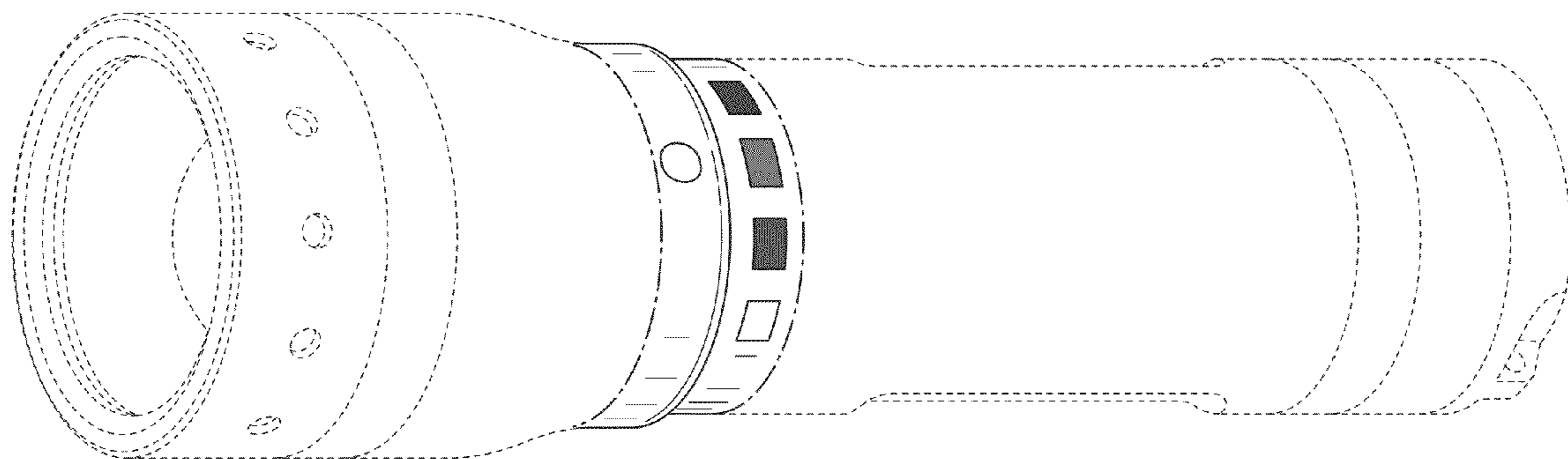
**DESCRIPTION**

The patent or application file contains at least one drawing executed in color. Copies of this patent or patent application publication with color drawing(s) will be provided by the Office upon request and payment of the necessary fee.

FIG. 1 is a front perspective view of a flashlight according to my new design;  
FIG. 2 is a back perspective view thereof;  
FIG. 3 is a right side elevation view thereof;  
FIG. 4 is a bottom plan view thereof;  
FIG. 5 is a left side elevation view thereof;  
FIG. 6 is a top side elevation view thereof;  
FIG. 7 is a front elevation view thereof; and,  
FIG. 8 is a back elevation view thereof.

The dash dot dashed broken lines adjacent the shaded areas in FIGS. 1-6 represent the bounds of the claimed design while all other broken lines are directed to unclaimed portions of the flashlight. The broken lines form no part of the claimed design.

**1 Claim, 7 Drawing Sheets**  
**(5 of 7 Drawing Sheet(s) Filed in Color)**



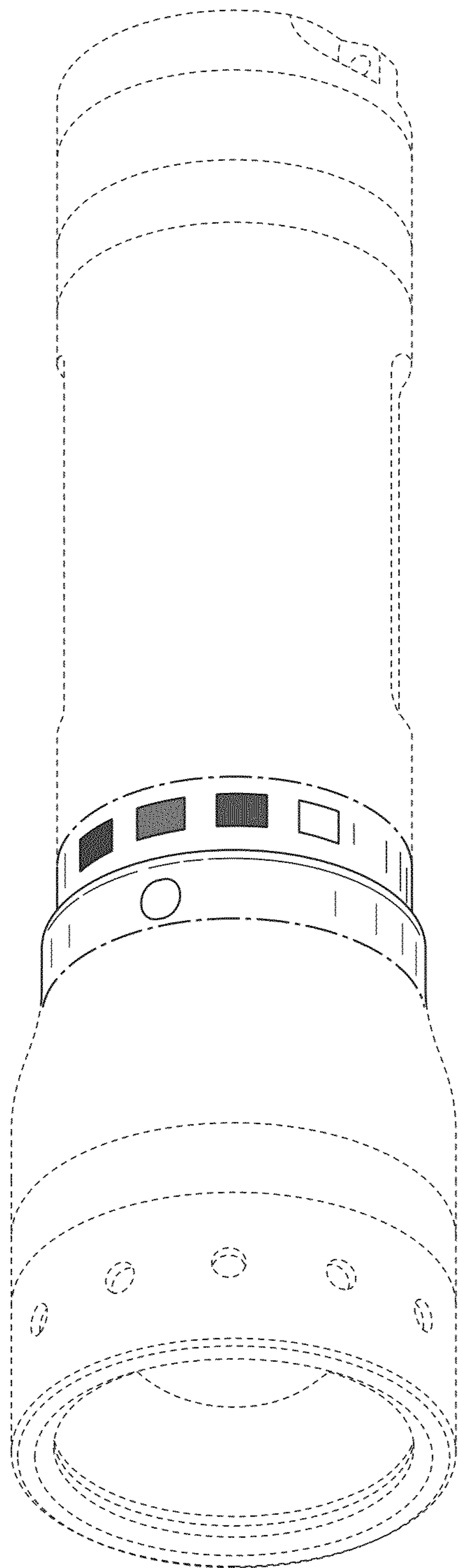


FIG. 1

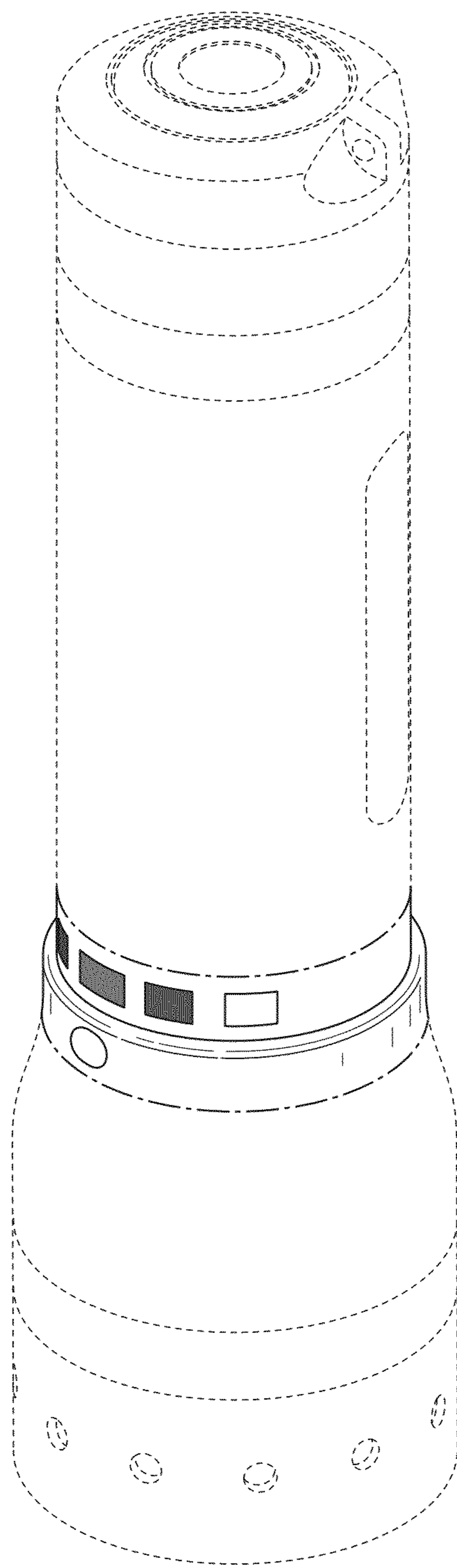


FIG. 2

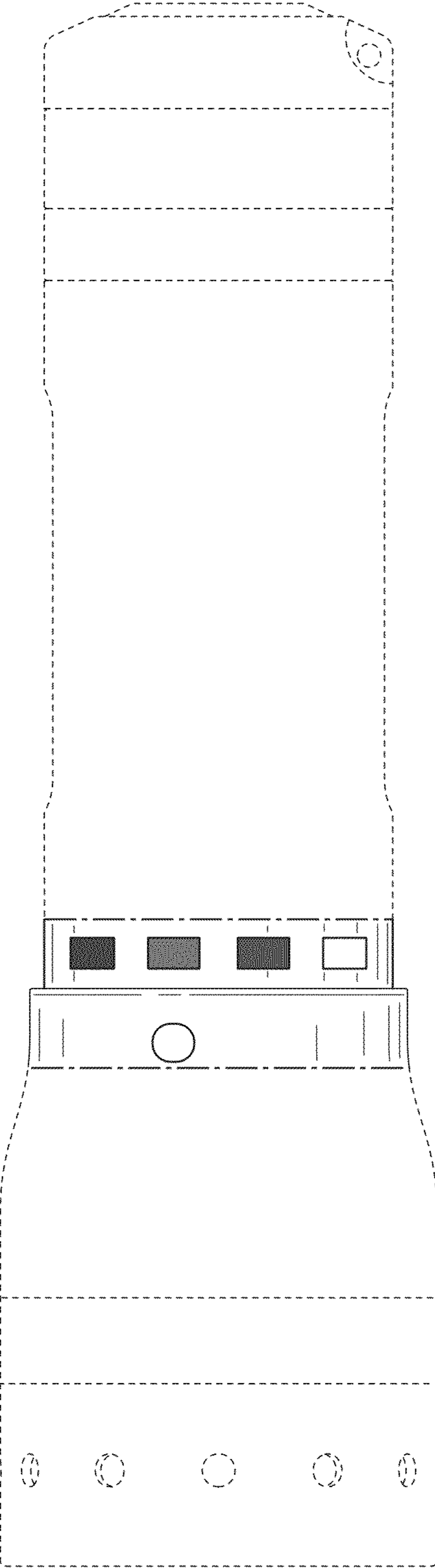


FIG. 3

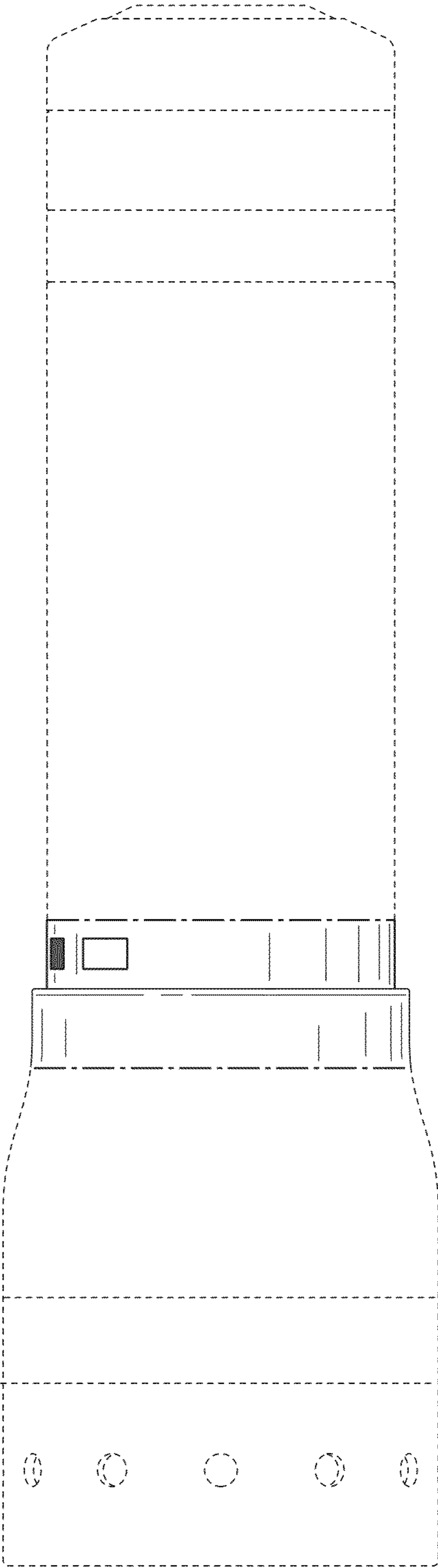


FIG. 4

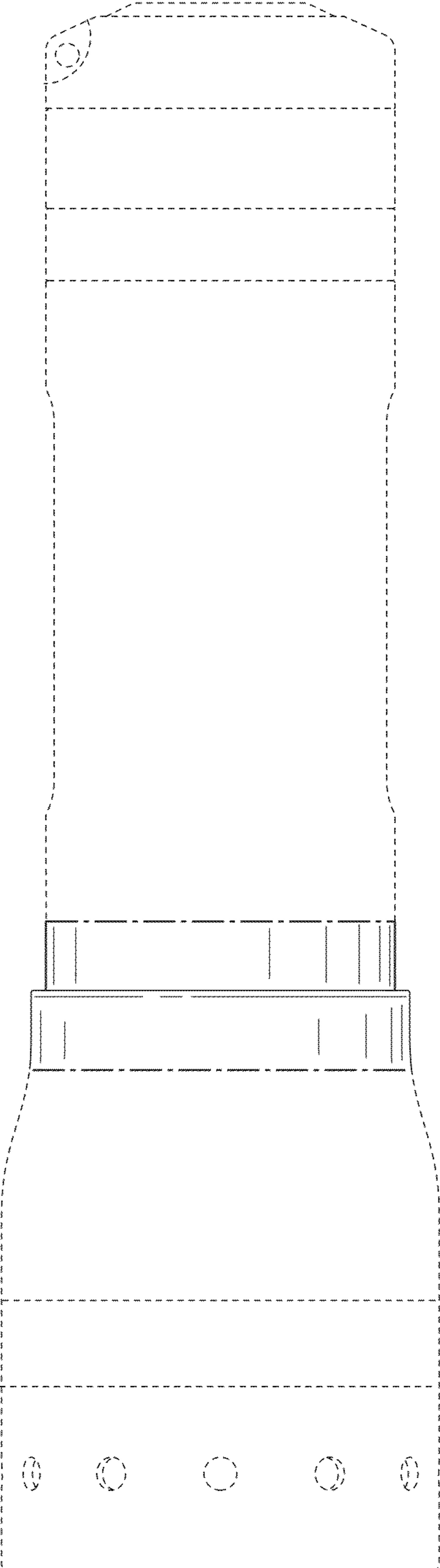


FIG. 5

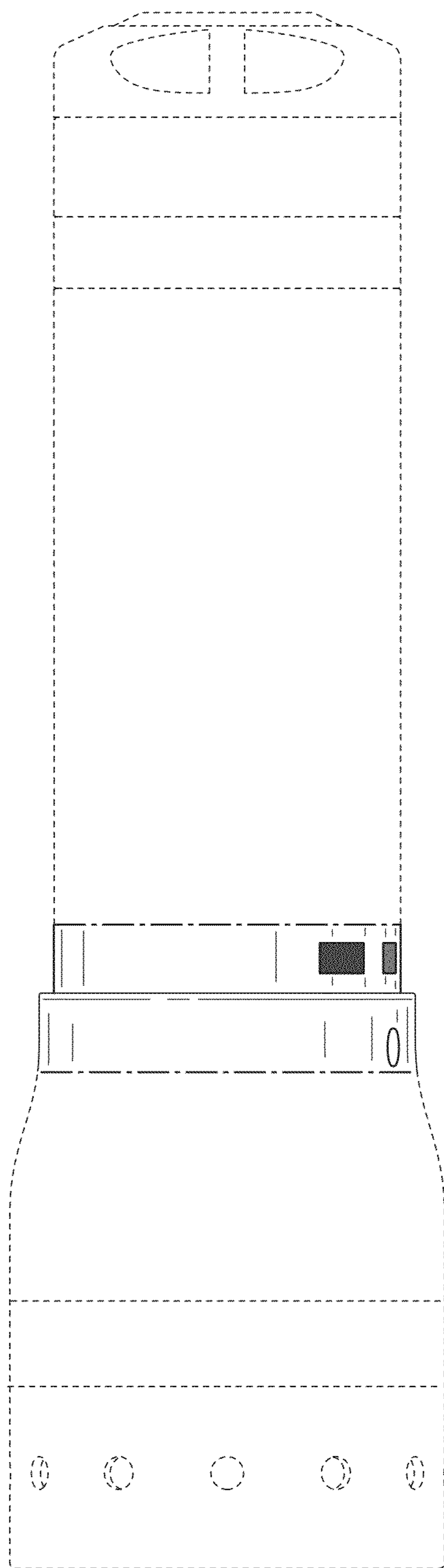
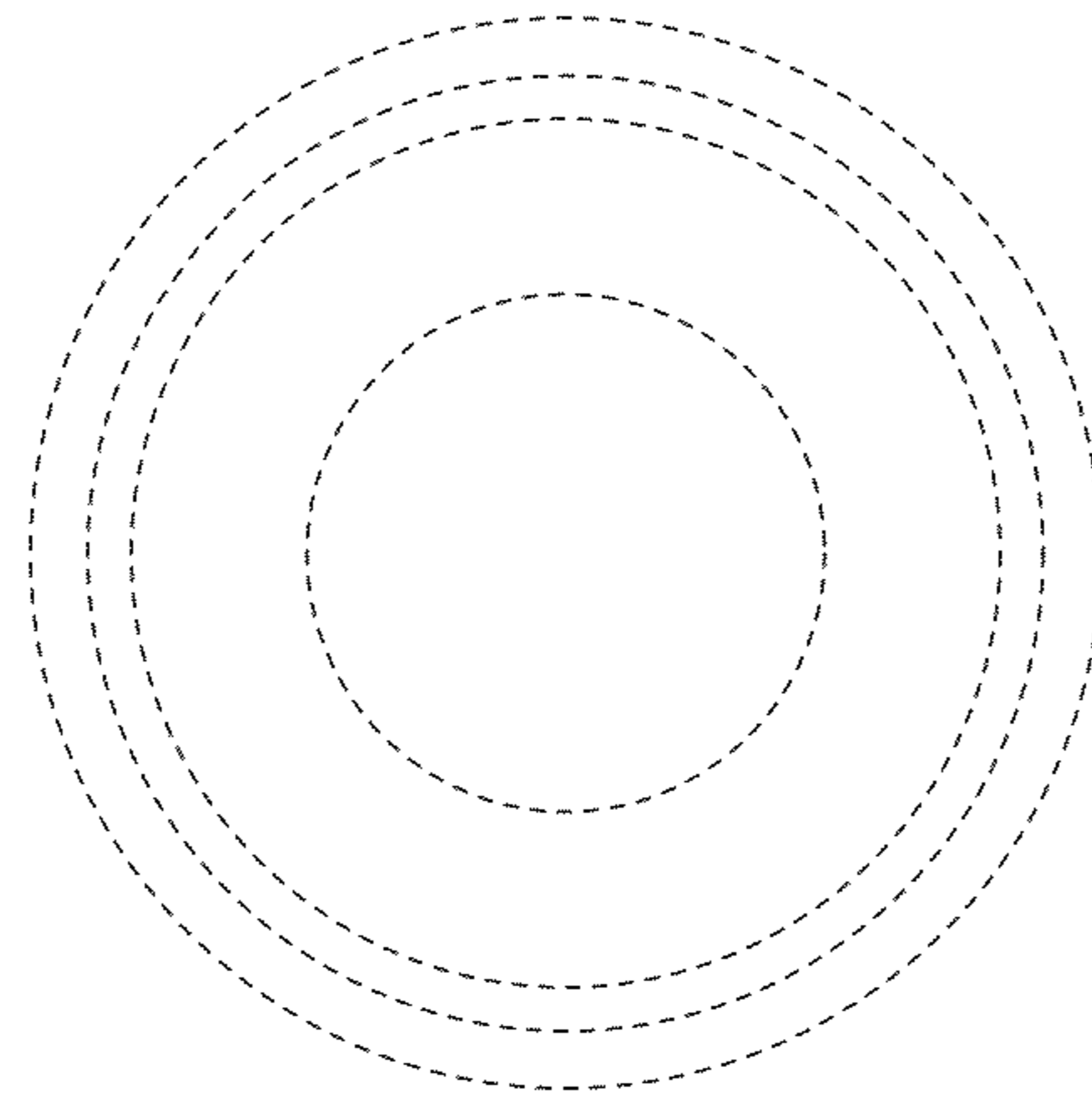
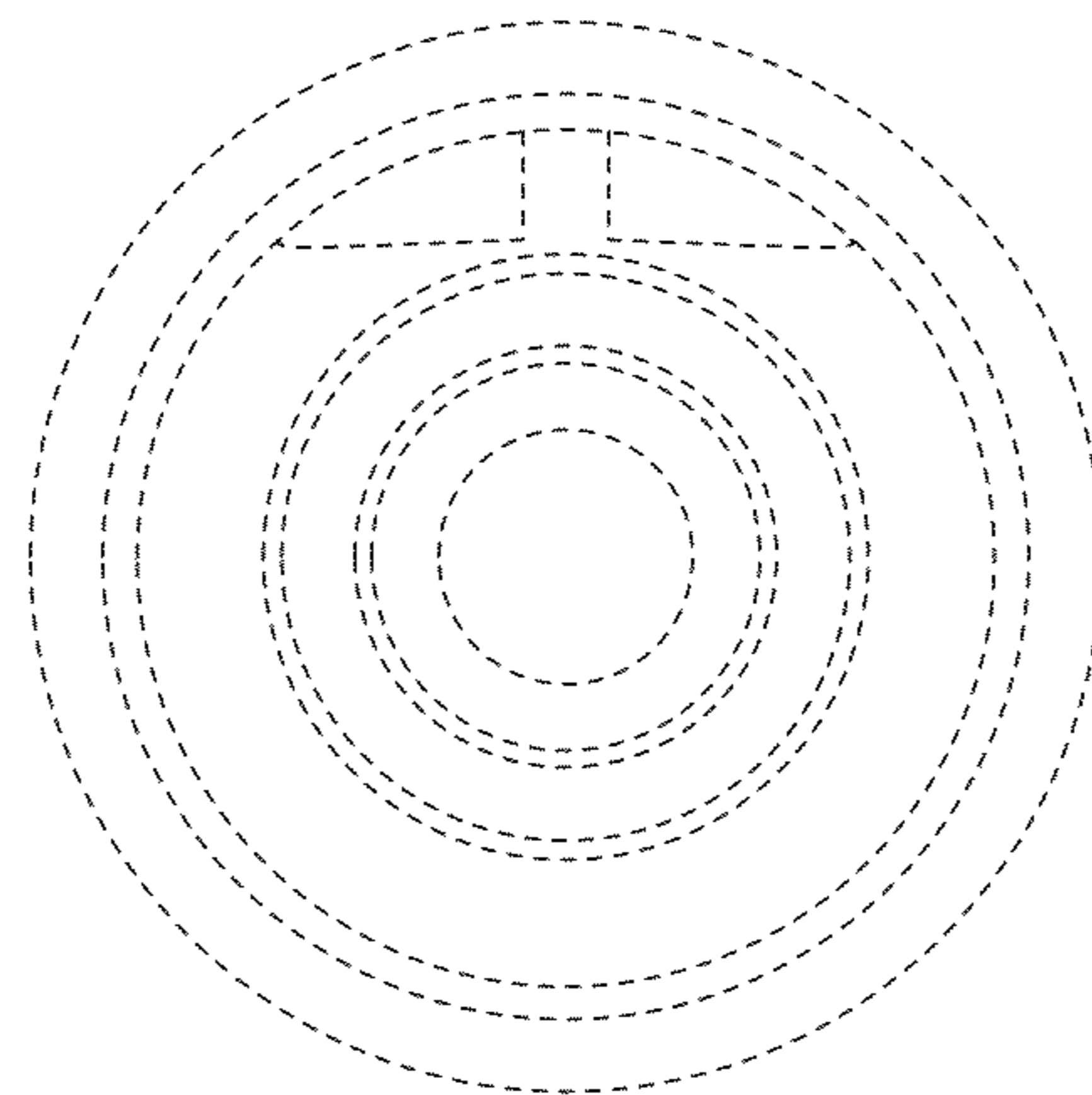


FIG. 6



**FIG. 7**



**FIG. 8**