



US00D746498S

(12) **United States Design Patent**  
**Zhou**

(10) **Patent No.:** **US D746,498 S**

(45) **Date of Patent:** **\*\* Dec. 29, 2015**

(54) **FLOATING LANTERN**

(71) Applicant: **Jinqing Zhou**, Ningbo (CN)

(72) Inventor: **Jinqing Zhou**, Ningbo (CN)

(\*\*) Term: **14 Years**

(21) Appl. No.: **29/488,956**

(22) Filed: **Apr. 24, 2014**

(30) **Foreign Application Priority Data**

Nov. 1, 2013 (CN) ..... 2013 3 0521743

(51) **LOC (10) Cl.** ..... **26-02**

(52) **U.S. Cl.**  
USPC ..... **D26/37**

(58) **Field of Classification Search**  
USPC ..... D26/37-51, 56-60, 67; 362/103-10,  
362/184, 194-196  
CPC ..... F21L 4/00; F21L 4/022; F21L 4/025;  
F21L 4/027; F21L 7/00; F21L 19/00; F21V  
21/084; F21V 21/0085; F21W 2111/10

See application file for complete search history.

(56) **References Cited**

U.S. PATENT DOCUMENTS

D407,509 S *	3/1999	Yuen .....	D26/37
D488,245 S *	4/2004	McDonald .....	D26/49
D494,298 S *	8/2004	Brent .....	D26/49
D531,337 S *	10/2006	Dalton .....	D26/49
D634,463 S *	3/2011	Yuen .....	D26/44
D638,157 S *	5/2011	Lee .....	D26/49
D641,901 S *	7/2011	Opolka .....	D26/49
D673,708 S *	1/2013	Yeh .....	D26/46
D717,481 S *	11/2014	Yong .....	D26/49

\* cited by examiner

*Primary Examiner* — Sandra Morris

(74) *Attorney, Agent, or Firm* — David Pressman

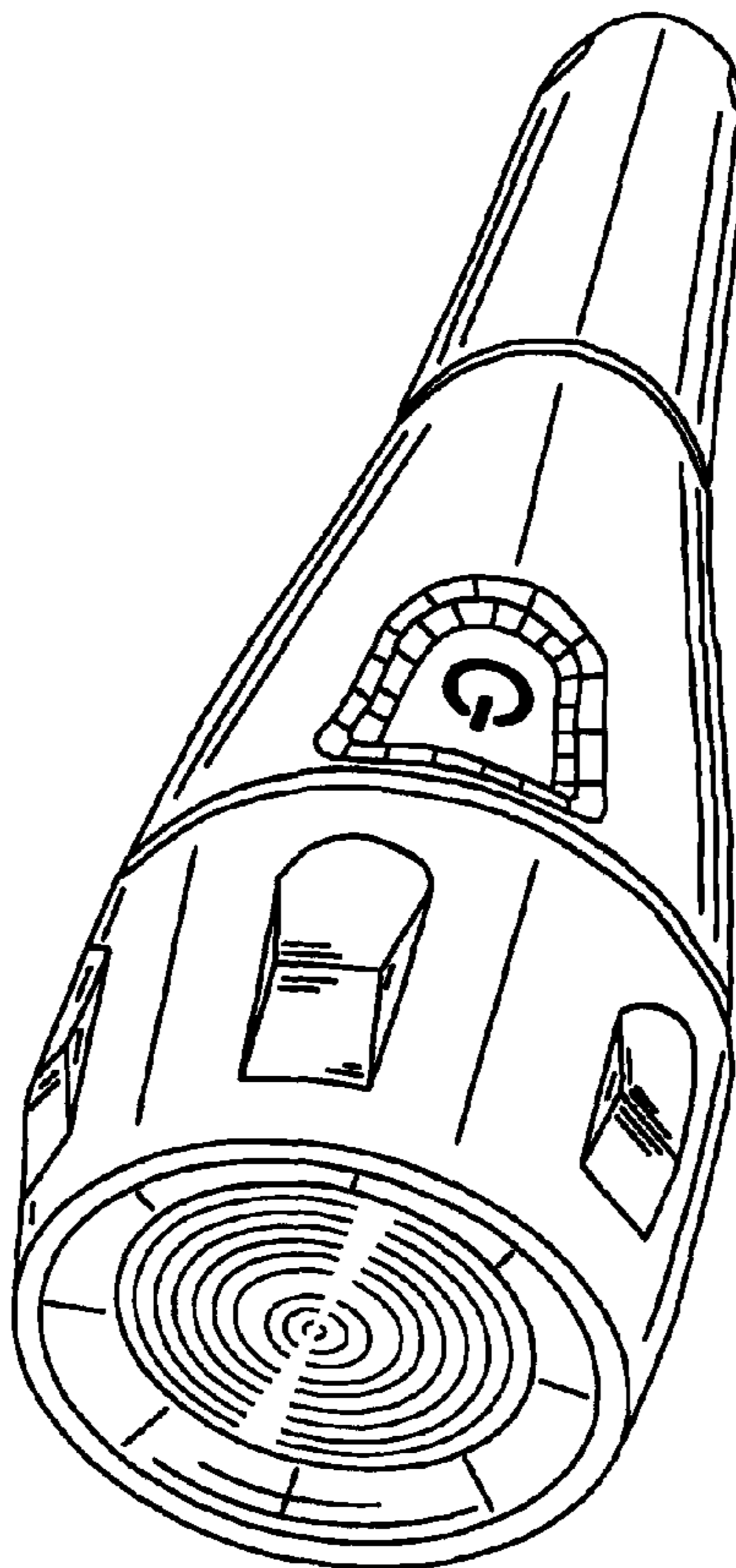
(57) **CLAIM**

The ornamental design for a floating lantern, as shown and described.

**DESCRIPTION**

FIG. 1 is a view of the switch side of my floating lantern.  
FIG. 2 is a view of the side opposite the switch side.  
FIG. 3 is a view of the side that is between the switch and opposite sides and faces downward in FIG. 1.  
FIG. 4 is a perspective view taken from the front side and front end; and,  
FIG. 5 a perspective view taken from the front side and rear end.

**1 Claim, 2 Drawing Sheets**



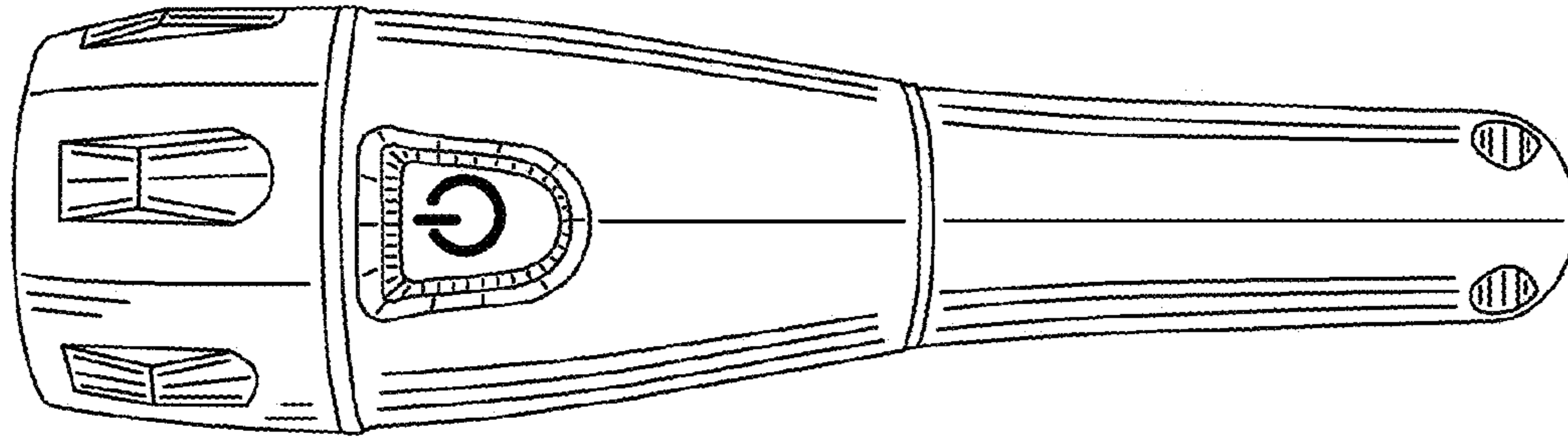


Fig. 1

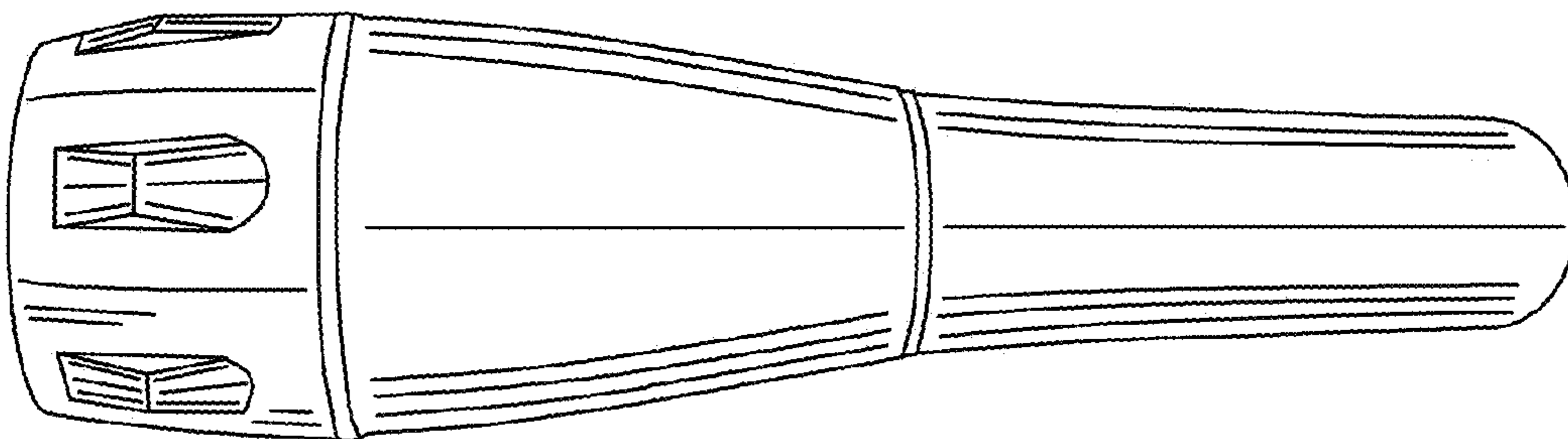


Fig. 2

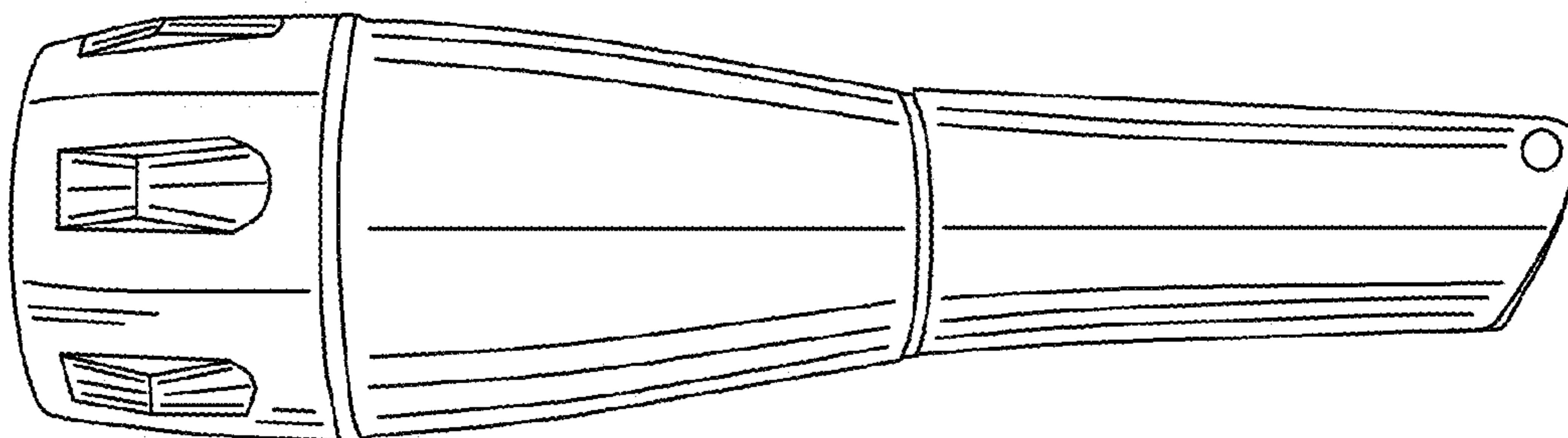


Fig. 3

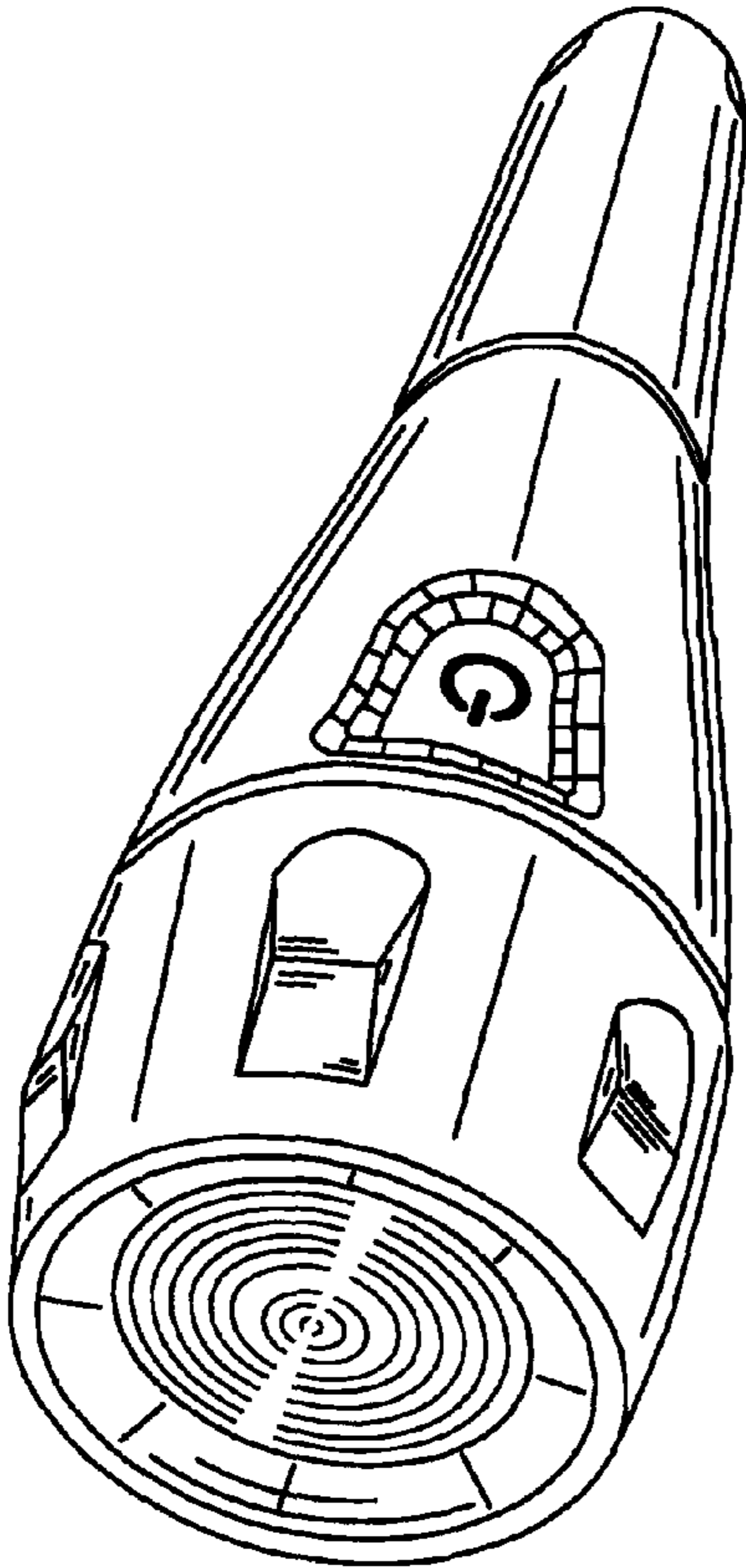


Fig. 4

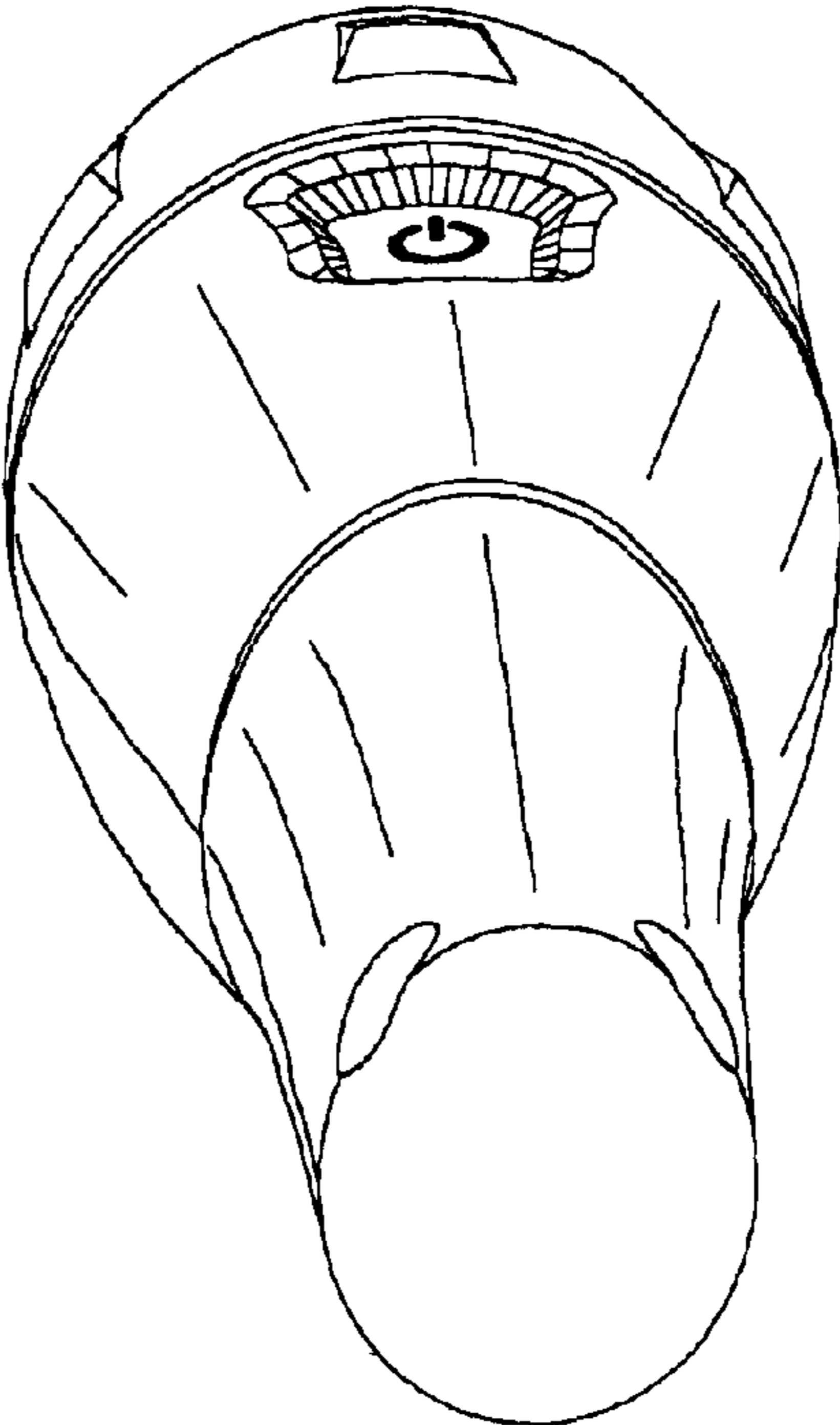


Fig. 5