



US00D746497S

(12) **United States Design Patent**
Behmer et al.

(10) **Patent No.:** **US D746,497 S**
(45) **Date of Patent:** **** Dec. 29, 2015**

(54) **VEHICLE TAIL LAMP**

(71) Applicant: **Ford Motor Company**, Dearborn, MI (US)

(72) Inventors: **Darrell Behmer**, Novi, MI (US); **Henry Bernardo**, Southfield, MI (US); **Damon Depeyster**, Northville, MI (US); **Hyunsoo Kim**, Shelby Township, MI (US)

(73) Assignee: **Ford Motor Company**, Dearborn, MI (US)

(**) Term: **14 Years**

(21) Appl. No.: **29/508,920**

(22) Filed: **Nov. 12, 2014**

(51) **LOC (10) Cl.** **26-06**

(52) **U.S. Cl.**
USPC **D26/28**

(58) **Field of Classification Search**
USPC D26/28-36; 362/459-468, 475-478, 362/485-487

CPC F21S 48/10; F21S 48/115; F21S 48/225; F21S 48/1233; F21S 48/1266; F21S 48/1388; F21S 48/2268; F21V 21/04
See application file for complete search history.

(56) **References Cited**

U.S. PATENT DOCUMENTS

D549,363 S * 8/2007 Pfeiffer D26/28
D552,769 S * 10/2007 Leclercq D26/28
D553,268 S * 10/2007 Pfeiffer D26/28
D553,269 S * 10/2007 Pfeiffer D26/28
D560,292 S * 1/2008 Sato D26/28
D561,357 S * 2/2008 Leclercq D26/28

D565,211 S * 3/2008 Haller D26/28
D574,524 S * 8/2008 Tomatsu D26/28
D605,793 S * 12/2009 Weil D26/28
D612,960 S 3/2010 Bucher et al.

OTHER PUBLICATIONS

Jason Udy. Spied: Refreshed 2016 Ford Explorer Loses Some Camo. Oct. 11, 2014 [online], [retrieved on Nov. 3, 2014] Retrieved from the Internet <URL: http://wot.motortrend.com/1410_spied_refreshed_2016_ford_explorer_loses_some_camo.html>. 2016 Ford Explorer SUV Review. [retrieved on Nov. 3, 2014] Retrieved from the Internet <URL: <http://www.edmunds.com/ford/explorer/2016/>>.

* cited by examiner

Primary Examiner — Marcus Jackson

(74) *Attorney, Agent, or Firm* — Damian Porcari

(57) **CLAIM**

The ornamental design for a vehicle tail lamp, as shown and described.

DESCRIPTION

FIG. 1 is a top front perspective view of the left vehicle tail lamp (the right vehicle tail lamp being a mirror image and is not shown); FIG. 2 is a bottom front perspective view thereof; FIG. 3 is a top rear perspective view thereof; FIG. 4 is a front elevational view thereof; FIG. 5 is a rear elevational view thereof; FIG. 6 is a left side elevational view thereof; FIG. 7 is a right side elevational view thereof; FIG. 8 is a top plan view thereof; and, FIG. 9 is a bottom plan view thereof.

1 Claim, 9 Drawing Sheets

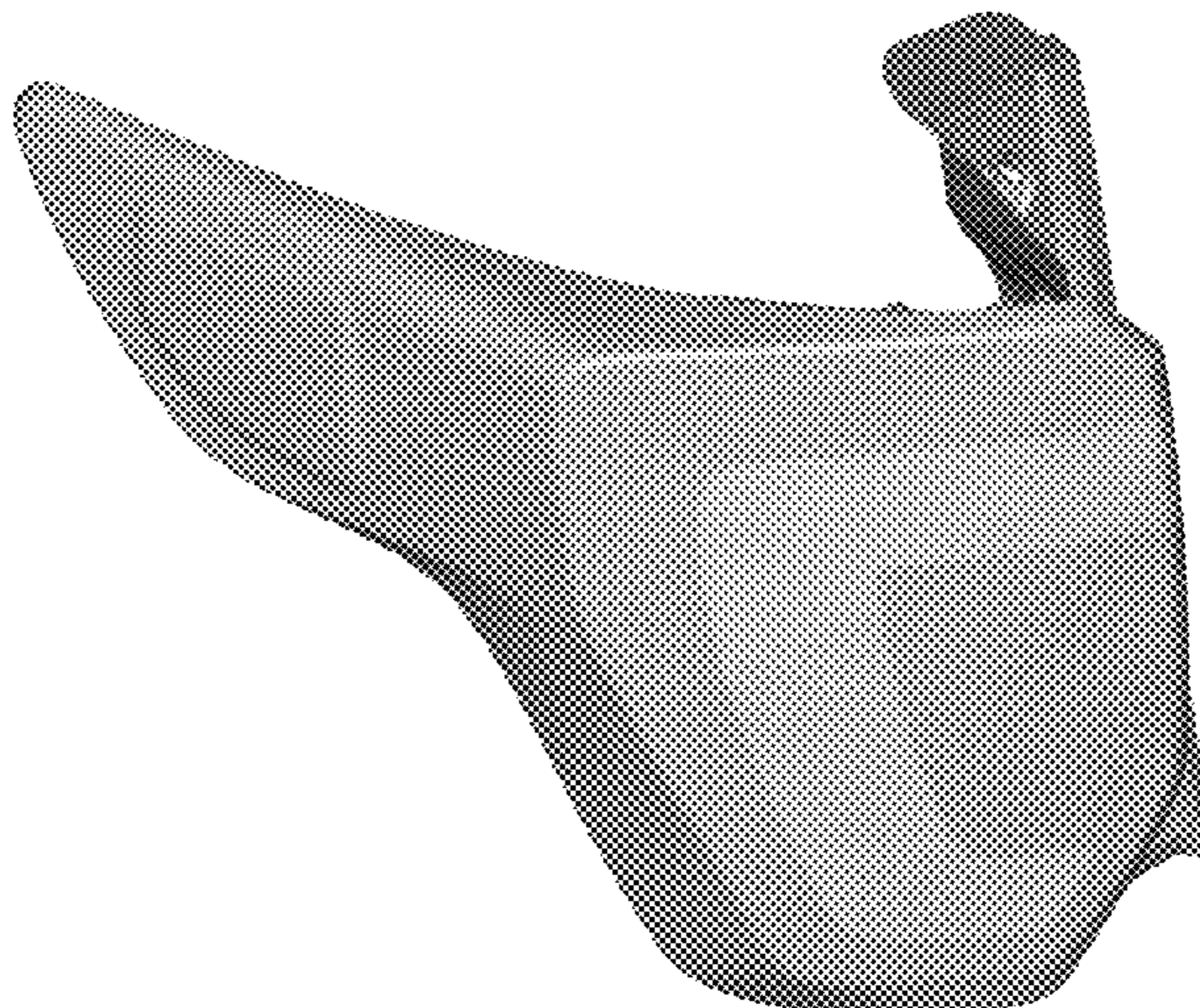
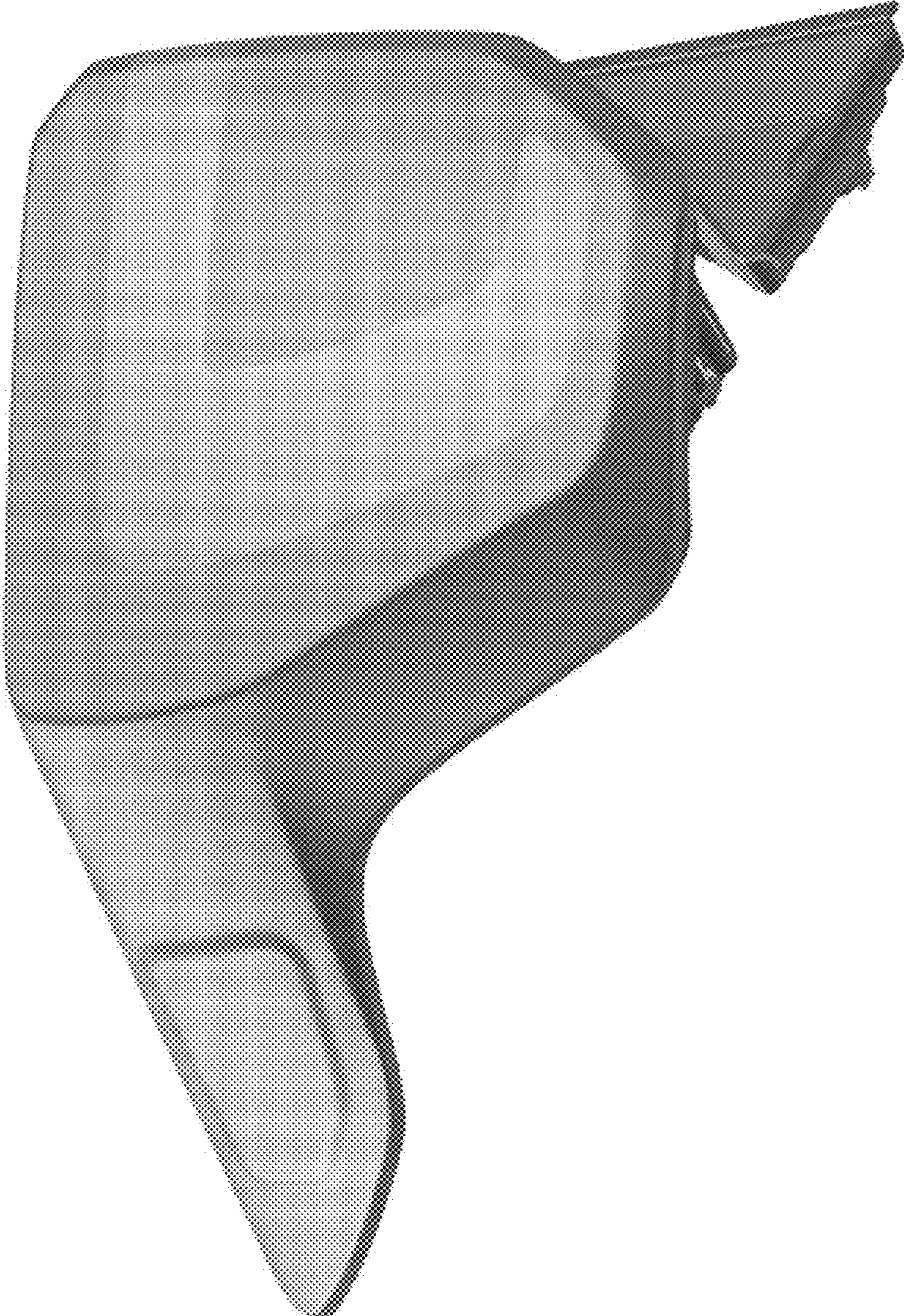




Figure 1

Figure 2



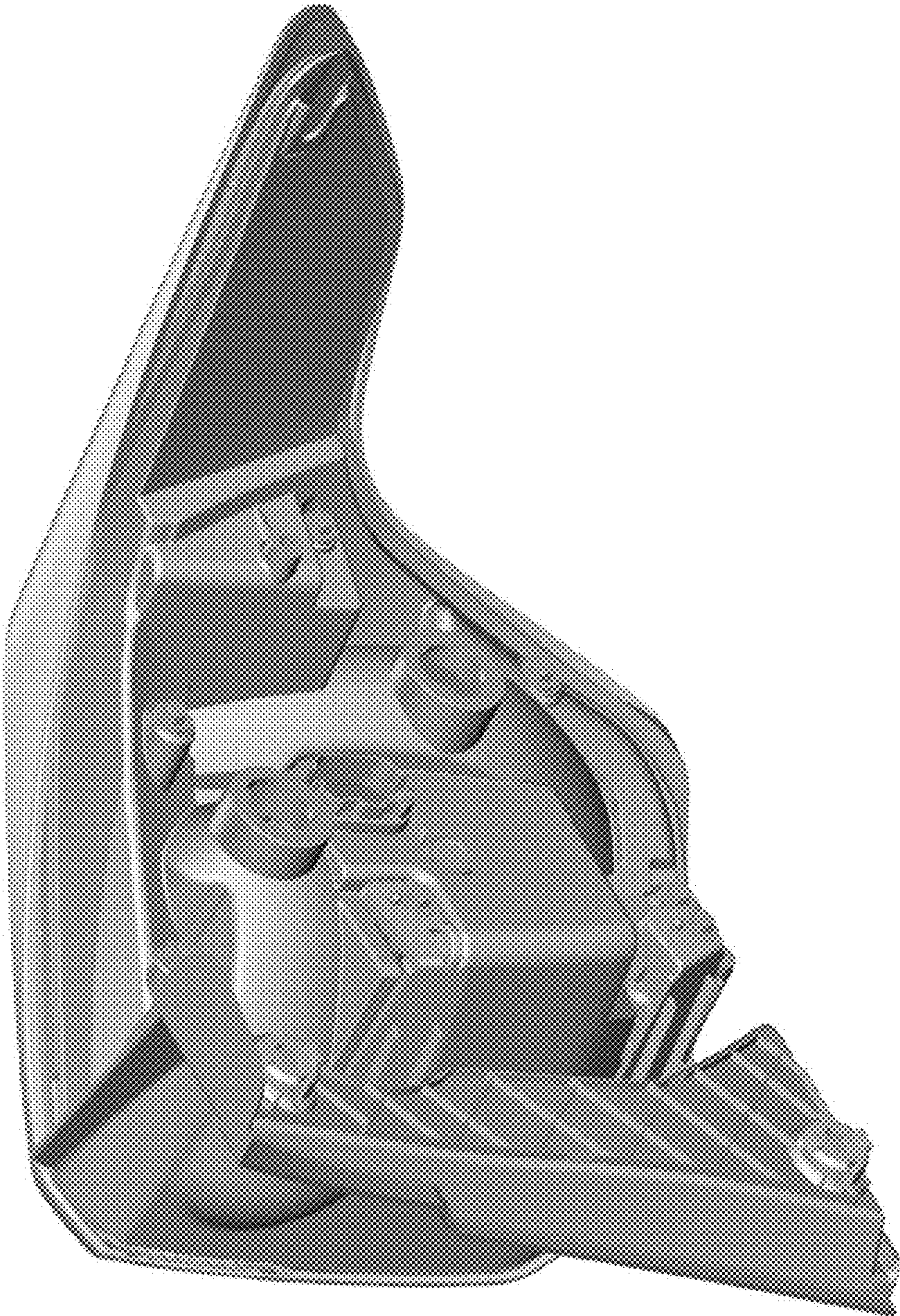


Figure 3



Figure 4

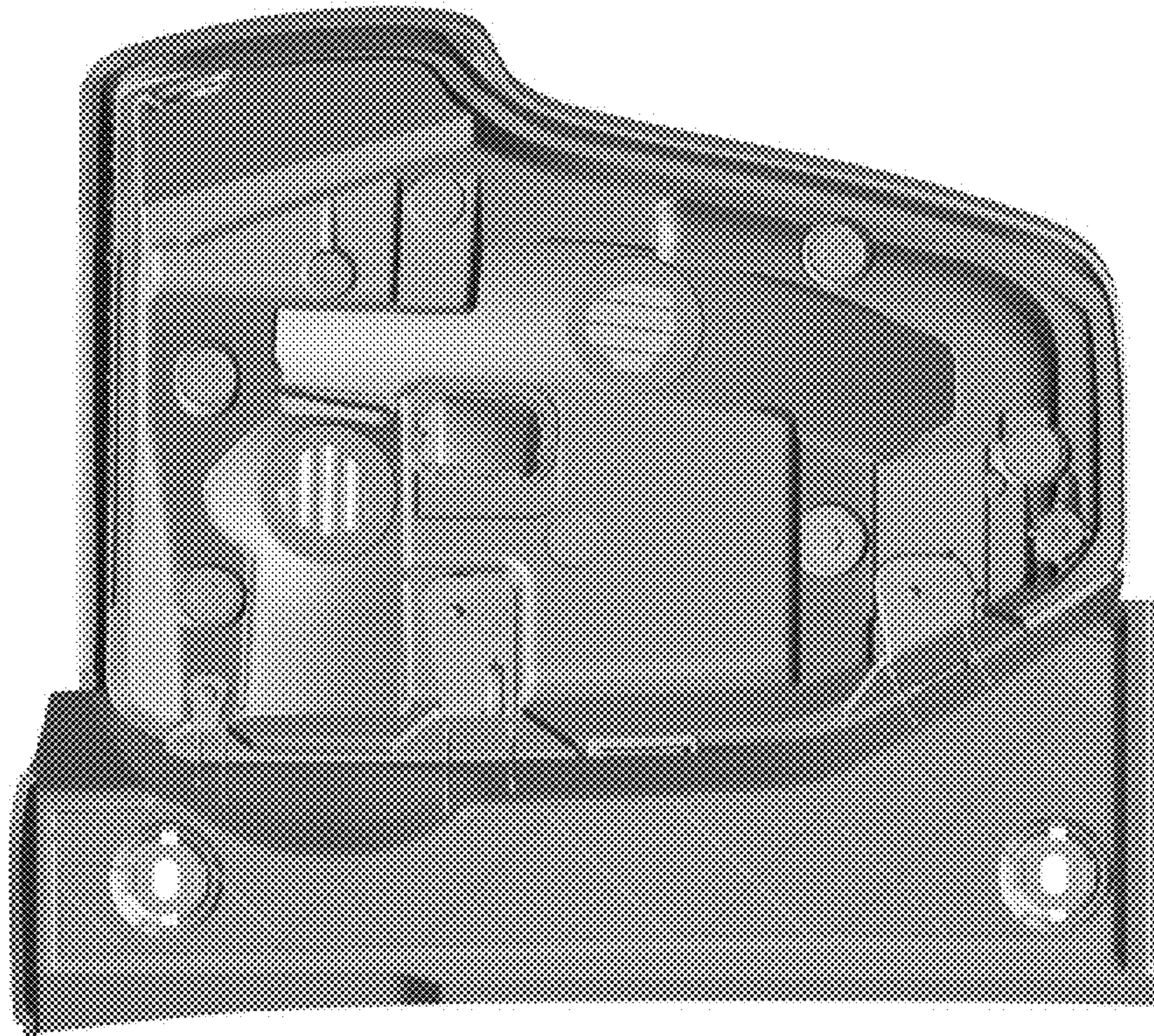


Figure 5



Figure 6

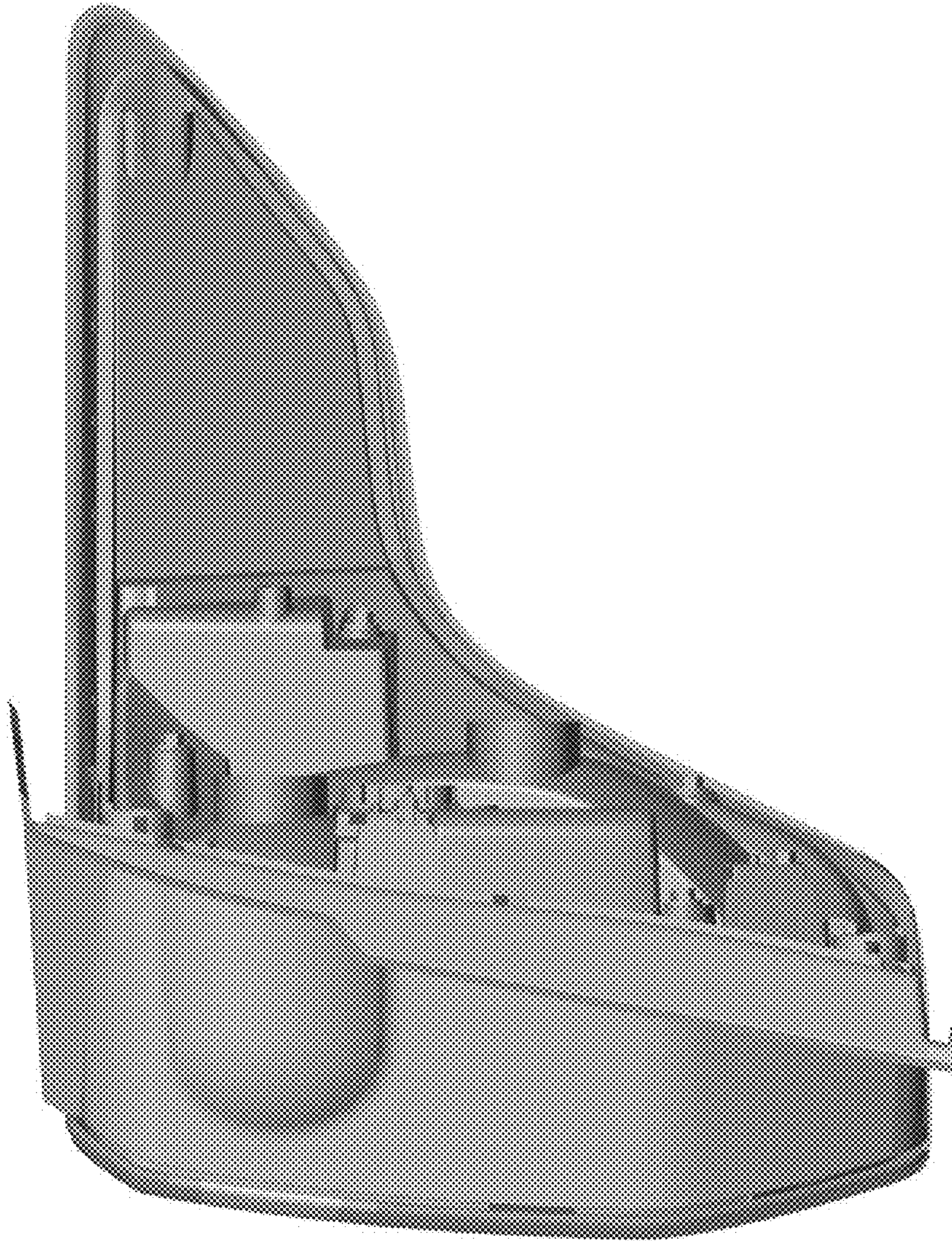


Figure 7

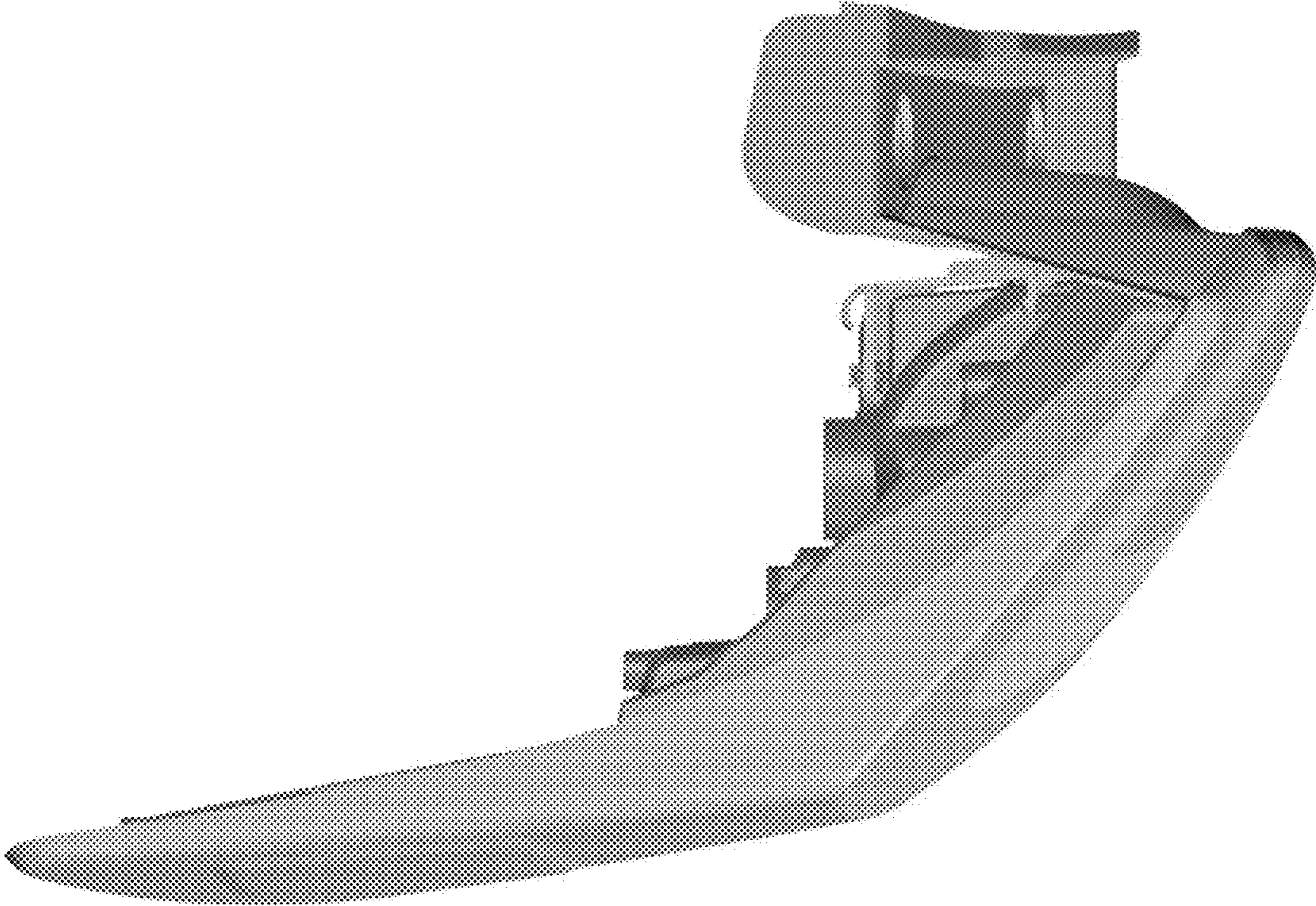


Figure 8

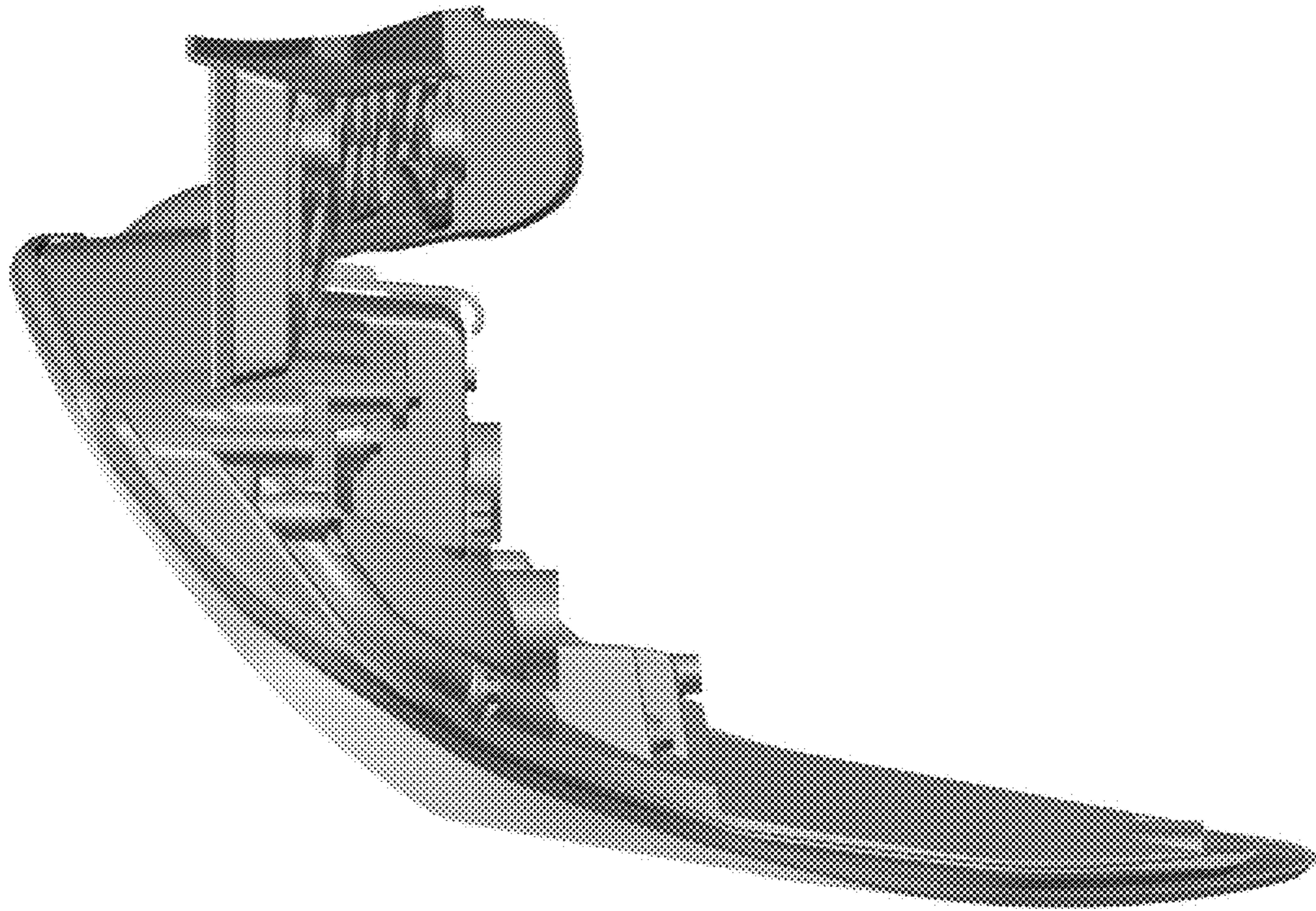


Figure 9