



US00D746492S

(12) **United States Design Patent**  
**Hash**

(10) **Patent No.:** **US D746,492 S**

(45) **Date of Patent:** **\*\* Dec. 29, 2015**

(54) **LED LAMP**

(71) Applicant: **Cree, Inc.**, Durham, NC (US)

(72) Inventor: **Michael Hash**, Durham, NC (US)

(73) Assignee: **Cree, Inc.**, Durham, NC (US)

(\*\*) Term: **14 Years**

(21) Appl. No.: **29/489,654**

(22) Filed: **May 1, 2014**

(51) **LOC (10) Cl.** ..... **26-04**

(52) **U.S. Cl.**  
USPC ..... **D26/2**

(58) **Field of Classification Search**  
USPC ..... D26/1-4; 313/313, 315, 316, 317, 318,  
313/493; 315/52, 53, 56, 57, 58  
See application file for complete search history.

(56) **References Cited**

U.S. PATENT DOCUMENTS

D530,836 S	10/2006	Johnson	
D545,457 S	6/2007	Chen	
D551,784 S	9/2007	Krieglmeyer et al.	
D572,385 S	7/2008	Mazzochette et al.	
D581,554 S	11/2008	To et al.	
D592,766 S *	5/2009	Zhu et al.	D26/2
D607,587 S *	1/2010	Ko	D26/2
D610,275 S *	2/2010	Cho	D26/2
D612,956 S *	3/2010	Moon	D26/2
D613,433 S *	4/2010	Moon	D26/2
D674,124 S	1/2013	Huang	
D687,579 S	8/2013	Lu et al.	
D687,985 S *	8/2013	Tu	D26/2
D688,391 S	8/2013	Huang et al.	

\* cited by examiner

*Primary Examiner* — Marcus Jackson

(74) *Attorney, Agent, or Firm* — Dennis J. Williamson;  
Moore & Van Allen PLLC

(57) **CLAIM**

I claim the ornamental design for a LED lamp, as shown described.

**DESCRIPTION**

FIG. 1 is a front view showing an embodiment of my new design for a LED lamp;

FIG. 2 is a right side view showing my new design shown in FIG. 1;

FIG. 3 is a left side view showing my new design shown in FIG. 1;

FIG. 4 is a back view showing my new design shown in FIG. 1;

FIG. 5 is a top view showing my new design shown in FIG. 1;

FIG. 6 is a bottom view showing my new design shown in FIG. 1;

FIG. 7 is a top perspective view showing my new design shown in FIG. 1;

FIG. 8 is a bottom perspective view showing my new design shown in FIG. 1;

FIG. 9 is a front view showing another embodiment of my new design for a LED lamp;

FIG. 10 is a right side view showing my new design shown in FIG. 9;

FIG. 11 is a left side view showing my new design shown in FIG. 9;

FIG. 12 is a back view showing my new design shown in FIG. 9;

FIG. 13 is a top view showing my new design shown in FIG. 9;

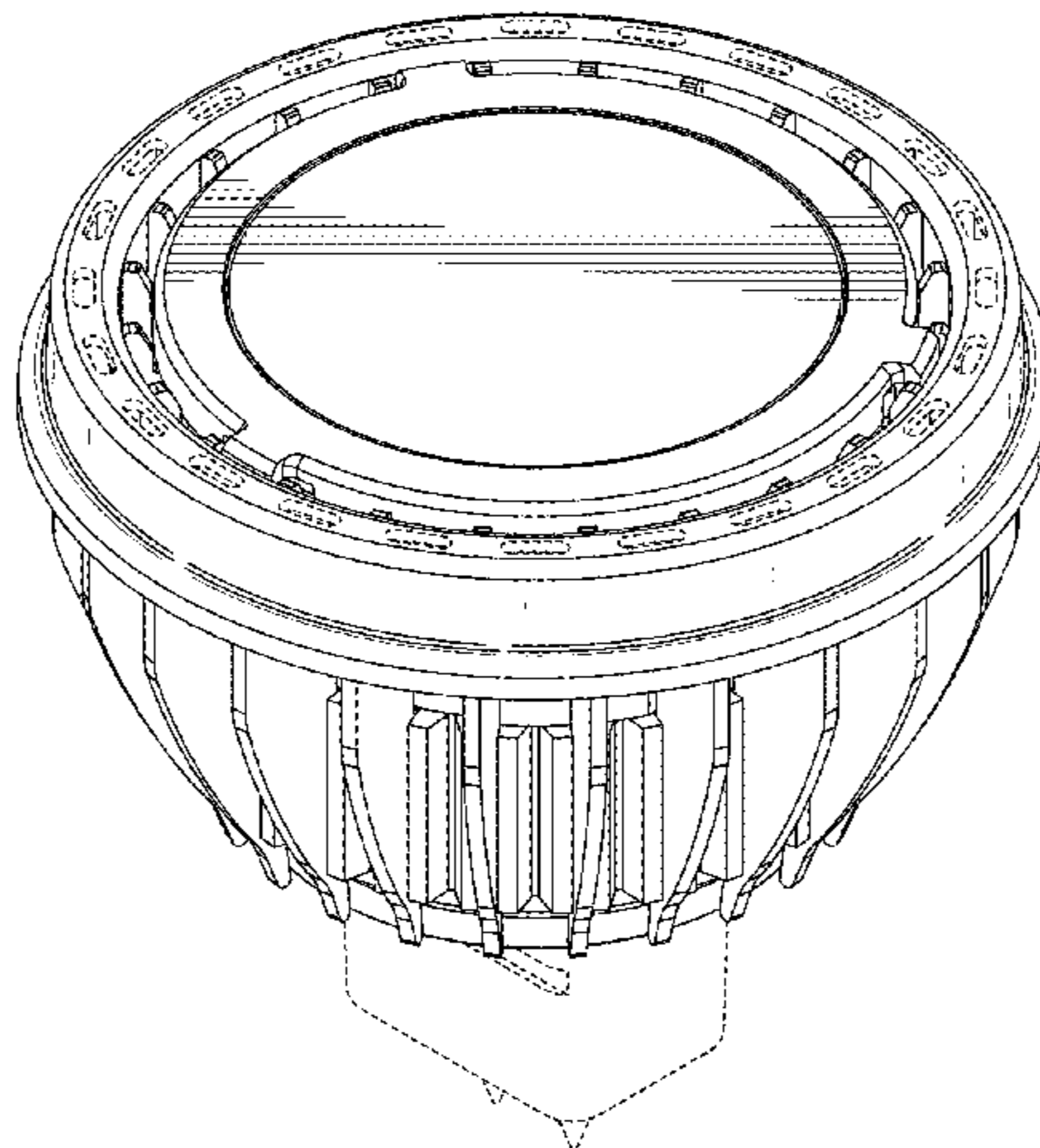
FIG. 14 is a bottom view showing my new design shown in FIG. 9;

FIG. 15 is a top perspective view showing my new design shown in FIG. 9; and,

FIG. 16 is a bottom perspective view showing my new design shown in FIG. 9.

The portions shown in broken lines are not part of the claimed design but show the environment in which the design is associated.

**1 Claim, 16 Drawing Sheets**



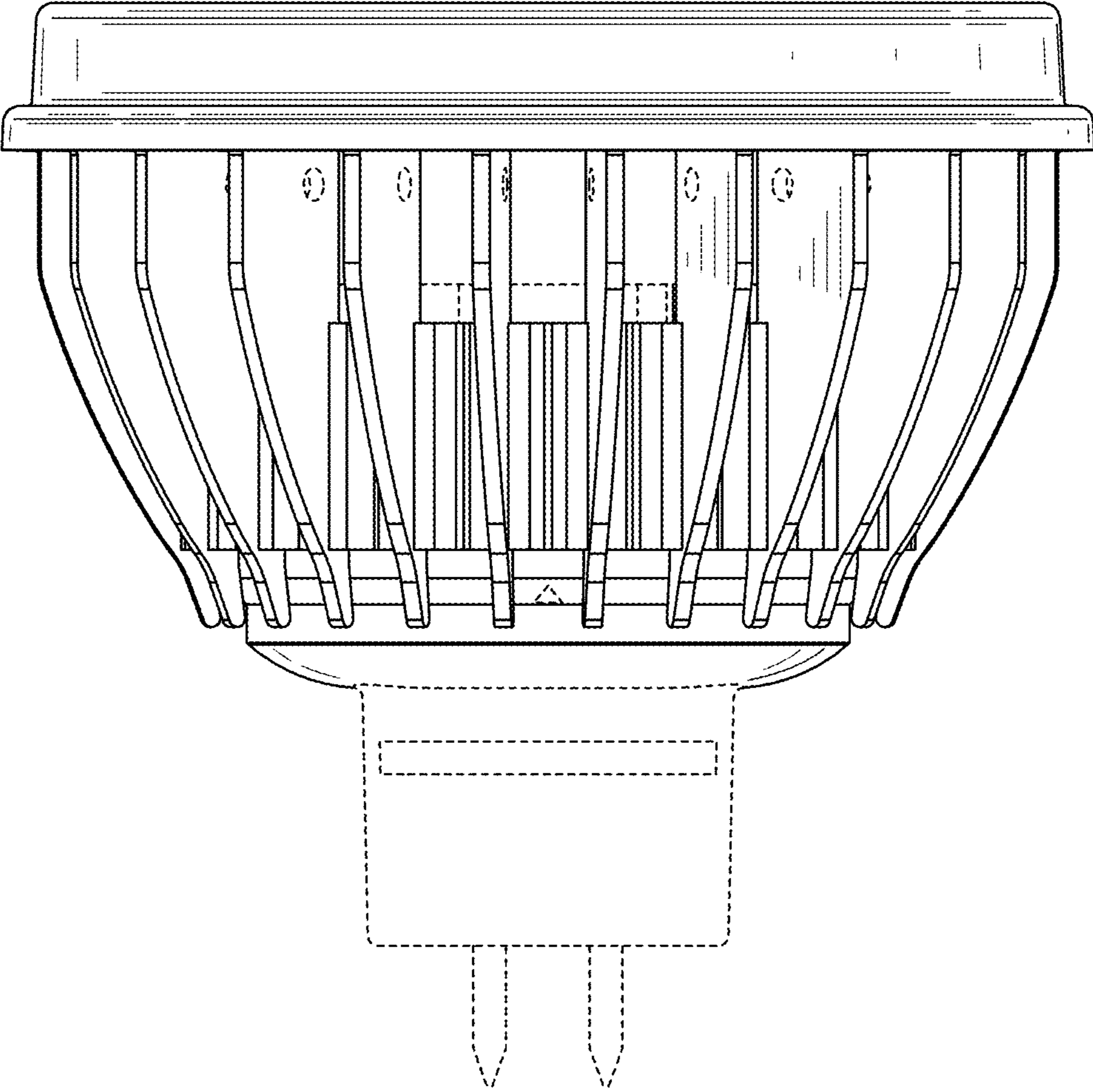


FIG. 1

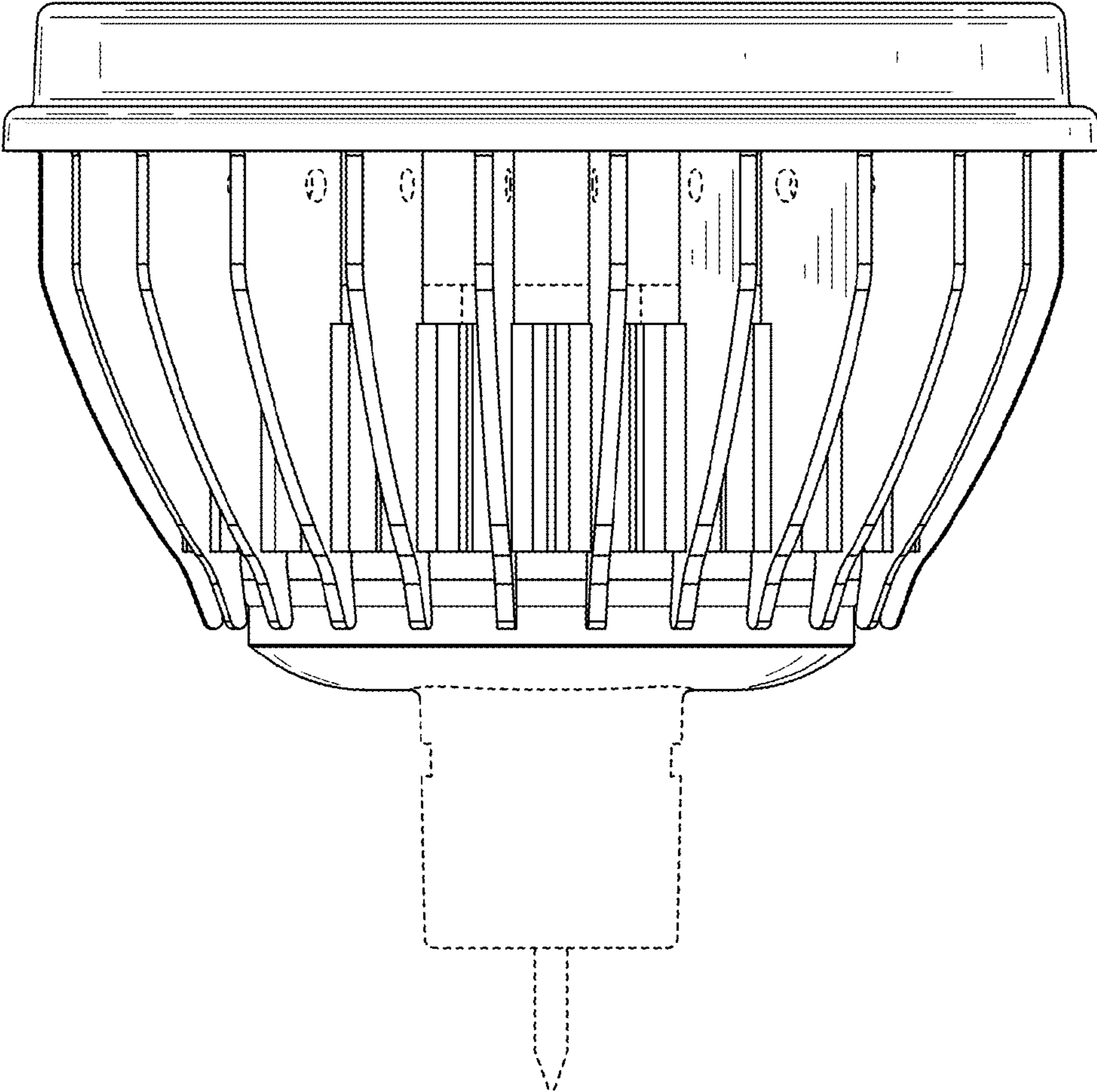


FIG. 2

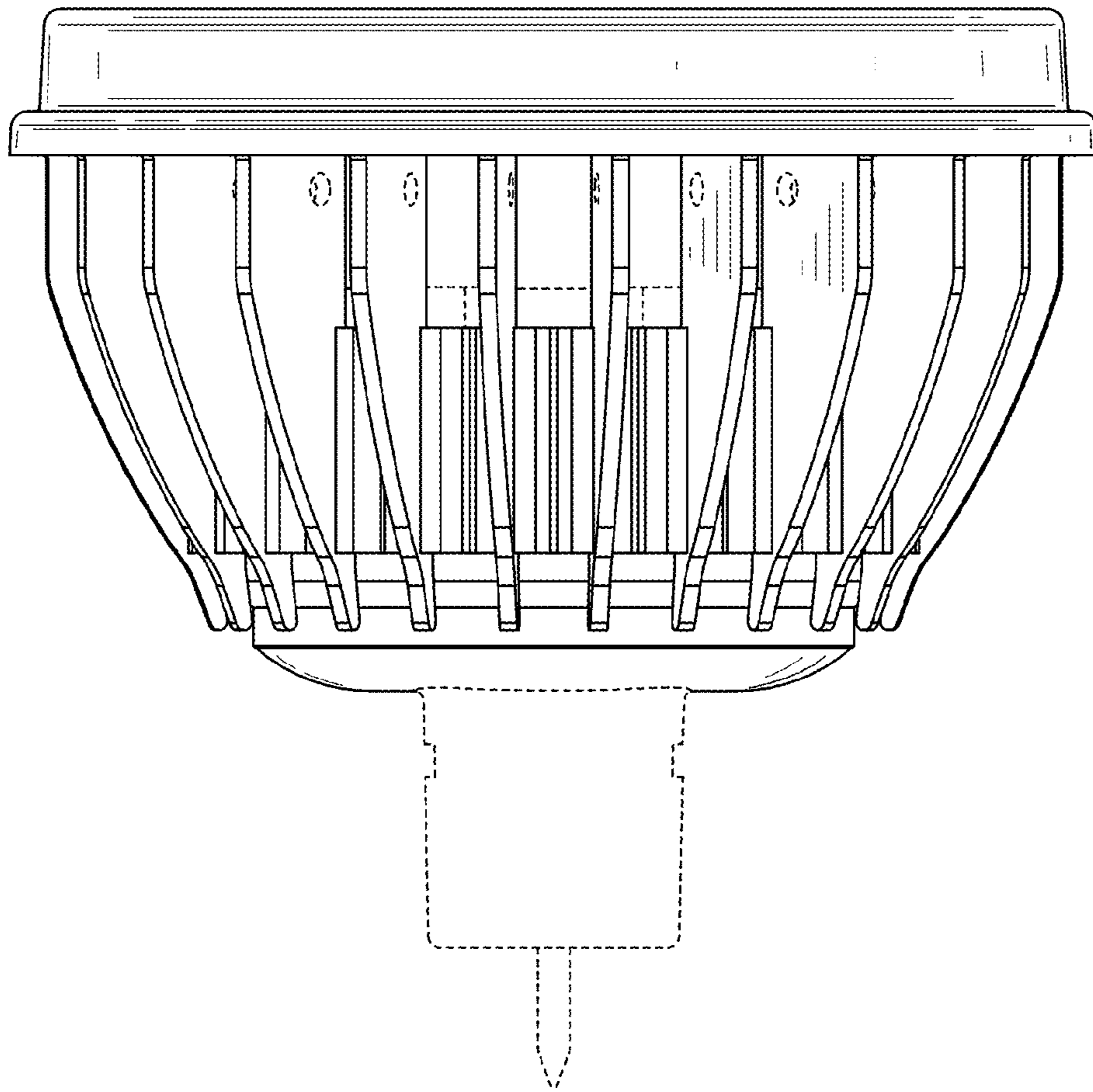


FIG. 3

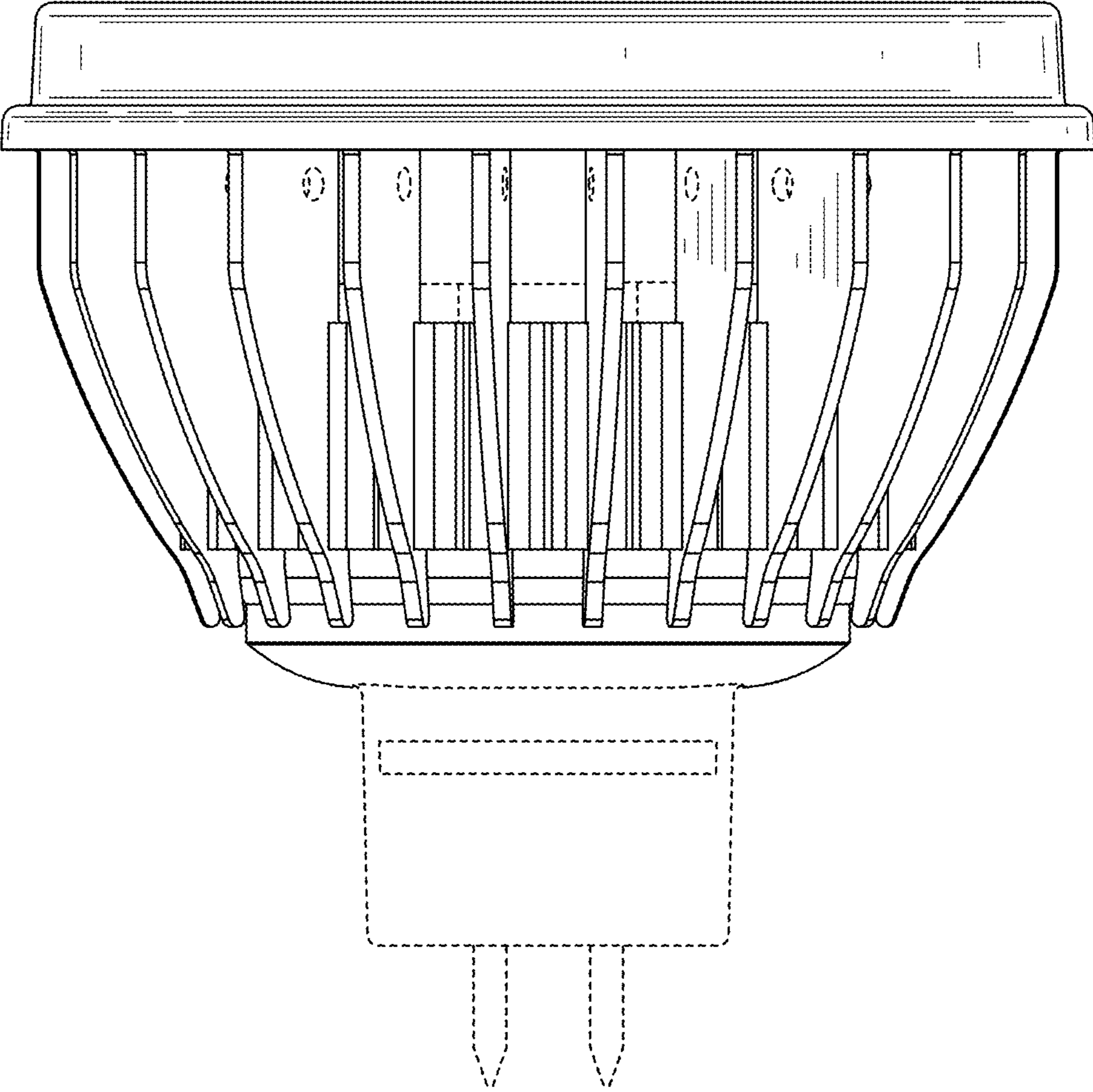


FIG. 4



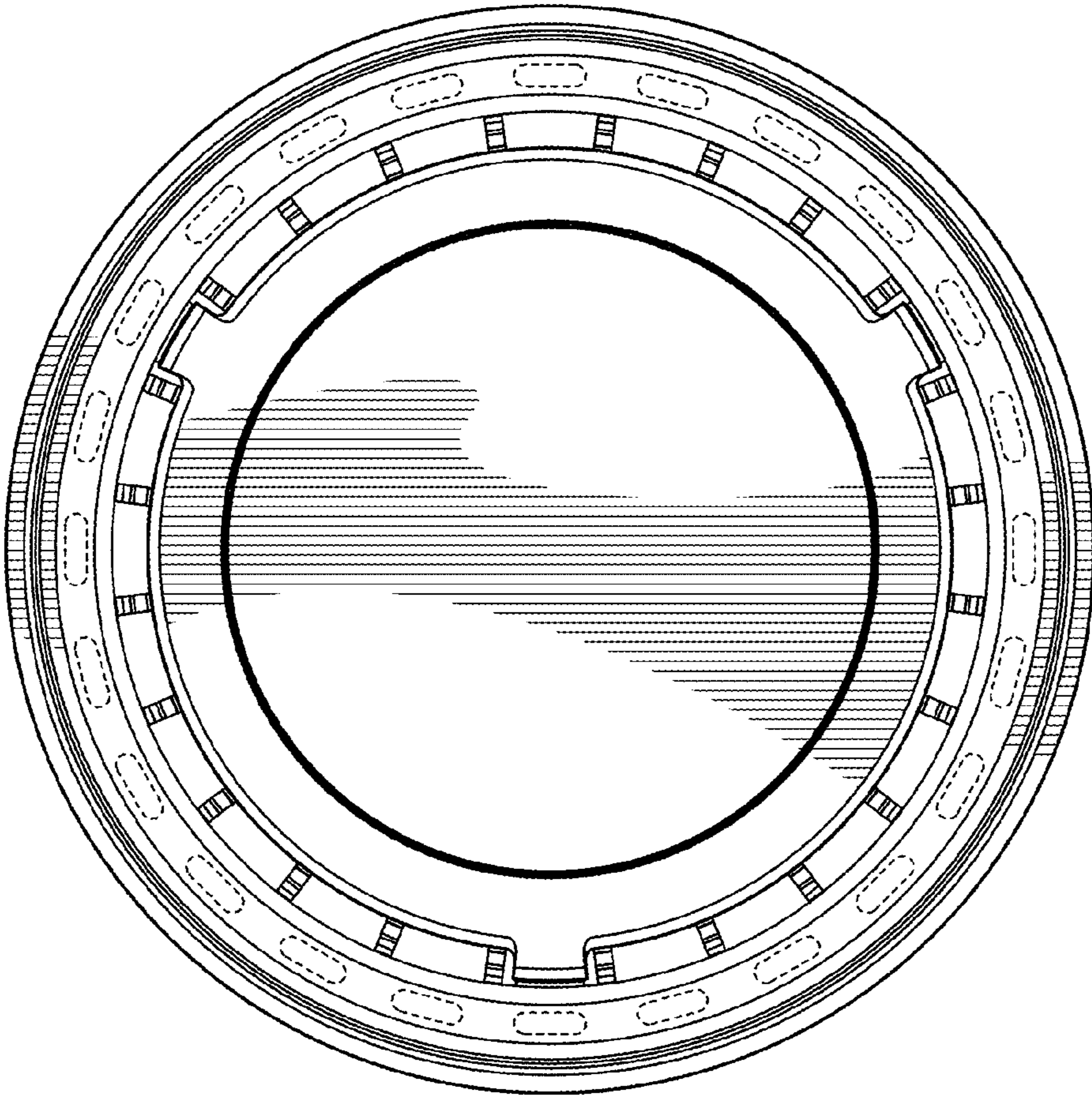


FIG. 5

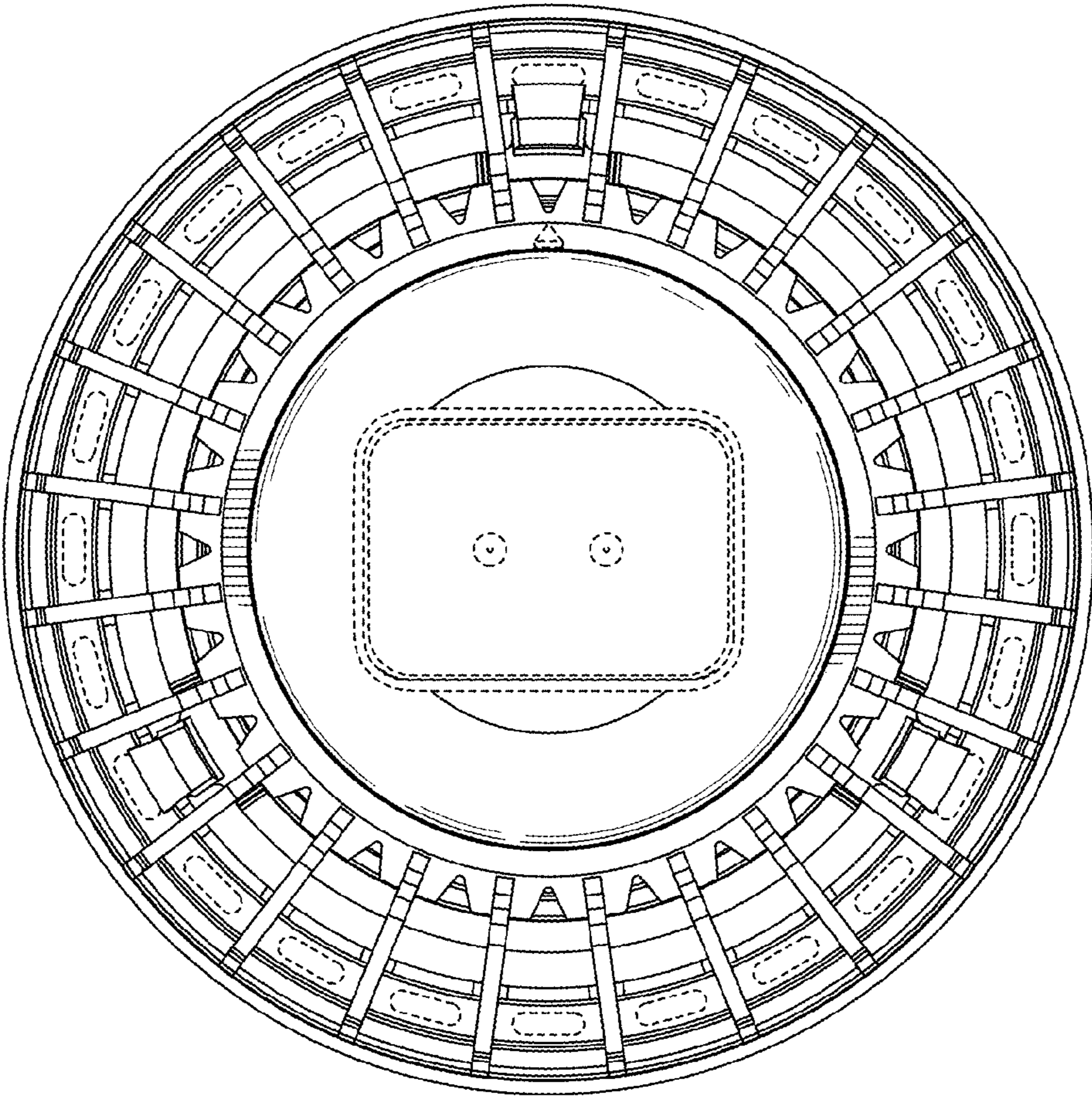


FIG. 6

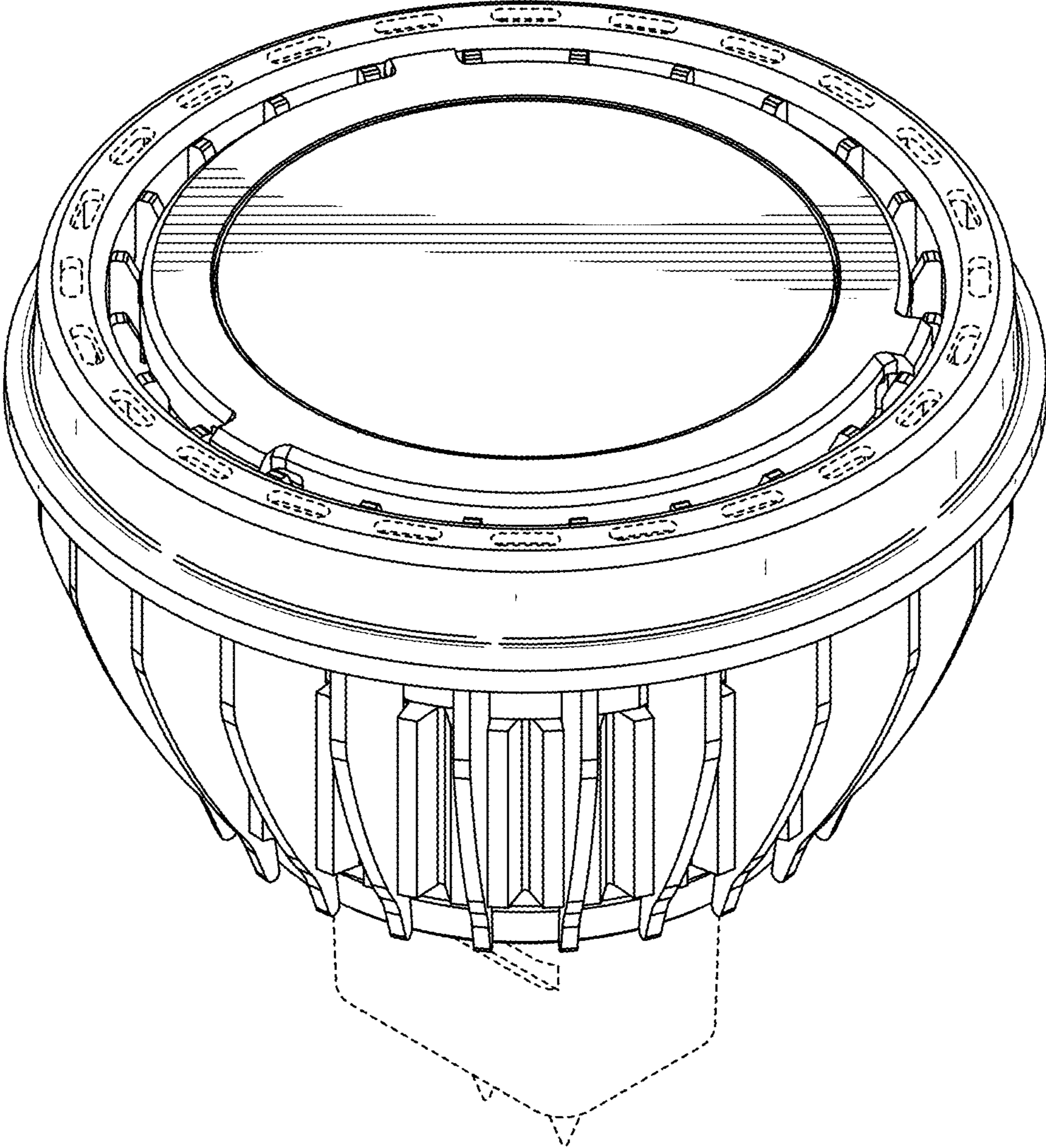


FIG. 7



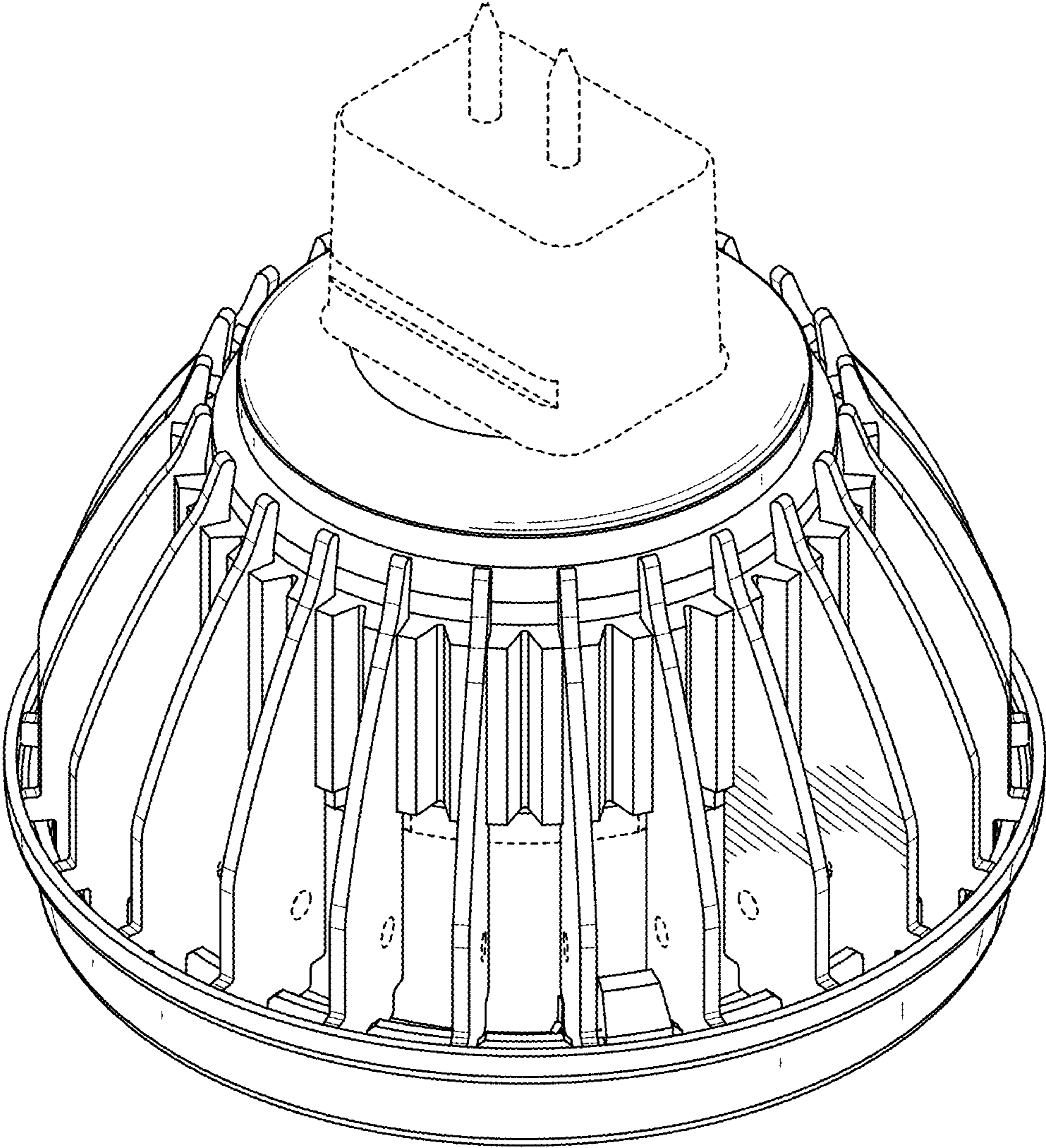


FIG. 8

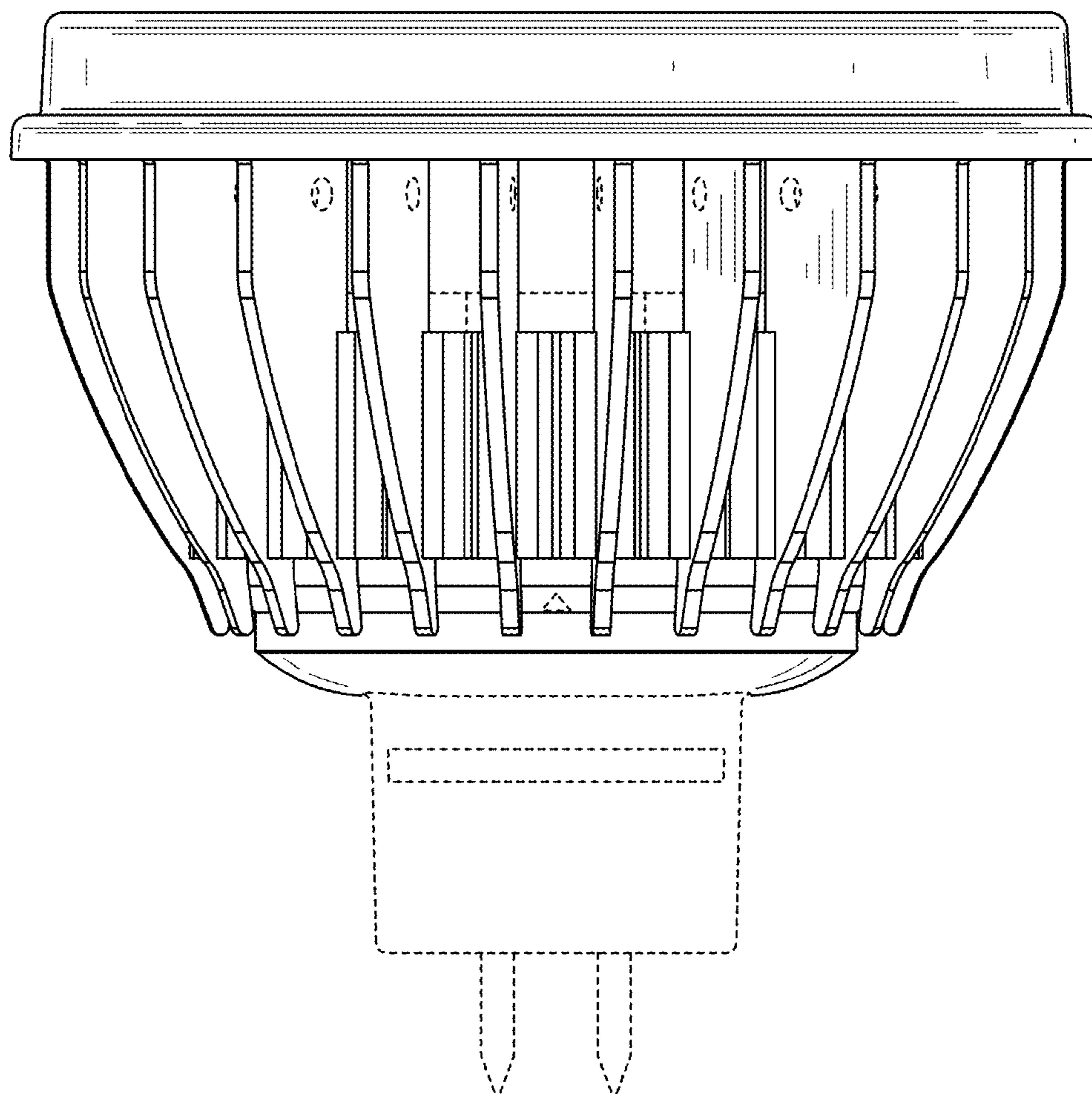


FIG. 9

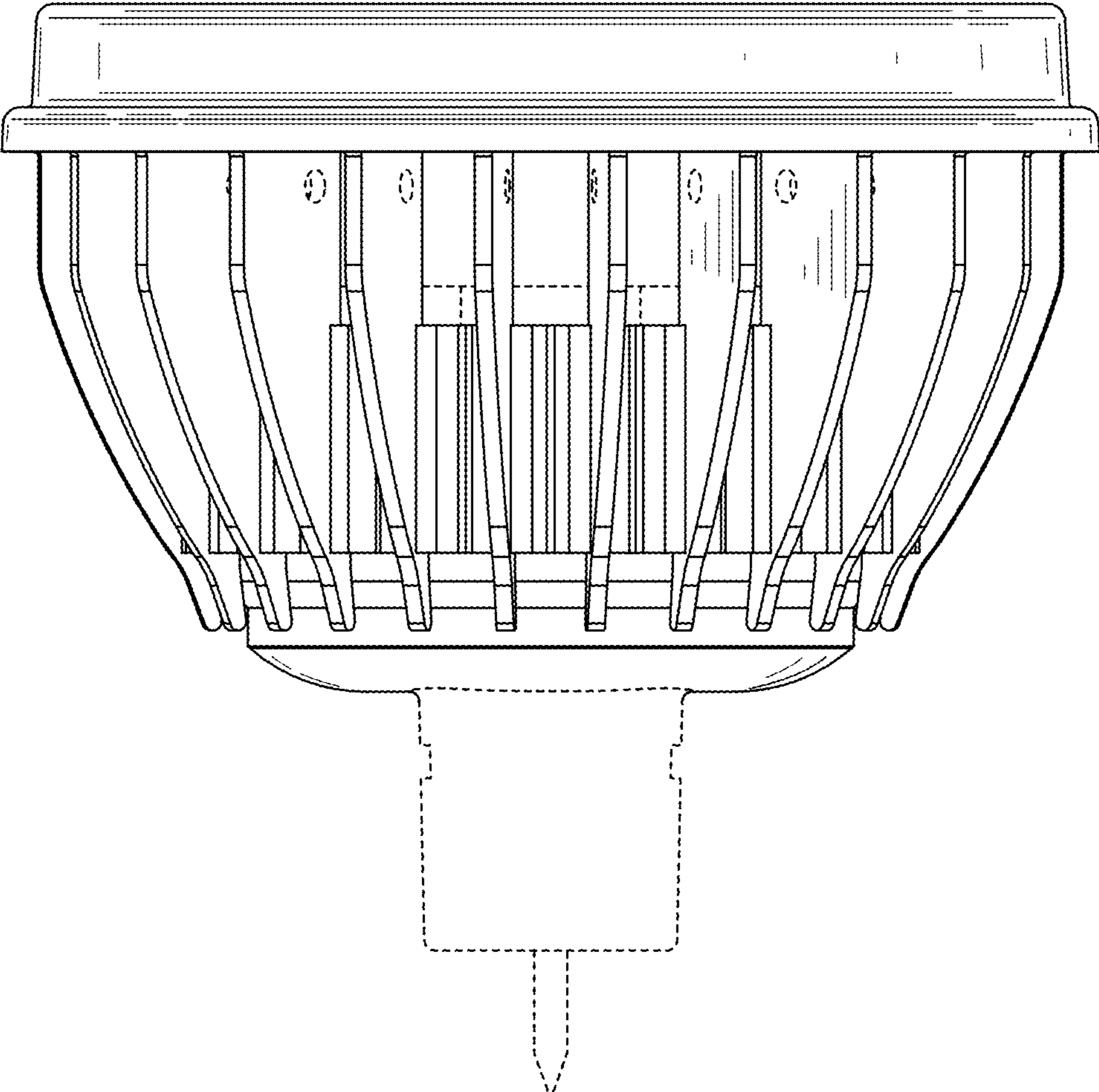


FIG. 10

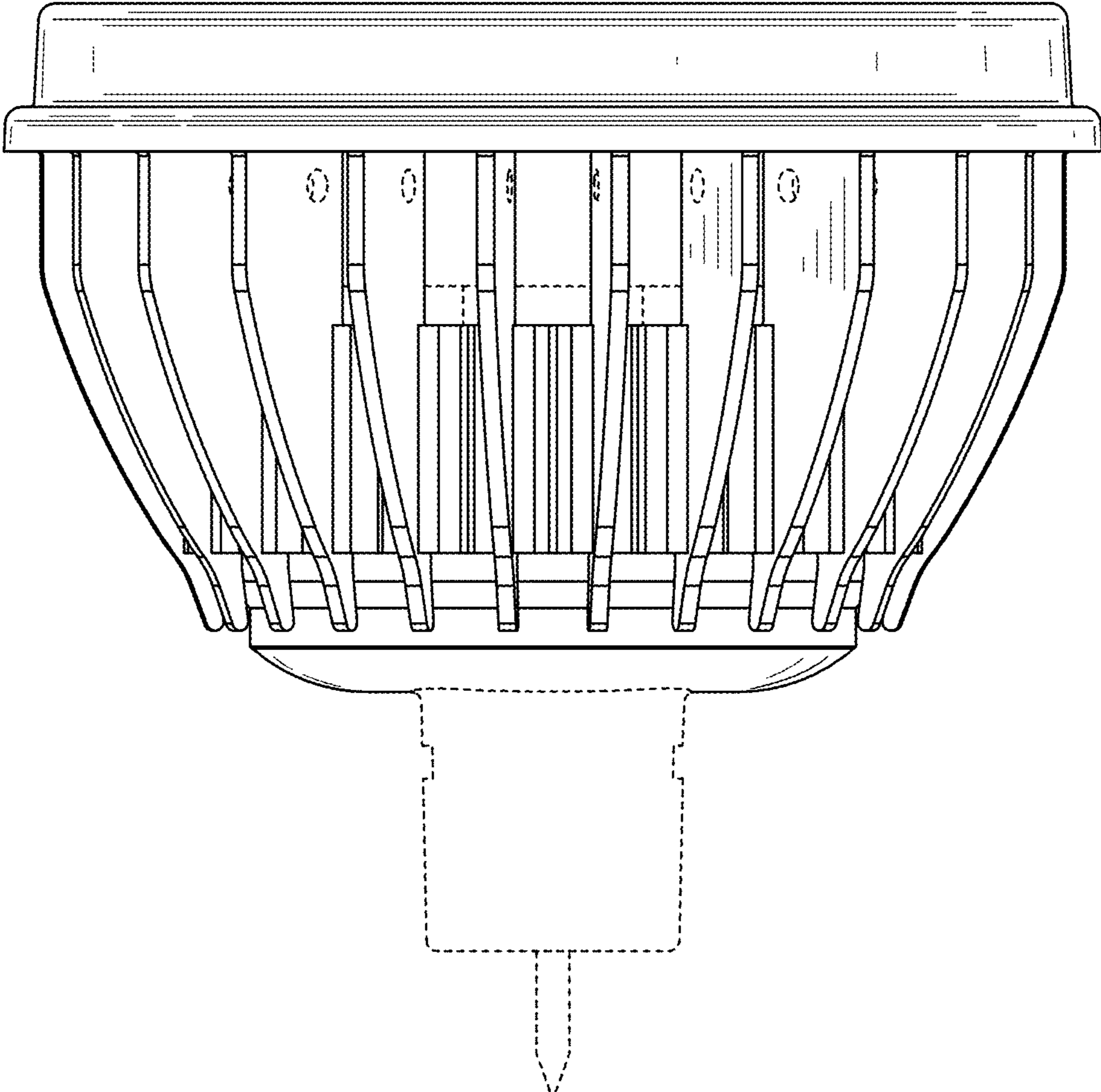


FIG. 11



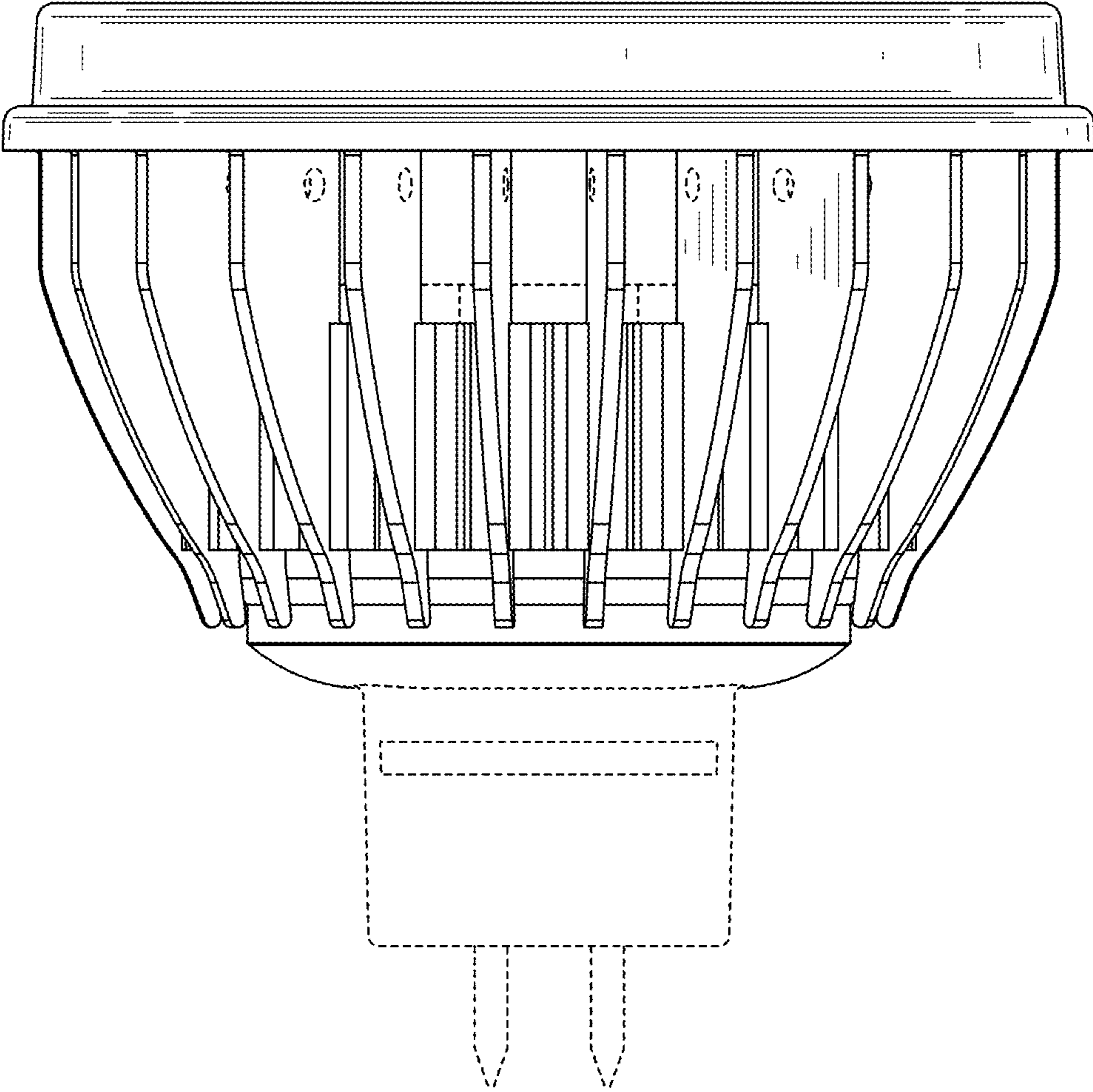


FIG. 12

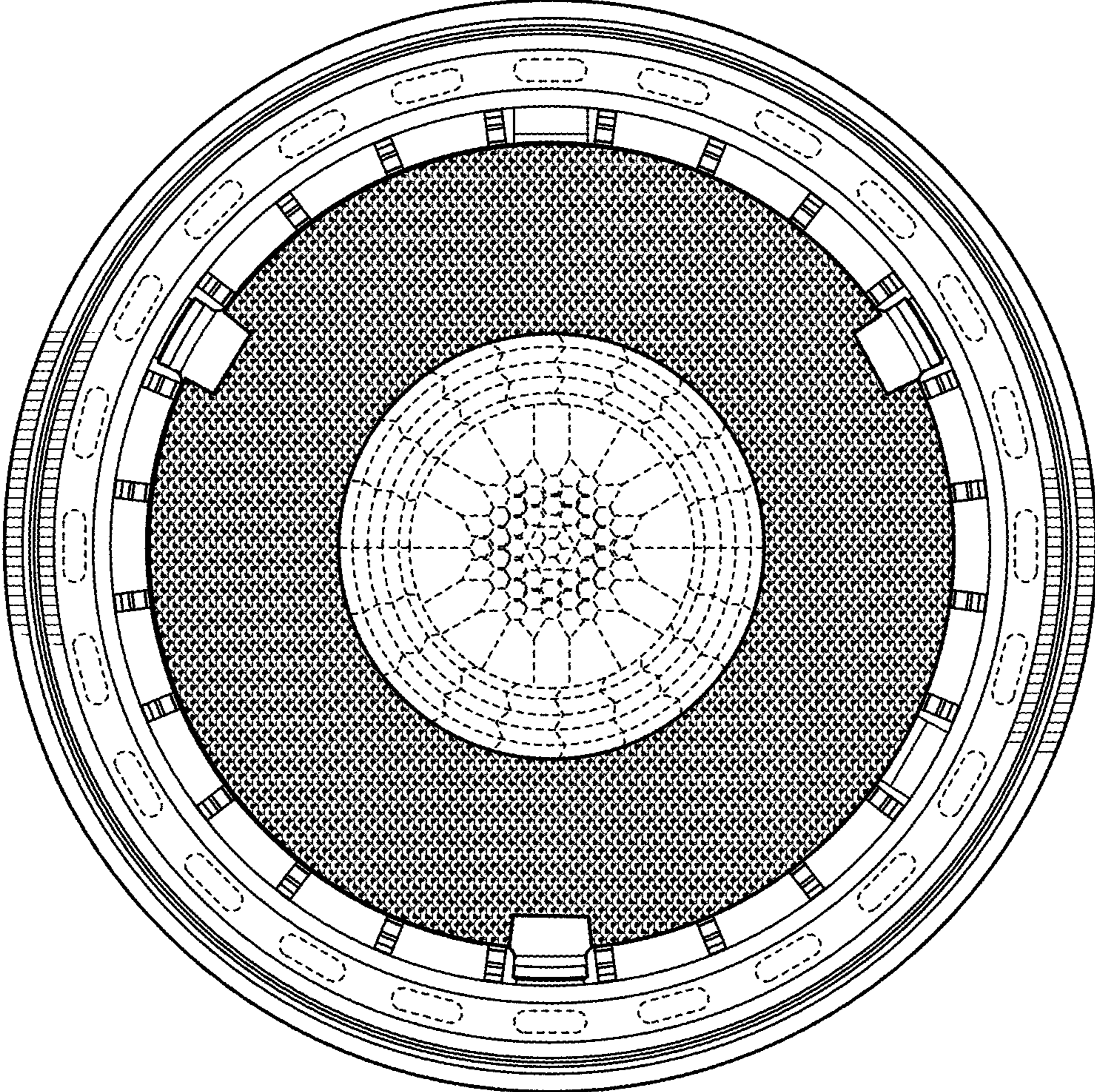


FIG. 13



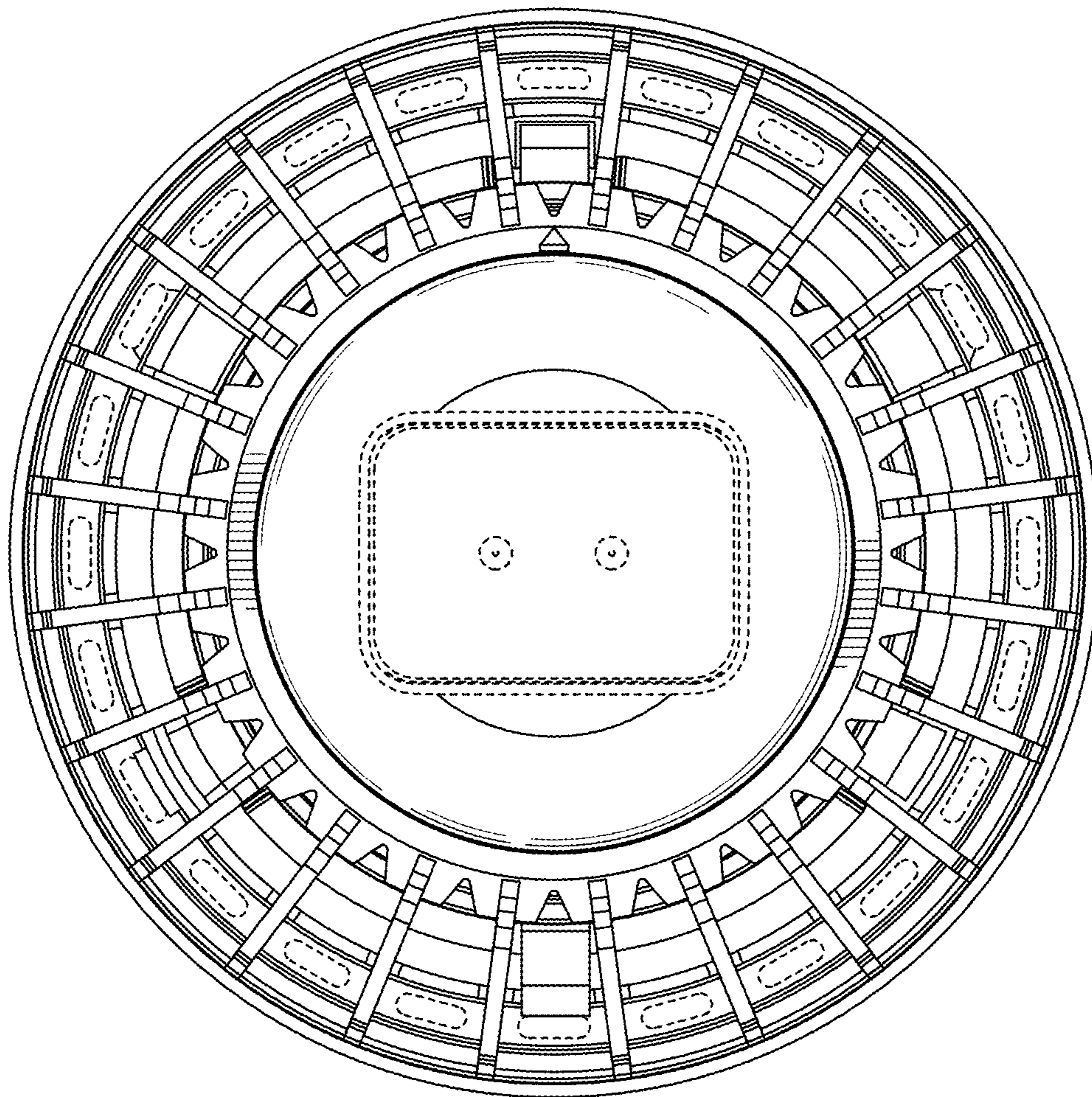


FIG. 14

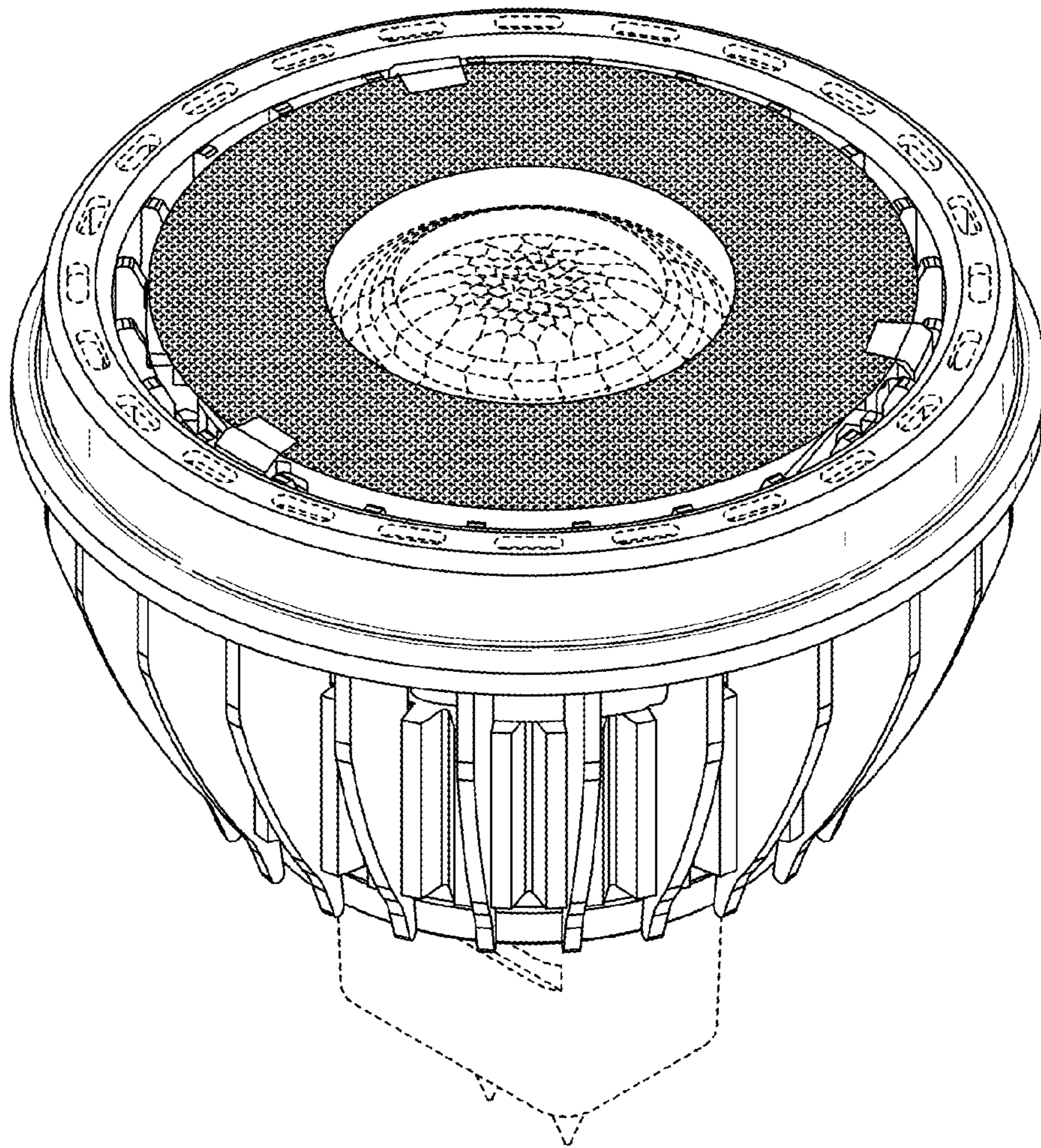


FIG. 15



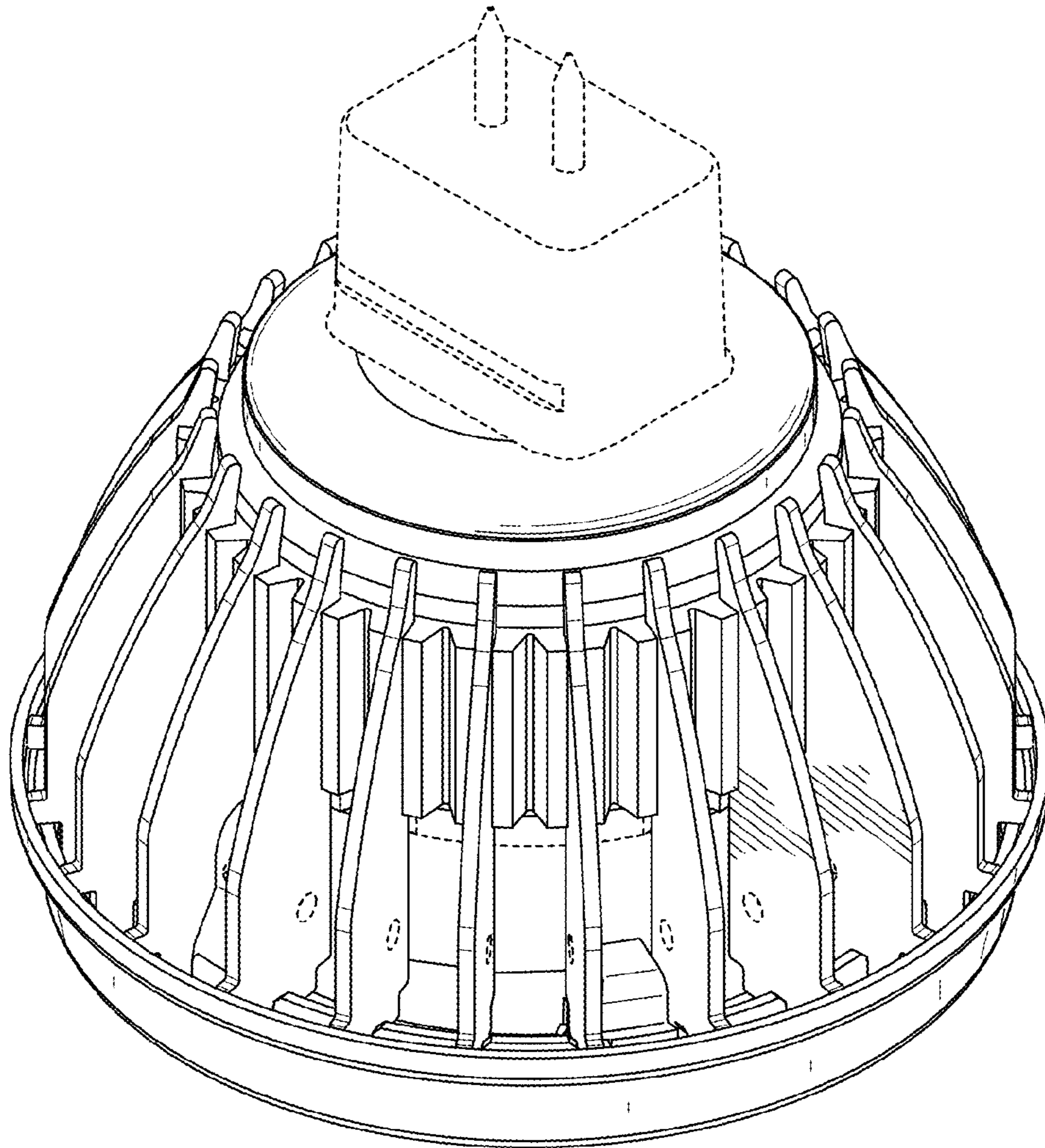


FIG. 16