



US00D746491S

(12) **United States Design Patent**
Bendtsen

(10) **Patent No.:** **US D746,491 S**

(45) **Date of Patent:** **** Dec. 29, 2015**

(54) **LED LINEAR LAMP**

(71) Applicant: **Cree, Inc.**, Durham, NC (US)

(72) Inventor: **Andrew Bendtsen**, Racine, WI (US)

(73) Assignee: **Cree, Inc.**, Durham, NC (US)

(**) Term: **14 Years**

(21) Appl. No.: **29/485,942**

(22) Filed: **Mar. 25, 2014**

(51) **LOC (10) Cl.** **26-04**

(52) **U.S. Cl.**
USPC **D26/2**

(58) **Field of Classification Search**
USPC D26/1-4; 313/313, 315, 316, 317, 318,
313/493; 315/52, 53, 56, 57, 58
See application file for complete search history.

(56) **References Cited**

U.S. PATENT DOCUMENTS

D477,093	S	*	7/2003	Moriyama et al.	D26/3
D506,274	S	*	6/2005	Moriyama et al.	D26/3
D584,429	S	*	1/2009	Pei et al.	D26/3
D594,999	S	*	6/2009	Uchida et al.	D26/3
D601,726	S	*	10/2009	Mollaert et al.	D26/3
D610,724	S	*	2/2010	Chiang et al.	D26/3
D652,968	S	*	1/2012	Aguiar et al.	D26/3

OTHER PUBLICATIONS

U.S. Appl. No. 29/485,940, filed Mar. 25, 2014.

* cited by examiner

Primary Examiner — Marcus Jackson

(74) *Attorney, Agent, or Firm* — Dennis J. Williamson;
Moore & Van Allen PLLC

(57) **CLAIM**

I claim the ornamental design for a LED linear lamp, as shown and described.

DESCRIPTION

FIG. 1 is a front view showing an embodiment of my new design for a LED linear lamp, the back view being identical to the front view;

FIG. 2 is a bottom view showing my new design shown in FIG. 1;

FIG. 3 is a top view showing my new design shown in FIG. 1; FIG. 4 is a right side view showing my new design shown in FIG. 1;

FIG. 5 is a perspective view showing my new design shown in FIG. 1;

FIG. 6 is a broken front view showing my new design for a LED linear lamp shown in FIG. 1, in greater detail, the back view being identical;

FIG. 7 is a broken bottom view showing my new design shown in FIG. 1 in greater detail;

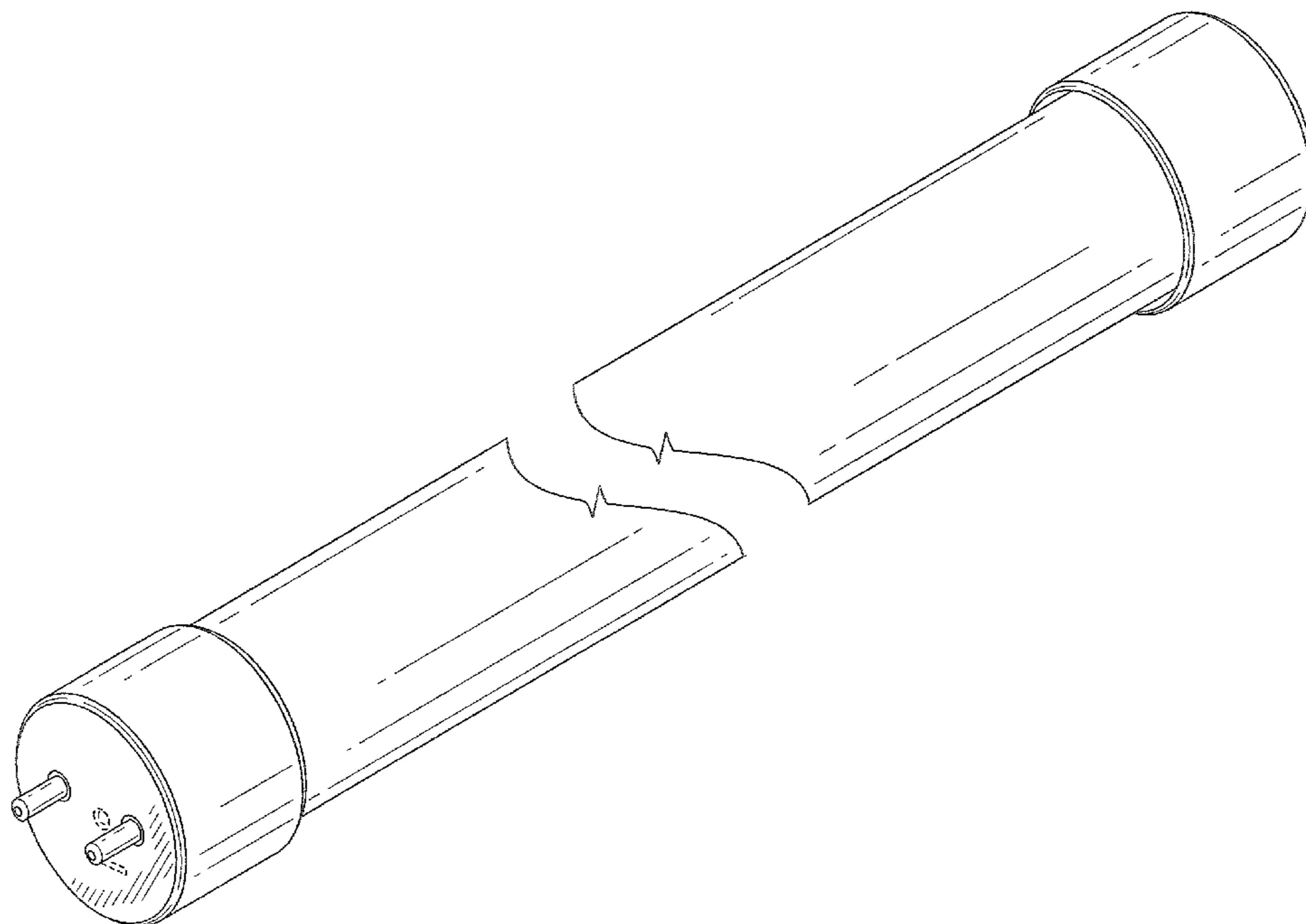
FIG. 8 is a broken top view showing my new design shown in FIG. 1 in greater detail;

FIG. 9 is a left side view showing my new design shown in FIG. 1; and,

FIG. 10 is a broken perspective view showing my new design shown in FIG. 1 in greater detail.

The portions shown in broken lines are not part of the claimed design but show the environment in which the design is associated.

1 Claim, 6 Drawing Sheets



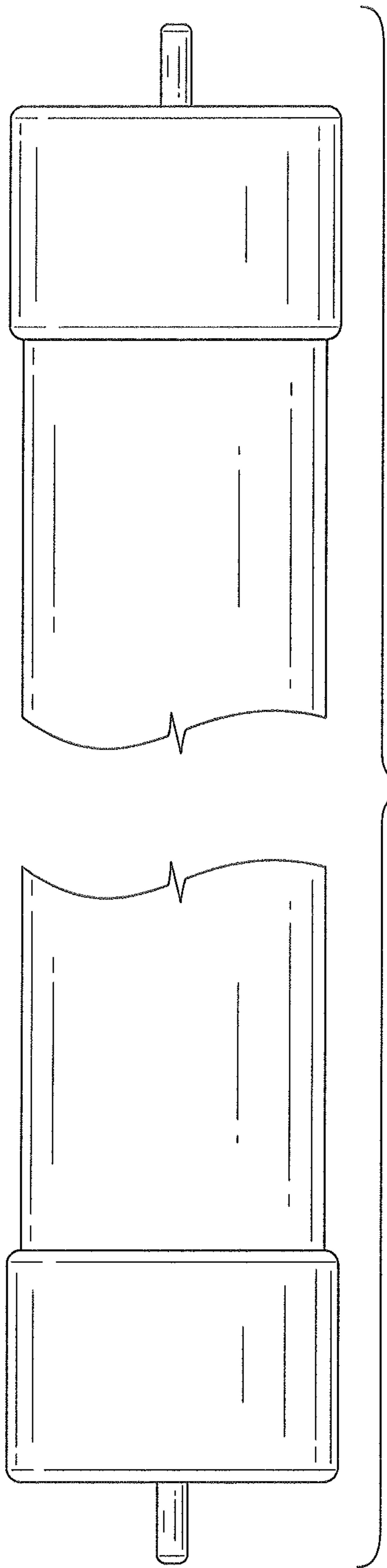


FIG. 6



FIG. 1

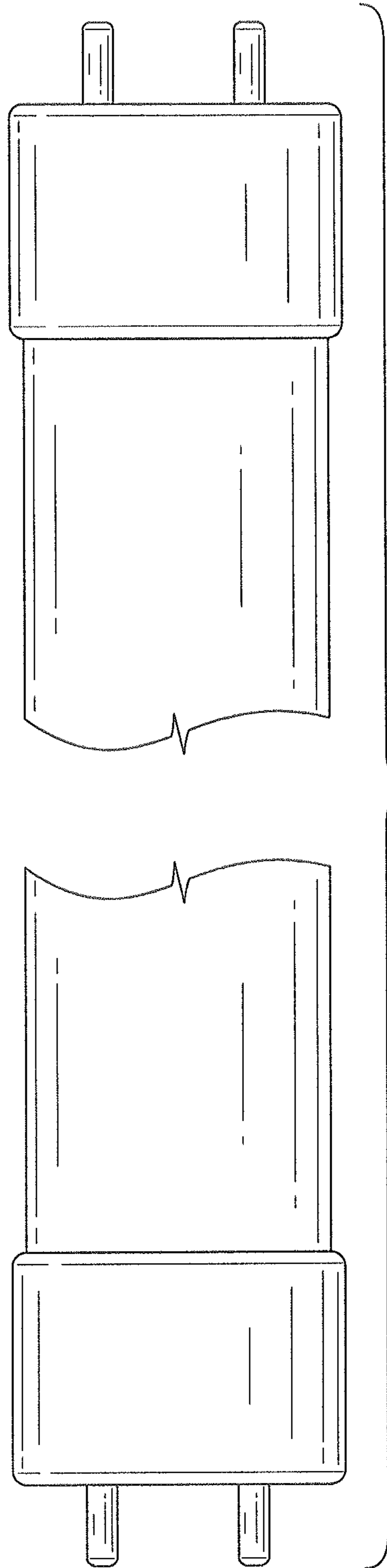


FIG. 7



FIG. 2

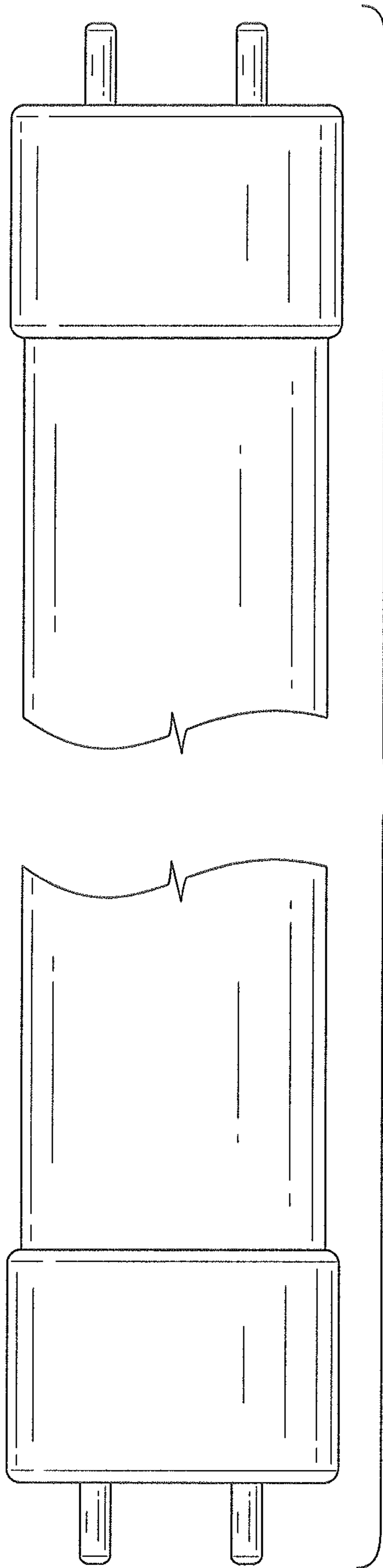


FIG. 8

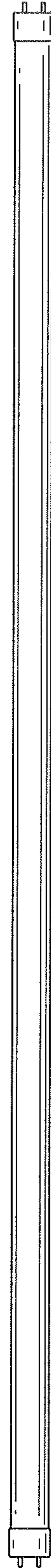


FIG. 3

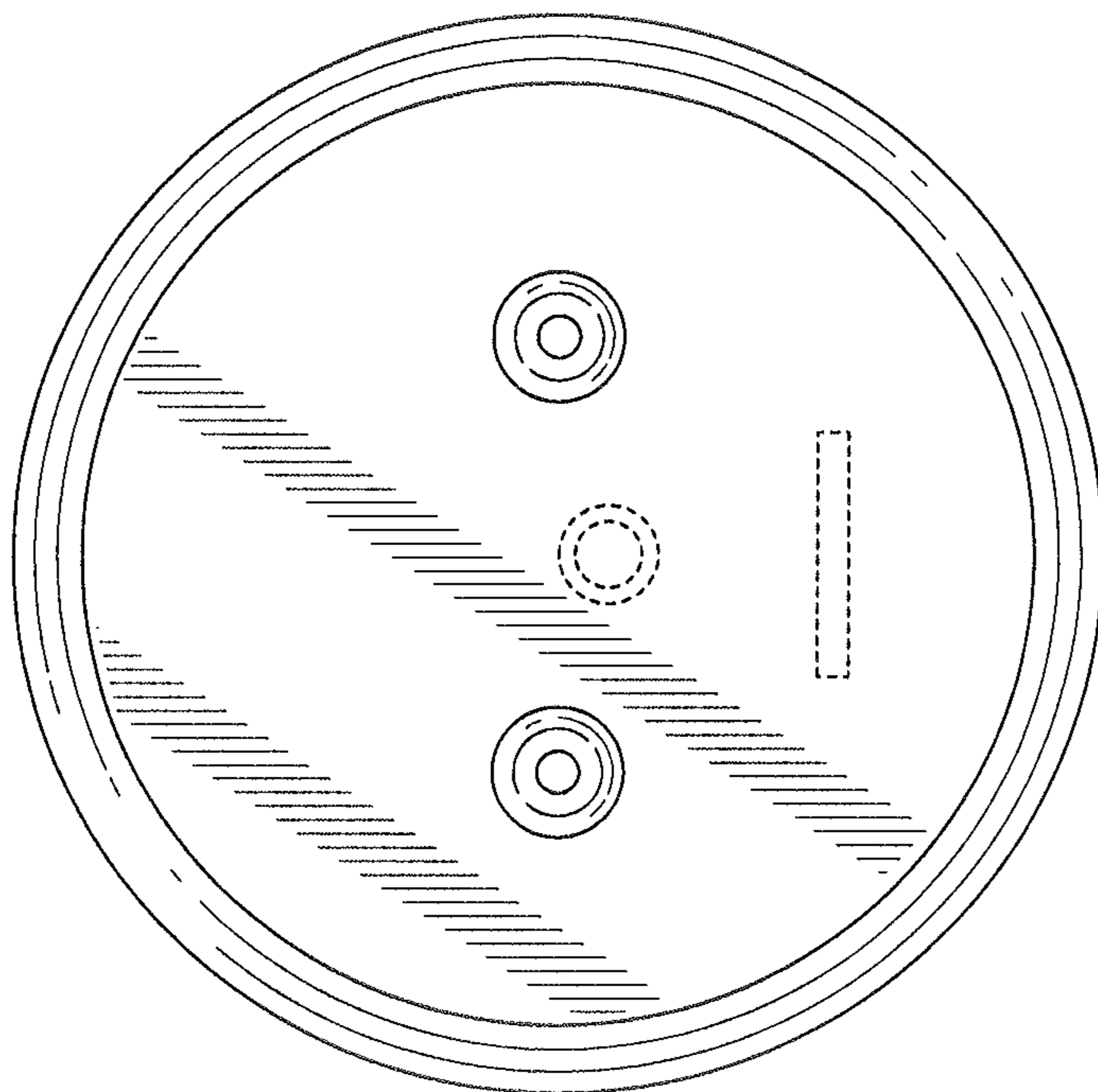


FIG. 9

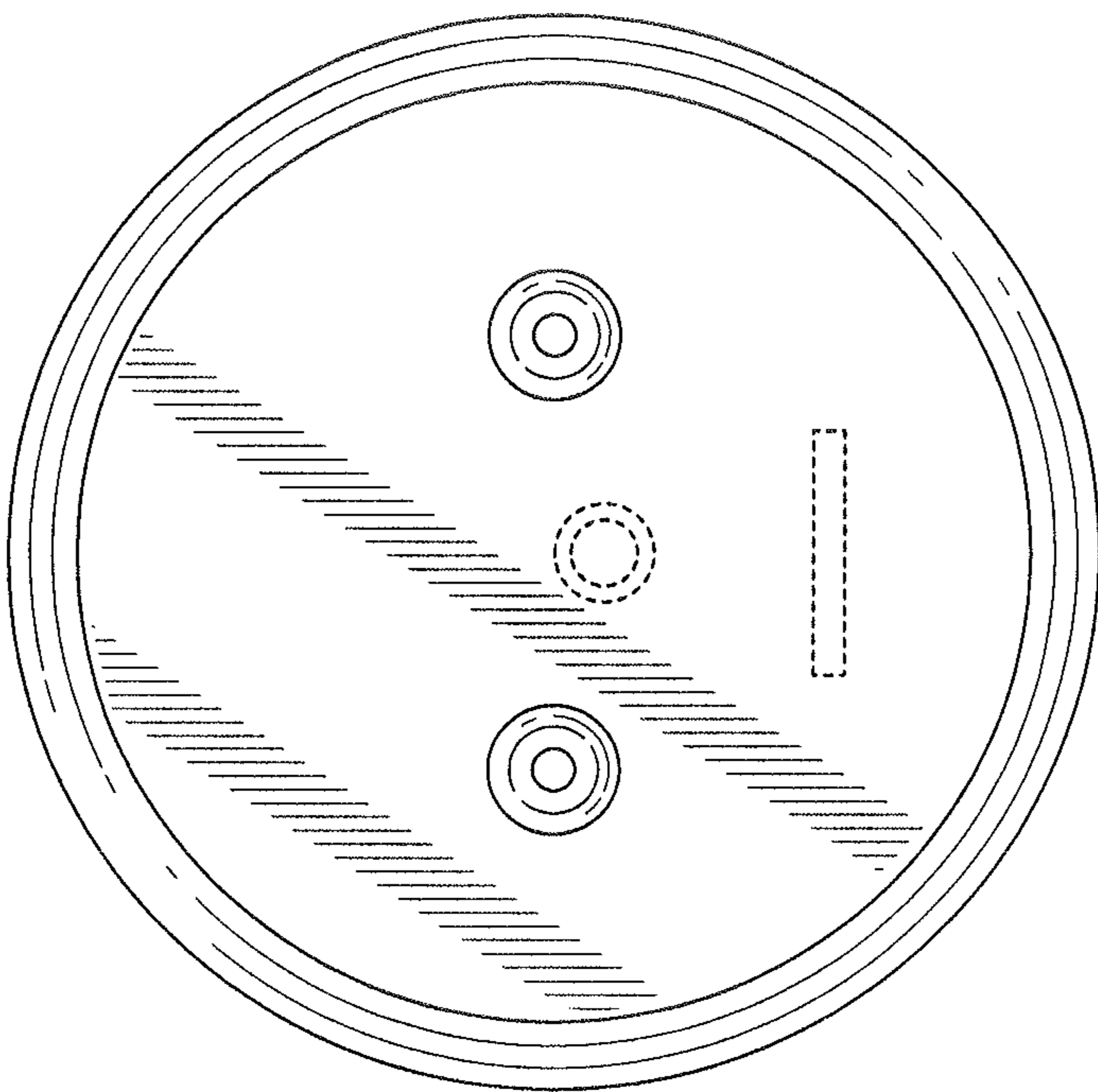


FIG. 4

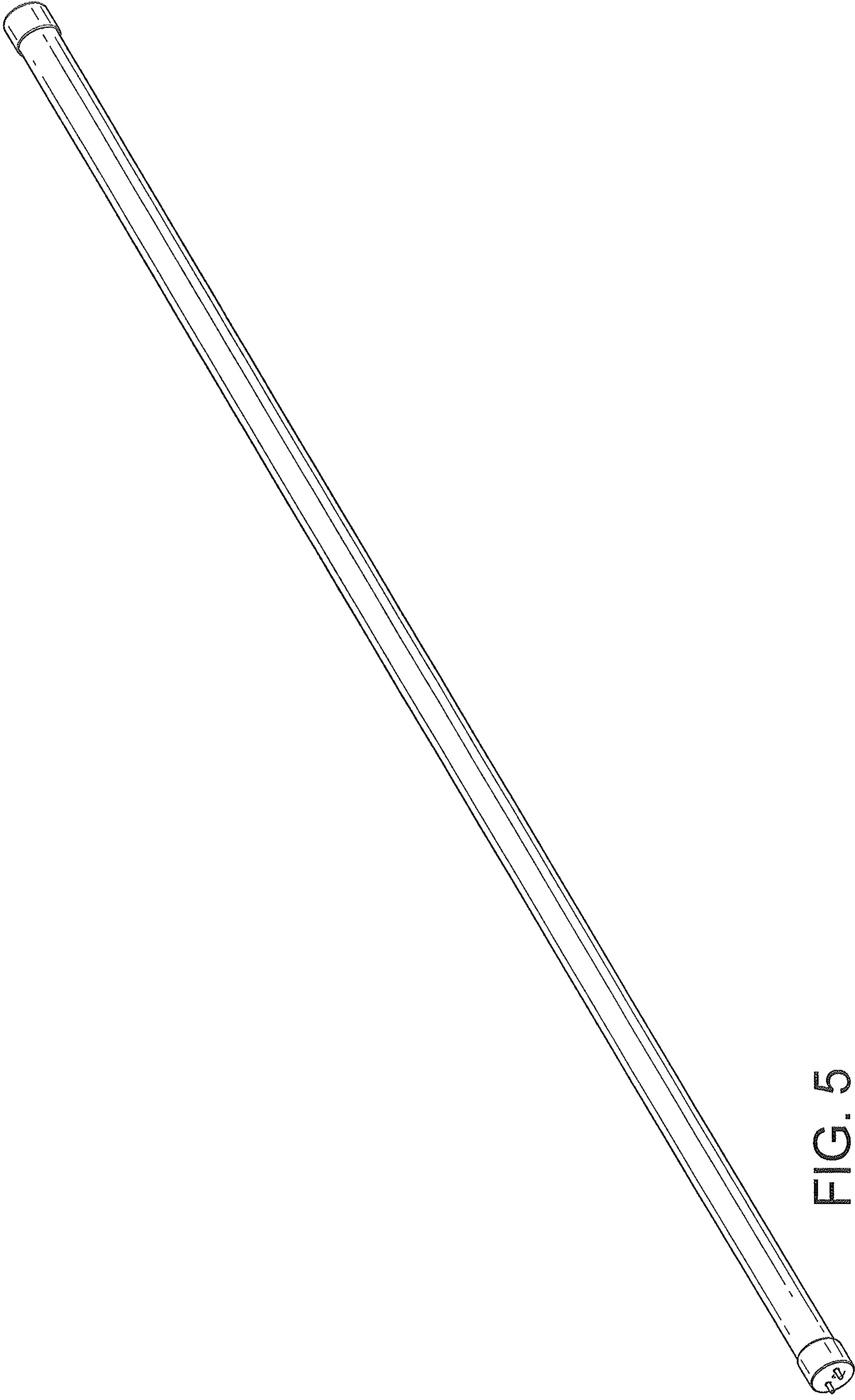


FIG. 5

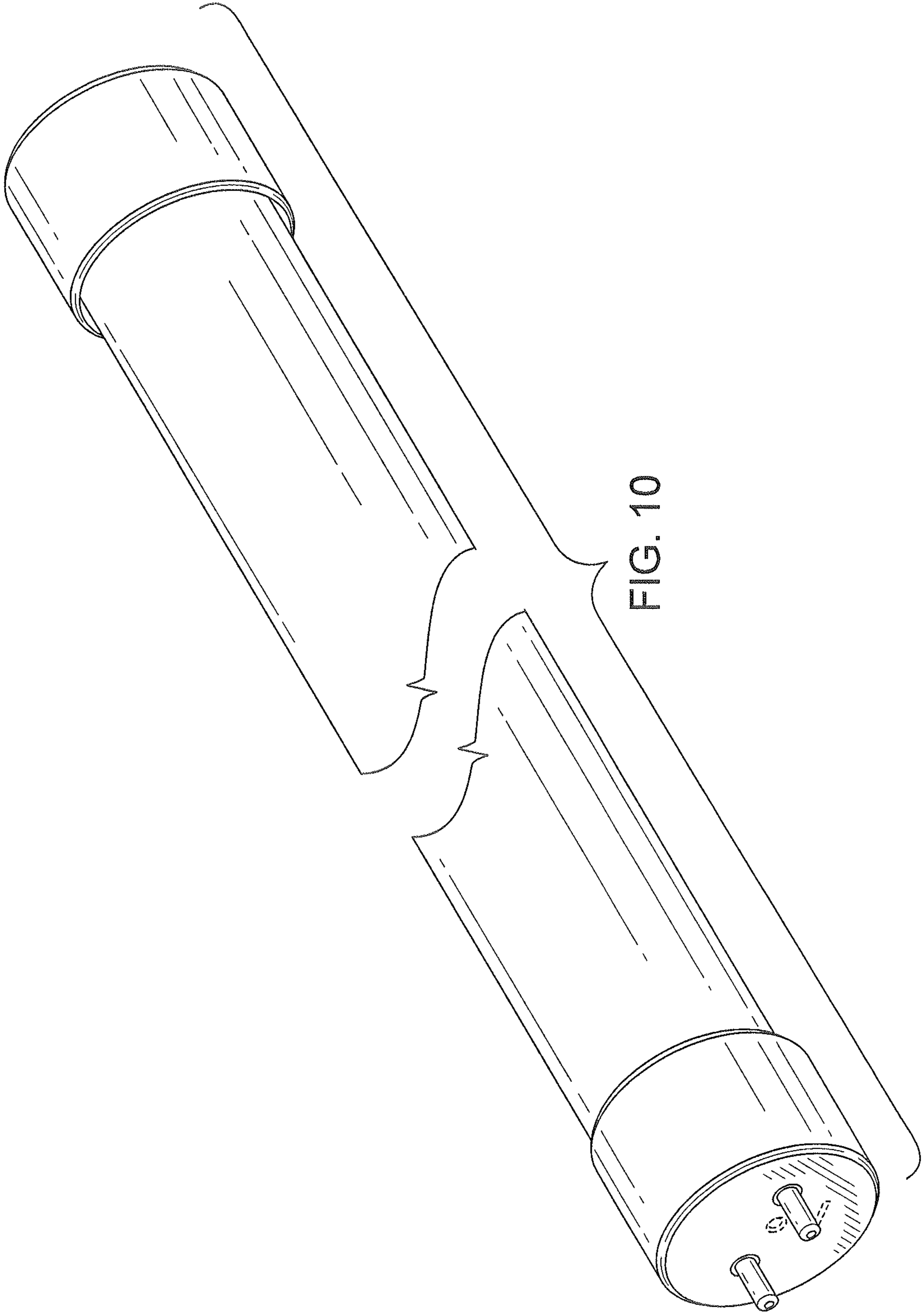


FIG. 10