



US00D746488S

(12) **United States Design Patent**  
**Luchini**

(10) **Patent No.:** **US D746,488 S**

(45) **Date of Patent:** **\*\* Dec. 29, 2015**

(54) **PANELING**

(71) Applicant: **NUOVA CEVAL S.r.l.**, Aosta (IT)

(72) Inventor: **Claudio Luchini**, Aosta (IT)

(73) Assignee: **NUOVA CEVAL S.R.L.**, Aosta (IT)

(\*\*) Term: **14 Years**

(21) Appl. No.: **29/476,712**

(22) Filed: **Dec. 16, 2013**

(30) **Foreign Application Priority Data**

Jun. 17, 2013 (EM) ..... 002256529

(51) **LOC (10) Cl.** ..... **25-01**

(52) **U.S. Cl.**  
USPC ..... **D25/138**

(58) **Field of Classification Search**  
USPC ..... D5/1-3, 44, 58, 60, 99; D6/332;  
D25/58, 113-115, 136, 138, 139,  
D25/140-144, 153, 156-157, 159, 163, 164,  
D25/199

CPC ..... E04C 2/32; E04C 5/04; E04B 1/62;  
E04B 1/68; E04B 2/08; E04B 2/18; E04B  
2/28; E04B 2/30; E04B 9/064; E04B 9/067;  
E04B 9/068; E04B 9/06; E04B 9/12; E04B  
9/14; E04B 9/18; E04B 9/122; E04B 9/127;  
E04B 2002/0215; E04B 2002/0297

See application file for complete search history.

(56) **References Cited**

**U.S. PATENT DOCUMENTS**

2,877,510 A \* 3/1959 Bruemmer ..... 52/509  
3,831,334 A \* 8/1974 Rutkowski et al. .... 52/288.1  
3,844,082 A \* 10/1974 Martin et al. .... 52/540  
4,060,437 A \* 11/1977 Strout ..... 156/71  
4,409,276 A \* 10/1983 Martinelli et al. .... 428/142  
D284,131 S \* 6/1986 Czerny ..... D5/53  
D391,404 S \* 3/1998 Small et al. .... D5/63

D409,842 S \* 5/1999 Alfonso et al. .... D5/99  
D410,338 S \* 6/1999 Alfonso et al. .... D5/62  
D410,791 S \* 6/1999 Alfonso et al. .... D5/62  
D419,778 S \* 2/2000 Alfonso et al. .... D5/44  
D428,500 S \* 7/2000 Wederski ..... D25/150  
D448,180 S \* 9/2001 Alfonso et al. .... D5/99  
D453,629 S \* 2/2002 Kraker ..... D5/43  
D484,707 S \* 1/2004 Kraker ..... D5/43  
D486,922 S \* 2/2004 Baxter ..... D25/163  
D529,197 S \* 9/2006 Folliard ..... D25/119  
D531,327 S \* 10/2006 Folliard ..... D25/163  
D572,846 S \* 7/2008 Park et al. .... D25/151  
D582,061 S \* 12/2008 Park et al. .... D25/151  
D623,770 S \* 9/2010 Johnston ..... D25/136  
D659,265 S \* 5/2012 Kurtz ..... D25/138

(Continued)

*Primary Examiner* — Karen S Acker

*Assistant Examiner* — Amy Wierenga

(74) *Attorney, Agent, or Firm* — Leason Ellis LLP

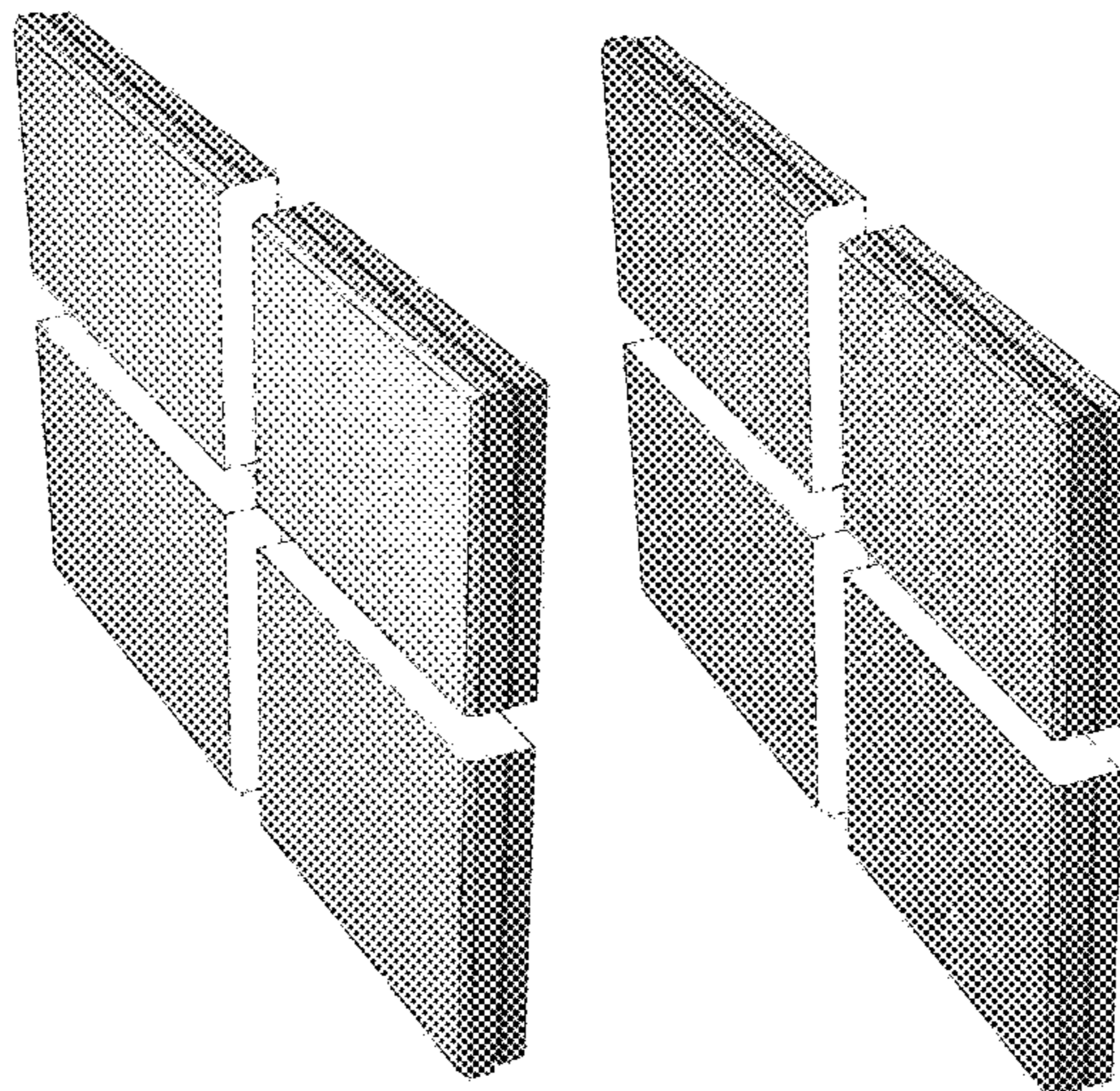
(57) **CLAIM**

The ornamental design for paneling, as shown and described.

**DESCRIPTION**

FIG. 1 is a front and side perspective view of a paneling showing my new design according to a first embodiment; FIG. 2 is a front elevation view thereof; FIG. 3 is a top plan view thereof, the bottom plan view being a mirror image thereof; FIG. 4 is a left side elevation view thereof; the right side elevation view being a mirror image thereof; FIG. 5 is a front and side perspective view of a paneling showing my new design according to a second embodiment; FIG. 6 is a front elevation view thereof; FIG. 7 is a top plan view thereof, the bottom plan view being a mirror image thereof; and, FIG. 8 is a left side elevation view thereof; the right side elevation view being a mirror image thereof. The broken lines (dash-dot-dash) shown in various figures define boundaries of the claimed design and form no part thereof.

**1 Claim, 8 Drawing Sheets**



(56)

**References Cited**

U.S. PATENT DOCUMENTS

D679,422 S *	4/2013	Rhee	.....	D25/150	D712,667 S *	9/2014	Grzeskowiak et al.	.....	D5/44
D679,423 S *	4/2013	Rhee	.....	D25/150	D712,668 S *	9/2014	Grzeskowiak et al.	.....	D5/44
D686,350 S *	7/2013	Mussini	.....	D25/149	D712,669 S *	9/2014	Grzeskowiak et al.	.....	D5/44
D686,352 S *	7/2013	Mussini	.....	D25/157	D712,670 S *	9/2014	Grzeskowiak et al.	.....	D5/44
D705,455 S *	5/2014	Choi et al.	.....	D25/151	D712,671 S *	9/2014	Grzeskowiak et al.	.....	D5/44
D705,954 S *	5/2014	Choi et al.	.....	D25/151	D713,154 S *	9/2014	Grzeskowiak et al.	.....	D5/44
D705,955 S *	5/2014	Choi et al.	.....	D25/151	D714,559 S *	10/2014	McCuaig	.....	D5/44
D705,956 S *	5/2014	Choi et al.	.....	D25/151	D715,562 S *	10/2014	Zeamer	.....	D5/44
D712,161 S *	9/2014	Grzeskowiak et al.	.....	D5/44	D715,563 S *	10/2014	Zeamer	.....	D5/44
D712,665 S *	9/2014	Grzeskowiak et al.	.....	D5/44	D715,564 S *	10/2014	Zeamer	.....	D5/44
D712,666 S *	9/2014	Grzeskowiak et al.	.....	D5/44	2005/0115626 A1 *	6/2005	Juarranz Moratilla	.....	138/149
							et al.	.....	52/309.1
					2009/0313928 A1 *	12/2009	Montgomery	.....	52/220.1
					2013/0133277 A1 *	5/2013	Lewis	.....	

\* cited by examiner

Fig. 1

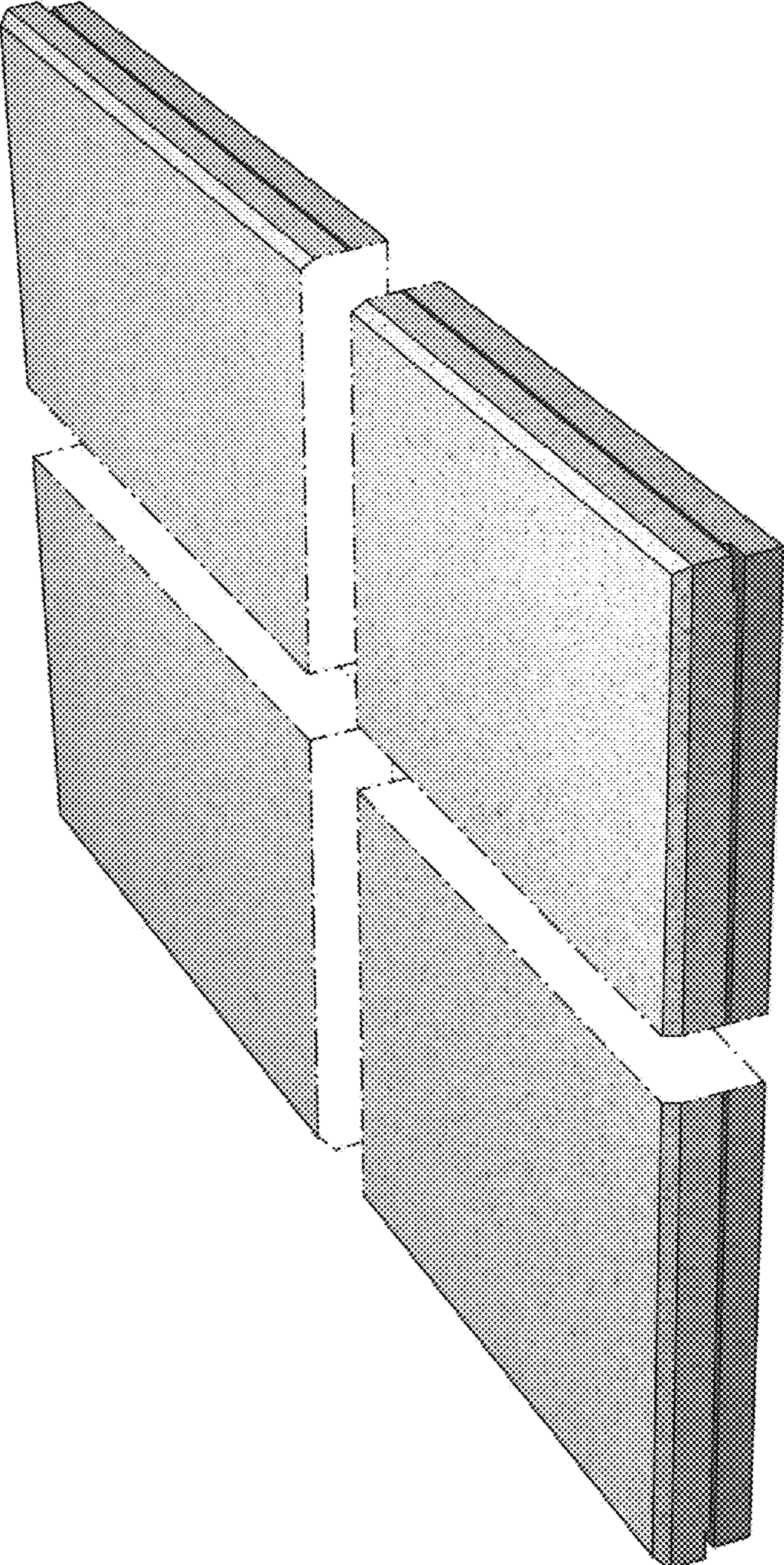


Fig. 2

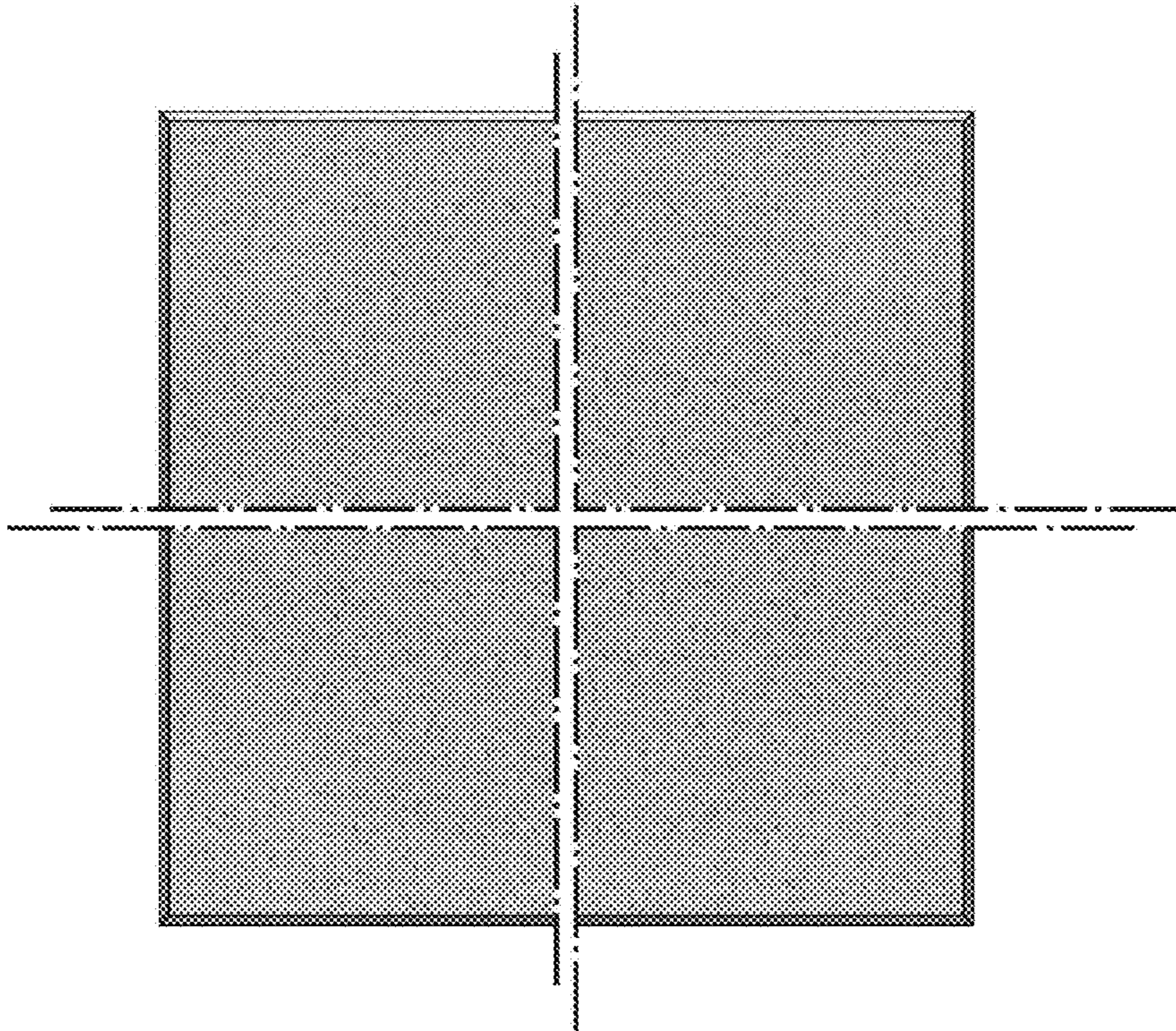


Fig. 3

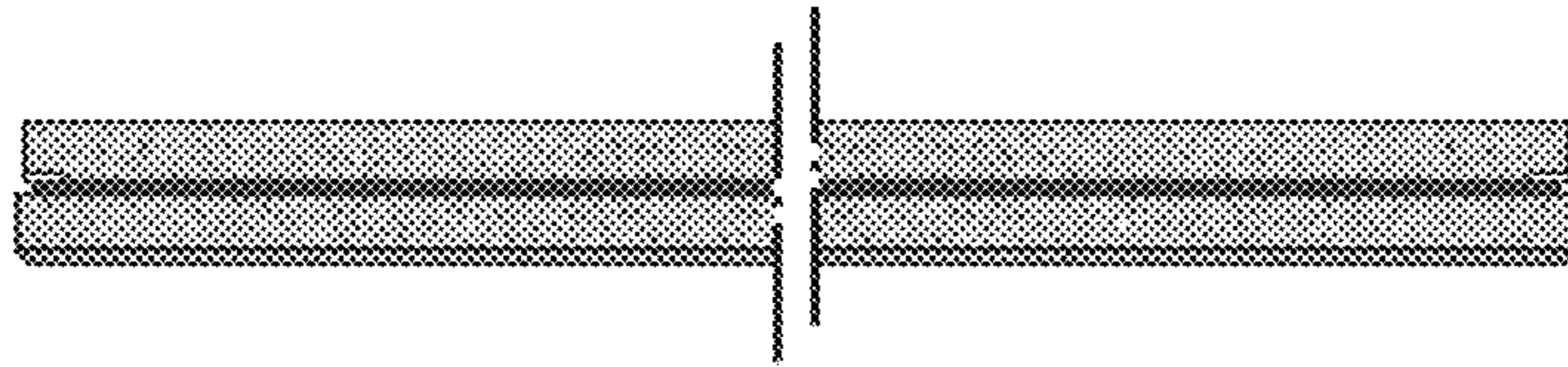


Fig. 4

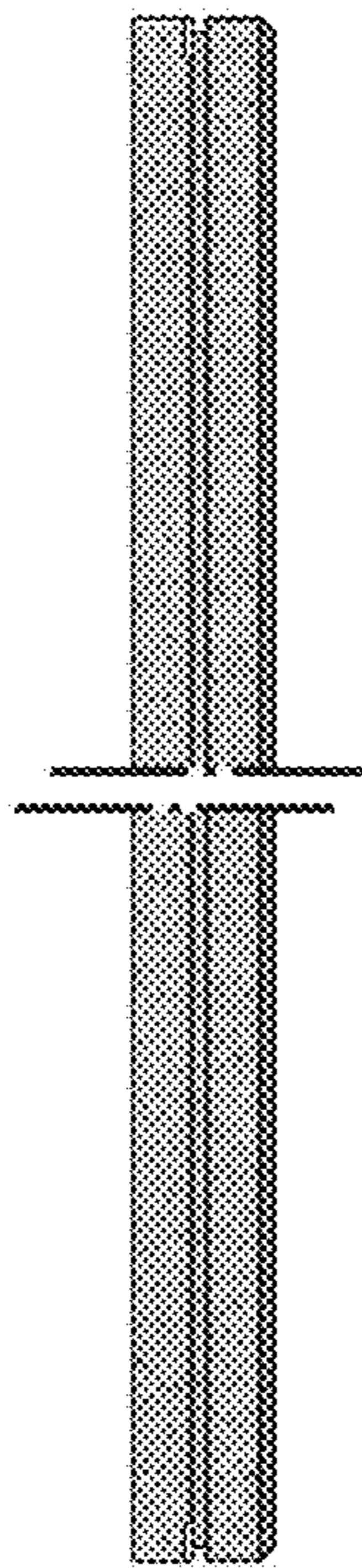


Fig. 5

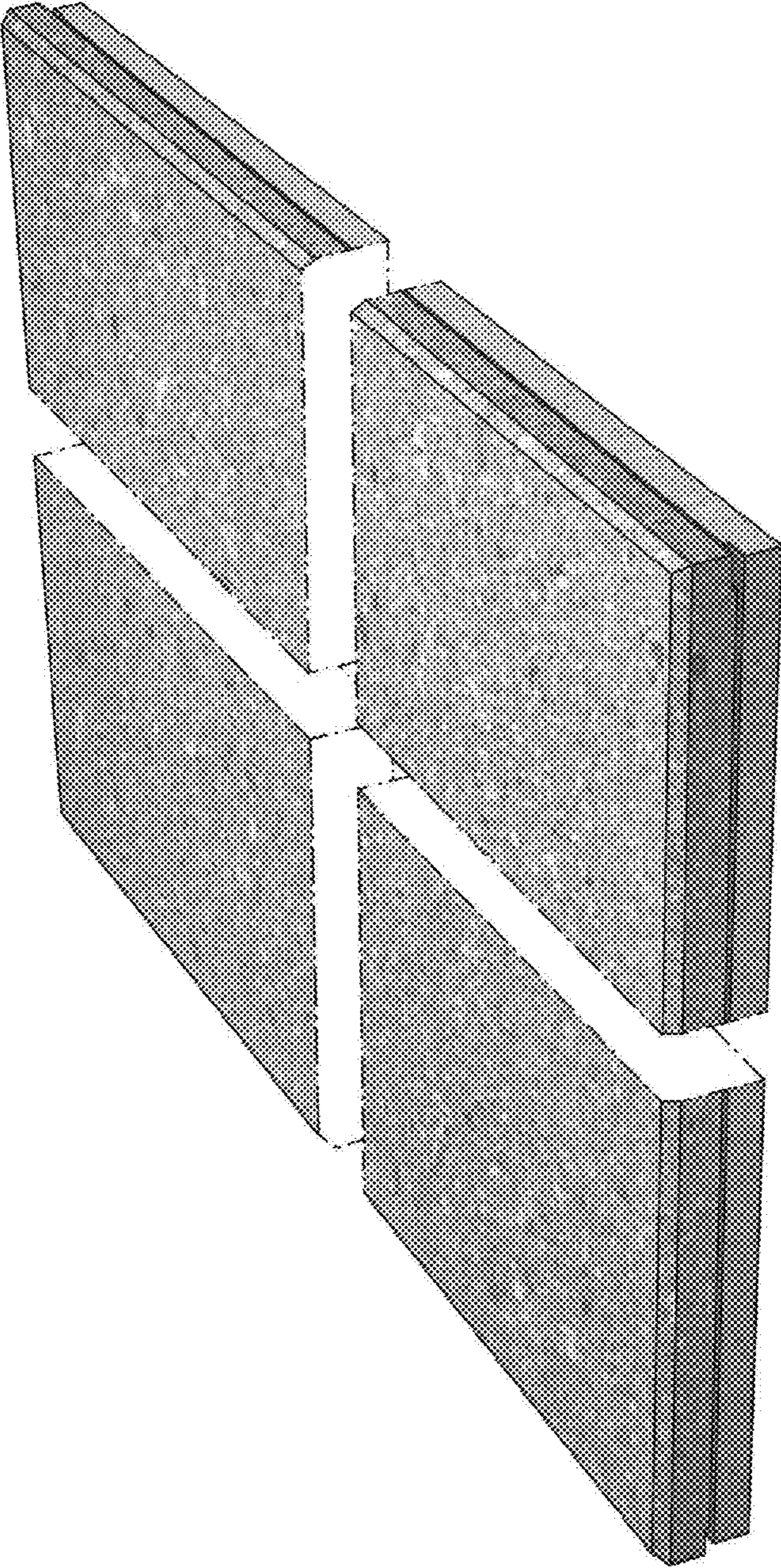


Fig. 6

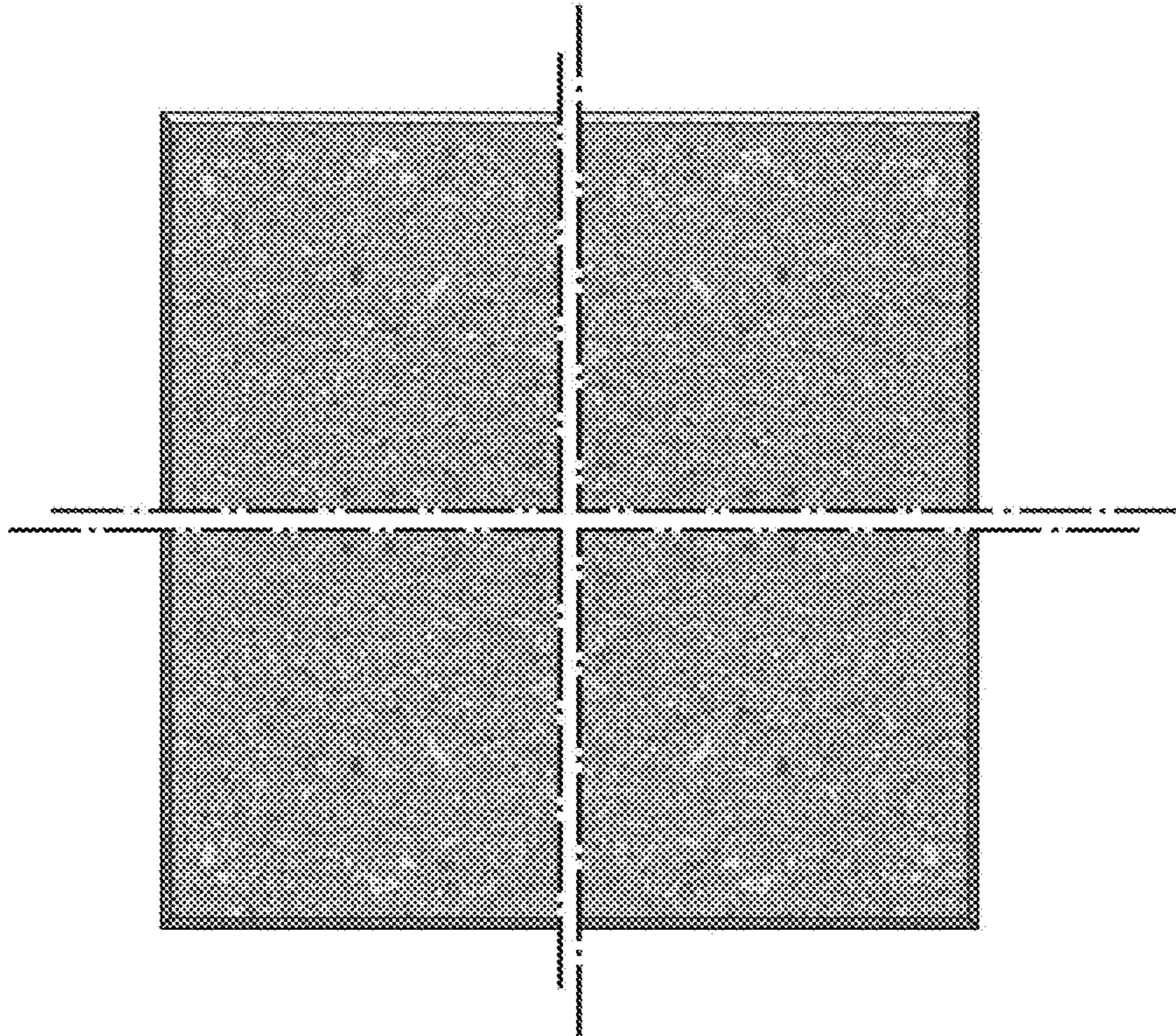




Fig. 7

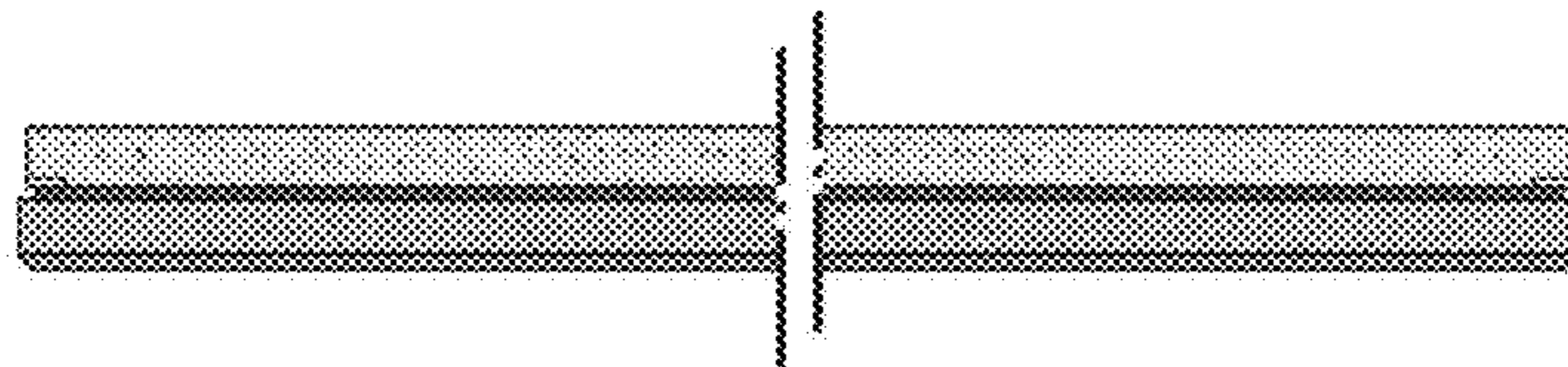


Fig. 8

