



US00D746485S

(12) **United States Design Patent**
Wirtz

(10) **Patent No.:** **US D746,485 S**
(45) **Date of Patent:** **** Dec. 29, 2015**

(54) **HANDICAP-FACILITATIVE STAIRS FOR AN
IN-GROUND STORM SHELTER**

(71) Applicant: **American Safety Shelter, LLC**, Tulsa,
OK (US)

(72) Inventor: **Jerry Wirtz**, Ponca City, OK (US)

(**) Term: **14 Years**

(21) Appl. No.: **29/491,341**

(22) Filed: **May 20, 2014**

(51) **LOC (10) Cl.** **25-04**

(52) **U.S. Cl.**
USPC **D25/63**

(58) **Field of Classification Search**

USPC D25/62, 63
CPC E04F 11/00; E04F 11/02; E04F 11/04;
E04H 9/12; E06C 9/00; E06C 9/02; E06C
7/183; E06C 7/182; E06C 7/181; A63B
27/00; A61H 3/00

See application file for complete search history.

(56) **References Cited**

U.S. PATENT DOCUMENTS

3,720,024 A * 3/1973 Theisen E04F 11/02
182/115
D481,467 S * 10/2003 Brice D25/63
D698,463 S * 1/2014 Porter D25/63
2008/0115429 A1 * 5/2008 Zirbel B28B 7/225
52/189
2013/0199874 A1 * 8/2013 Davis, Jr. E06C 7/188
182/107

* cited by examiner

Primary Examiner — Doris Clark

(74) *Attorney, Agent, or Firm* — Edward L. White

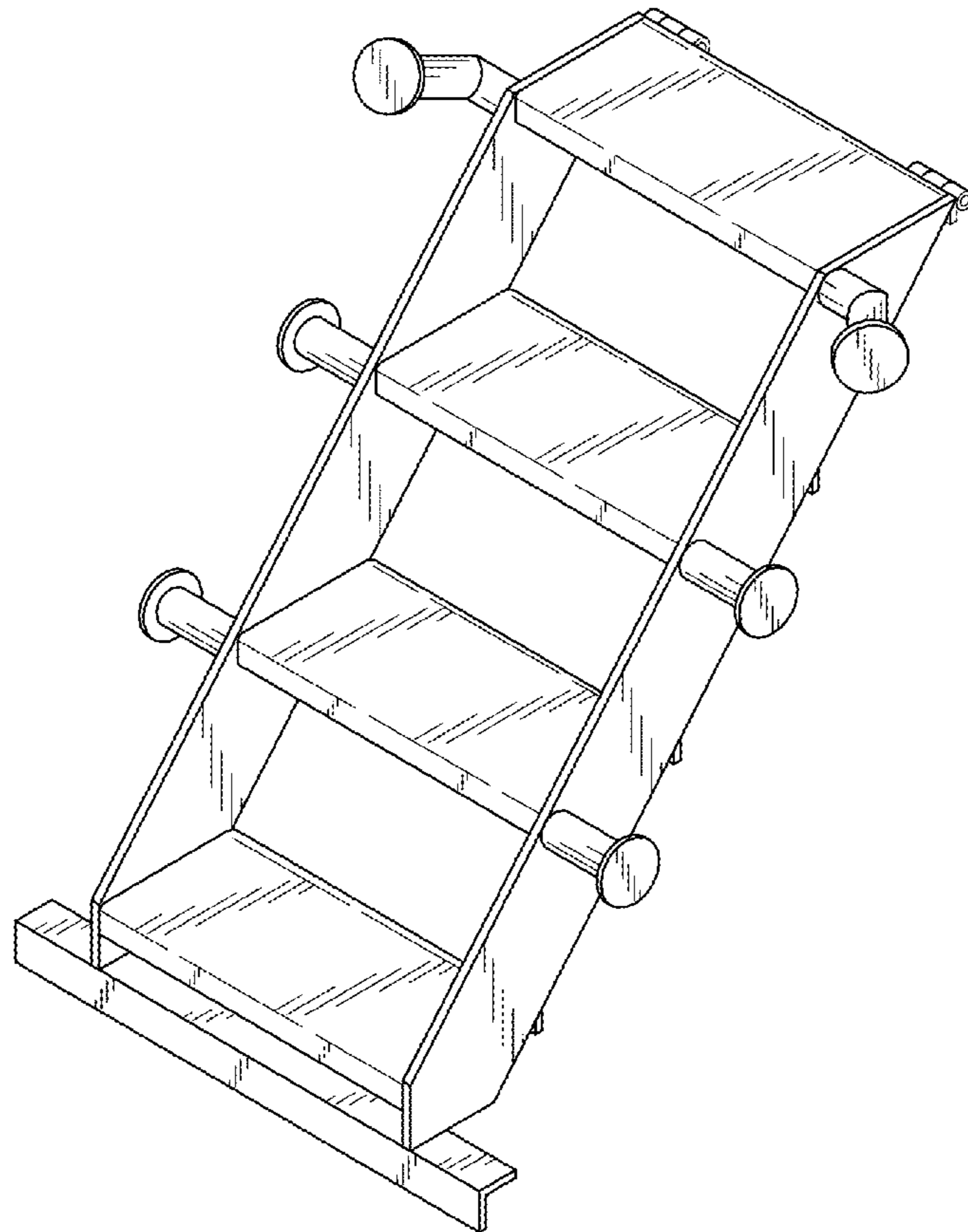
(57) **CLAIM**

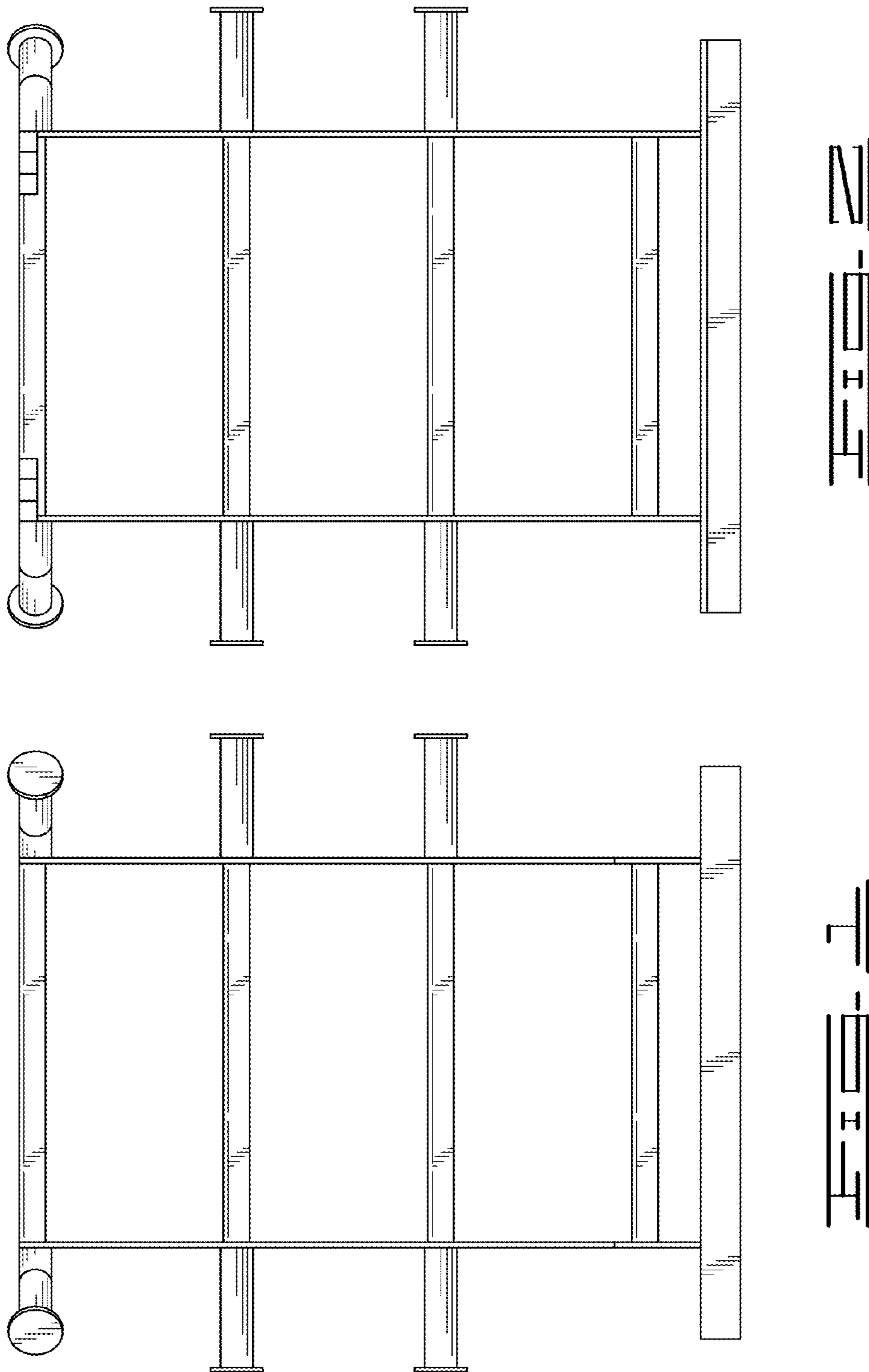
I claim the ornamental design for handicap-facilitative stairs
for an in-ground storm shelter, as shown.

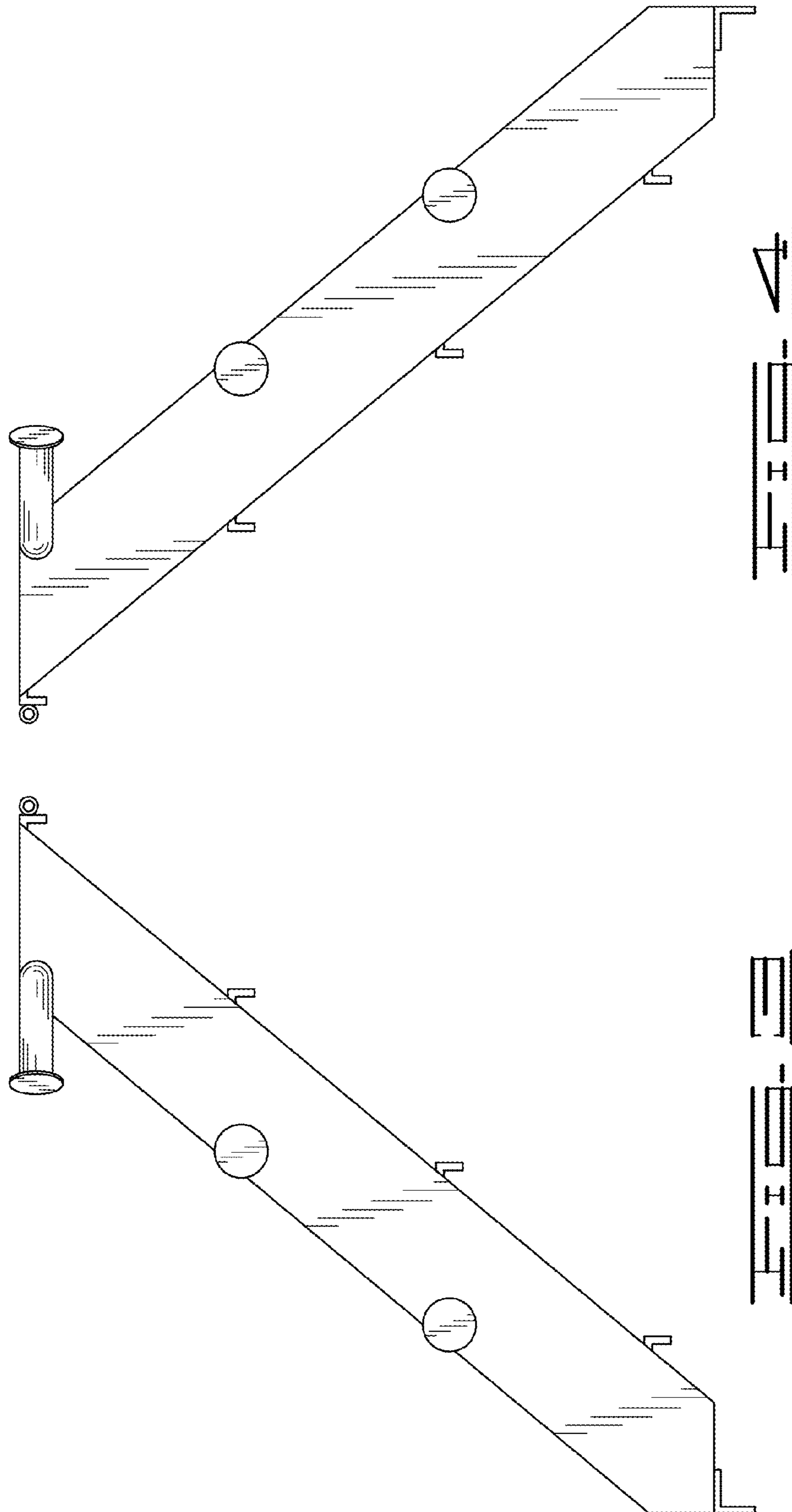
DESCRIPTION

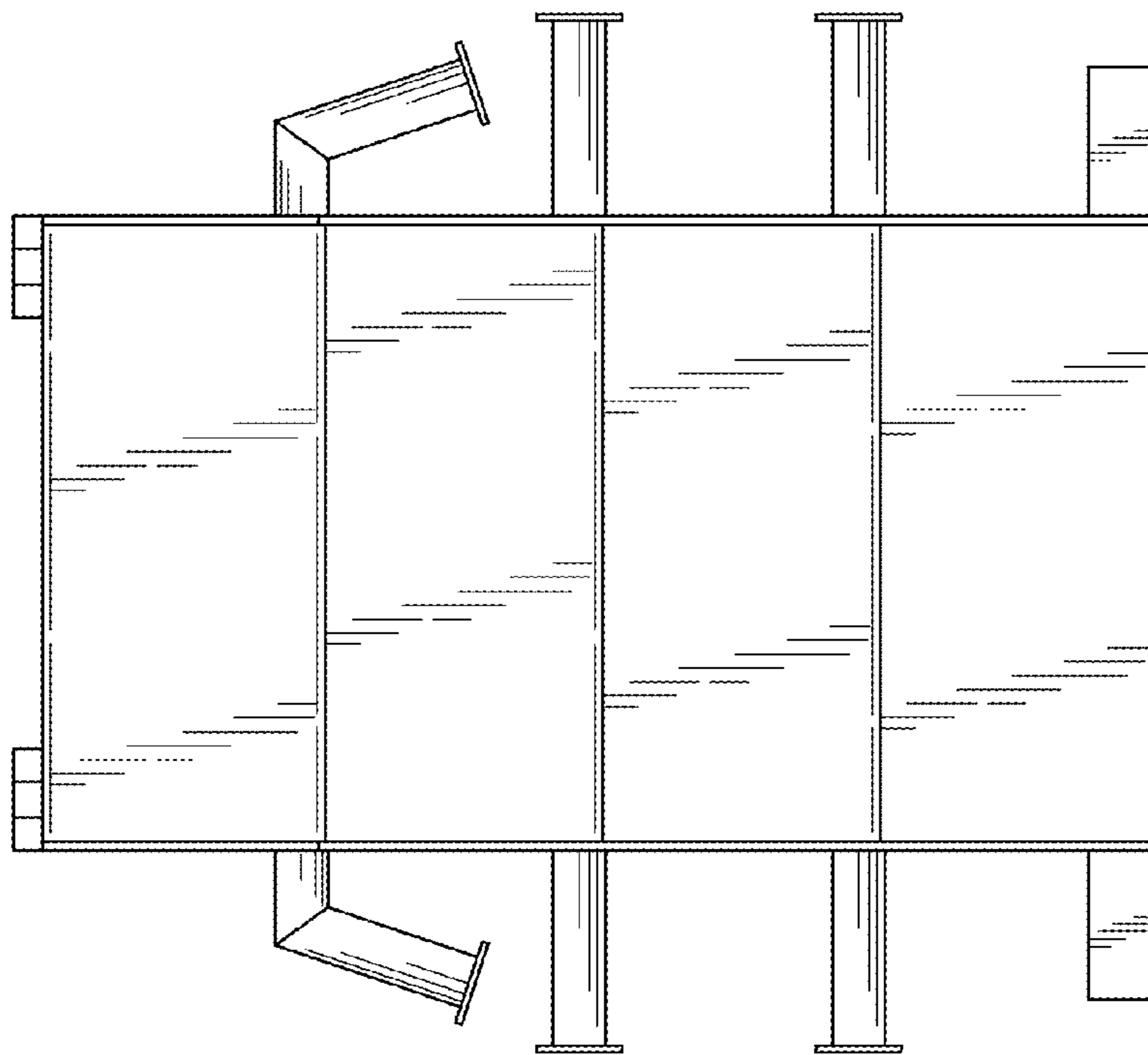
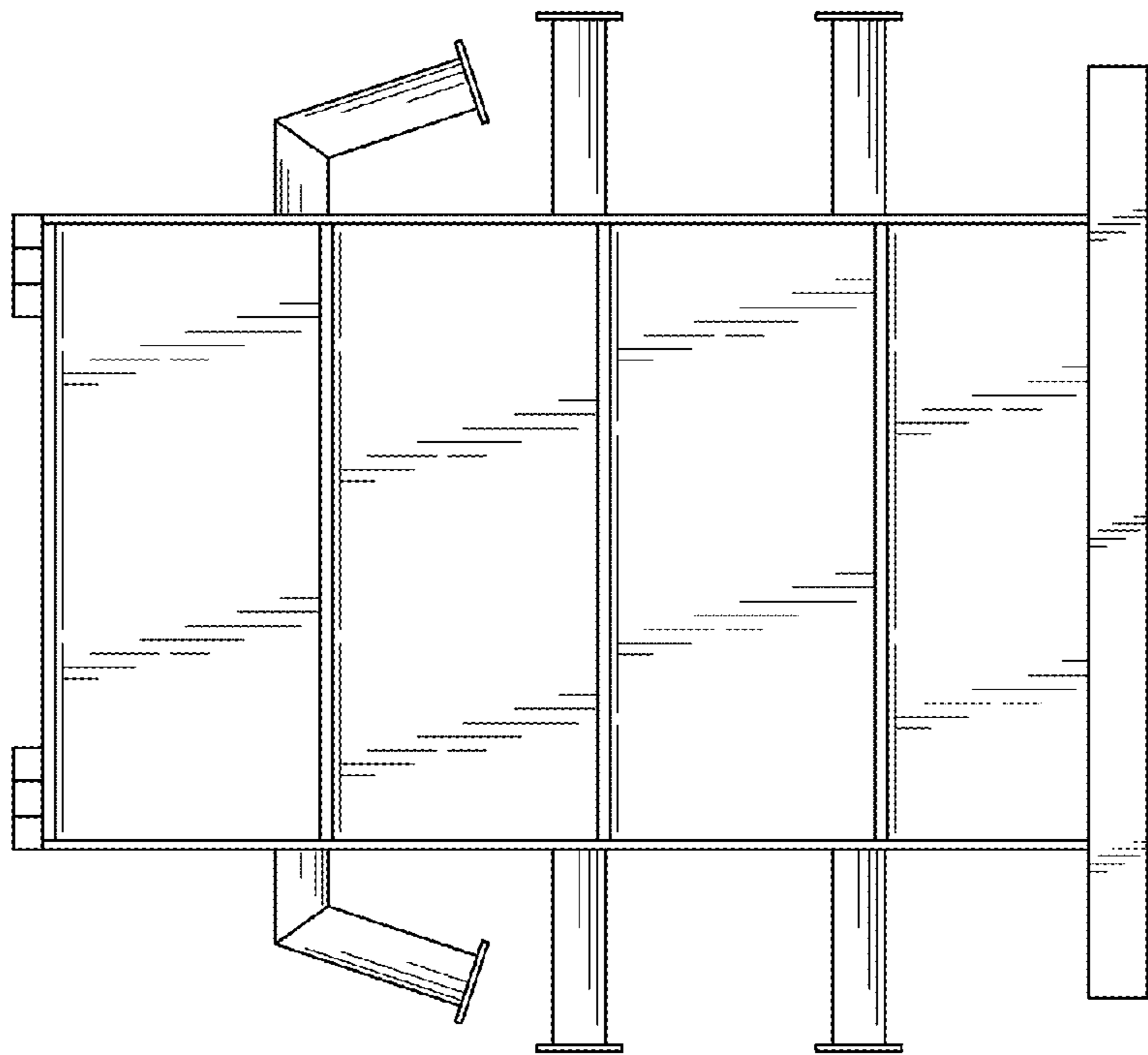
FIG. 1 is a front view thereof.
FIG. 2 is a back view thereof.
FIG. 3 is a first side view thereof.
FIG. 4 is a second side view thereof.
FIG. 5 is a top view thereof.
FIG. 6 is a bottom view thereof; and,
FIG. 7 is a perspective view thereof.

1 Claim, 4 Drawing Sheets









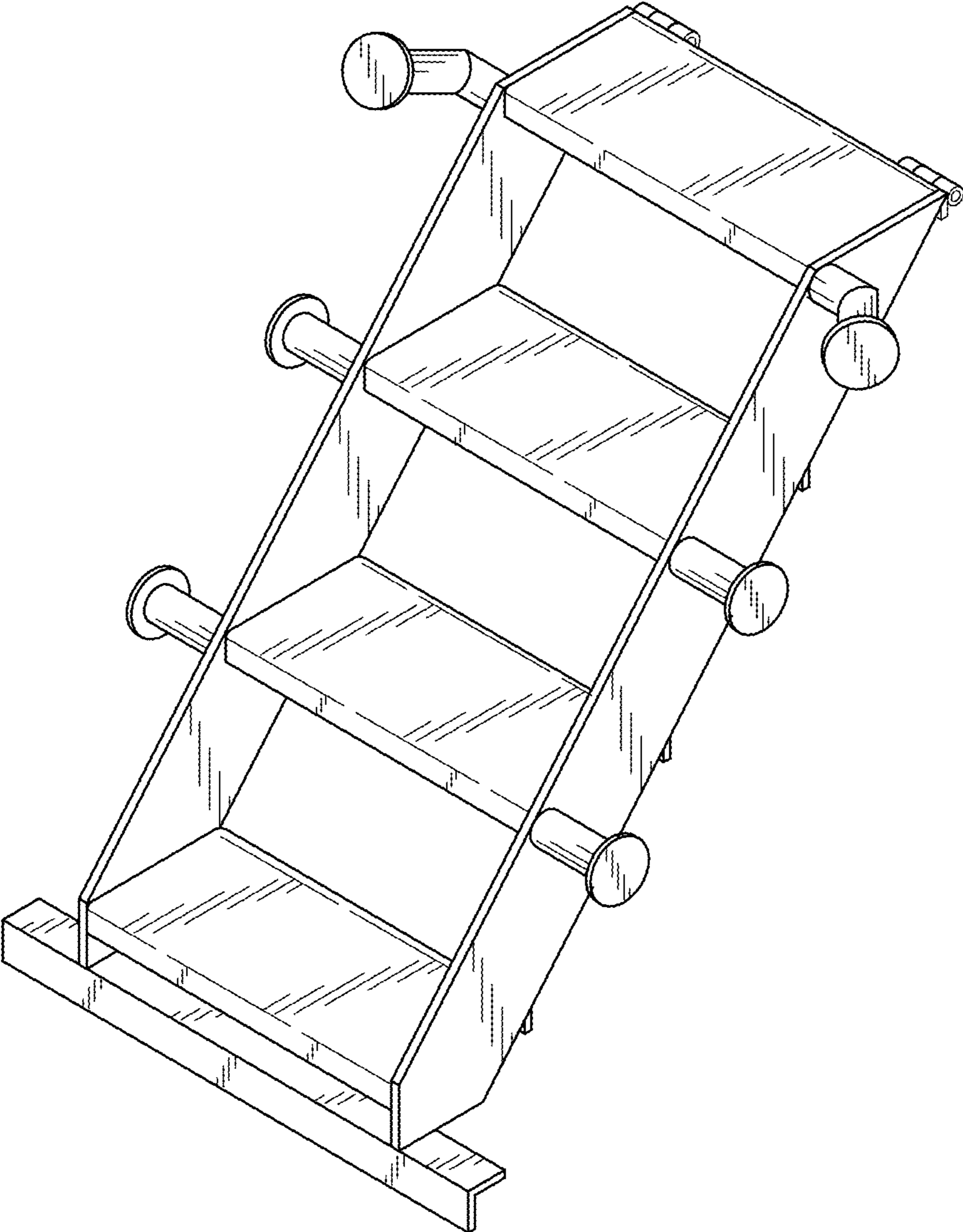


FIG. 7