



US00D746484S

(12) **United States Design Patent**
Nissenbaum

(10) **Patent No.:** **US D746,484 S**

(45) **Date of Patent:** **** Dec. 29, 2015**

(54) **TEMPORARY FENCE**

(71) Applicant: **D.C. Humphrys Co., Inc.**, Philadelphia, PA (US)

(72) Inventor: **Ronald B. Nissenbaum**, Haverford, PA (US)

(73) Assignee: **D.C. Humphrys Co., Inc.**, Philadelphia, PA (US)

(**) Term: **14 Years**

(21) Appl. No.: **29/470,266**

(22) Filed: **Oct. 18, 2013**

(51) **LOC (10) Cl.** **25-02**

(52) **U.S. Cl.**
USPC **D25/38.1**

(58) **Field of Classification Search**
USPC D25/38.1
CPC E04H 17/00; E04H 17/02; E04H 17/14
See application file for complete search history.

(56) **References Cited**

U.S. PATENT DOCUMENTS

| | | | |
|-----------|----|---------|----------------|
| 3,273,862 | A | 9/1966 | Miller |
| 5,180,143 | A | 1/1993 | Brower |
| D358,896 | S | 5/1995 | Thompson |
| 5,647,166 | A | 7/1997 | Neff |
| 5,975,501 | A | 11/1999 | Berg et al. |
| 6,149,135 | A | 11/2000 | Hlavin |
| 6,176,471 | B1 | 1/2001 | Naegele et al. |
| 6,296,233 | B1 | 10/2001 | Berg et al. |
| 6,353,187 | B1 | 3/2002 | Wilson, Jr. |
| 7,562,453 | B1 | 7/2009 | Benner et al. |

| | | | | |
|--------------|----|---------|-----------------|-------------------------|
| D635,275 | S | 3/2011 | Nissenbaum | |
| D717,471 | S | * | 11/2014 | Donnelly D25/38.1 |
| 2004/0245512 | A1 | 12/2004 | Naegele | |
| 2005/0116213 | A1 | 6/2005 | Dahowski et al. | |
| 2006/0133900 | A1 | 6/2006 | Singleton | |
| 2007/0138456 | A1 | 6/2007 | Clark | |
| 2007/0170411 | A1 | 7/2007 | Ribak | |
| 2007/0272909 | A1 | 11/2007 | Payne | |
| 2008/0011993 | A1 | 1/2008 | Sadinsky | |
| 2008/0230758 | A1 | 9/2008 | Reinert | |
| 2008/0315169 | A1 | 12/2008 | McNeill | |

* cited by examiner

Primary Examiner — Doris Clark

(74) *Attorney, Agent, or Firm* — Panitch Schwarze Belisario & Nadel LLP

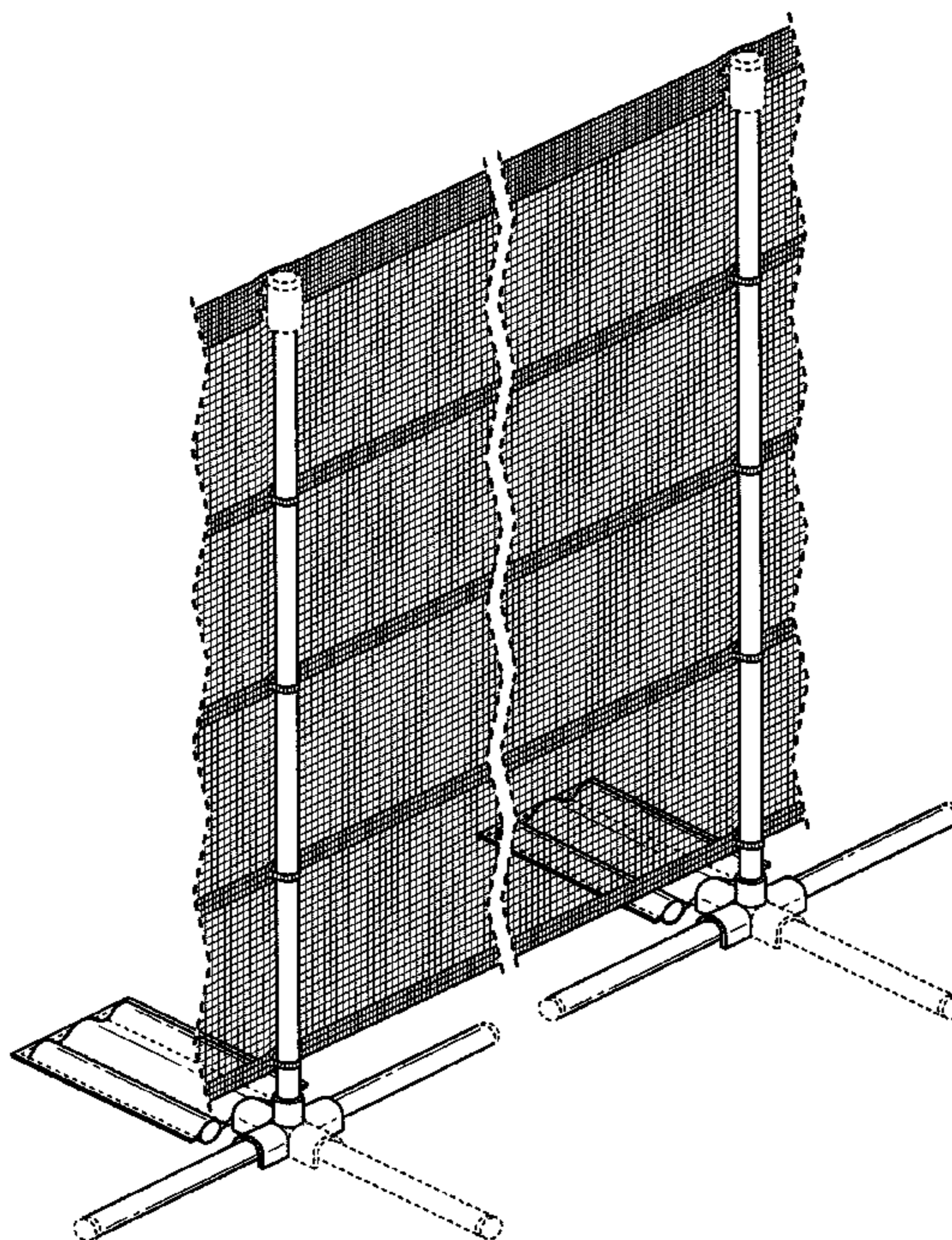
(57) **CLAIM**

The ornamental design for a temporary fence, as shown and described.

DESCRIPTION

FIG. 1 is a top right perspective view of a temporary fence in accordance with my design;
FIG. 2 is a front elevation view thereof;
FIG. 3 is a rear elevation view thereof;
FIG. 4 is a right elevation view thereof;
FIG. 5 is a left elevation view thereof;
FIG. 6 is a top plan view thereof; and,
FIG. 7 is a bottom plan view thereof.
The broken lines in the figures are to illustrate environmental structure only and form no part of the claimed design.
The temporary fence is broken either in the middle or on both sides for ease of illustration.

1 Claim, 6 Drawing Sheets



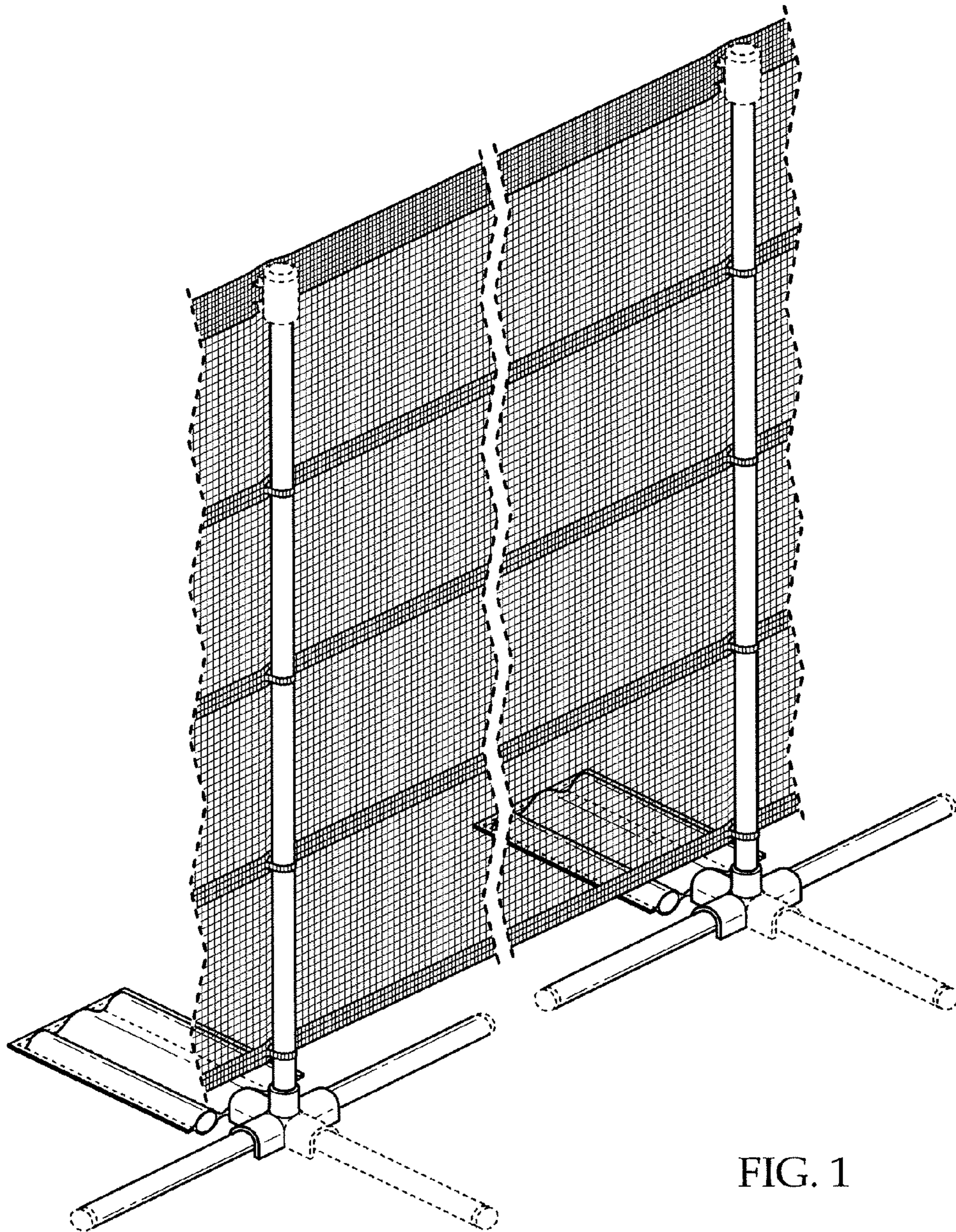


FIG. 1

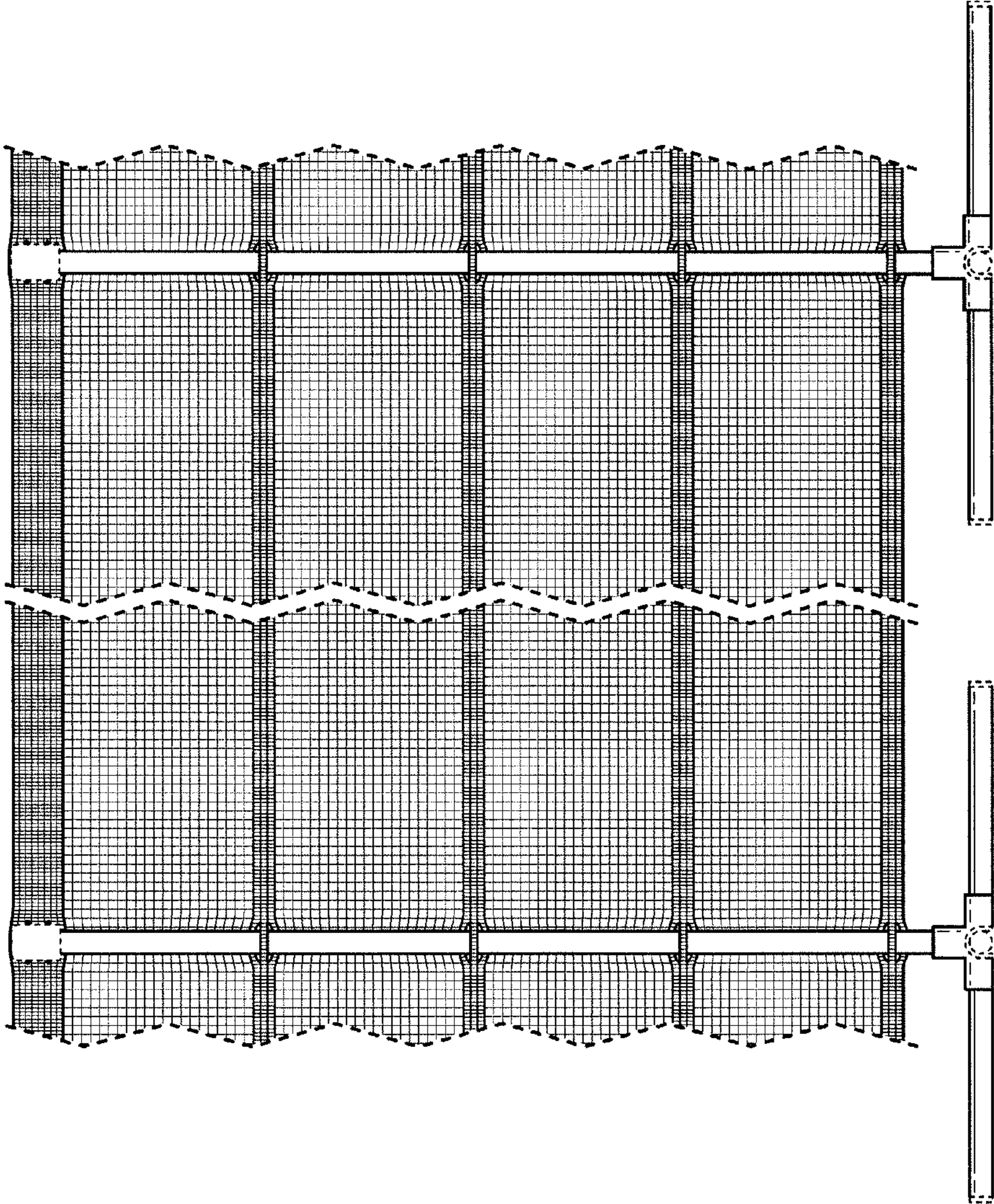


FIG. 2

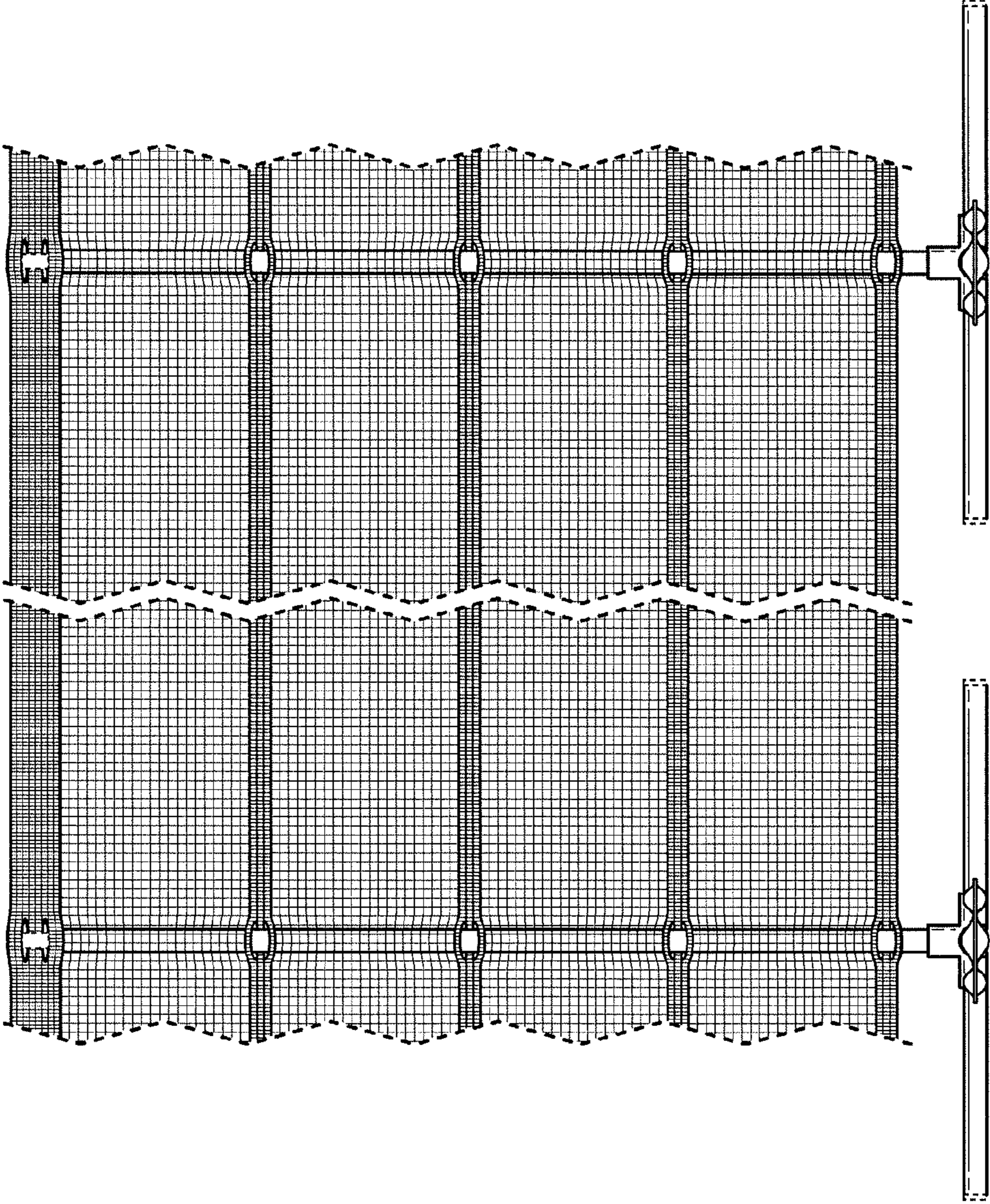


FIG. 3

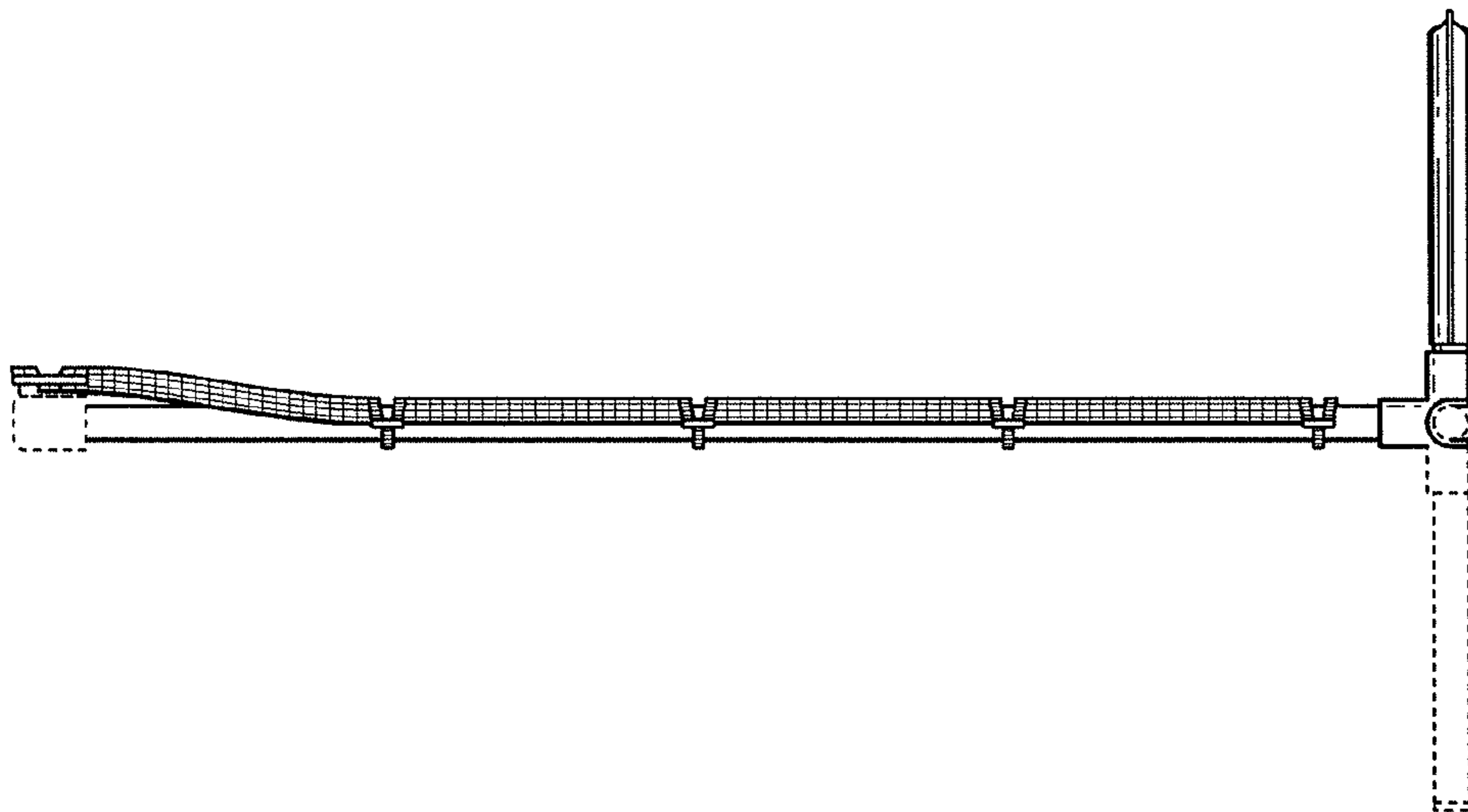


FIG. 5

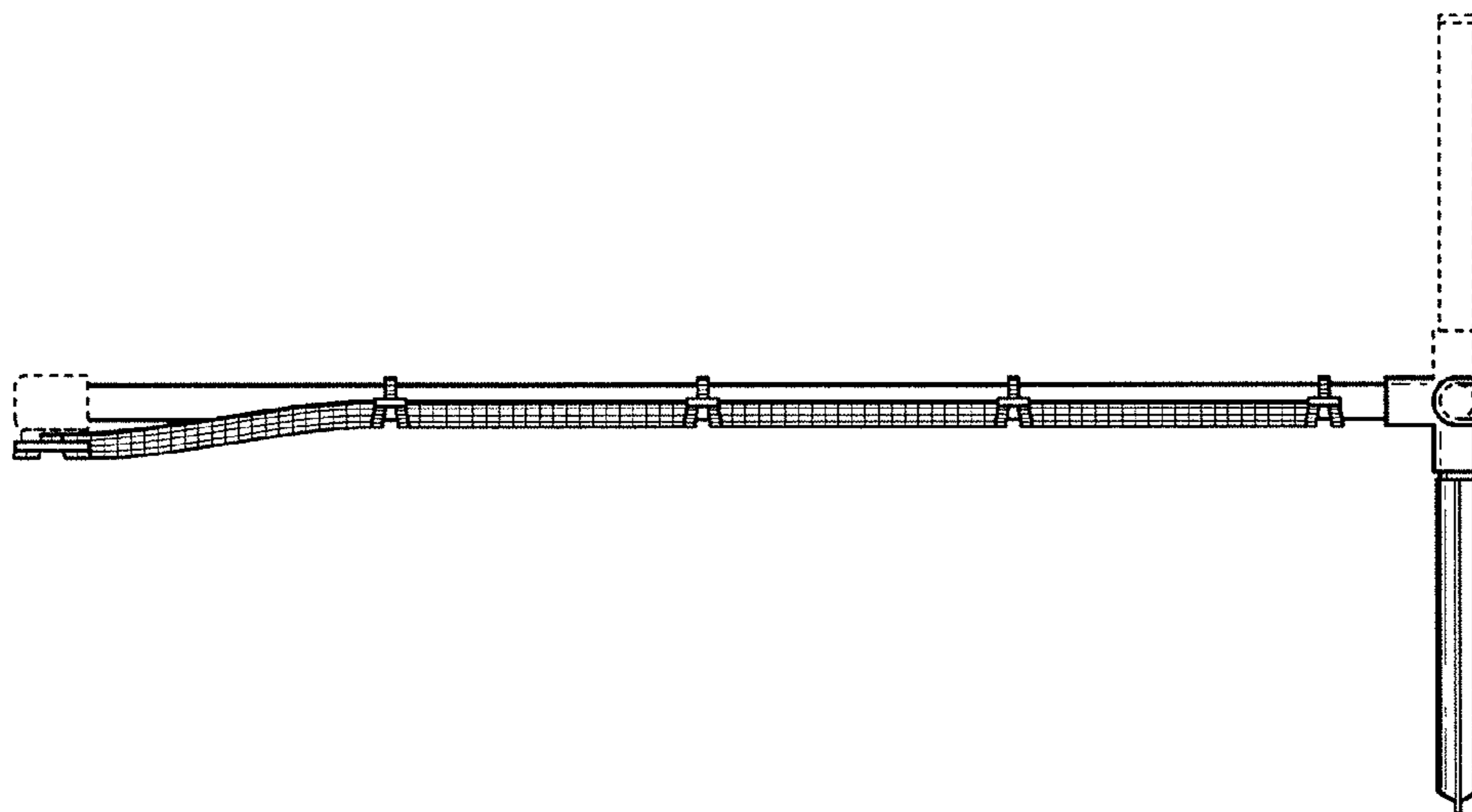


FIG. 4

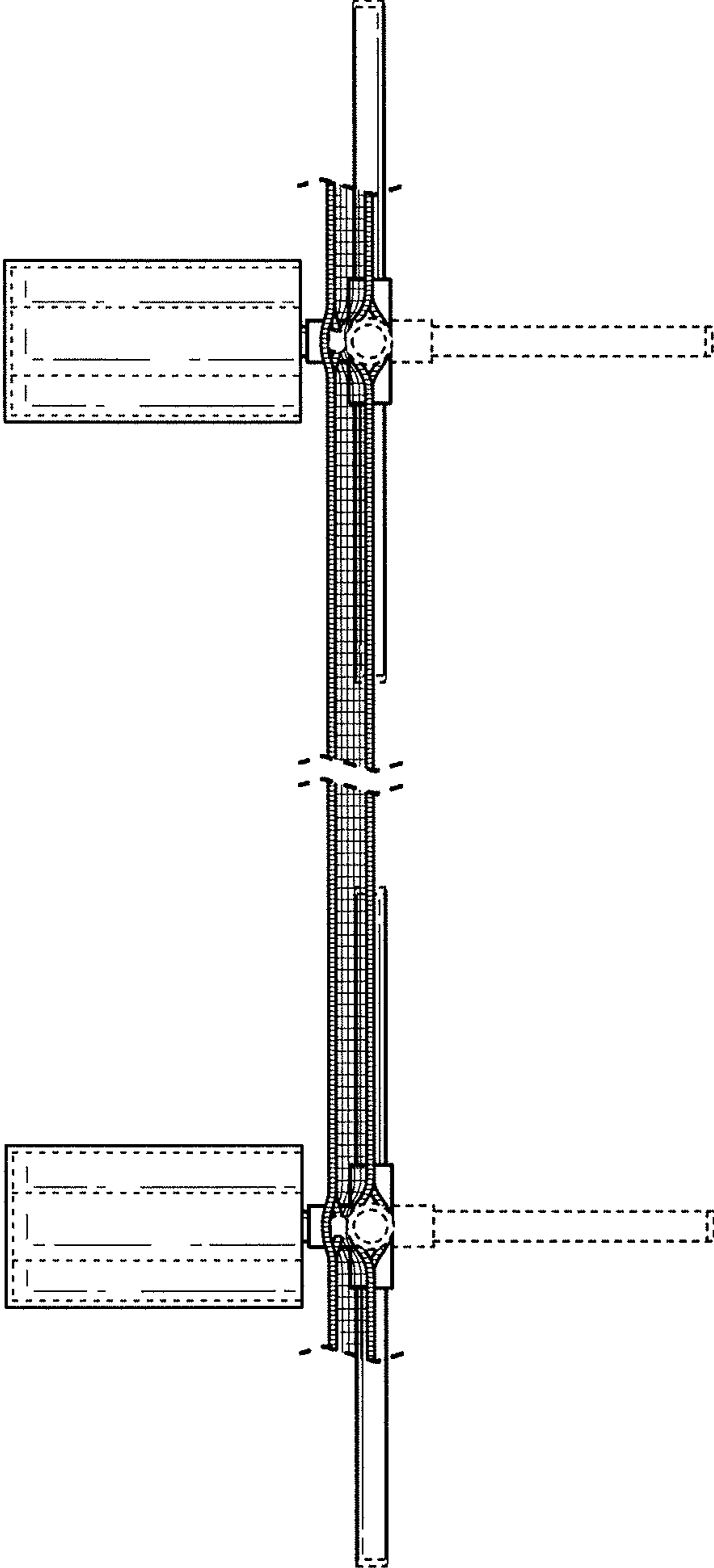


FIG. 6

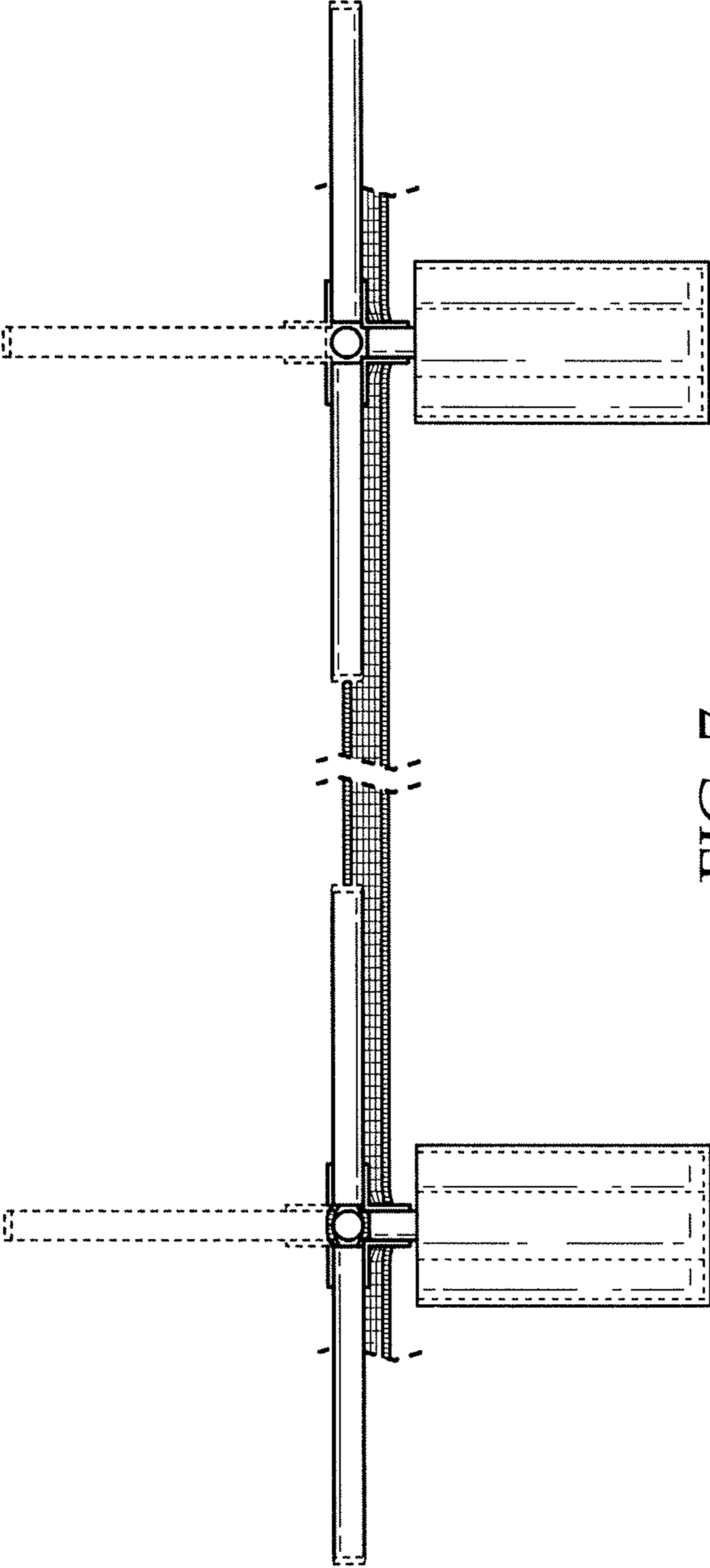


FIG. 7