



US00D746480S

(12) **United States Design Patent**  
**Usui**

(10) **Patent No.:** **US D746,480 S**

(45) **Date of Patent:** **\*\* Dec. 29, 2015**

- (54) **CHEMICAL BODY WARMER**
- (71) Applicant: **Mycoal Co., Ltd.**, Tochigi-shi (JP)
- (72) Inventor: **Yasumasa Usui**, Tochigi (JP)
- (73) Assignee: **Mycoal Co., Ltd.**, Tochigi-shi (JP)
- (\*\*) Term: **14 Years**
- (21) Appl. No.: **29/448,712**

D655,821 S *	3/2012	Matsuo .....	D24/206
D669,994 S *	10/2012	Bembridge .....	D24/200
D670,816 S *	11/2012	Suzuki et al. ....	D24/206
D683,040 S *	5/2013	Arsenault et al. ....	D24/206
D685,489 S *	7/2013	Nishioka et al. ....	D24/206

\* cited by examiner

*Primary Examiner* — Karen E Kearney

*Assistant Examiner* — John Reickel

(74) *Attorney, Agent, or Firm* — Locke Lord LLP

- (22) Filed: **Mar. 13, 2013**
- (30) **Foreign Application Priority Data**

Oct. 12, 2012	(JP) .....	2012-024827
Oct. 12, 2012	(JP) .....	2012-024828

- (51) **LOC (10) Cl.** ..... **24-04**
- (52) **U.S. Cl.**  
USPC ..... **D24/206**
- (58) **Field of Classification Search**  
USPC ..... D24/128, 188, 200, 201, 206, 207, 216,  
D24/224, 227, 229, 230; D9/400-433,  
D9/500-502, 737; D3/205, 299; 128/95.1,  
128/96.1, 99.1, 845-846; 602/19, 21  
See application file for complete search history.

(56) **References Cited**

**U.S. PATENT DOCUMENTS**

D167,743 S *	9/1952	Dorfman .....	D24/207
D327,329 S *	6/1992	Hubbard et al. ....	D24/207
D420,452 S *	2/2000	Cardy .....	D24/225
D432,240 S *	10/2000	Katz et al. ....	D24/200
D556,333 S *	11/2007	Hoffman et al. ....	D24/206
D574,962 S *	8/2008	Atkins et al. ....	D24/189
D582,047 S *	12/2008	Yim .....	D24/206
D587,811 S *	3/2009	Uchiyama et al. ....	D24/206
D609,357 S *	2/2010	Yim .....	D24/206

(57) **CLAIM**

The ornamental design for chemical body warmer, as shown and described.

**DESCRIPTION**

FIG. 1 is a front perspective view of the chemical body warmer of a first embodiment of the present invention; FIG. 2 is a front elevation view thereof; FIG. 3 is a rear elevation view thereof; FIG. 4 is a right side elevation view thereof, the left side view being a mirror image thereof; FIG. 5 is a top plan view thereof, the bottom view being a mirror image thereof; FIG. 6 is a front perspective view of the chemical body warmer of a second embodiment of the present invention; FIG. 7 is a front elevation view thereof; FIG. 8 is a rear elevation view thereof; FIG. 9 is a right side elevation view thereof, the left side view being a mirror image thereof; and, FIG. 10 is a top plan view thereof, the bottom view being a mirror image thereof.

The broken lines shown in the drawings represent unclaimed portions of the chemical body warmer and form no part of the claimed design.

**1 Claim, 10 Drawing Sheets**

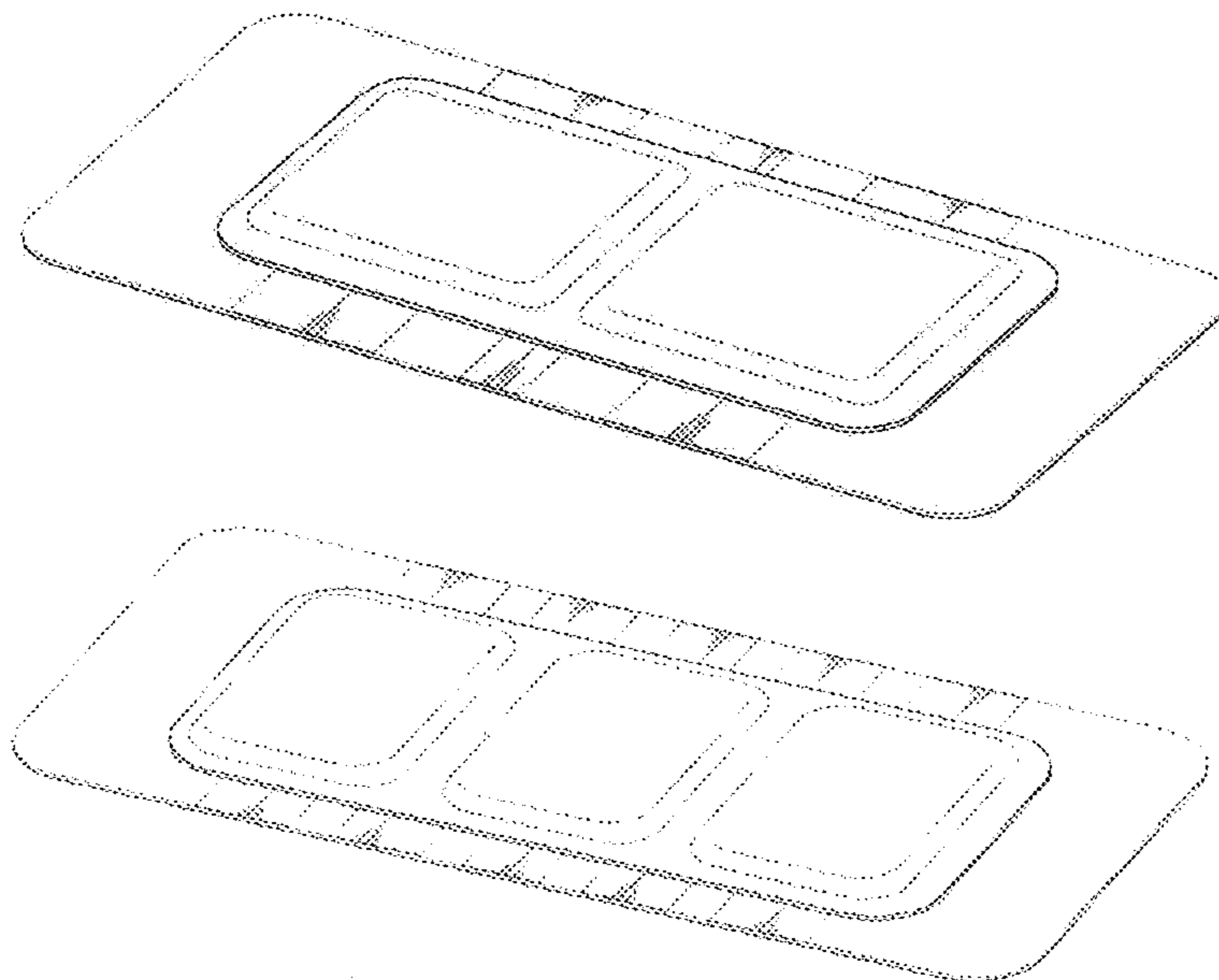


Fig. 1

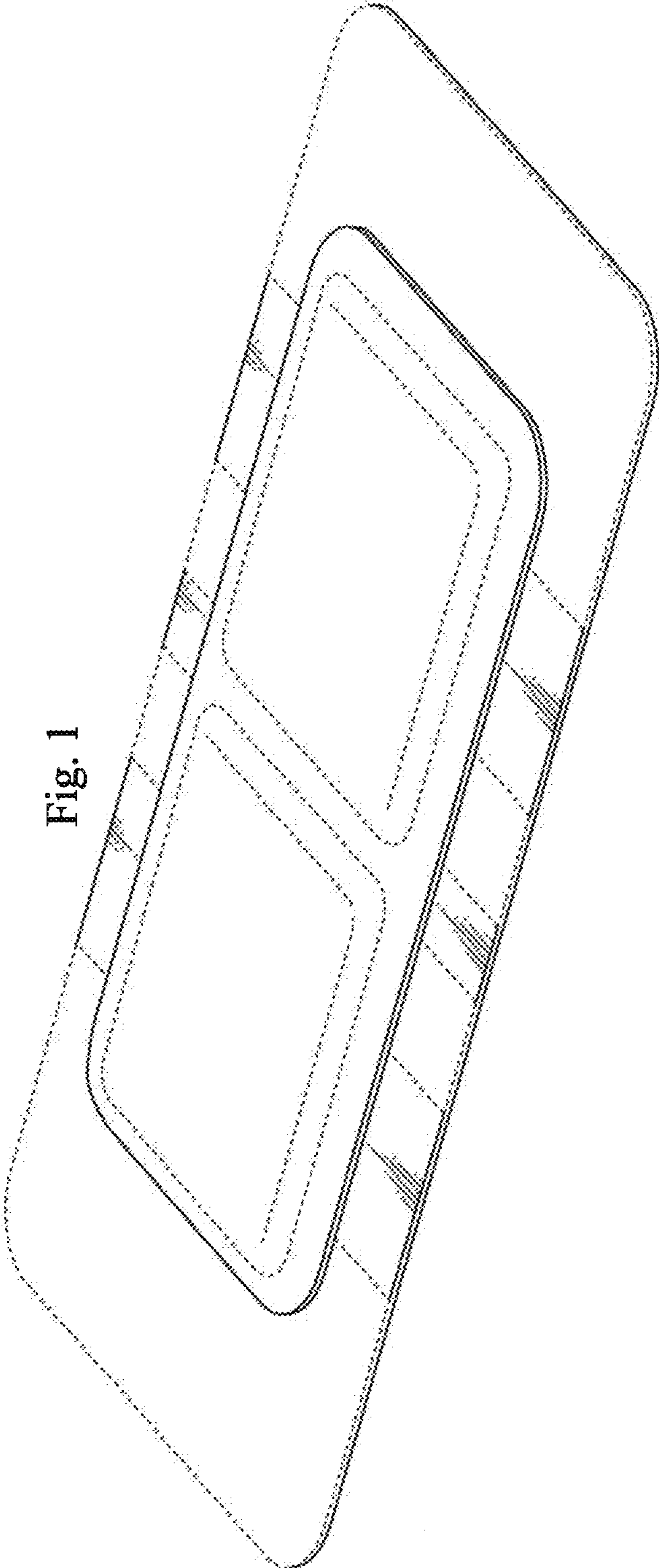
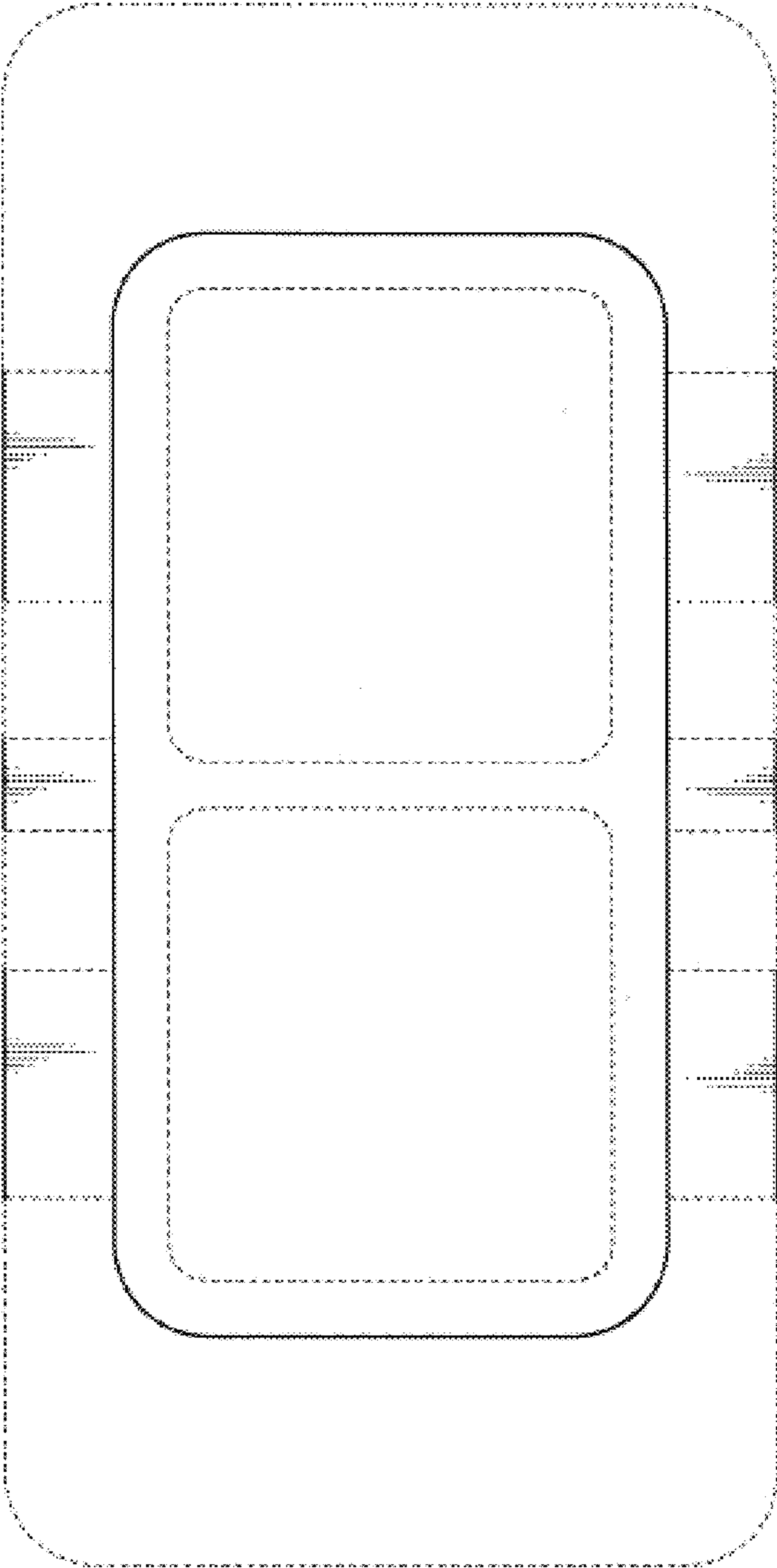


Fig. 2



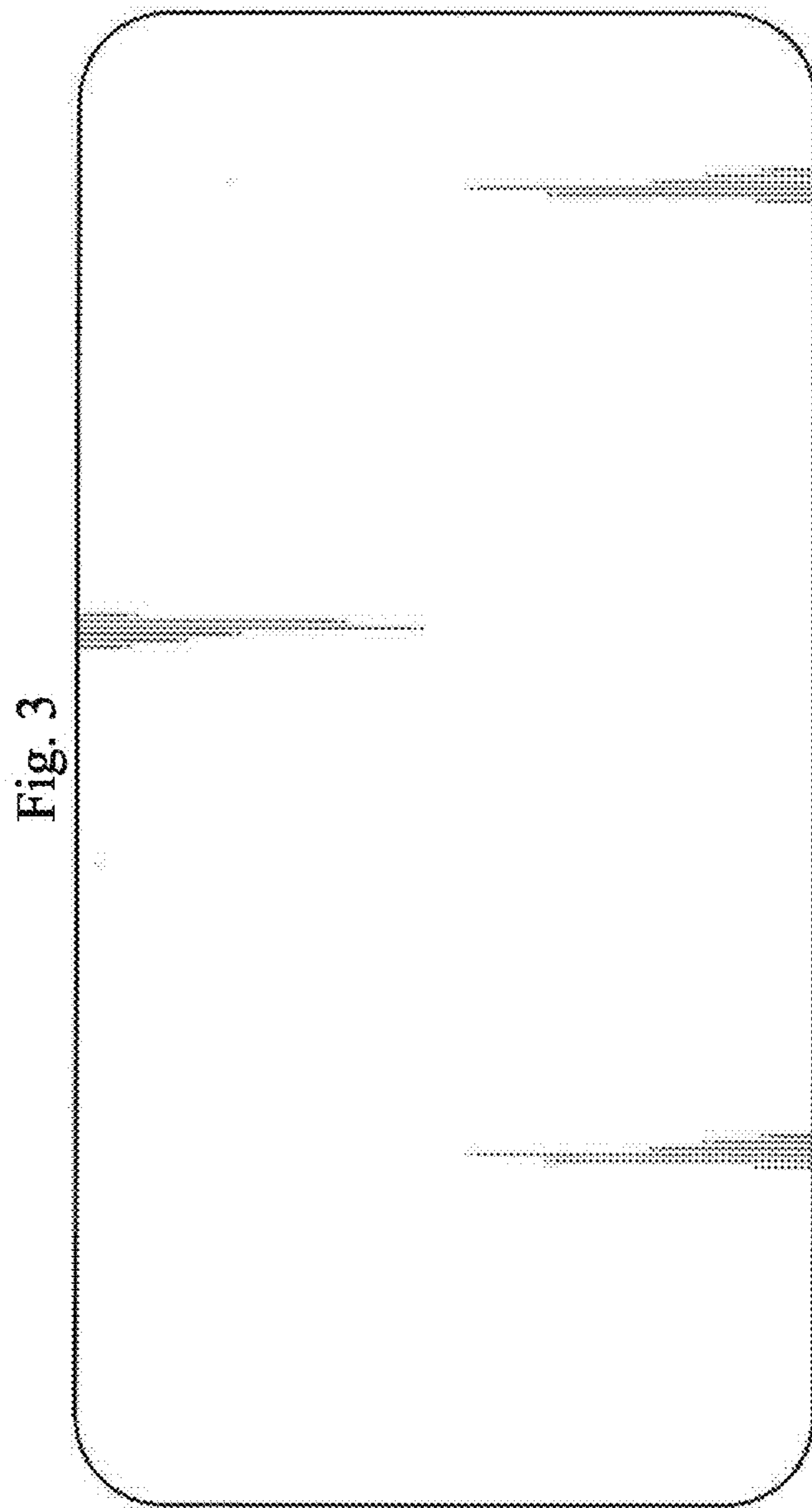


Fig. 4

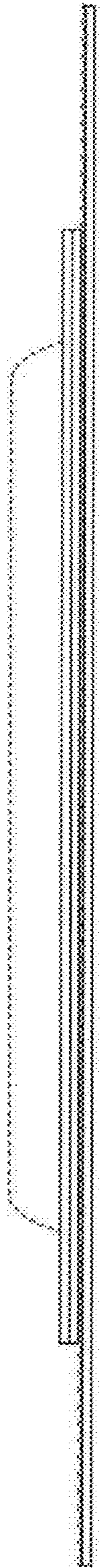


Fig. 5



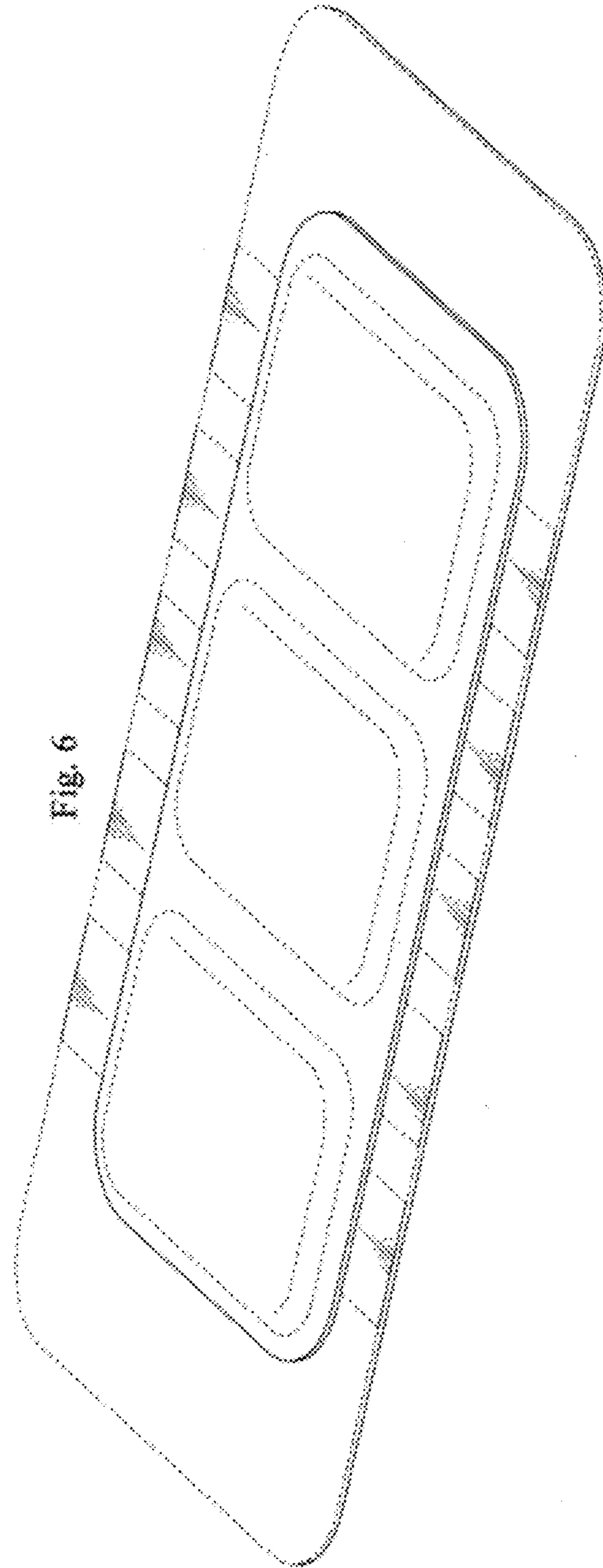
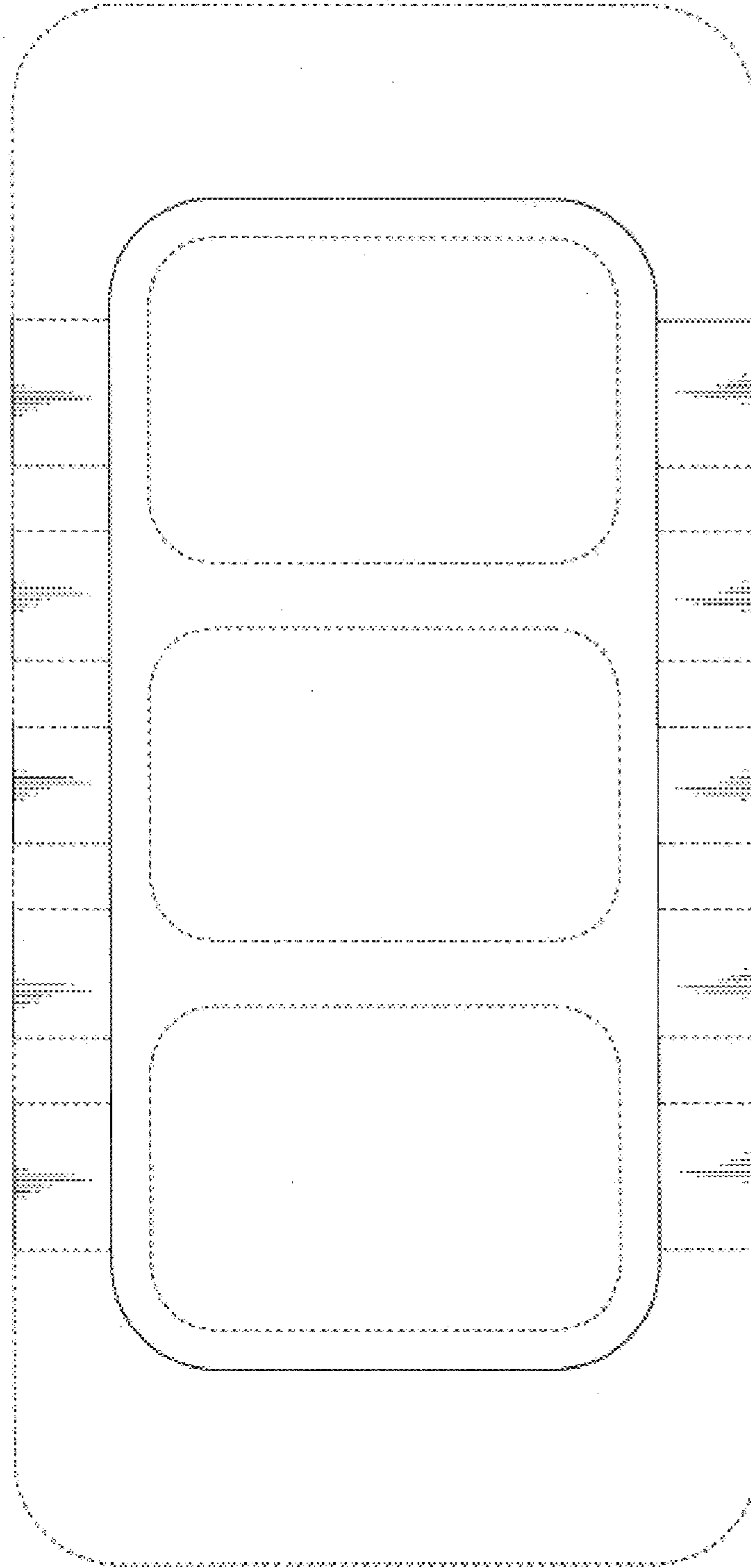


Fig. 6

Fig. 7





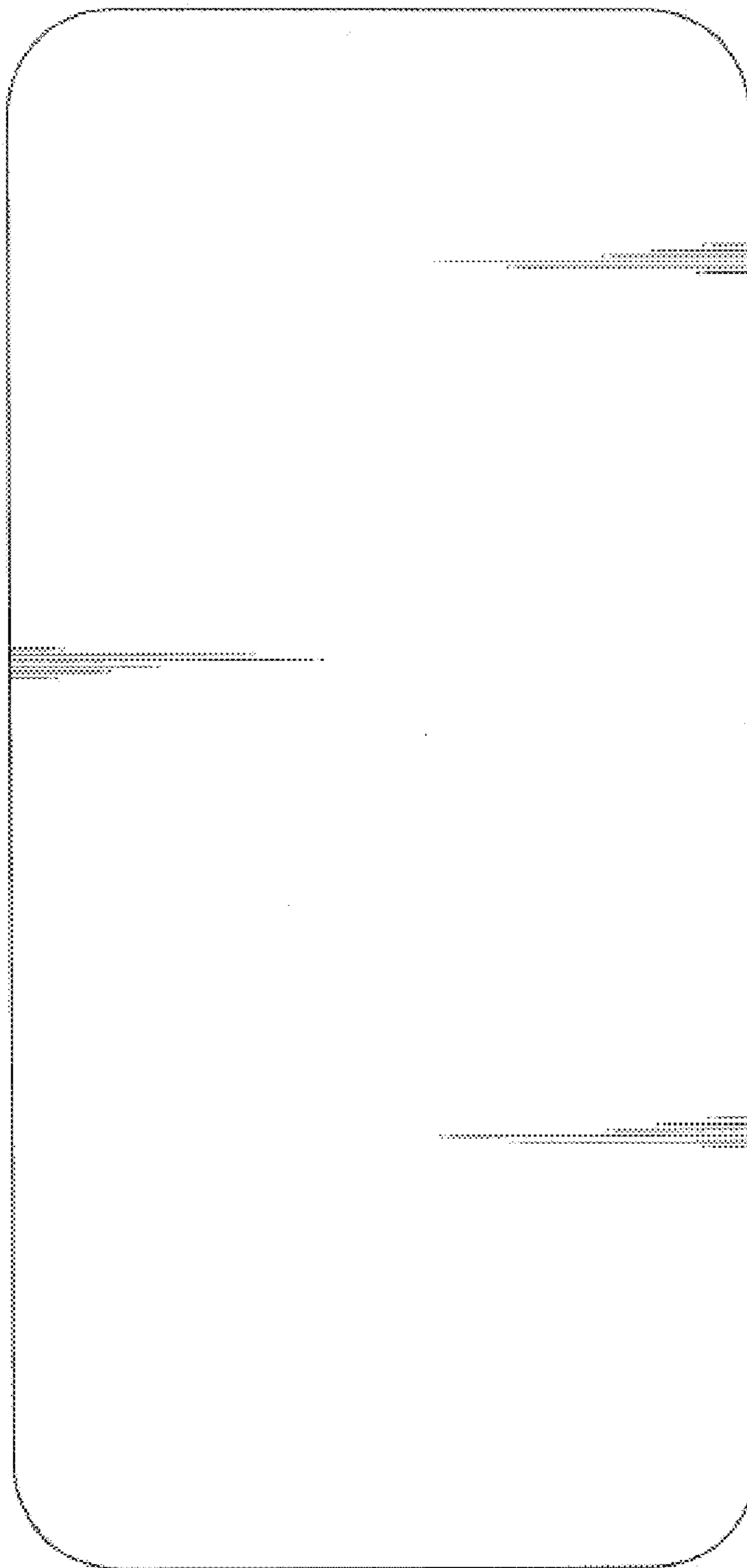


Fig. 8

Fig. 9

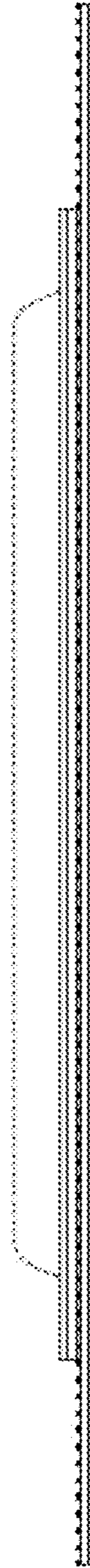


Fig. 10

