



US00D746475S

(12) **United States Design Patent**  
**Mongin et al.**

(10) **Patent No.:** **US D746,475 S**

(45) **Date of Patent:** **\*\* Dec. 29, 2015**

(54) **MOBILE CART**

(56) **References Cited**

(71) Applicant: **Guided Therapeutics, Inc.**, Norcross, GA (US)

U.S. PATENT DOCUMENTS

(72) Inventors: **David Mongin**, Atlanta, GA (US);  
**David Farquhar**, Commerce, GA (US);  
**William W. Wells**, Lawrenceville, GA (US);  
**Rick Fowler**, Dacula, GA (US);  
**Jeff Allen**, Duluth, GA (US); **Devin Lee Moore**, Decatur, GA (US); **Brian Andrew Wong-Shui**, Atlanta, GA (US);  
**Jesse Marie Newton**, Dunwoody, GA (US)

D188,518 S *	8/1960	Cleek .....	D10/114.9
D316,376 S *	4/1991	Dubut .....	D10/60
D406,893 S	3/1999	Menhennett et al.	
D407,498 S *	3/1999	Cooper .....	D24/215
D444,091 S *	6/2001	Furmidge .....	D10/99
D453,376 S *	2/2002	McMahon et al. ....	D24/108
D460,370 S *	7/2002	Price et al. ....	D10/78
D493,113 S *	7/2004	Shambaugh et al. ....	D10/78
D512,508 S	12/2005	Mesaros	
7,044,568 B2	5/2006	Olivera et al.	
D522,893 S *	6/2006	Finney et al. ....	D10/81
D543,621 S *	5/2007	Khalaj .....	D24/112
D601,709 S *	10/2009	Roberts .....	D24/215
D612,561 S	3/2010	Hunter et al.	
D627,079 S *	11/2010	Robertson .....	D24/214
D648,855 S	11/2011	Smith et al.	
D650,482 S	12/2011	Kim et al.	
D658,766 S	5/2012	Otoha et al.	
D662,208 S	6/2012	Otoha et al.	
D668,567 S *	10/2012	Dunkin et al. ....	D10/78
D678,512 S *	3/2013	Bow .....	D24/112
D680,650 S	4/2013	Muraoka et al.	
2009/0015116 A1	1/2009	Arceta et al.	

(73) Assignee: **Guided Therapeutics, Inc.**, Norcross, GA (US)

(\*\*) Term: **14 Years**

(21) Appl. No.: **29/499,790**

(22) Filed: **Aug. 19, 2014**

\* cited by examiner

*Primary Examiner* — Holly Baynham

*Assistant Examiner* — Rhea Shields

(74) *Attorney, Agent, or Firm* — Altera Law Group, LLC

**Related U.S. Application Data**

(62) Division of application No. 29/430,814, filed on Aug. 30, 2012, now Pat. No. Des. 714,453.

(51) **LOC (10) Cl.** ..... **24-00**

(52) **U.S. Cl.**  
USPC ..... **D24/185**

(58) **Field of Classification Search**  
USPC ..... D24/112, 127, 133, 184, 185, 186, 144,  
D24/160, 167-169, 172, 200, 214, 215, 231,  
D24/158, 164; D34/12, 14; 312/22, 109,  
312/209, 223.1, 286, 249.8, 249.12;  
248/282.1; 600/437, 443, 459; D10/46,  
D10/46.1, 64, 78, 80, 85, 94, 103, 114.9,  
D10/121

See application file for complete search history.

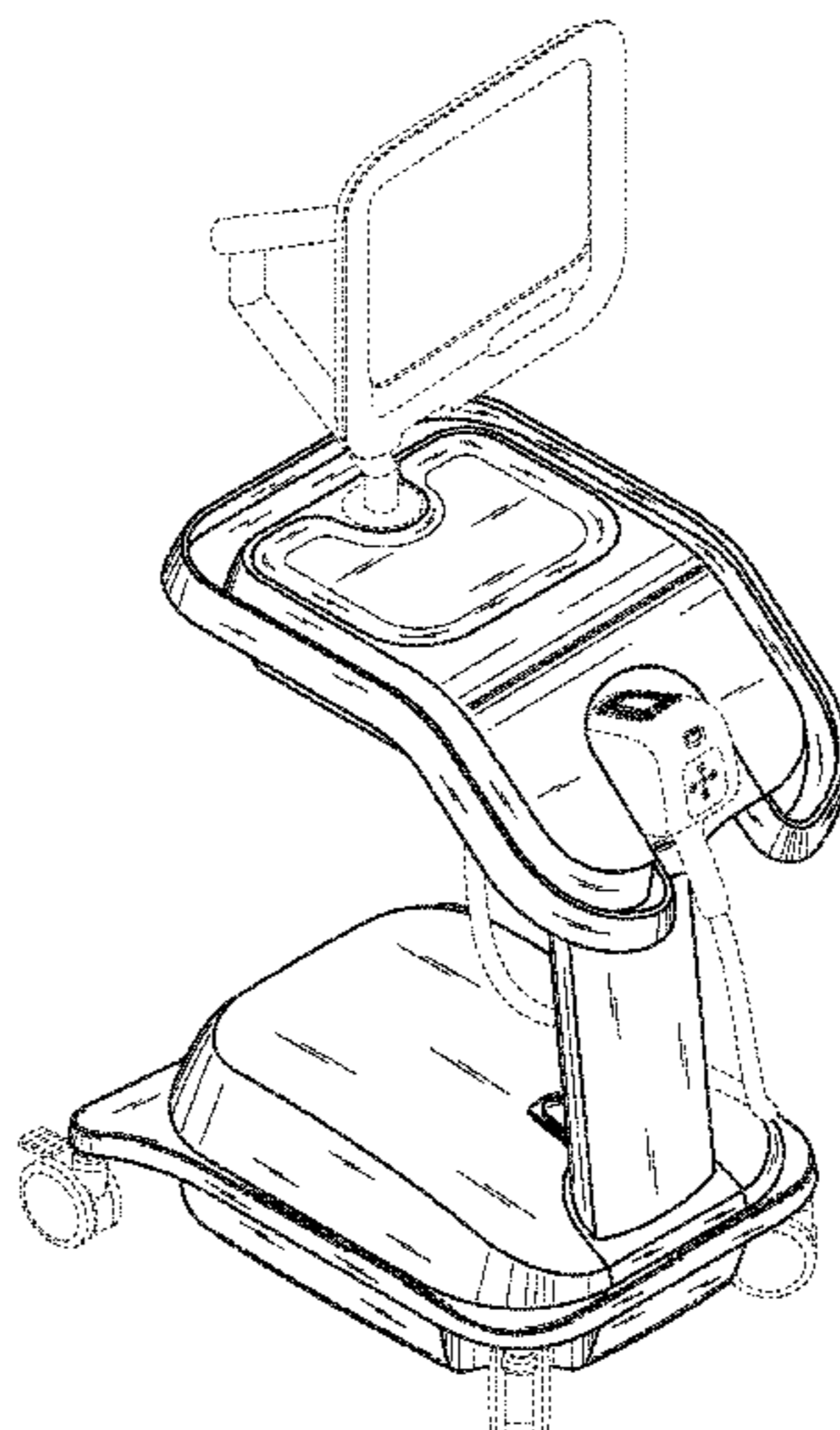
(57) **CLAIM**

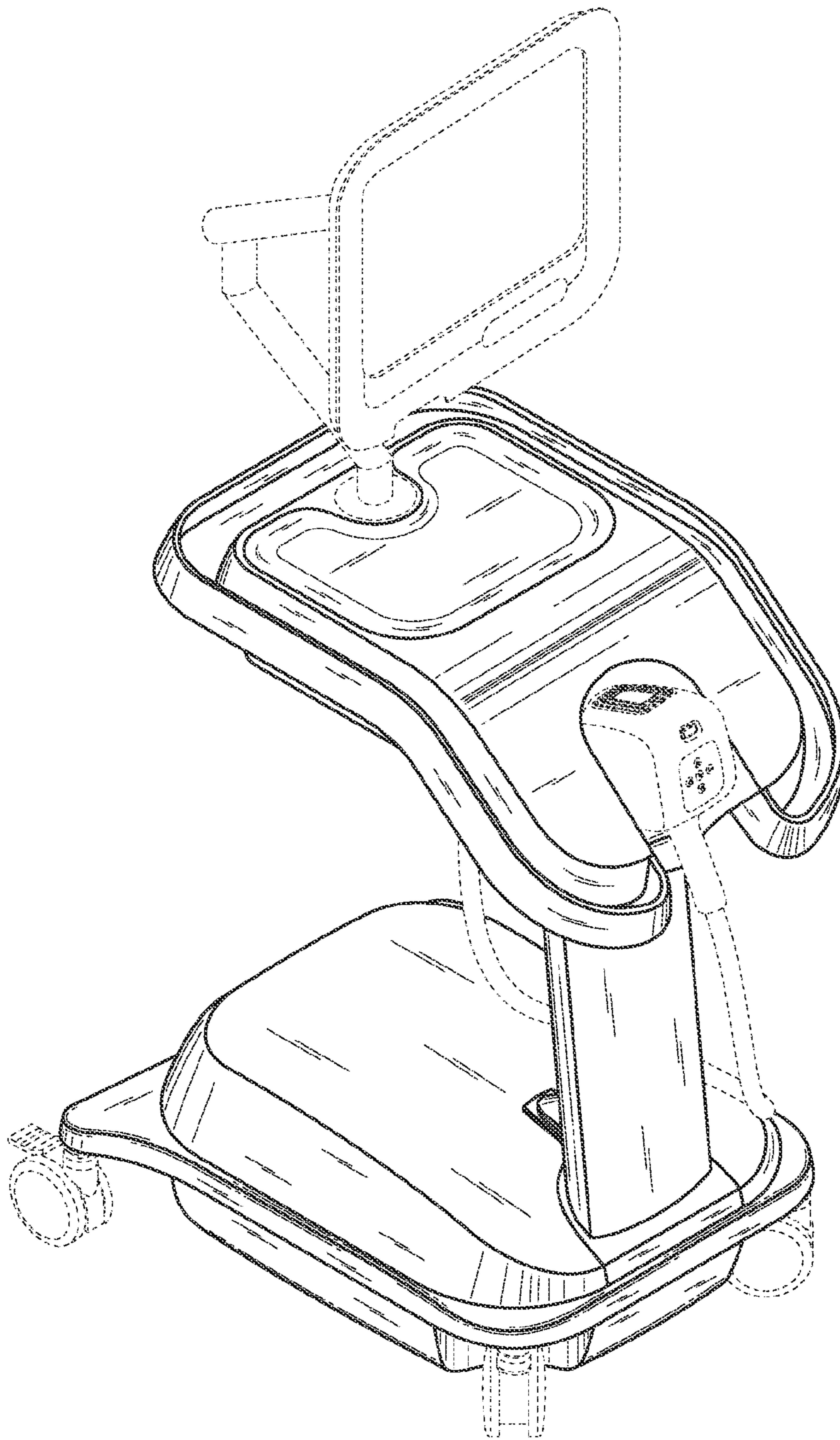
The ornamental design for a mobile cart, as shown and described.

**DESCRIPTION**

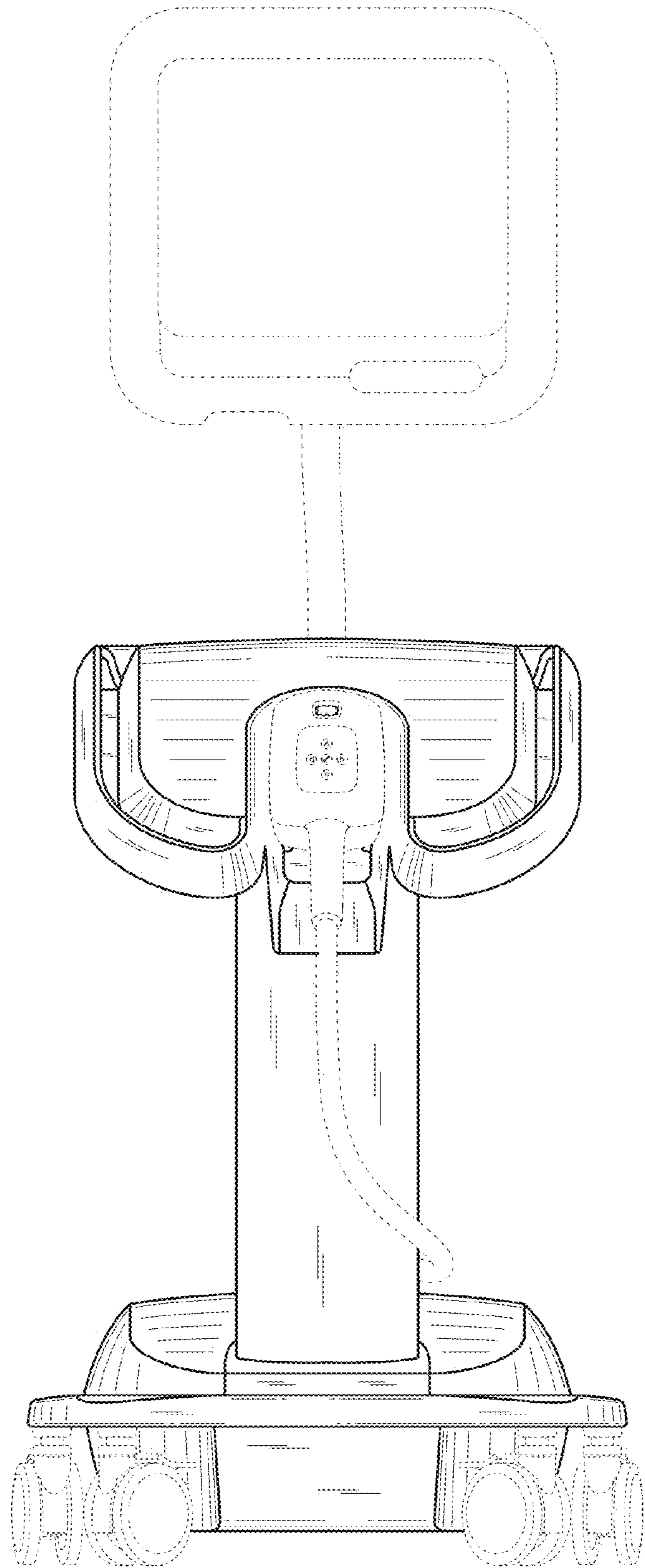
FIG. 1 is a top perspective view of a mobile cart.  
FIG. 2 is a front elevation view thereof.  
FIG. 3 is a rear elevation view thereof.  
FIG. 4 is a side elevation view thereof.  
FIG. 5 is the other side elevation view thereof.  
FIG. 6 is a top plan view thereof; and,  
FIG. 7 is a bottom plan view thereof.  
In the drawings, the broken lines depict unclaimed subject matter only and form no part of the claimed design.

**1 Claim, 7 Drawing Sheets**

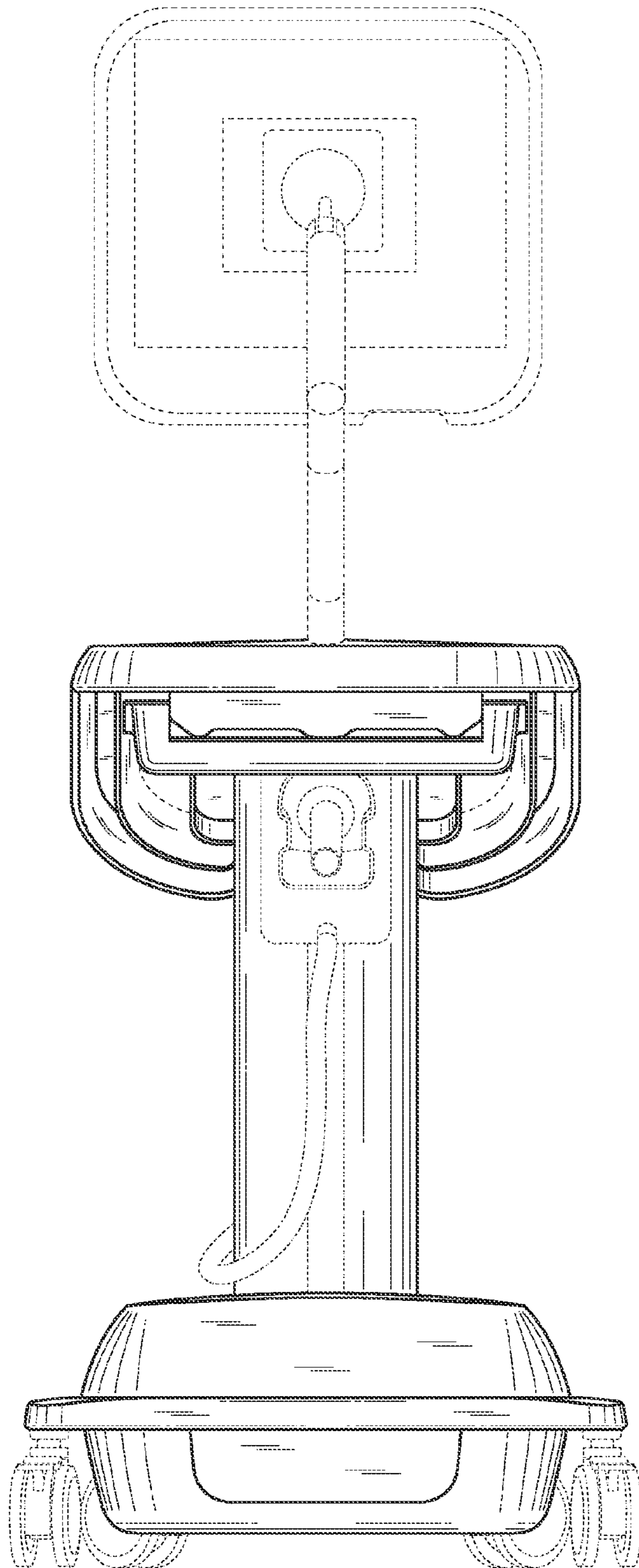




**Fig. 1**



**Fig. 2**



**Fig. 3**

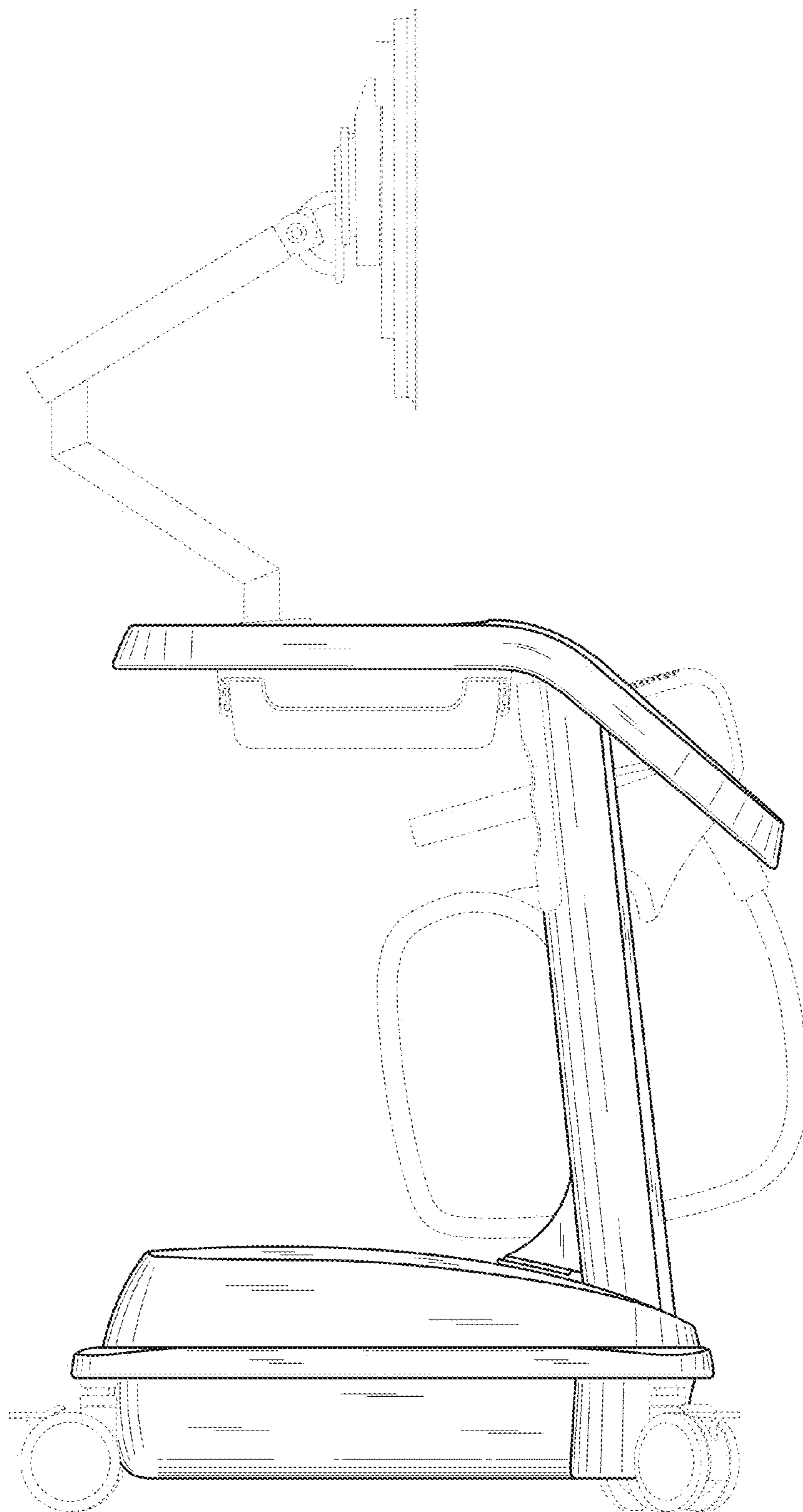


Fig. 4

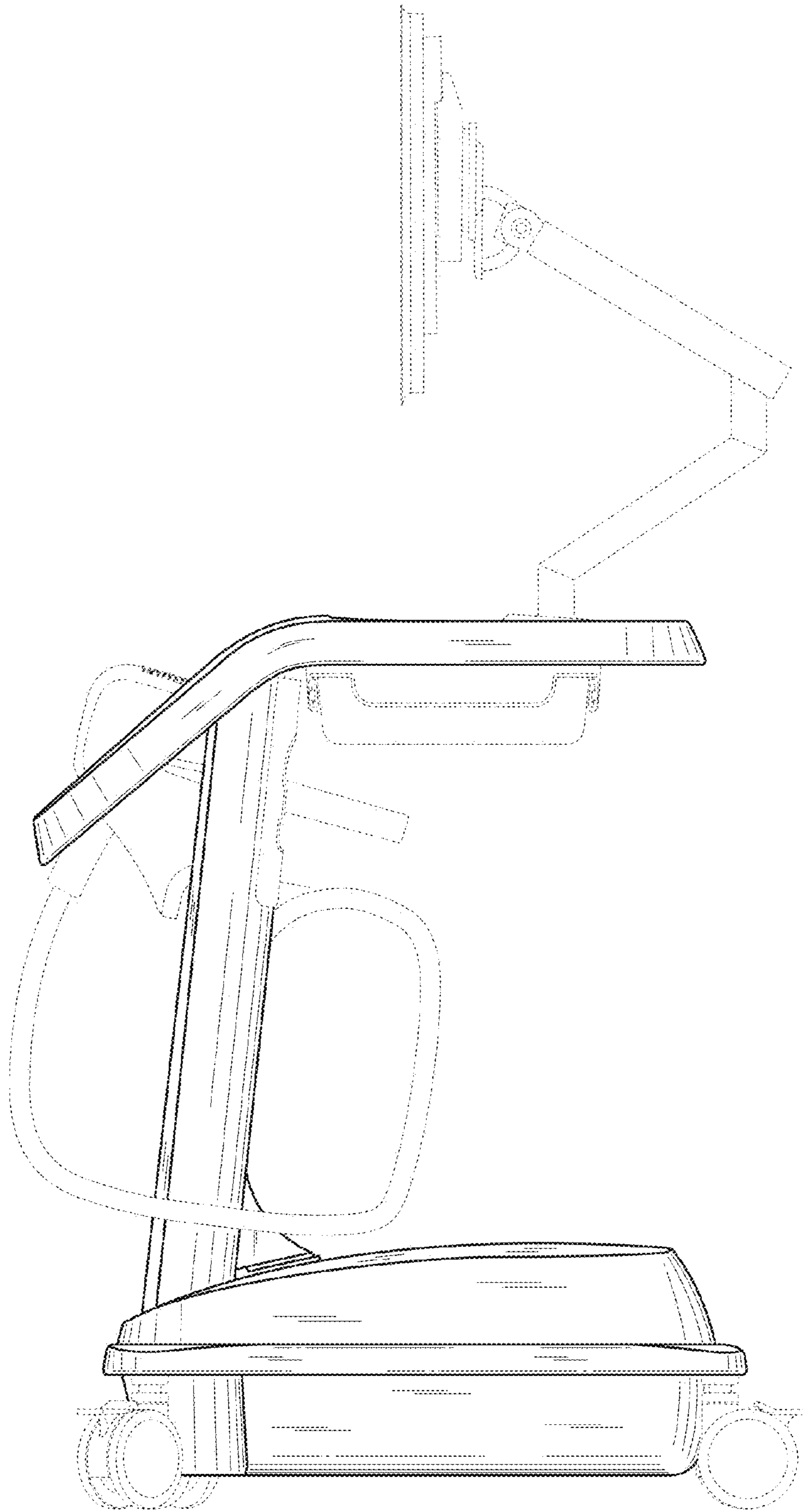


Fig. 5

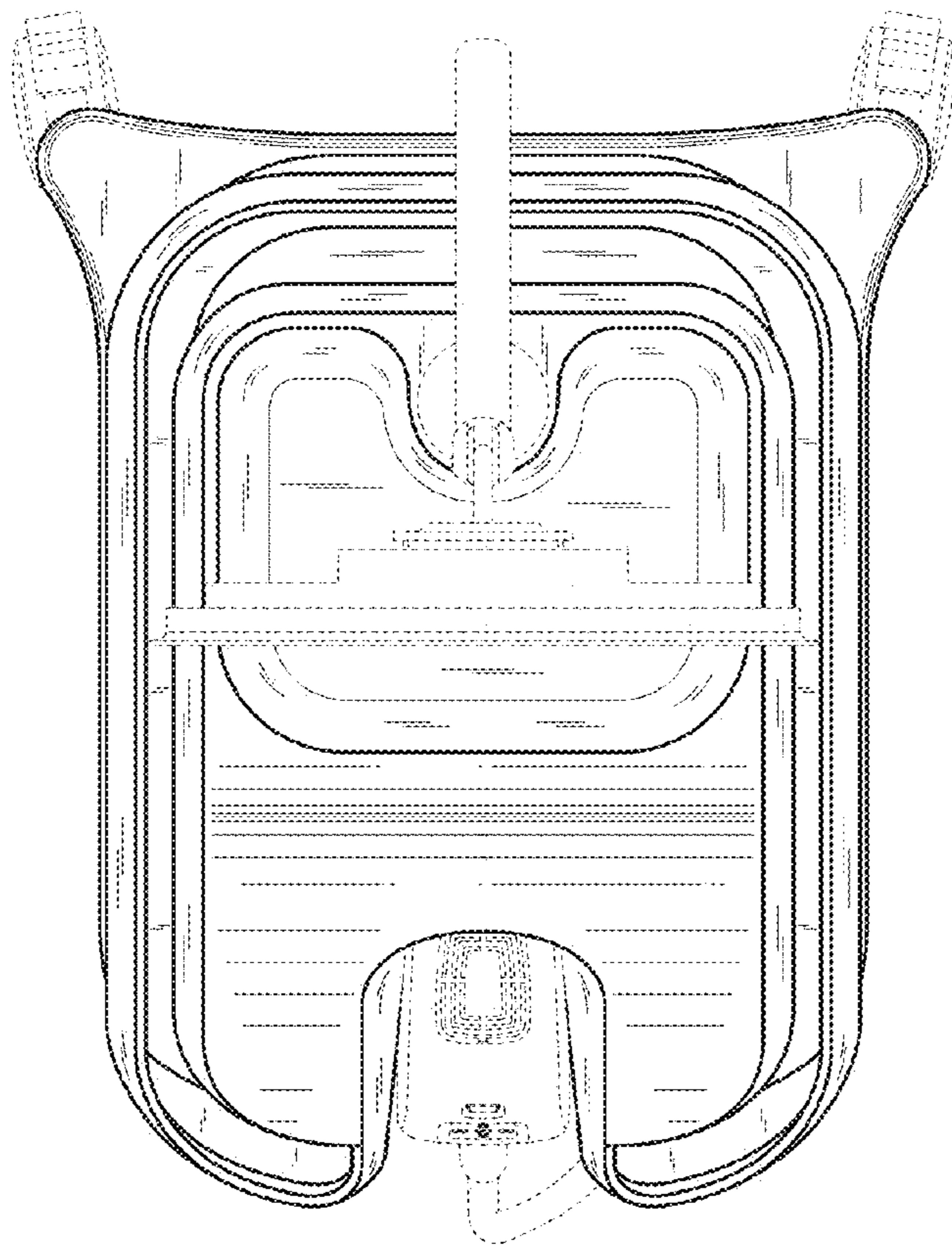
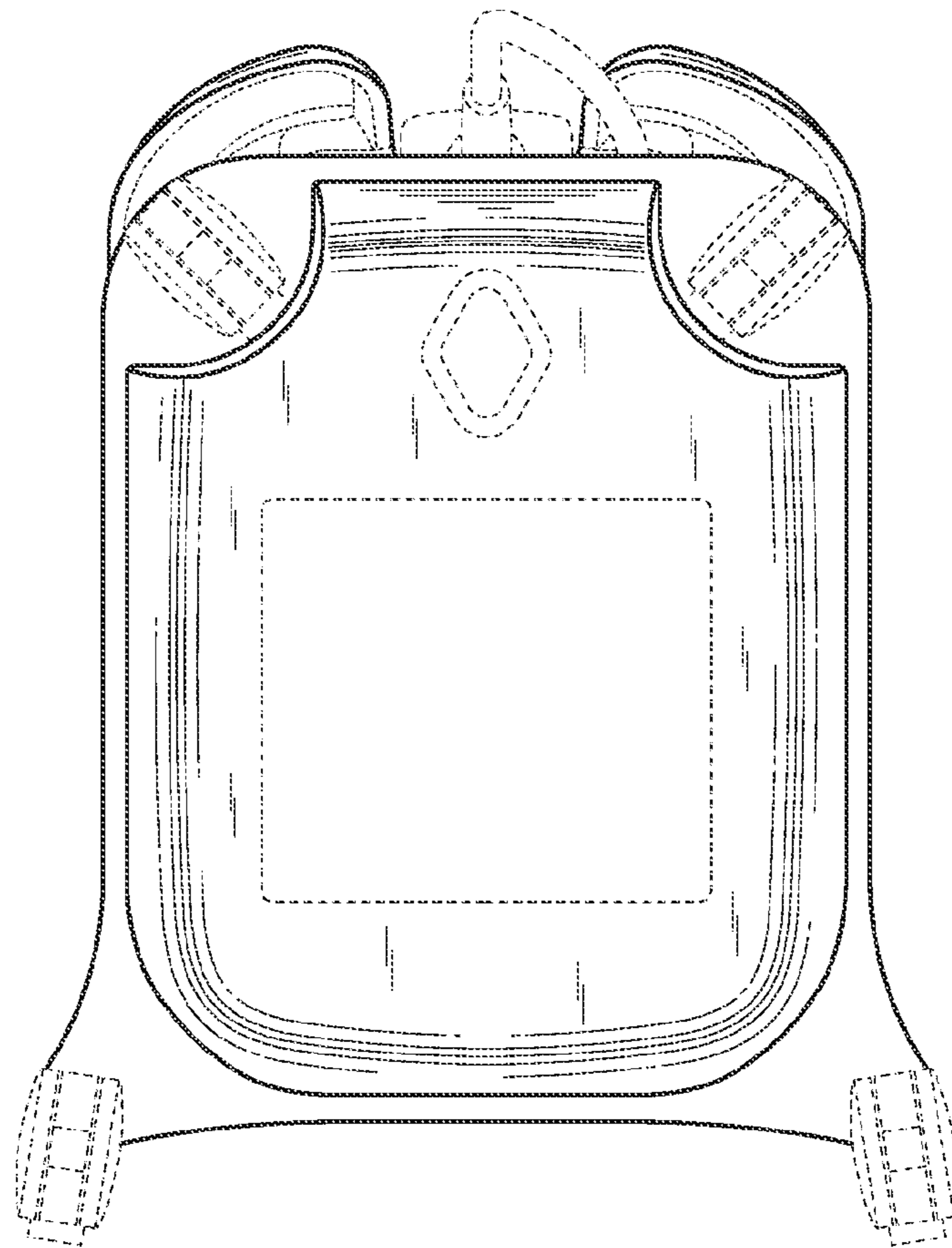


Fig. 6



**Fig. 7**