



US00D746474S

(12) **United States Design Patent**
Koros et al.

(10) **Patent No.:** **US D746,474 S**
(45) **Date of Patent:** **** Dec. 29, 2015**

- (54) **IMA CRANE RETRACTOR**
- (71) Applicants: **Tibor B. Koros**, Westlake Village, CA (US); **Gabriel J. Koros**, Westlake Village, CA (US)
- (72) Inventors: **Tibor B. Koros**, Westlake Village, CA (US); **Gabriel J. Koros**, Westlake Village, CA (US)
- (**) Term: **14 Years**
- (21) Appl. No.: **29/474,474**
- (22) Filed: **Sep. 30, 2014**
- (51) **LOC (10) Cl.** **24-01**
- (52) **U.S. Cl.**
USPC **D24/184**; D24/128; D24/135
- (58) **Field of Classification Search**
USPC D24/128, 135, 183, 184
CPC A61B 17/02; A61B 2017/0287; A61B 2019/268; A61B 19/26
See application file for complete search history.

5,964,699	A *	10/1999	Rullo et al.	600/228
5,984,866	A *	11/1999	Rullo et al.	600/231
D421,803	S *	3/2000	Koros et al.	D24/135
D425,620	S *	5/2000	Koros et al.	D24/135
6,083,153	A *	7/2000	Rullo et al.	600/217
6,090,042	A *	7/2000	Rullo et al.	600/210
6,387,047	B1 *	5/2002	Duhaylongsod et al.	600/231
6,488,621	B1 *	12/2002	Rullo et al.	600/228
6,689,053	B1 *	2/2004	Shaw et al.	600/227
6,834,837	B2 *	12/2004	Schilt et al.	248/284.1

OTHER PUBLICATIONS

[http://www.integralife.com/products%2Fpdfs%2Fima.sheet\(40/6041\)_611.pdf](http://www.integralife.com/products%2Fpdfs%2Fima.sheet(40/6041)_611.pdf); 2001.*
<http://www.geister.com/images/katalog/137.pdf>; printed Sep. 18, 2015.*
<http://www.rultract.net/root/procedures/grafting/>; printed Sep. 18, 2015.*

* cited by examiner

Primary Examiner — Mitchell Siegel

(57) **CLAIM**

The ornamental design for a IMA crane retractor, substantially as shown and described.

DESCRIPTION

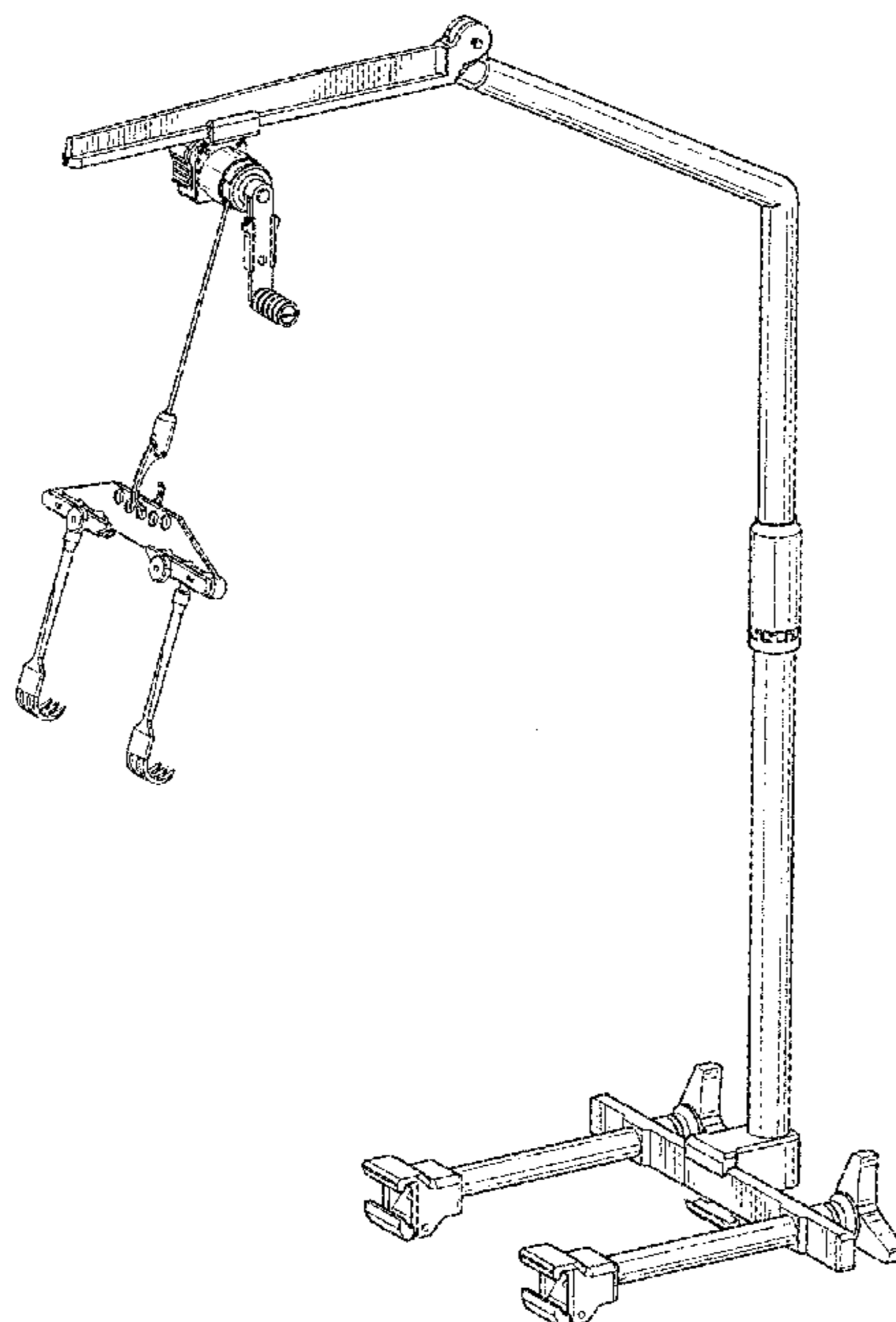
FIG. 1 is an isometric view of a IMA crane retractor according to the invention showing our new design.
 FIG. 2 is a front elevation view thereof,
 FIG. 3 is a rear elevation view thereof,
 FIG. 4 is a right elevation view thereof,
 FIG. 5 is a left elevation view thereof,
 FIG. 6 is a bottom plan view thereof; and,
 FIG. 7 is a top plan view thereof.

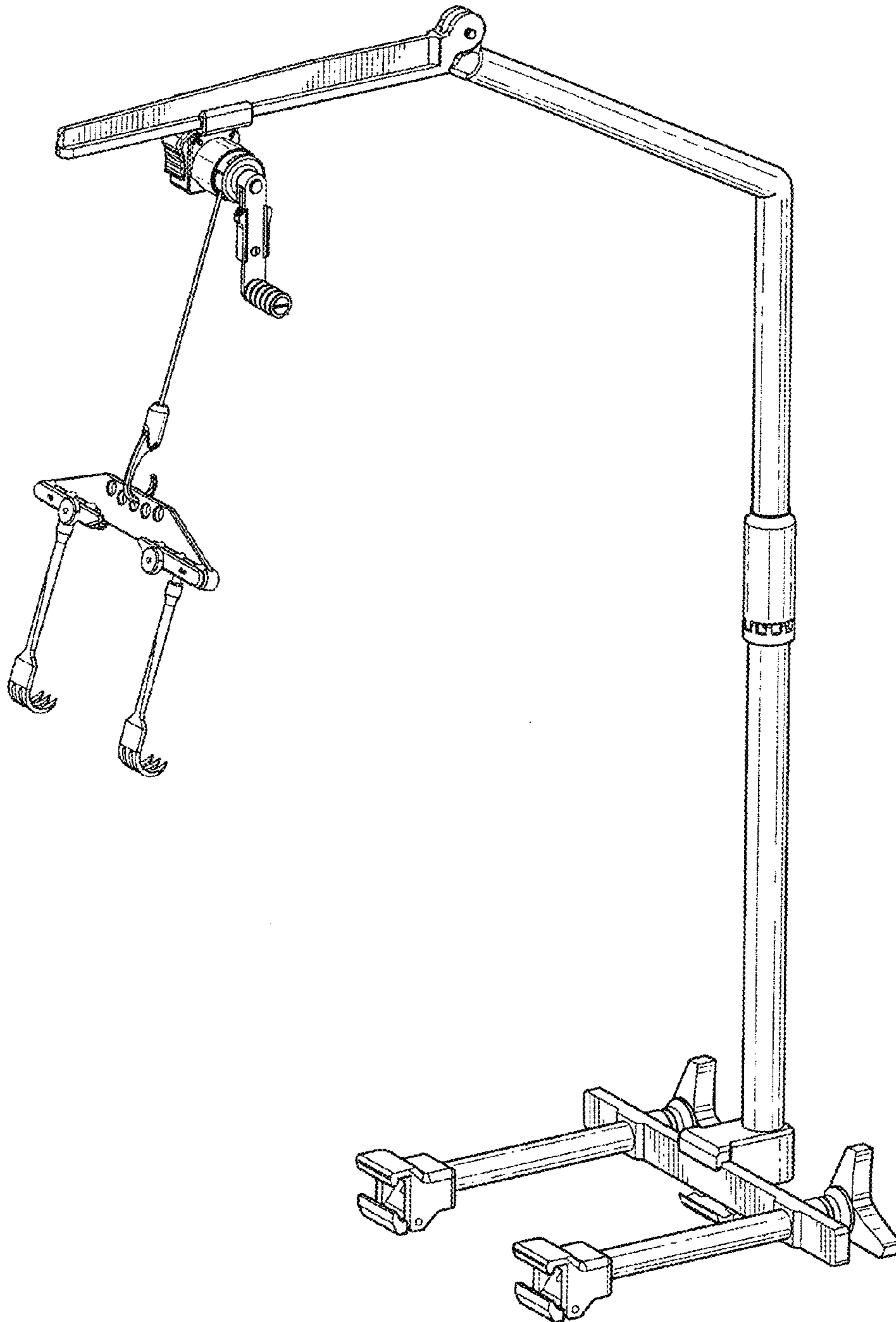
1 Claim, 6 Drawing Sheets

(56) **References Cited**

U.S. PATENT DOCUMENTS

3,572,326	A *	3/1971	Jensen	600/233
4,099,521	A *	7/1978	Nestor et al.	600/228
4,254,763	A *	3/1981	McCready et al.	600/230
4,622,955	A *	11/1986	Fakhrai	600/217
4,813,401	A *	3/1989	Grieshaber	600/234
D361,381	S *	8/1995	Koros et al.	D24/135
D380,548	S *	7/1997	Koros et al.	D24/135
D396,285	S *	7/1998	Koros et al.	D24/135
D399,955	S *	10/1998	Koros et al.	D24/135
5,882,299	A *	3/1999	Rastegar et al.	600/232
5,938,592	A *	8/1999	Koteles et al.	600/228





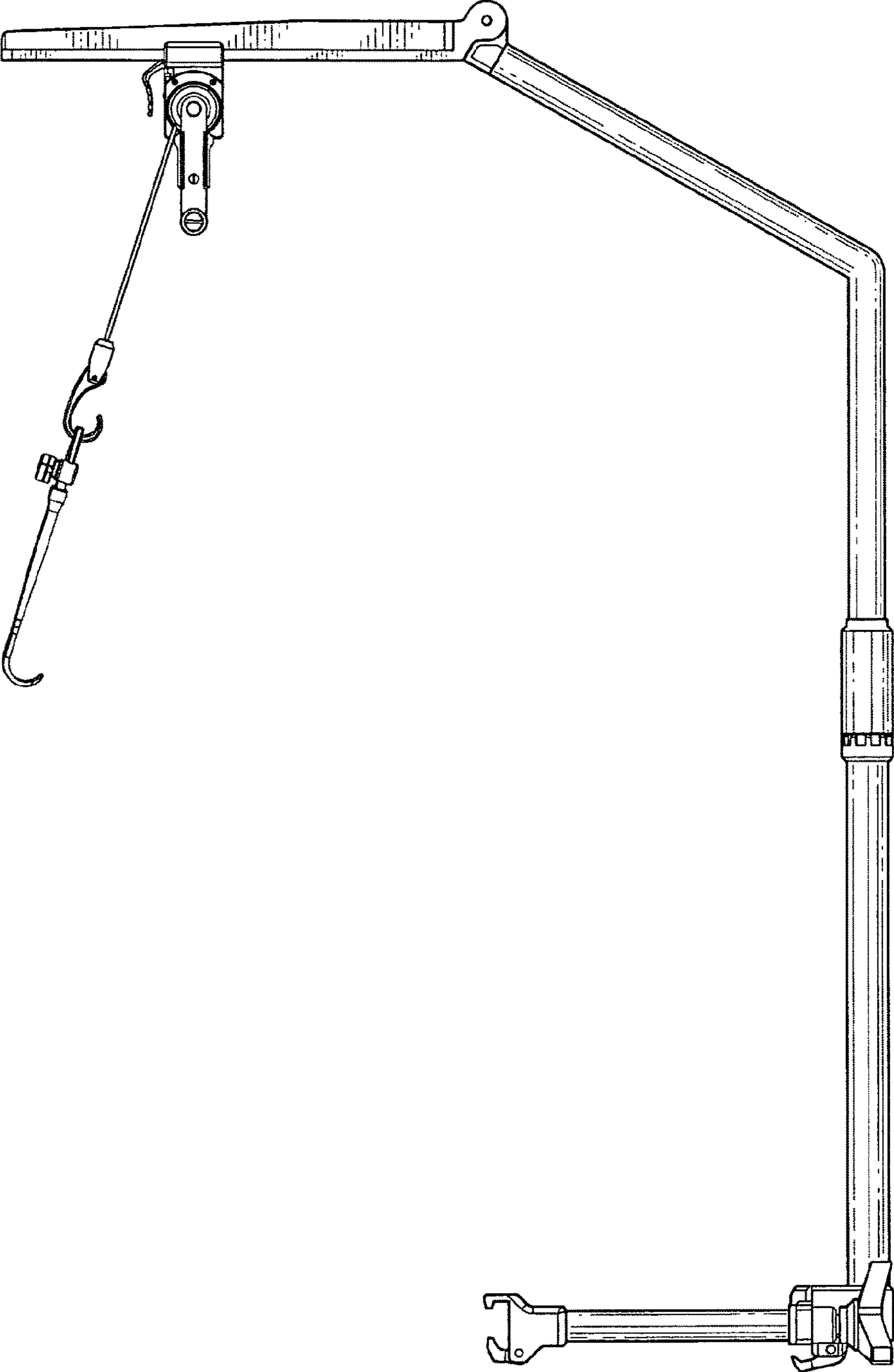


FIG. 2

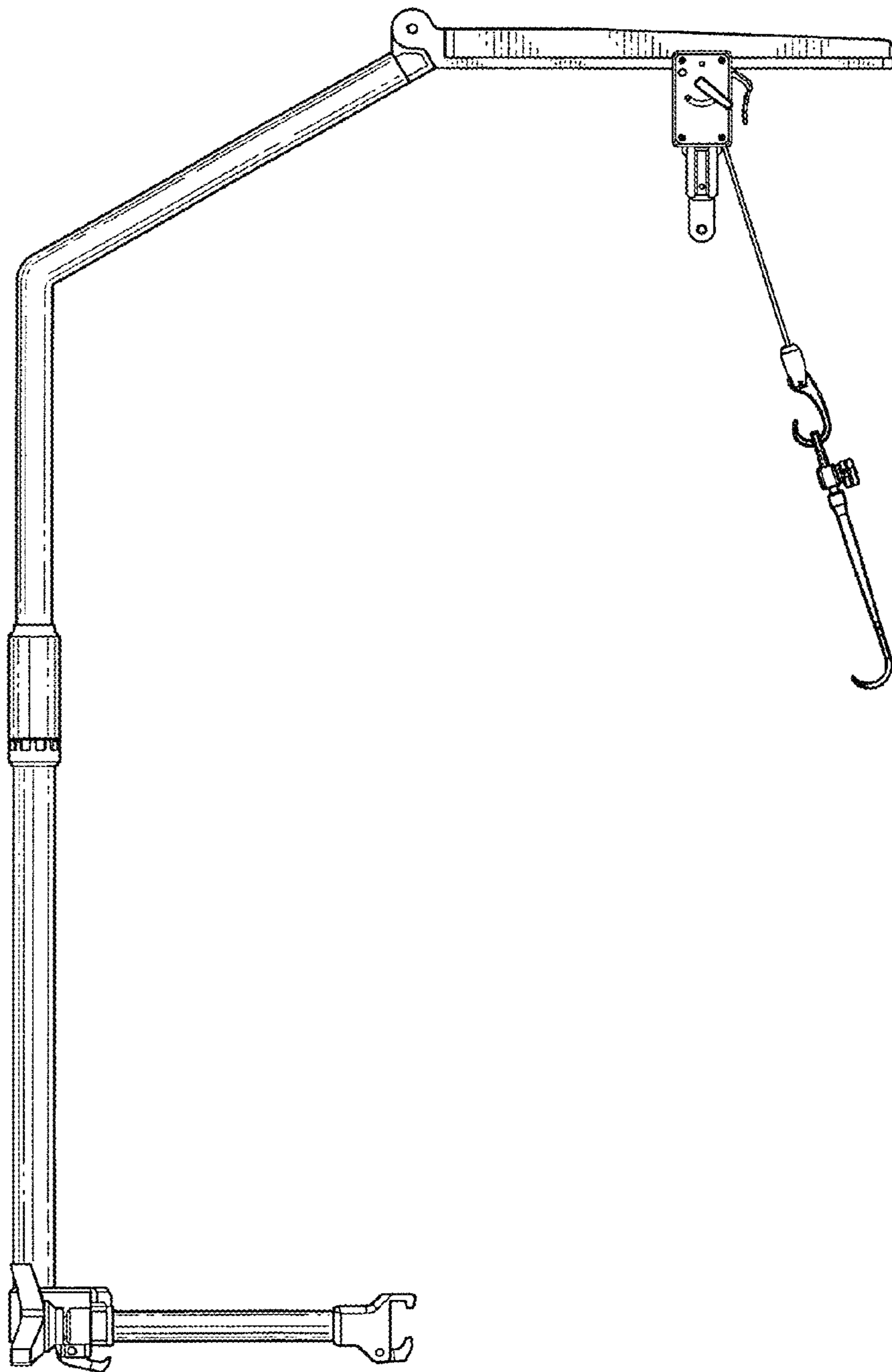


FIG. 3

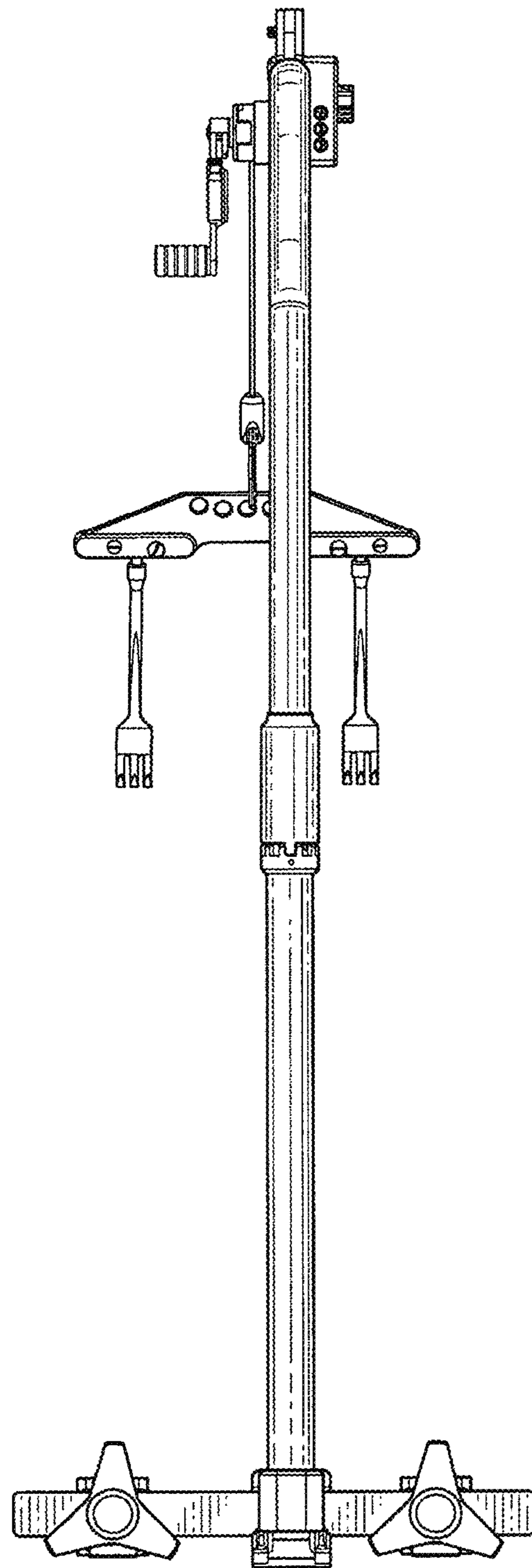


FIG. 4

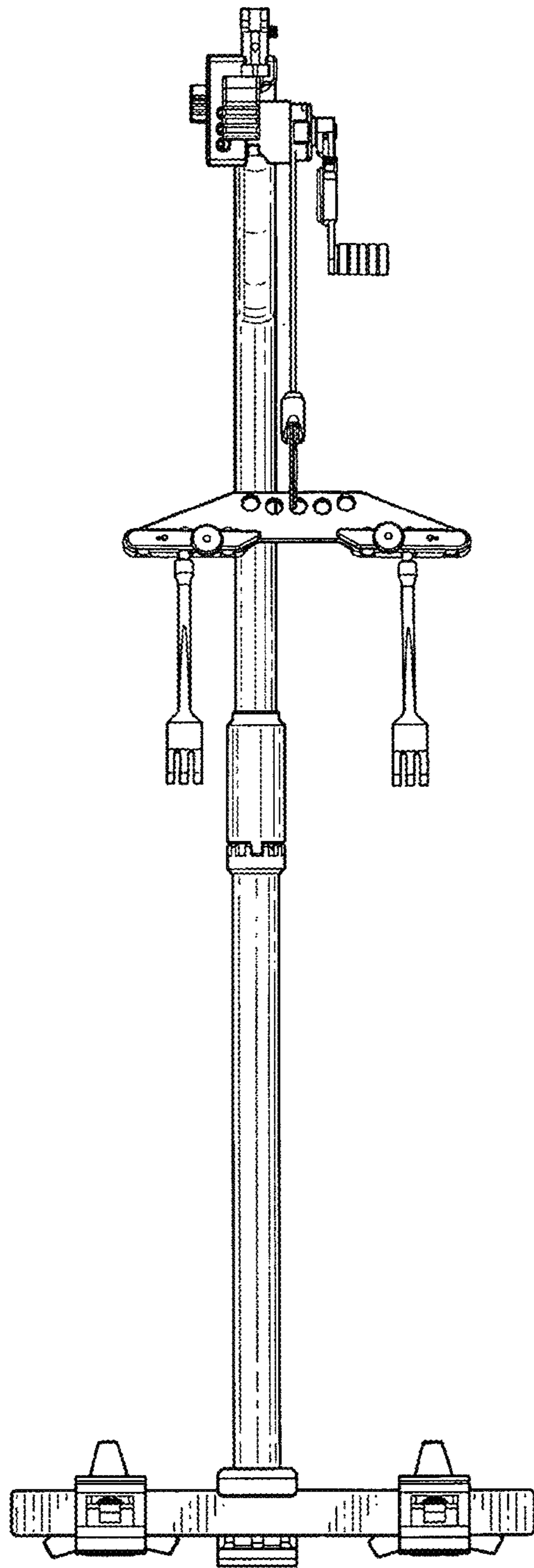


FIG. 5

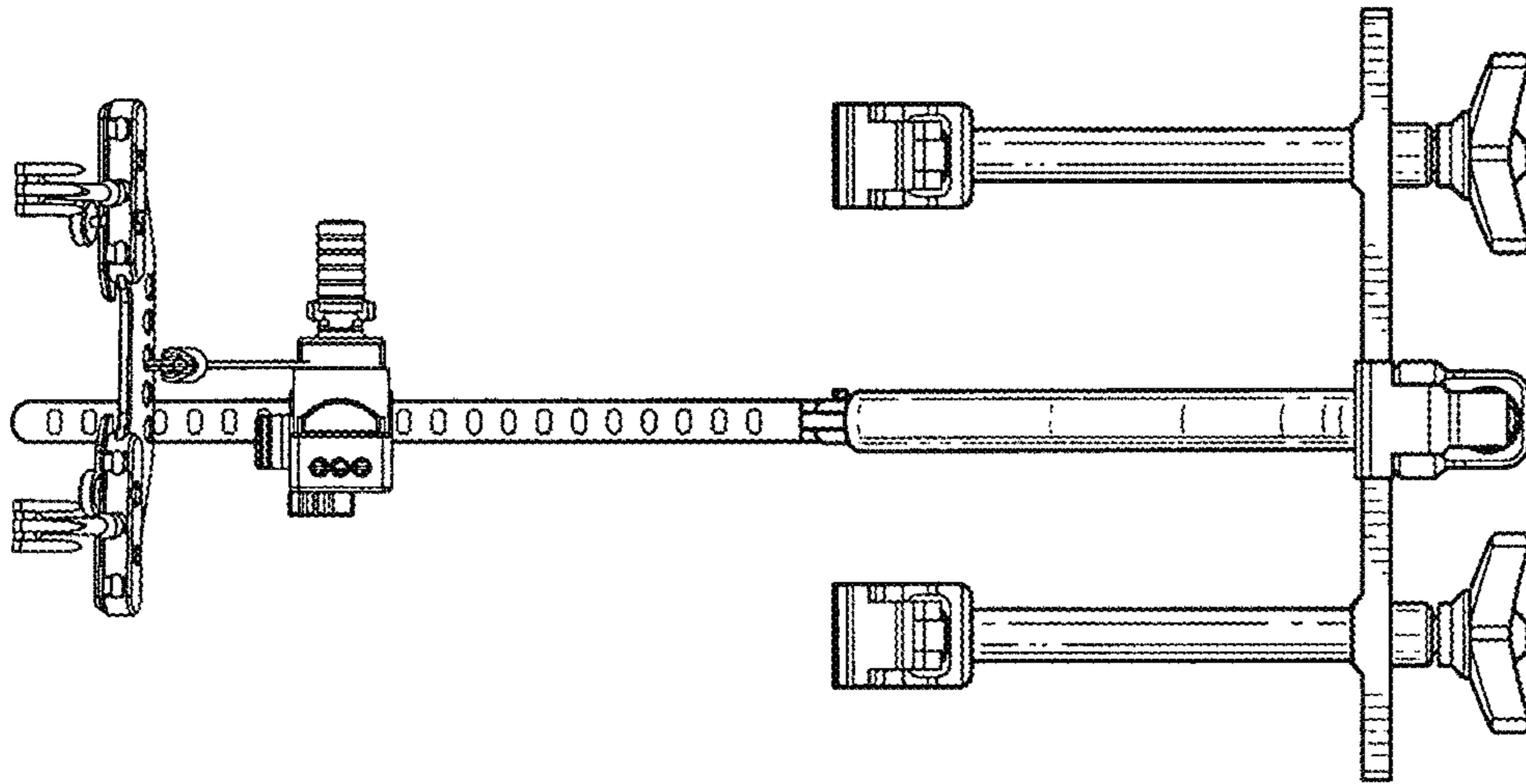


FIG. 6

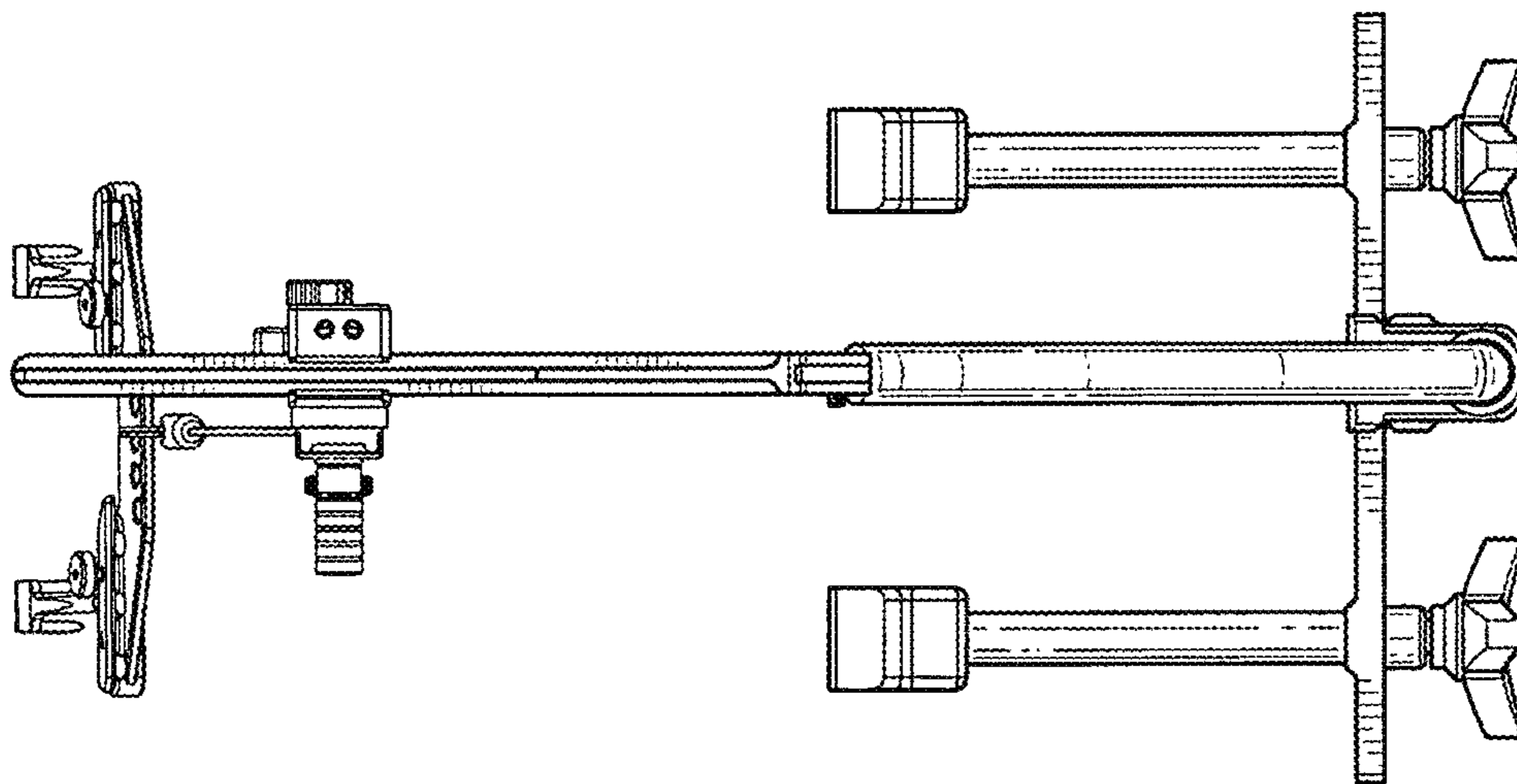


FIG. 7