

US00D746472S

(12) **United States Design Patent**
Morgan

(10) **Patent No.:** **US D746,472 S**
(45) **Date of Patent:** **** Dec. 29, 2015**

- (54) **TELEMEDICINE CABIN**
- (71) Applicant: **H4D**, Aix-en-Provence (FR)
- (72) Inventor: **Tanguy Morgan**, Pantin (FR)
- (73) Assignee: **H4D**, Aix-en-Provence (FR)
- (**) Term: **14 Years**
- (21) Appl. No.: **29/452,975**
- (22) Filed: **Apr. 24, 2013**

(30) **Foreign Application Priority Data**

Nov. 8, 2012 (FR) 12 4993

- (51) **LOC (10) Cl.** **24-01**
- (52) **U.S. Cl.**
USPC **D24/183**; D24/186; D24/185
- (58) **Field of Classification Search**
USPC D24/183, 185–186, 232, 234; D19/59,
D19/60, 62, 63; D25/35, 16; 454/187;
52/36.4, 79.1, 79.5, 32; D12/319, 320;
128/200.14; D21/833, 326–327;
181/198, 204; 55/385.2; 348/14.04;
378/195

See application file for complete search history.

(56) **References Cited**

U.S. PATENT DOCUMENTS

- 3,511,162 A * 5/1970 Truhan 454/187
- 3,517,468 A * 6/1970 Woods 52/79.1
- 4,987,706 A * 1/1991 Hughes et al. 52/79.5
- D332,249 S * 1/1993 Harper D12/320
- D334,409 S * 3/1993 Harper D19/63
- D334,410 S * 3/1993 Harper D12/319
- D334,591 S * 4/1993 Harper D19/63

- 5,210,984 A * 5/1993 Eckel 52/79.5
- 5,372,126 A * 12/1994 Blau 128/200.14
- 5,533,305 A * 7/1996 Bielecki 52/79.1
- D382,620 S * 8/1997 Callan D21/833
- 5,929,394 A * 7/1999 Westerbeke, Jr. 181/204
- D483,075 S * 12/2003 Kang D21/326
- 6,966,937 B2 * 11/2005 Yachi et al. 55/385.2
- D531,221 S * 10/2006 Shiraishi D19/60
- D531,670 S * 11/2006 Shiraishi D19/60
- D545,369 S * 6/2007 Scharfetter D19/63
- D558,830 S * 1/2008 Soodeen et al. D19/63
- D637,231 S * 5/2011 Suto et al. D19/63
- D638,879 S * 5/2011 Suto et al. D19/63
- D650,446 S * 12/2011 Vonsik et al. D21/327
- 2009/0167838 A1 * 7/2009 Poisner et al. 348/14.04
- 2009/0202045 A1 * 8/2009 Guertin et al. 378/195
- 2014/0290151 A1 * 10/2014 Lee 52/32

* cited by examiner

Primary Examiner — T. Chase Nelson

Assistant Examiner — Mark Cavanna

(74) *Attorney, Agent, or Firm* — Baker & Hostetler LLP

(57) **CLAIM**

I claim the ornamental design for a telemedicine cabin, as shown and described.

DESCRIPTION

FIG. 1s a rear right perspective view of a telemedicine cabin showing our new design.

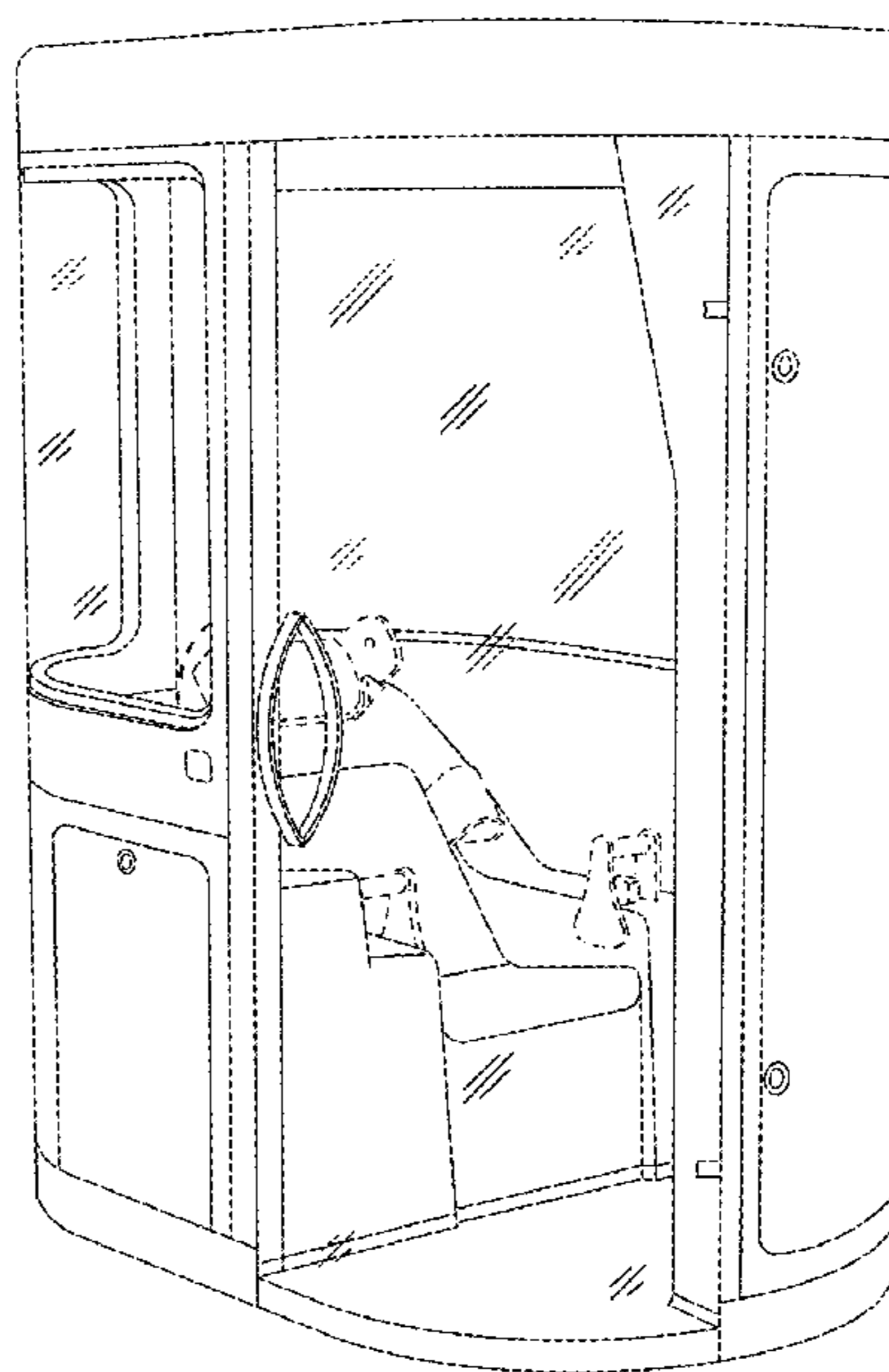
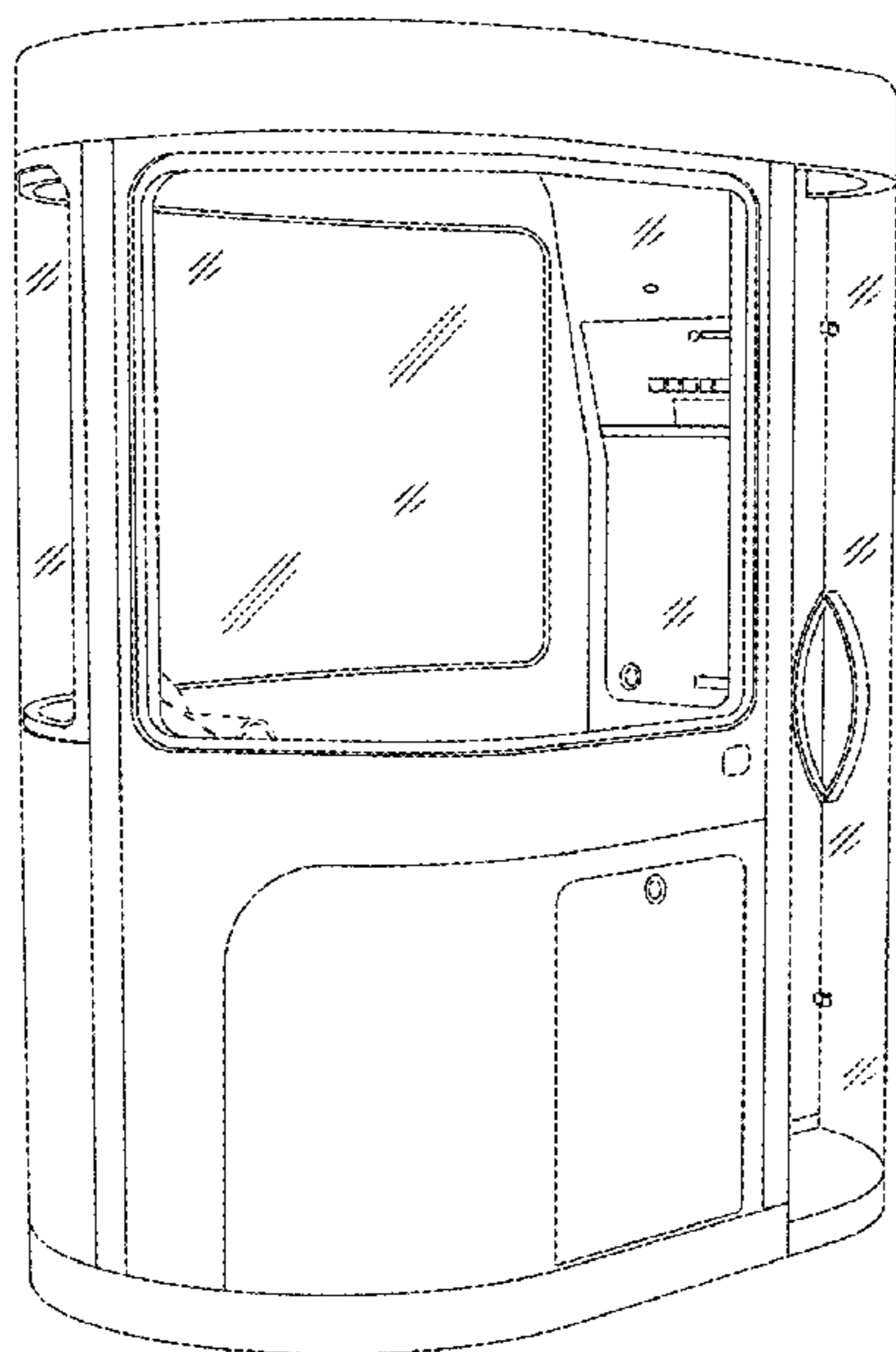
FIG. 2 is a front left perspective view thereof.

FIG. 3 is a front right perspective view thereof; and,

FIG. 4 is a rear left perspective view thereof.

The top and bottom views not shown form no part of the design and are omitted. The broken lines are included for the purpose of illustrating unclaimed portions of the telemedicine cabin and form no part of the claimed design.

1 Claim, 4 Drawing Sheets



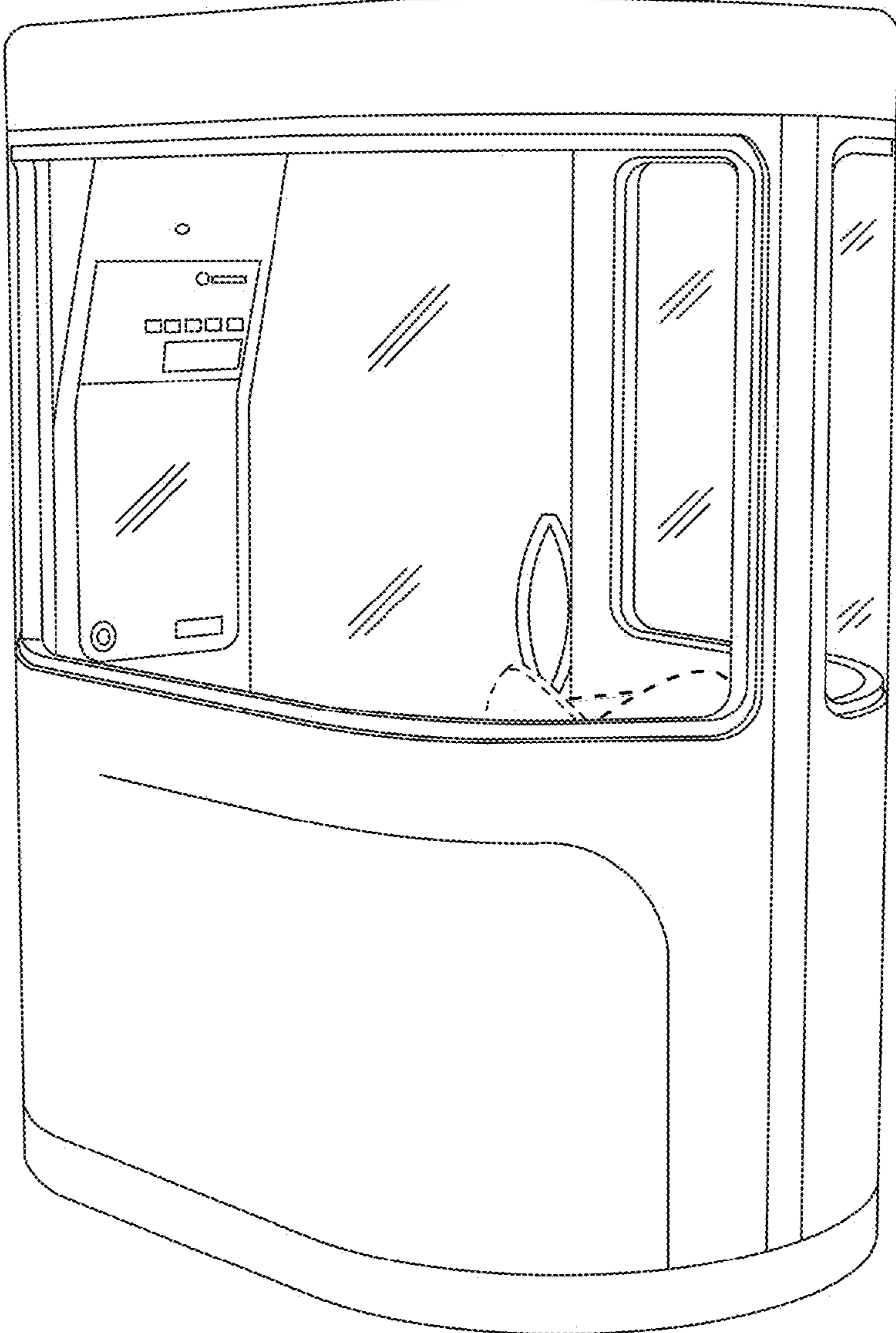


FIG. 1

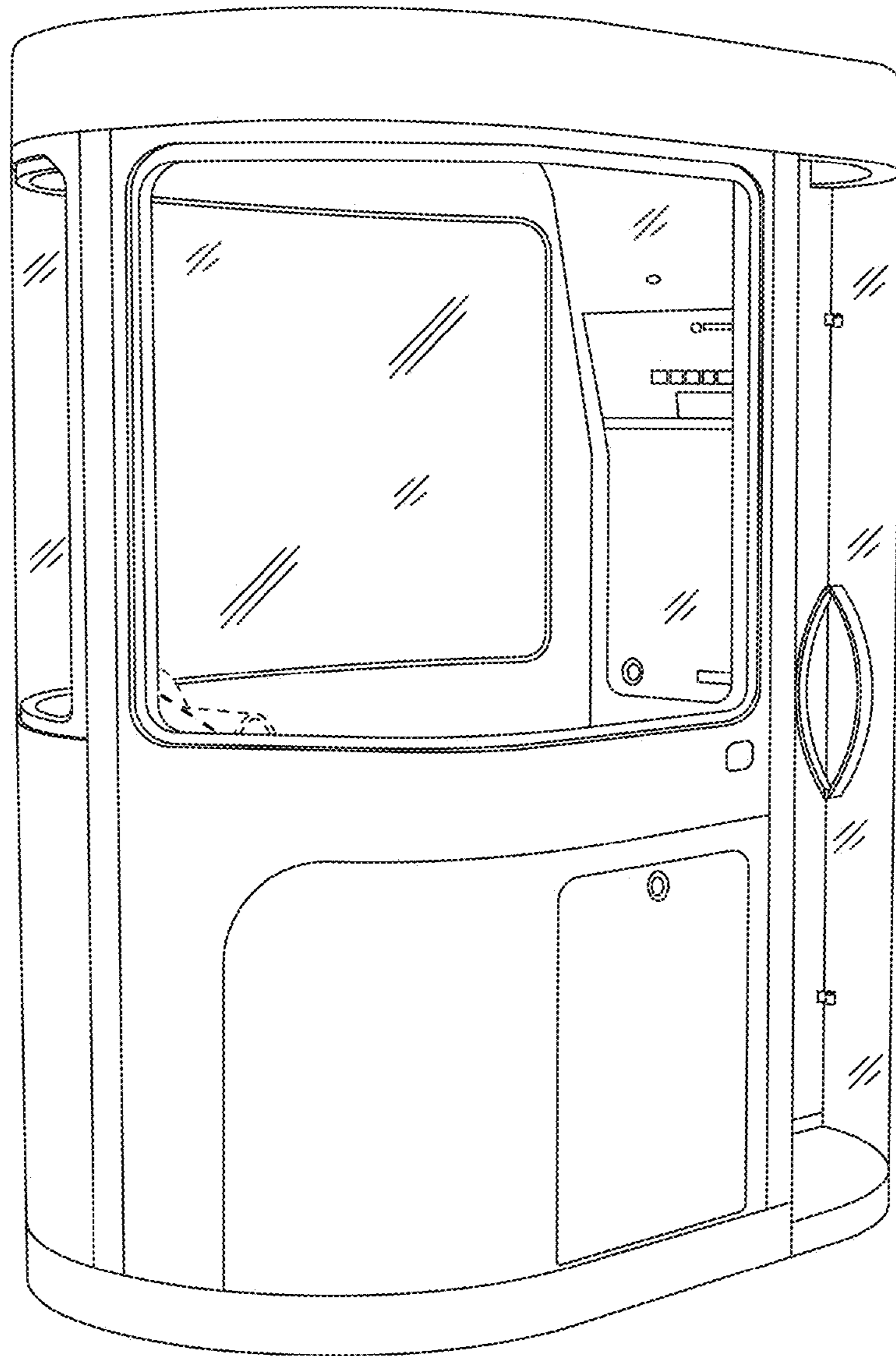


FIG. 2

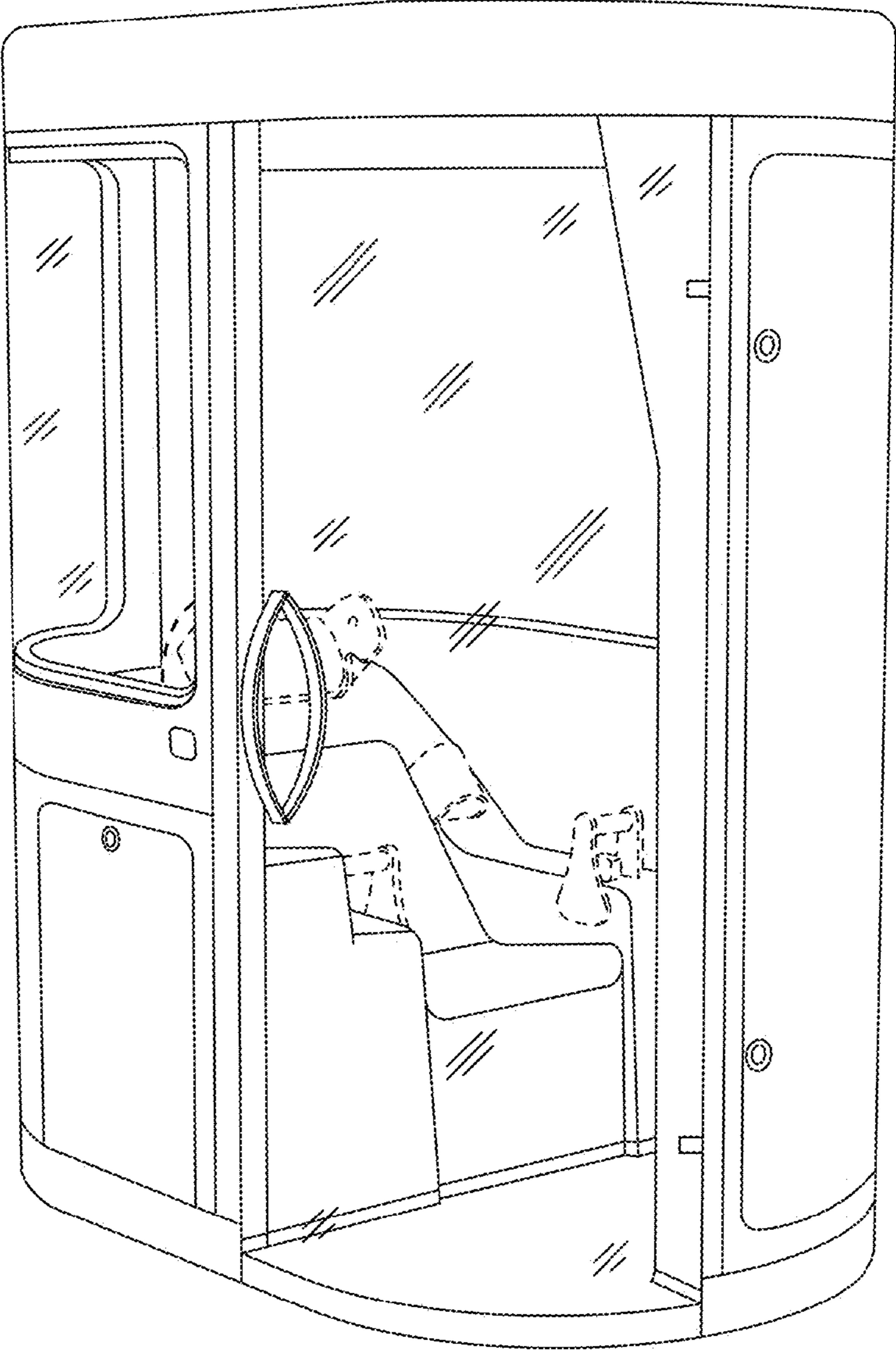


FIG. 3

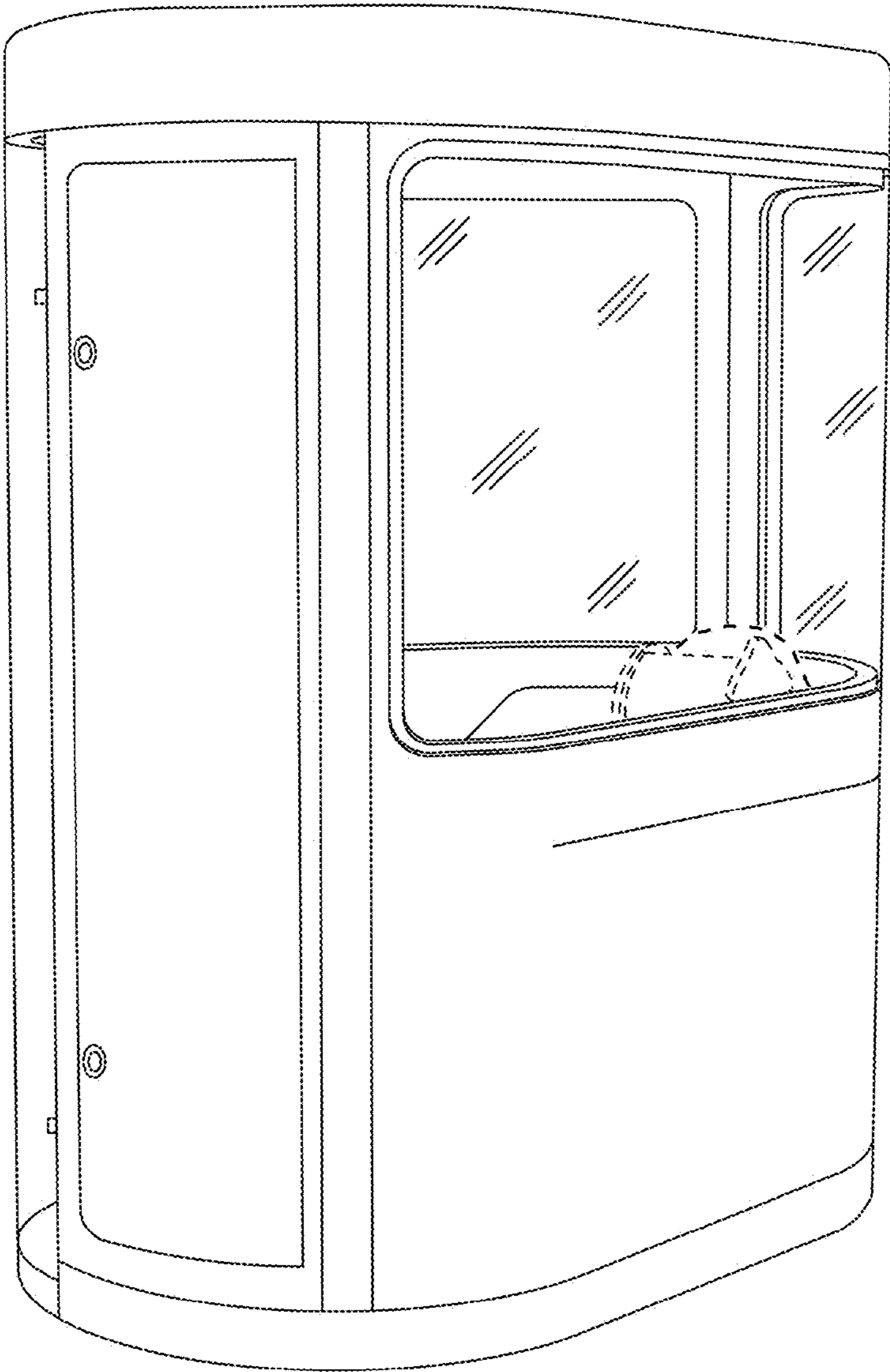


FIG. 4