



US00D746471S

(12) **United States Design Patent**  
**Kobayashi et al.**

(10) **Patent No.:** **US D746,471 S**

(45) **Date of Patent:** **\*\* Dec. 29, 2015**

(54) **BLOOD RESERVOIR AND OXYGENATOR IN COMBINATION**

(56) **References Cited**

(71) Applicant: **NIPRO CORPORATION**, Osaka-shi, Osaka (JP)

(72) Inventors: **Susumu Kobayashi**, Osaka (JP); **Yukinori Ebara**, Osaka (JP); **Kazuhisa Ishihara**, Osaka (JP); **Yuji Kuwahara**, Osaka (JP); **Shunsuke Kikumoto**, Osaka (JP); **Naoaki Yasumura**, Osaka (JP); **Keisuke Hirama**, Osaka (JP); **Eiichi Koiso**, Osaka (JP)

(73) Assignee: **NIPRO CORPORATION**, Osaka-shi (JP)

(\*\*) Term: **14 Years**

(21) Appl. No.: **29/521,603**

(22) Filed: **Mar. 25, 2015**

(30) **Foreign Application Priority Data**

Sep. 26, 2014 (JP) ..... 2014-021321

(51) **LOC (10) Cl.** ..... **24-01**

(52) **U.S. Cl.**  
USPC ..... **D24/169**

(58) **Field of Classification Search**

USPC ..... D24/107, 108, 111, 121, 169, 224;  
604/4.01, 5.01, 6.01, 6.15, 6.14, 413,  
604/6.09, 403; 422/44, 45, 46, 47; 210/188,  
210/342, 315; 96/179; 261/DIG. 28; 435/2,  
435/45, 47; 128/DIG. 3; 165/74

CPC A61M 1/3627; A61M 1/3632; A61M 1/1698  
See application file for complete search history.

U.S. PATENT DOCUMENTS

|           |     |         |                  |                           |
|-----------|-----|---------|------------------|---------------------------|
| 5,039,430 | A * | 8/1991  | Corey, Jr. ....  | A61M 1/3627<br>210/188    |
| D320,661  | S * | 10/1991 | Sone .....       | D24/169                   |
| 5,120,502 | A * | 6/1992  | Gordon .....     | A61M 1/1698<br>128/DIG. 3 |
| D351,909  | S * | 10/1994 | Nogawa .....     | D24/169                   |
| 5,770,073 | A * | 6/1998  | Bach .....       | A61M 1/3627<br>210/436    |
| 5,849,186 | A * | 12/1998 | Raneri .....     | A61M 1/3627<br>210/315    |
| D490,527  | S * | 5/2004  | Ijiri .....      | D24/169                   |
| D687,943  | S   | 8/2013  | Kobayashi et al. |                           |

\* cited by examiner

*Primary Examiner* — Anhdao Doan

(74) *Attorney, Agent, or Firm* — Birch, Stewart, Kolasch & Birch, LLP

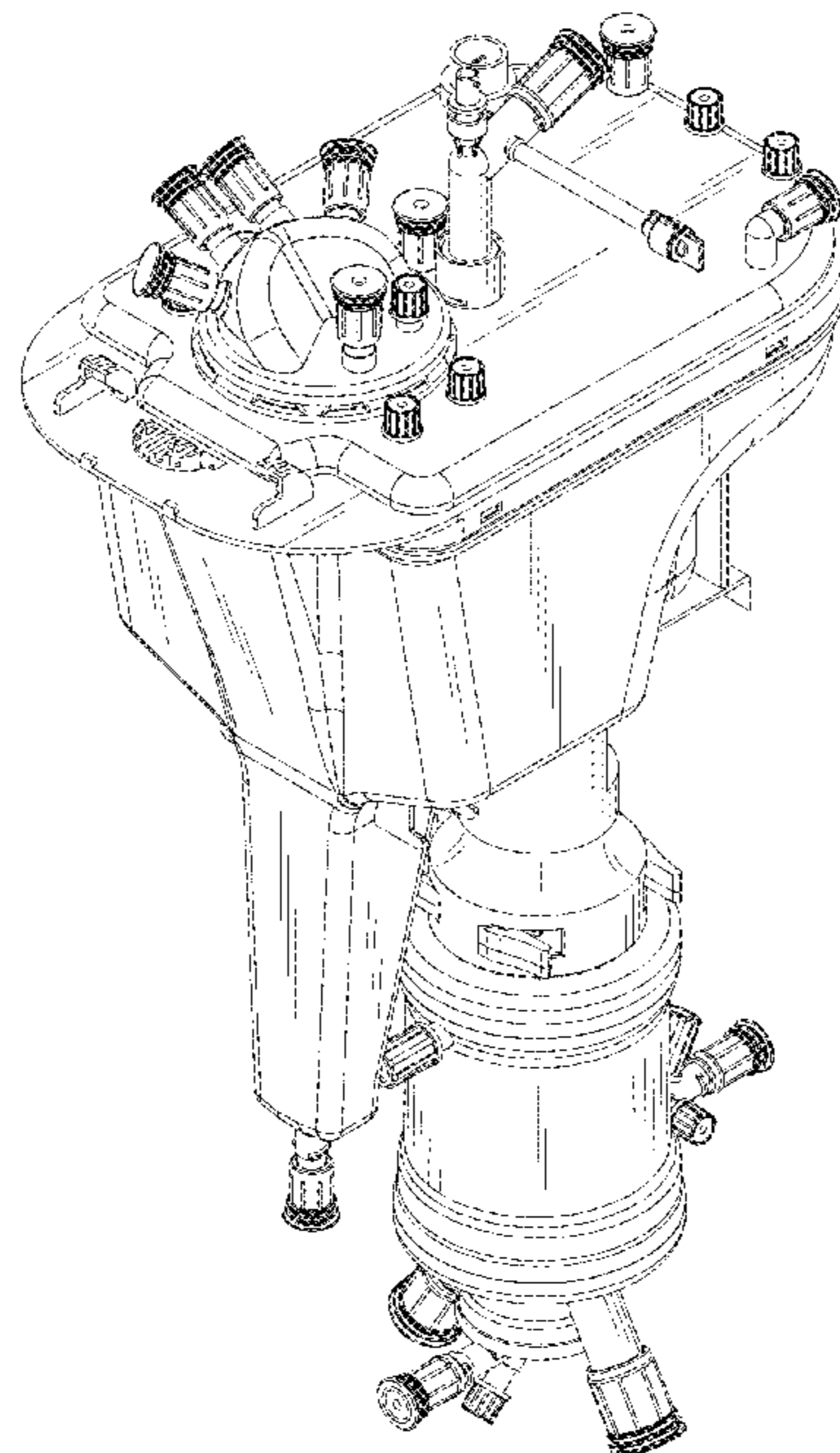
(57) **CLAIM**

The ornamental design for a blood reservoir and oxygenator in combination, as shown and described.

**DESCRIPTION**

FIG. 1 is a first perspective view of a blood reservoir and oxygenator in combination;  
FIG. 2 is a second perspective view thereof;  
FIG. 3 is a front view thereof;  
FIG. 4 is a rear view thereof;  
FIG. 5 is a left side view thereof;  
FIG. 6 is a right side view thereof;  
FIG. 7 is a top view thereof; and  
FIG. 8 is a bottom view thereof.

**1 Claim, 8 Drawing Sheets**



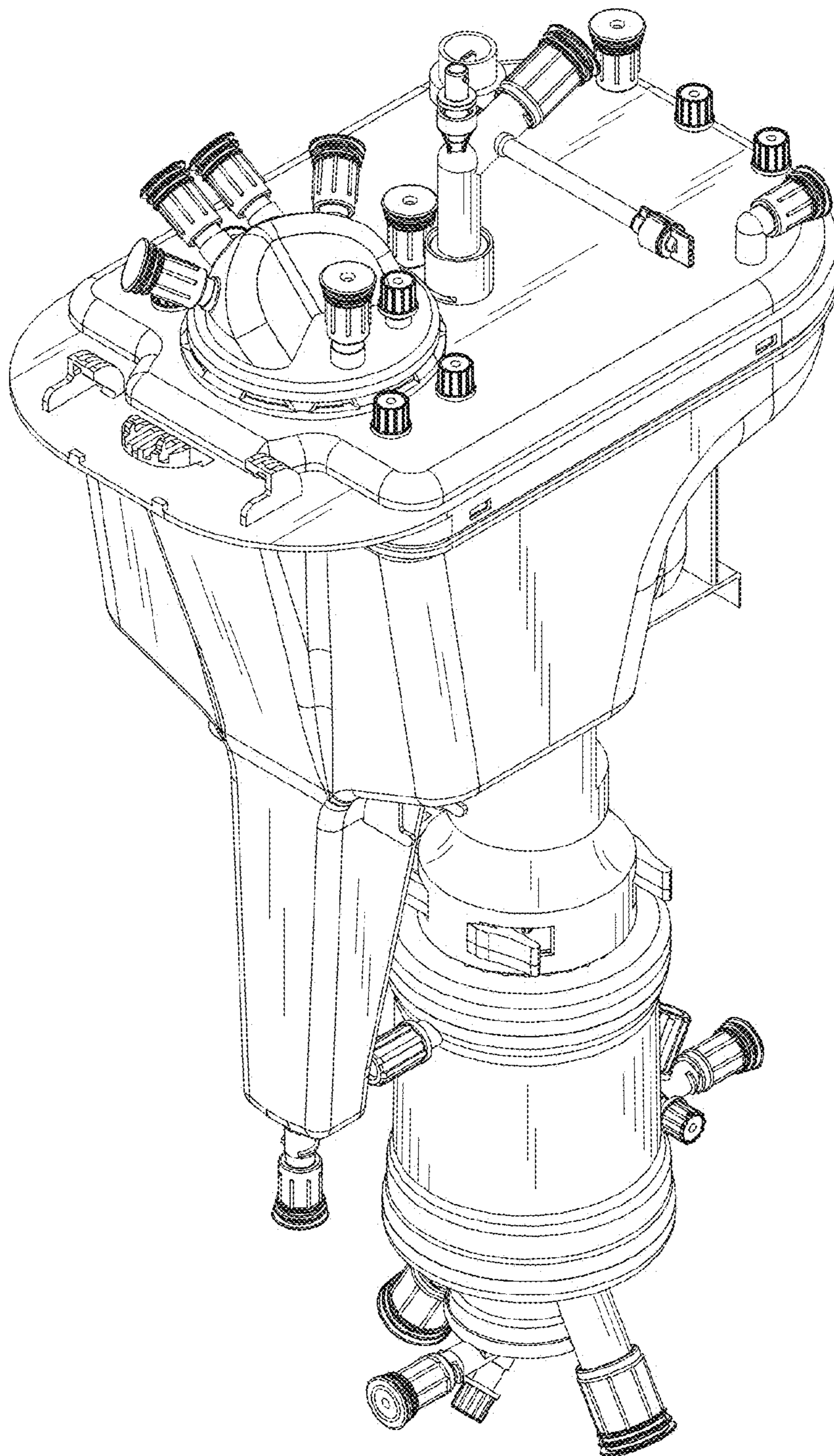


FIG. 1



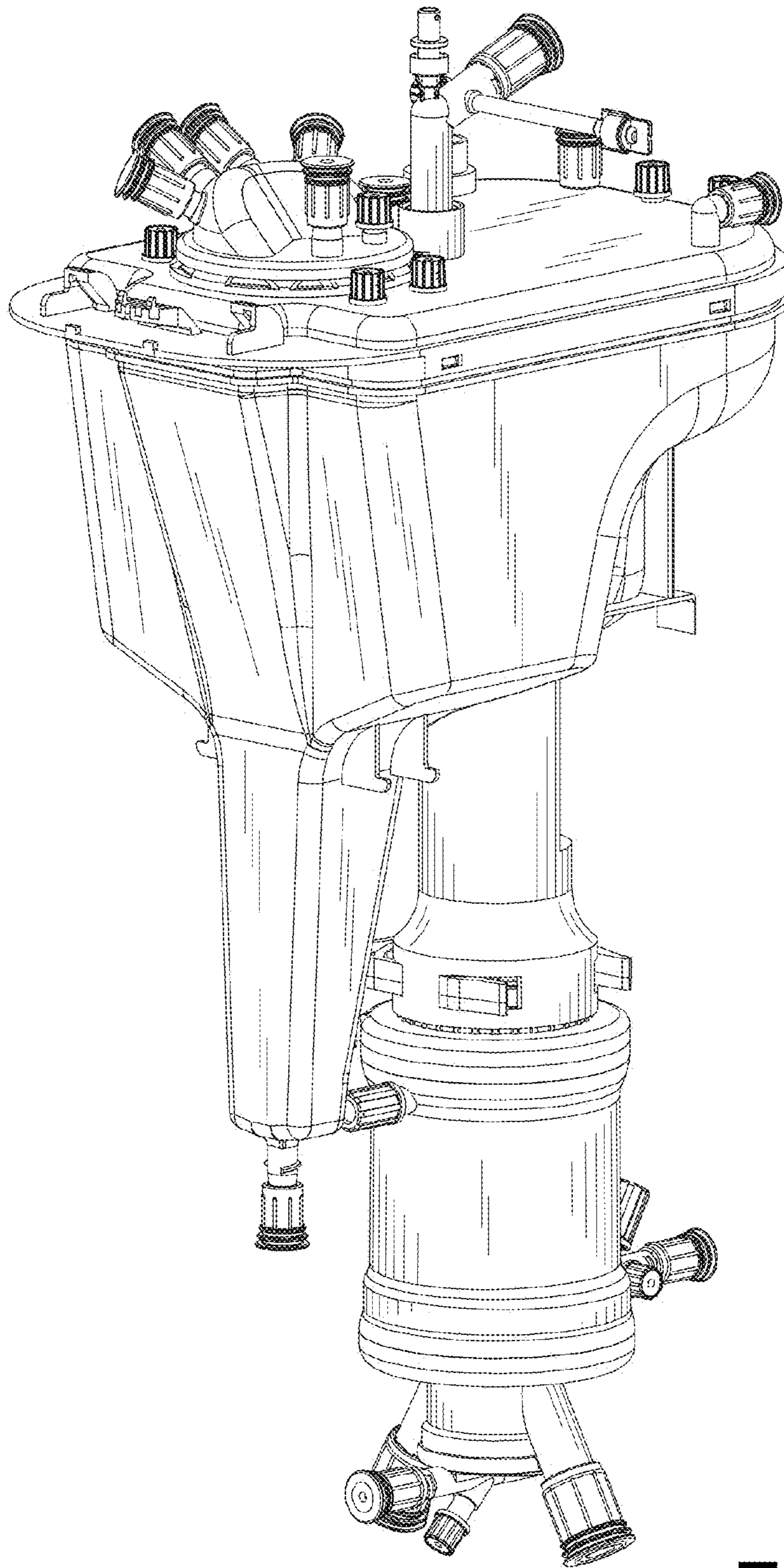


FIG.2

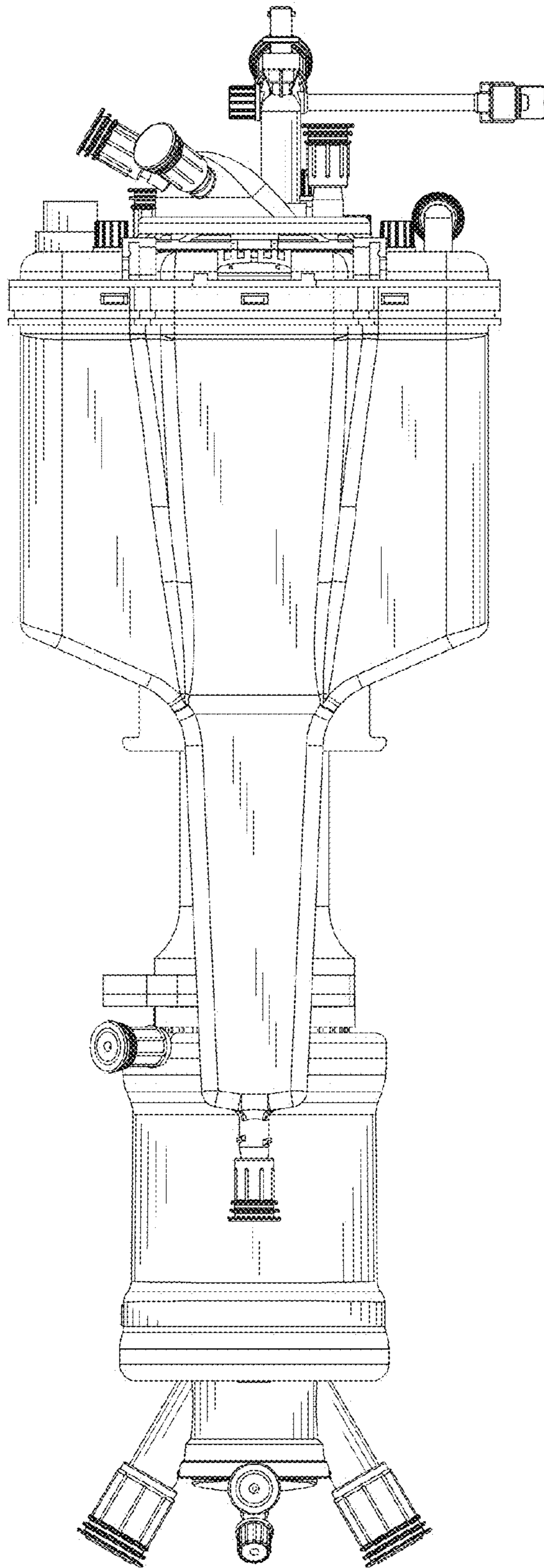


FIG.3

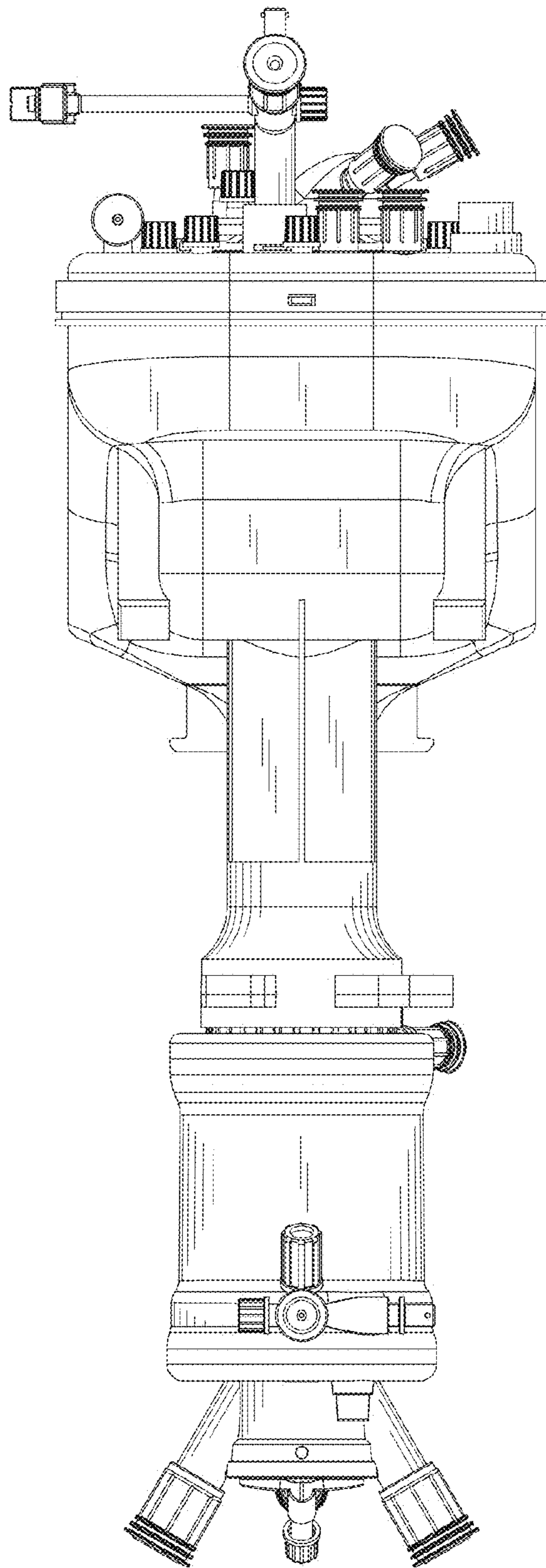


FIG.4

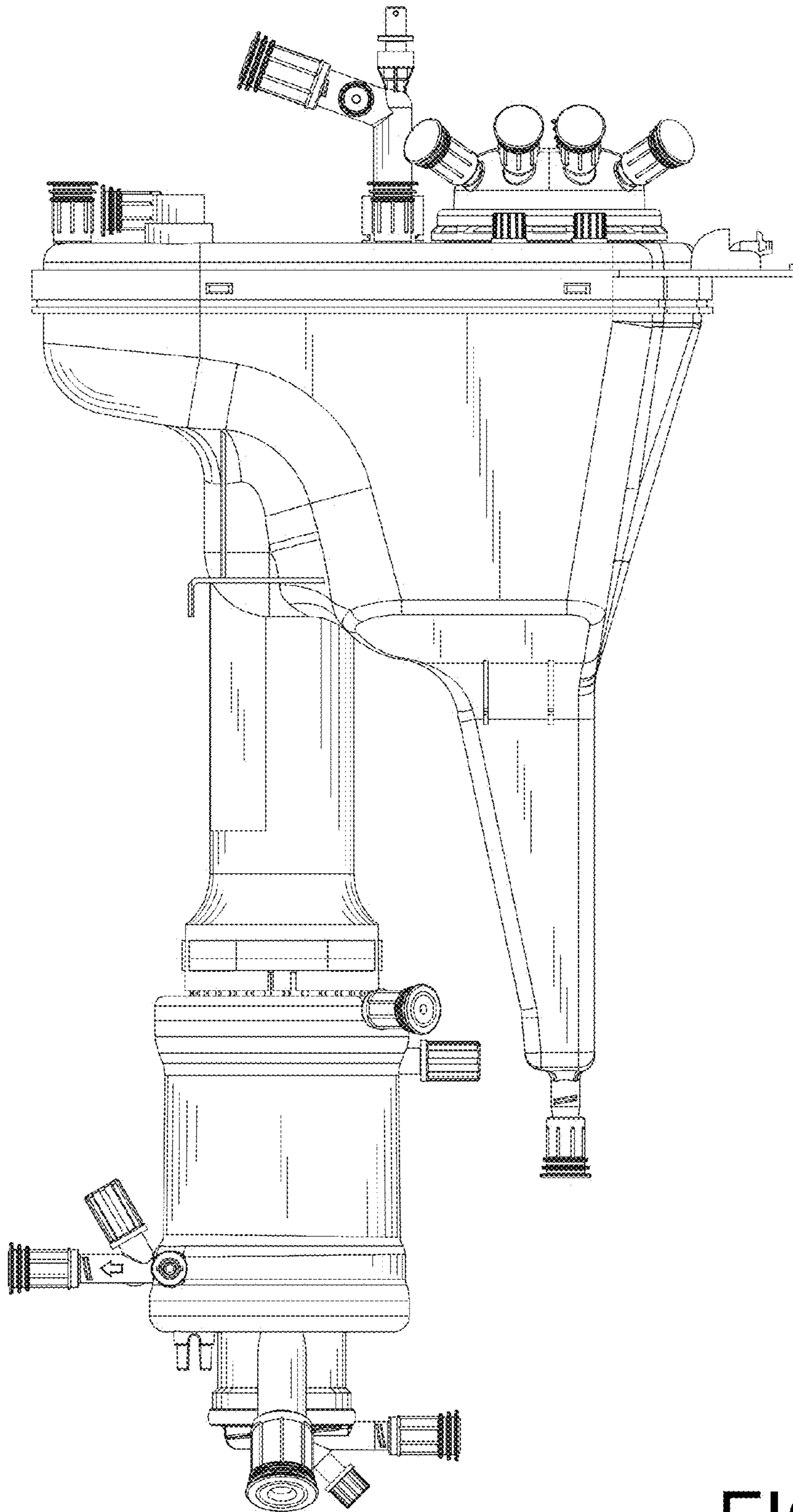


FIG.5



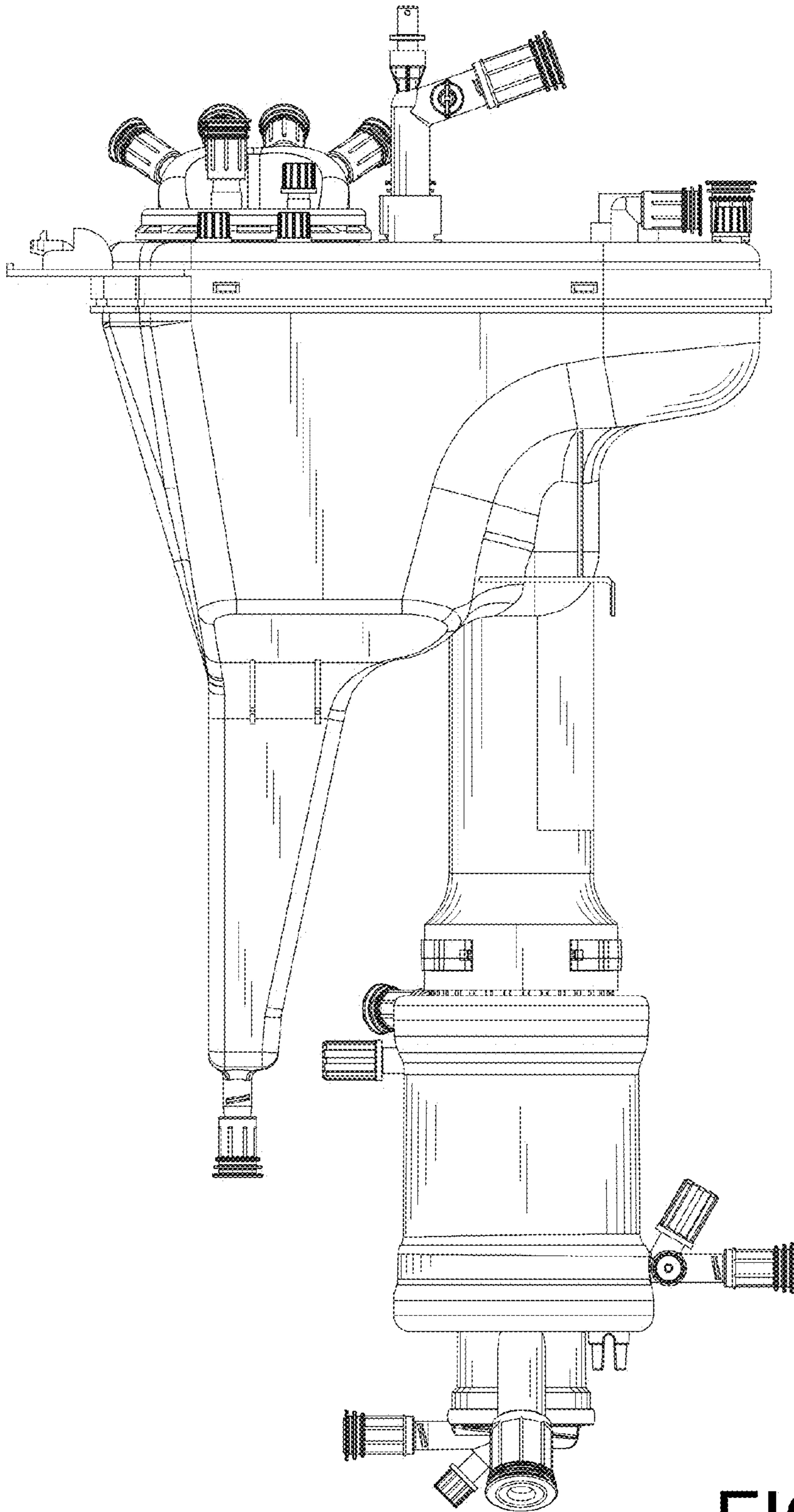


FIG.6

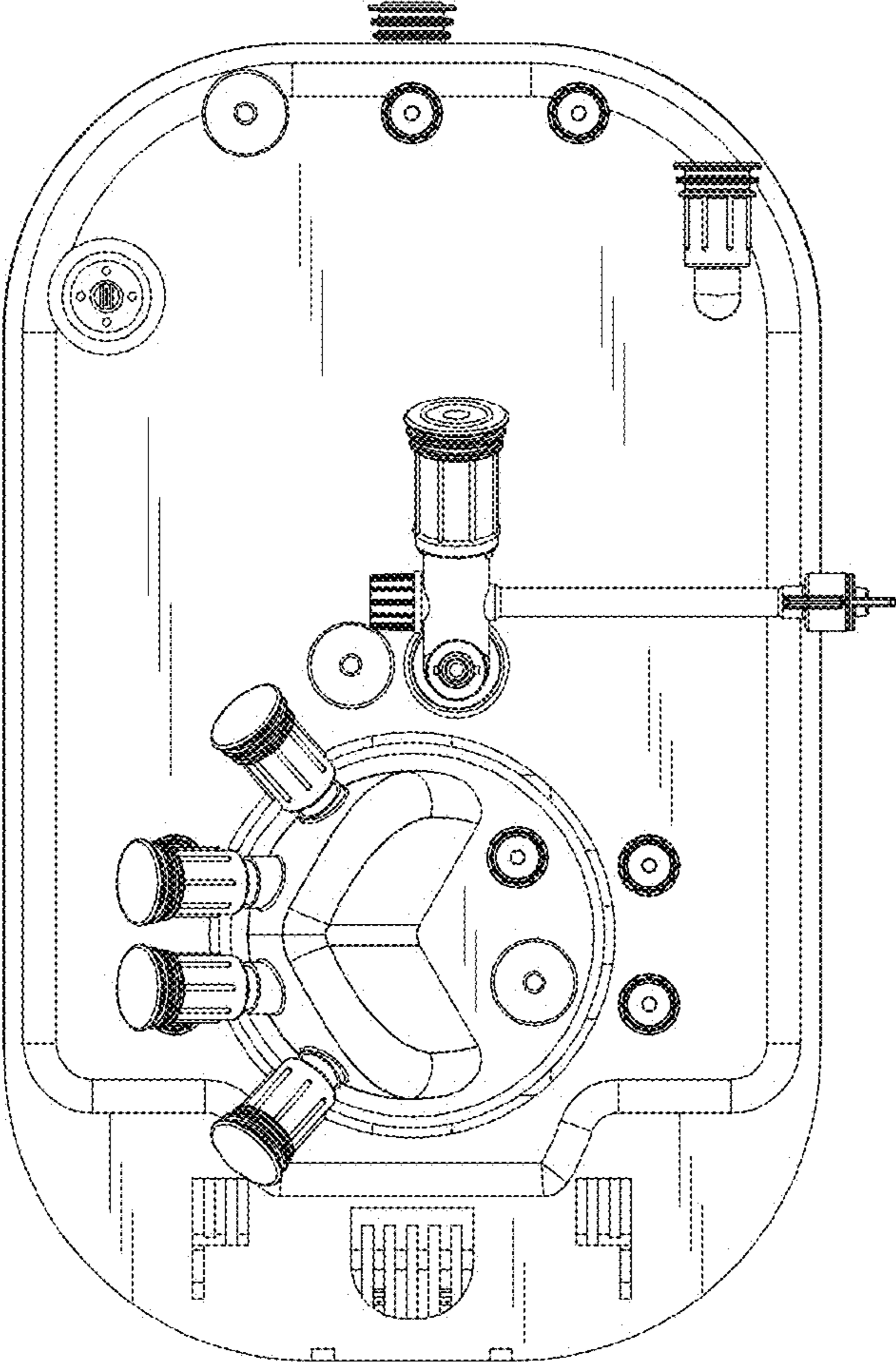


FIG.7



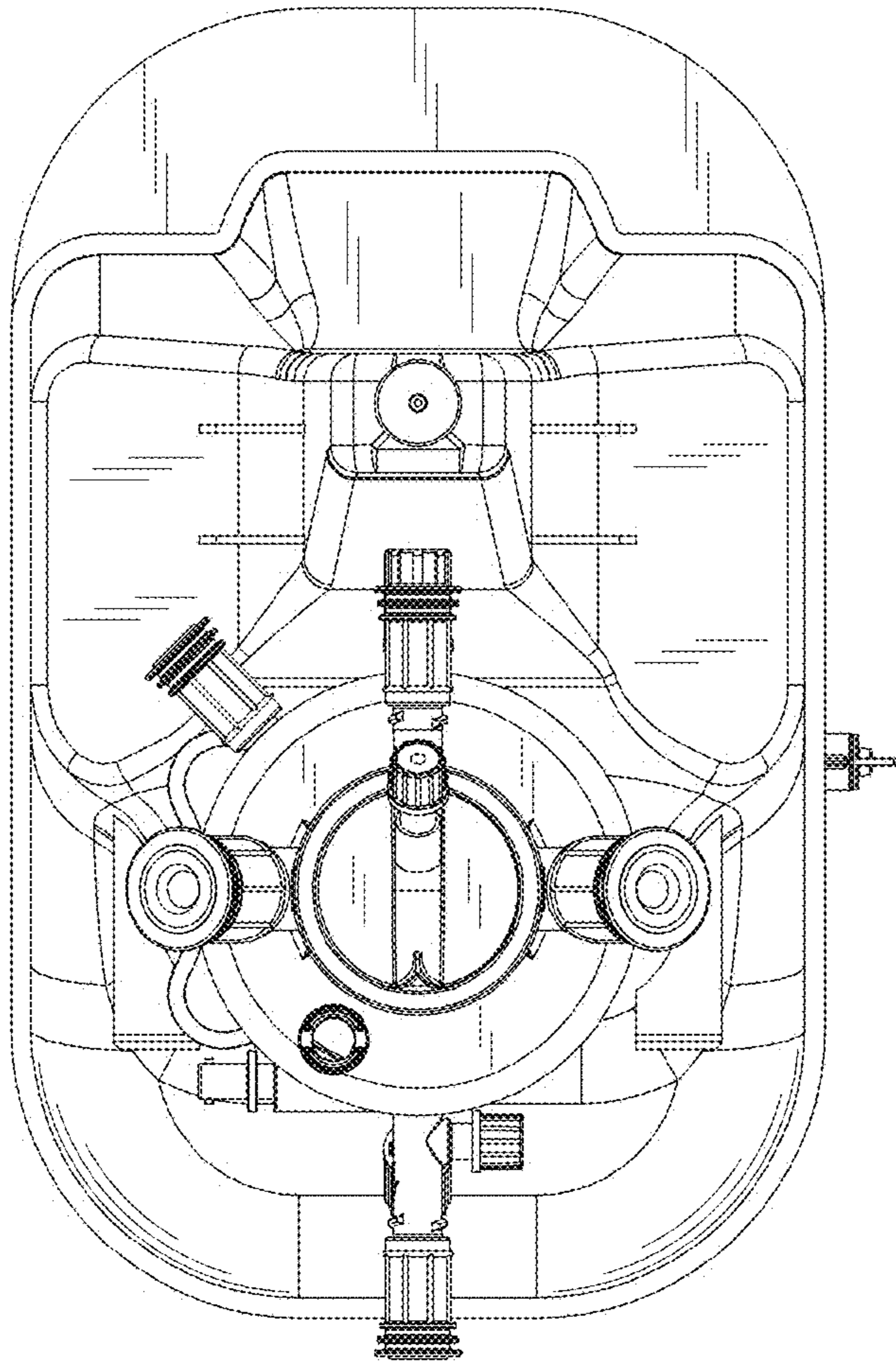


FIG.8