

US00D746470S

(12) **United States Design Patent**  
**Kobayashi et al.**

(10) **Patent No.:** **US D746,470 S**  
(45) **Date of Patent:** **\*\* Dec. 29, 2015**

(54) **HOLDER FOR BLOOD RESERVOIR**

D251,440 S \* 3/1979 Inoue ..... D24/169

(71) Applicant: **NIPRO CORPORATION**, Osaka-shi,  
Osaka (JP)

(Continued)  
*Primary Examiner* — Anhdao Doan

(72) Inventors: **Susumu Kobayashi**, Osaka (JP);  
**Kazuhisa Ishihara**, Osaka (JP); **Yuji**  
**Kuwahara**, Osaka (JP); **Keisuke**  
**Hirama**, Osaka (JP); **Eiichi Koiso**,  
Osaka (JP); **Shunsuke Kikumoto**, Osaka  
(JP); **Yukinori Ebara**, Osaka (JP);  
**Naoaki Yasumura**, Osaka (JP)

(74) *Attorney, Agent, or Firm* — Birch, Stewart, Kolasch &  
Birch, LLP

(73) Assignee: **NIPRO CORPORATION**, Osaka-Shi  
(JP)

(57) **CLAIM**

The ornamental design for a holder for blood reservoir, as  
shown and described.

(\*\*) Term: **14 Years**

(21) Appl. No.: **29/497,961**

(22) Filed: **Jul. 30, 2014**

(30) **Foreign Application Priority Data**

Jan. 31, 2014 (JP) ..... 2014-002012  
Jan. 31, 2014 (JP) ..... 2014-002016  
Jan. 31, 2014 (JP) ..... 2014-002017

(51) **LOC (10) Cl.** ..... **24-01**

(52) **U.S. Cl.**  
USPC ..... **D24/169**; D24/128

(58) **Field of Classification Search**  
USPC ..... D24/107, 108, 111, 121, 128, 169;  
604/4.01, 5.01, 6.01, 6.15, 6.14, 413,  
604/6.09, 403; 422/44, 45, 46, 47; 210/188,  
210/342, 315; 96/179; 261/DIG. 28; 435/2,  
435/45, 47; 128/DIG. 3; 165/74; D8/373,  
D8/394; 248/311.2, 231.7, 231.5, 230,  
248/311.3, 318, 249  
CPC ..... A61M 1/3627; A61M 1/3632; A61M  
1/1698; A61M 2209/082; A61M 2209/084  
See application file for complete search history.

**DESCRIPTION**

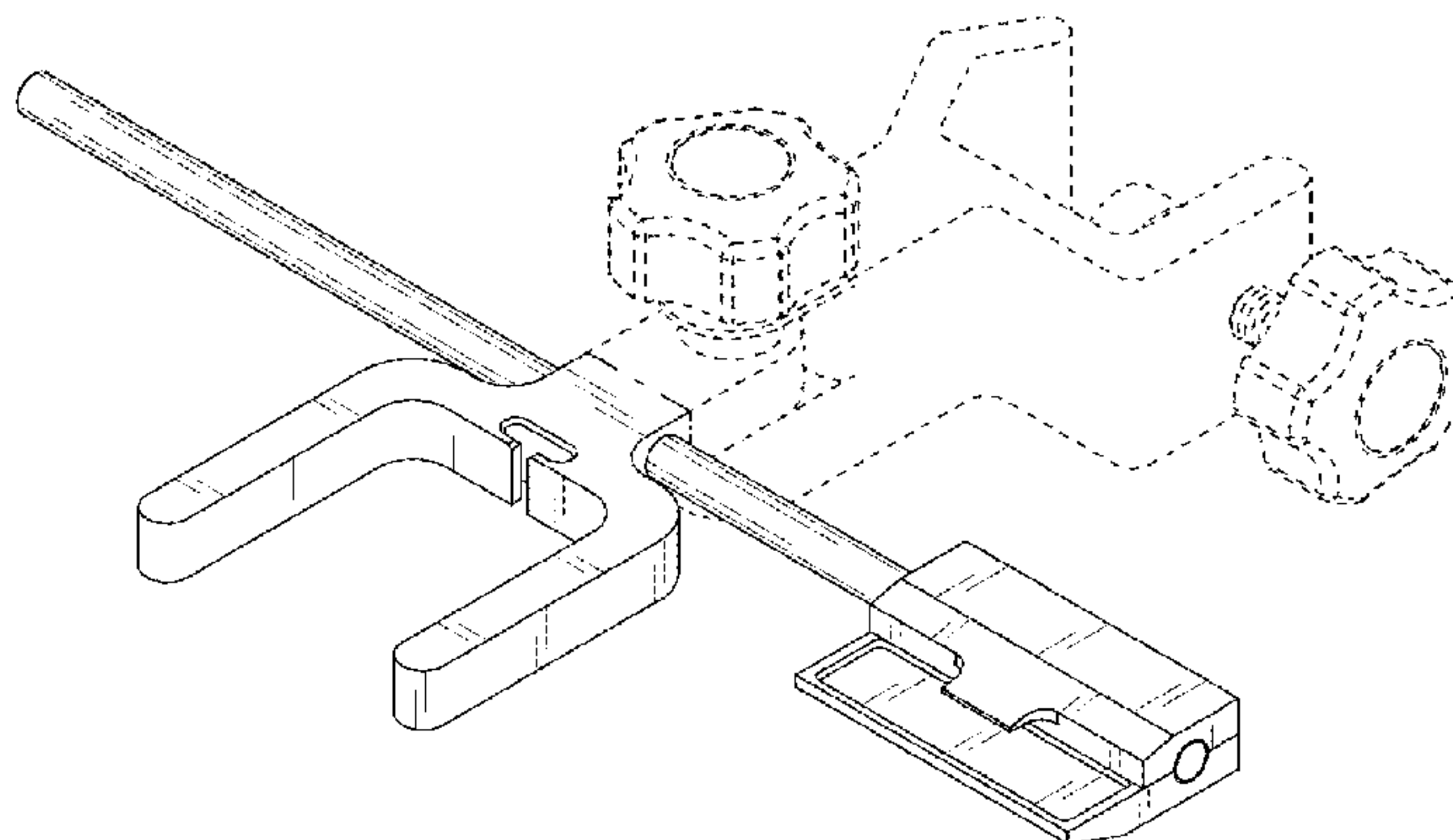
FIG. 1 is a perspective view of a holder for blood reservoir  
showing a first embodiment of our new design;  
FIG. 2 is a front view thereof;  
FIG. 3 is a rear view thereof;  
FIG. 4 is a left side view thereof;  
FIG. 5 is a right side view thereof;  
FIG. 6 is a top view thereof;  
FIG. 7 is a bottom view thereof;  
FIG. 8 is a perspective view of a holder for blood reservoir  
showing a second embodiment of our new design;  
FIG. 9 is a front view thereof;  
FIG. 10 is a rear view thereof;  
FIG. 11 is a left side view thereof;  
FIG. 12 is a right side view thereof;  
FIG. 13 is a top view thereof;  
FIG. 14 is a bottom view thereof;  
FIG. 15 is a perspective view of a holder for blood reservoir  
showing a third embodiment of our new design;  
FIG. 16 is a front view thereof;  
FIG. 17 is a rear view thereof;  
FIG. 18 is a left side view thereof;  
FIG. 19 is a right side view thereof;  
FIG. 20 is a top view thereof; and,  
FIG. 21 is a bottom view thereof.  
The dot-dash lines immediately adjacent the shaded areas  
represent the bounds of the claim, and all other broken lines  
are included for the purpose of illustrating unclaimed por-  
tions of the holder for blood reservoir. None of the broken  
lines form a part of the claimed design.

(56) **References Cited**

U.S. PATENT DOCUMENTS

D250,631 S \* 12/1978 Stephenson ..... D34/2

**1 Claim, 21 Drawing Sheets**



# US D746,470 S

Page 2

---

(56)

## References Cited

### U.S. PATENT DOCUMENTS

D291,650 S \* 9/1987 Monzen ..... D24/128  
5,049,146 A \* 9/1991 Bringham ..... A61M 1/3627  
128/DIG. 3  
6,045,752 A \* 4/2000 Elgas ..... A61M 1/1698  
261/DIG. 28

6,105,912 A \* 8/2000 Lindsay ..... A61M 1/1698  
248/223.41  
D592,304 S \* 5/2009 Kuehfuss ..... D24/128  
D611,152 S \* 3/2010 Updyke ..... D24/169  
D626,221 S \* 10/2010 Lillas ..... D24/128  
D630,731 S \* 1/2011 Schmutzer ..... D24/128

\* cited by examiner

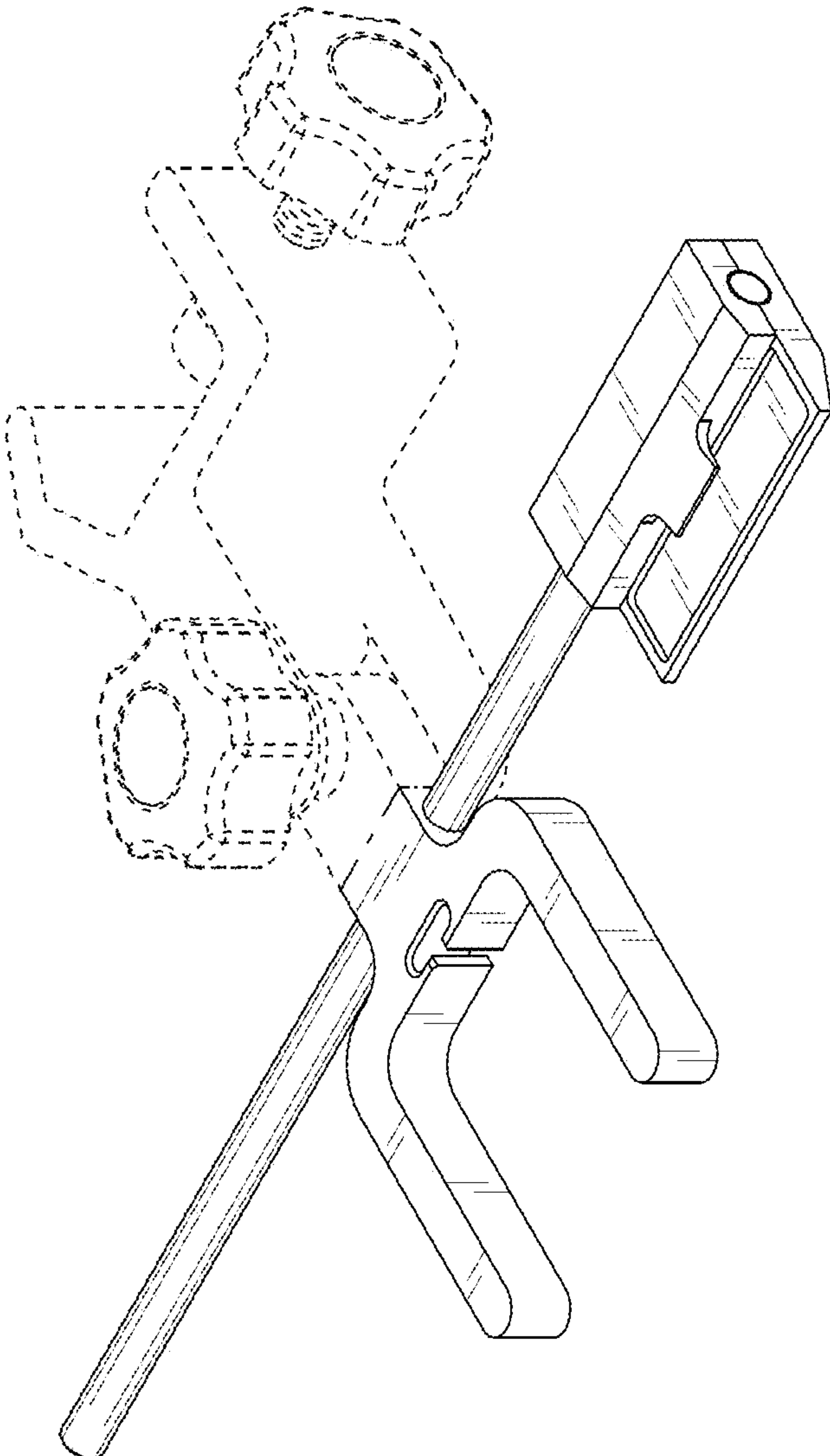


FIG.1

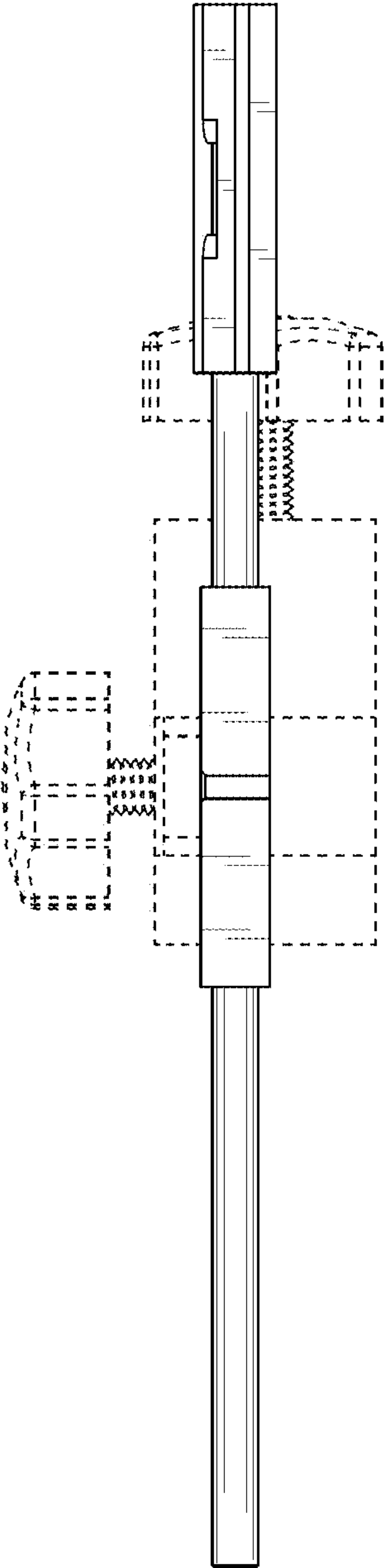


FIG. 2

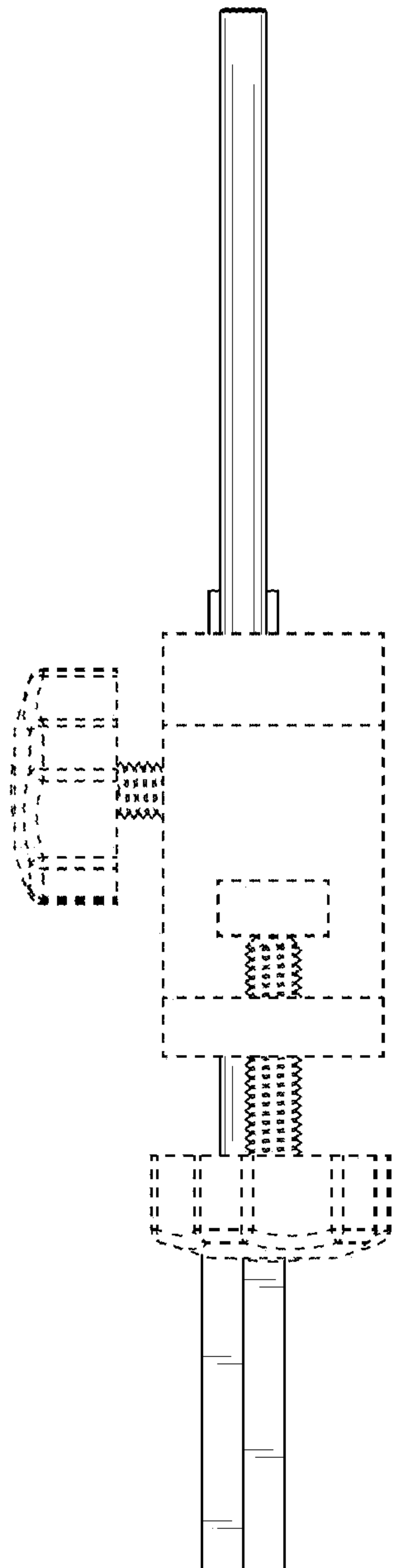
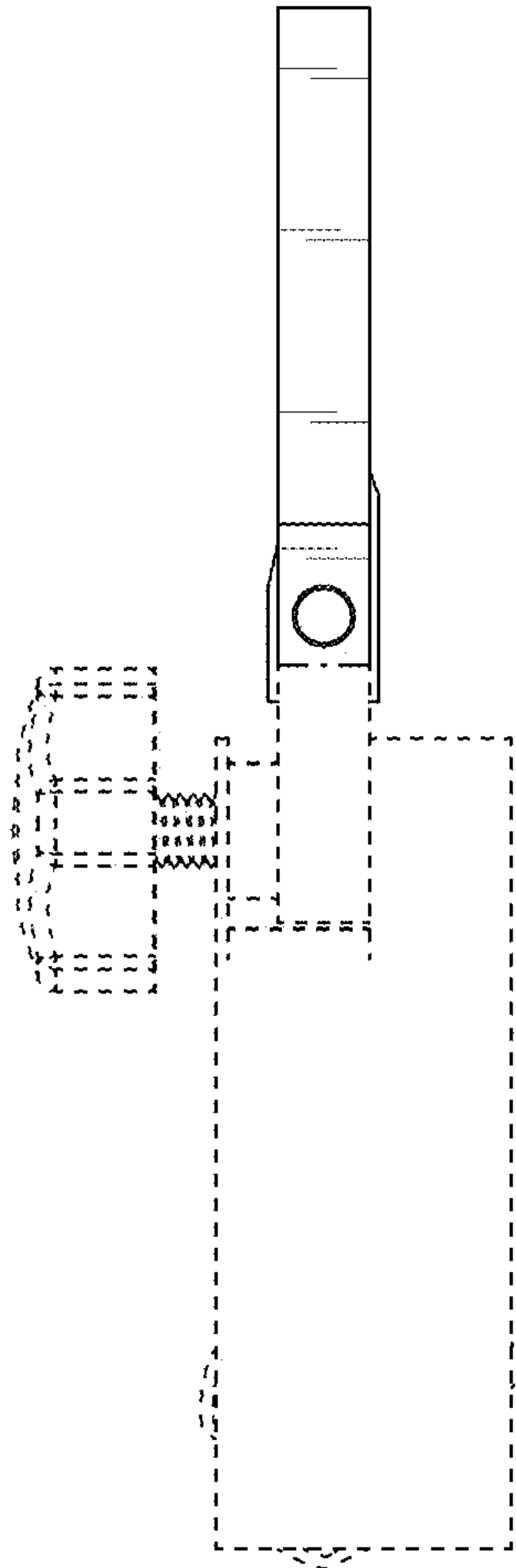


FIG.3

FIG.4



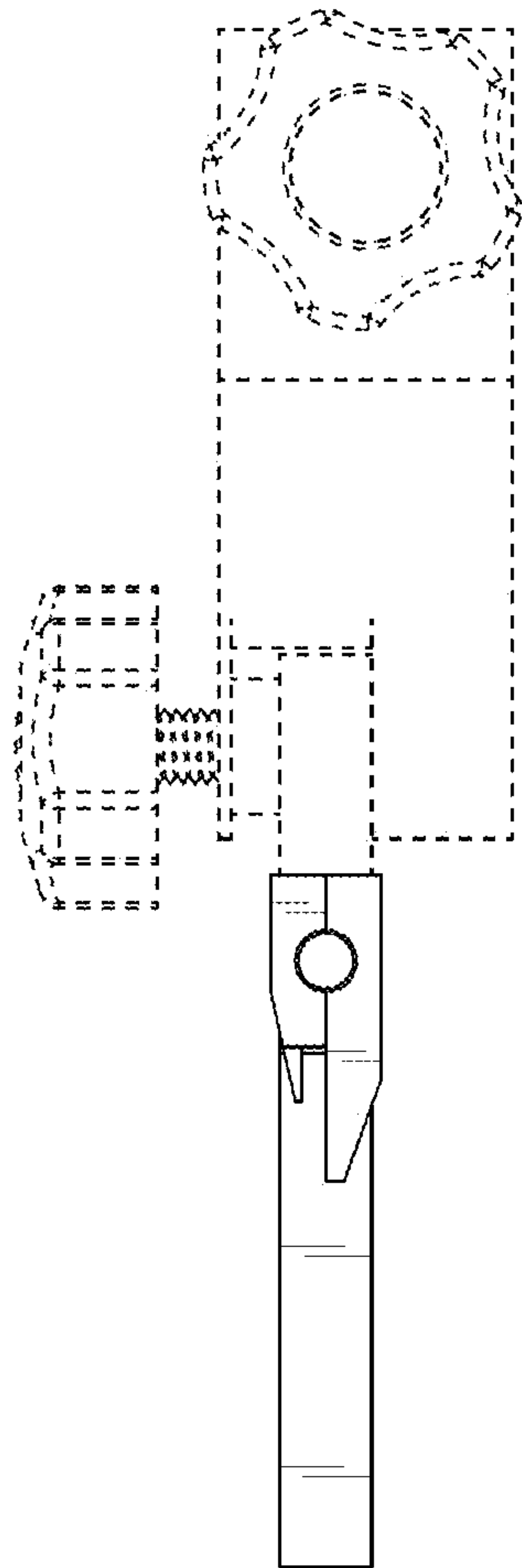


FIG.5

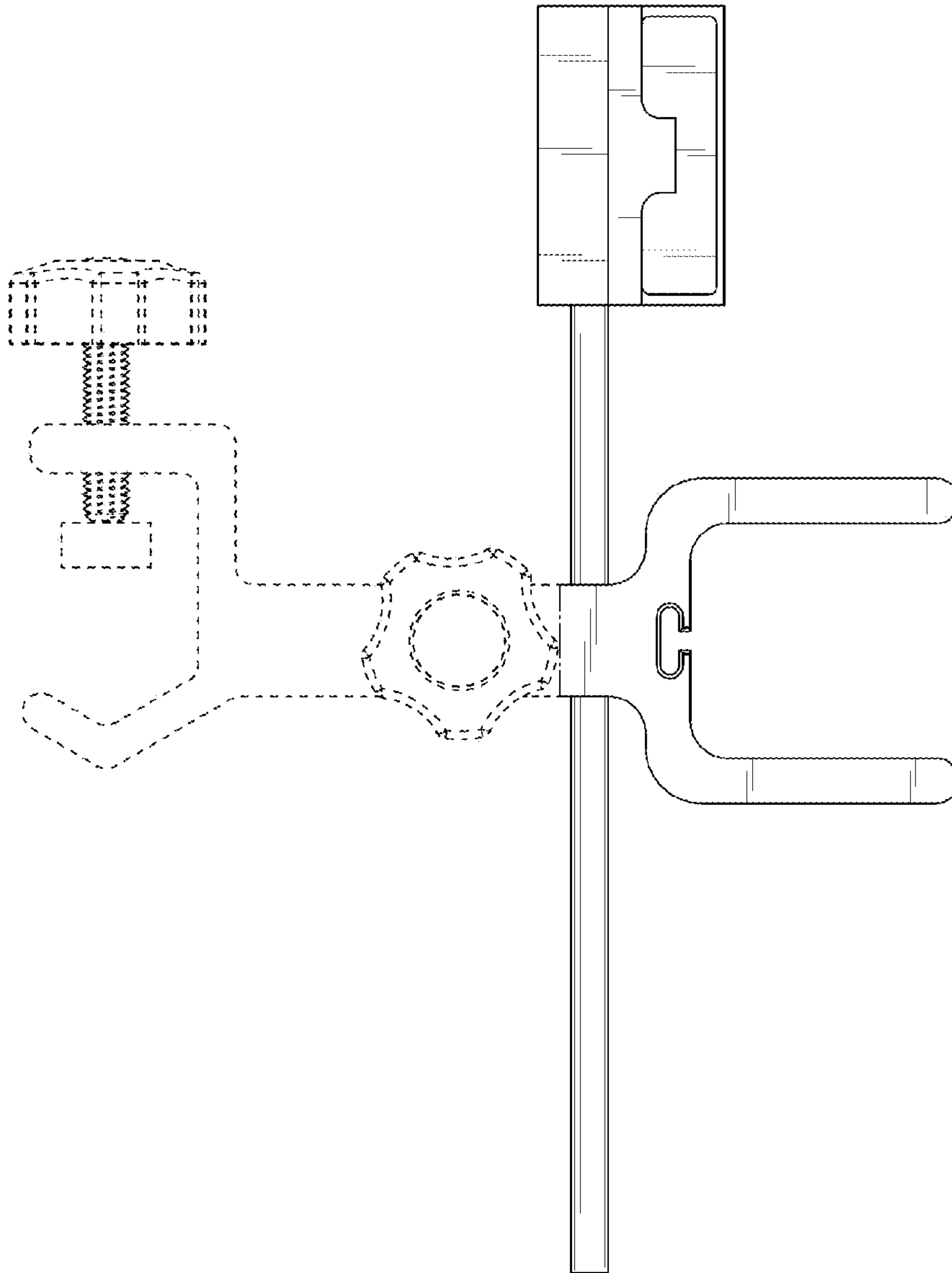


FIG.6



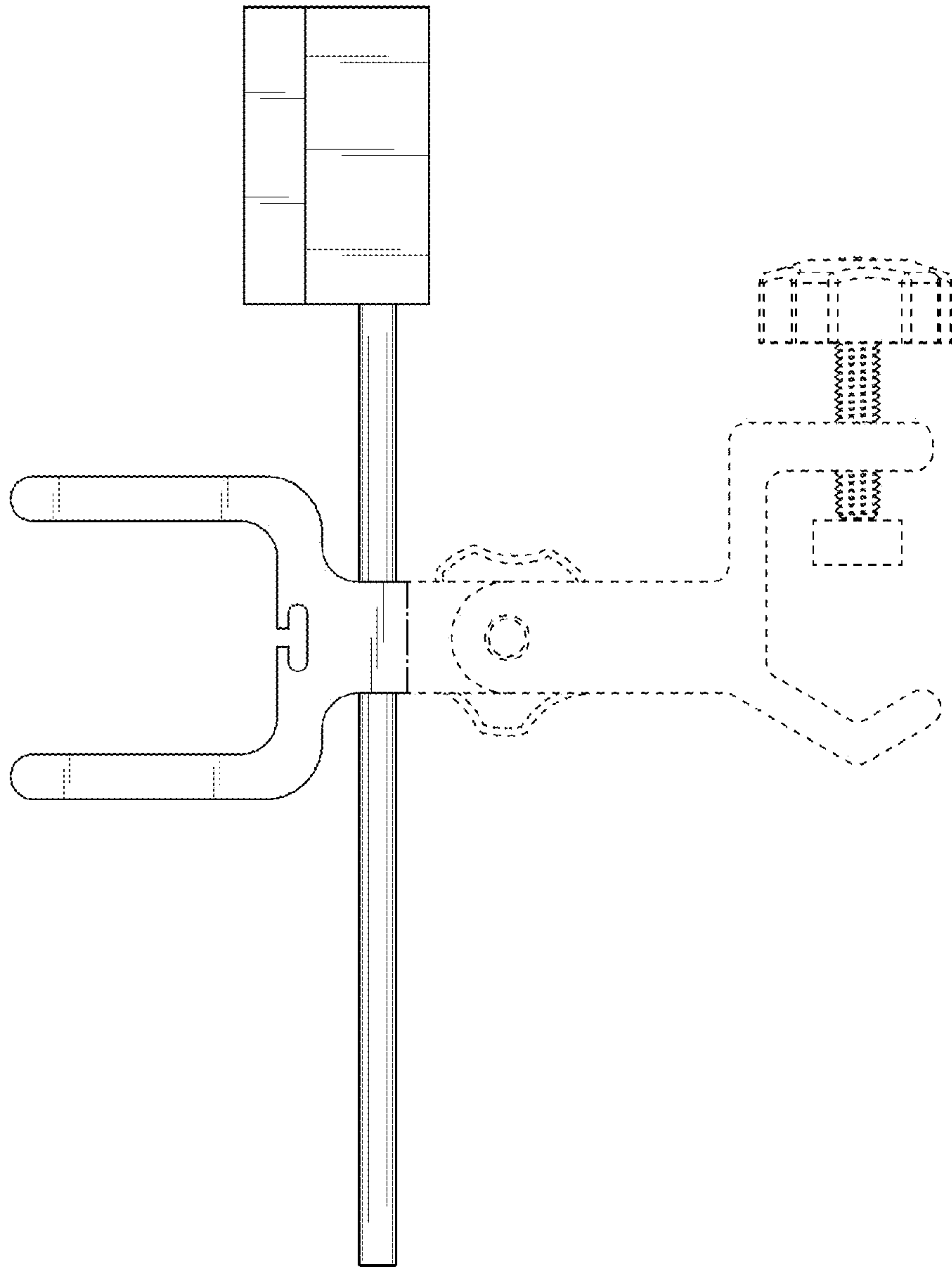


FIG.7

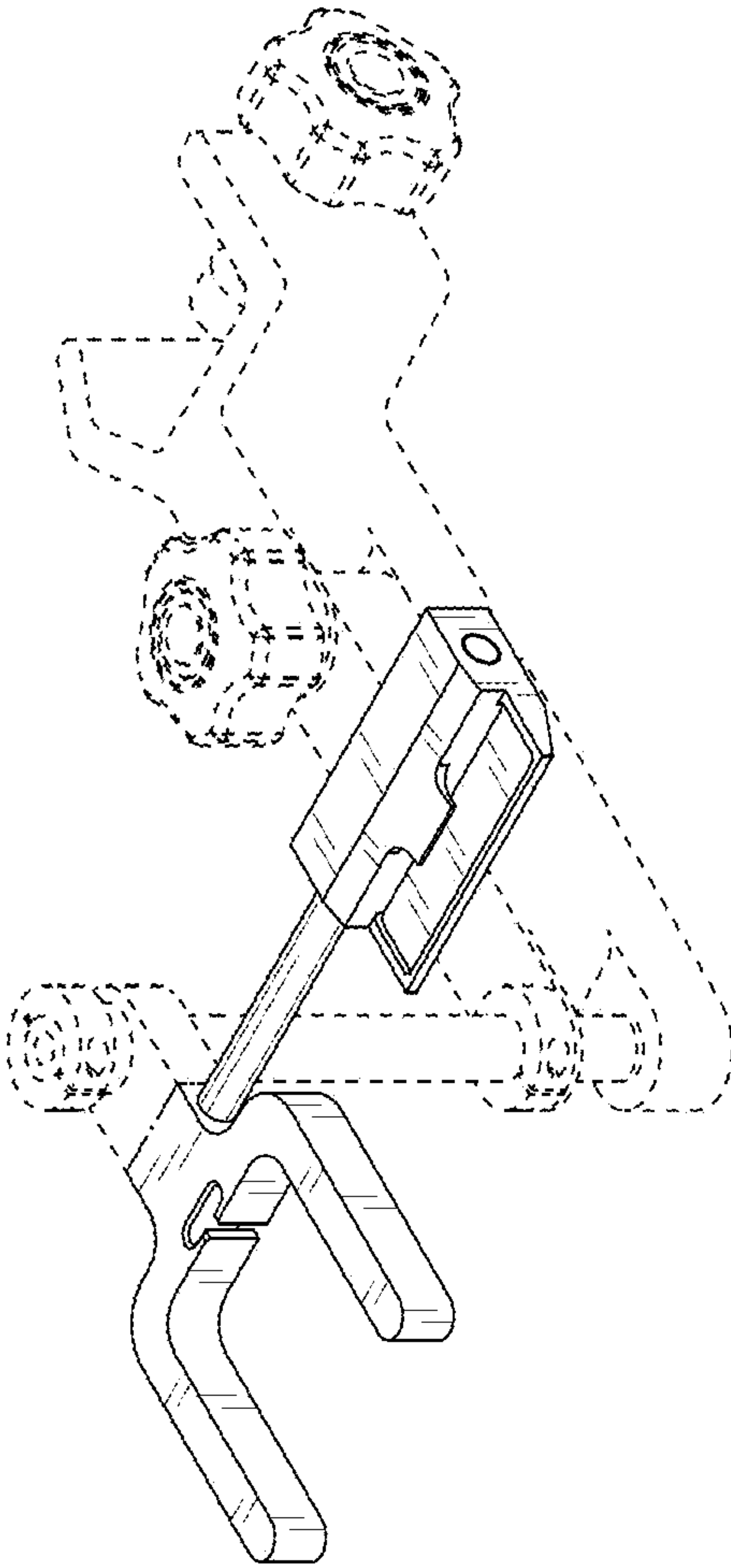


FIG. 8

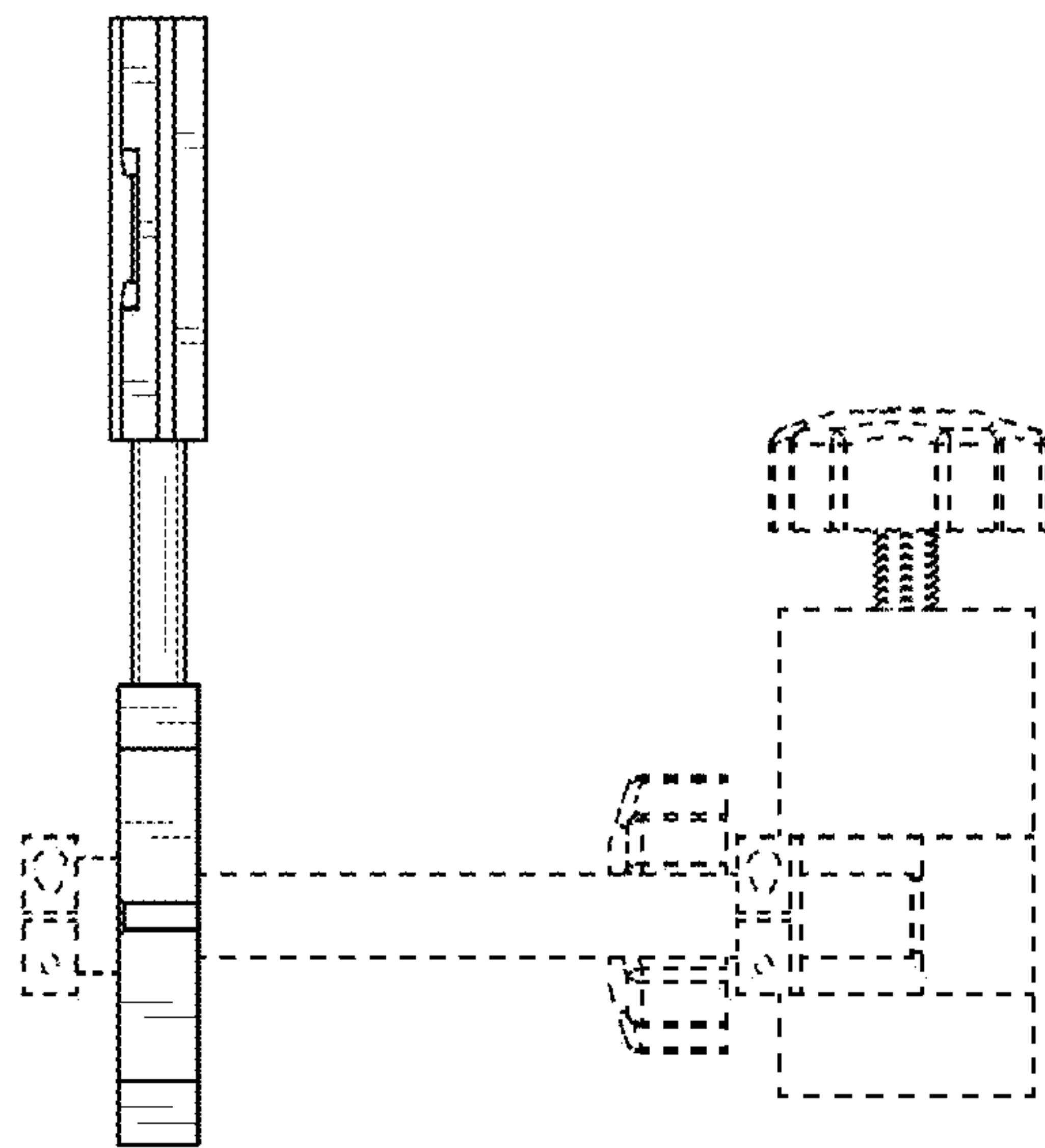


FIG. 9

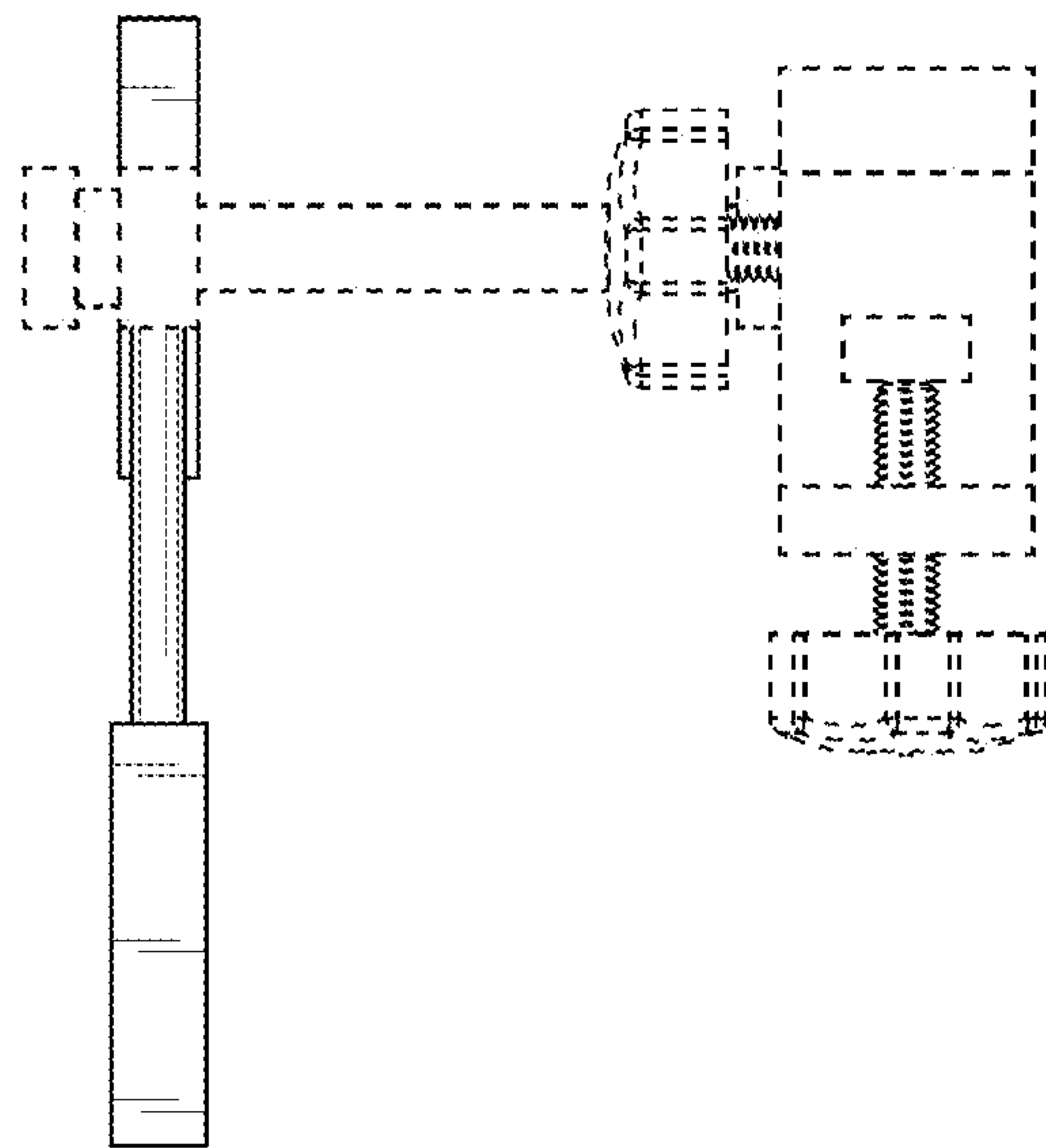


FIG.10

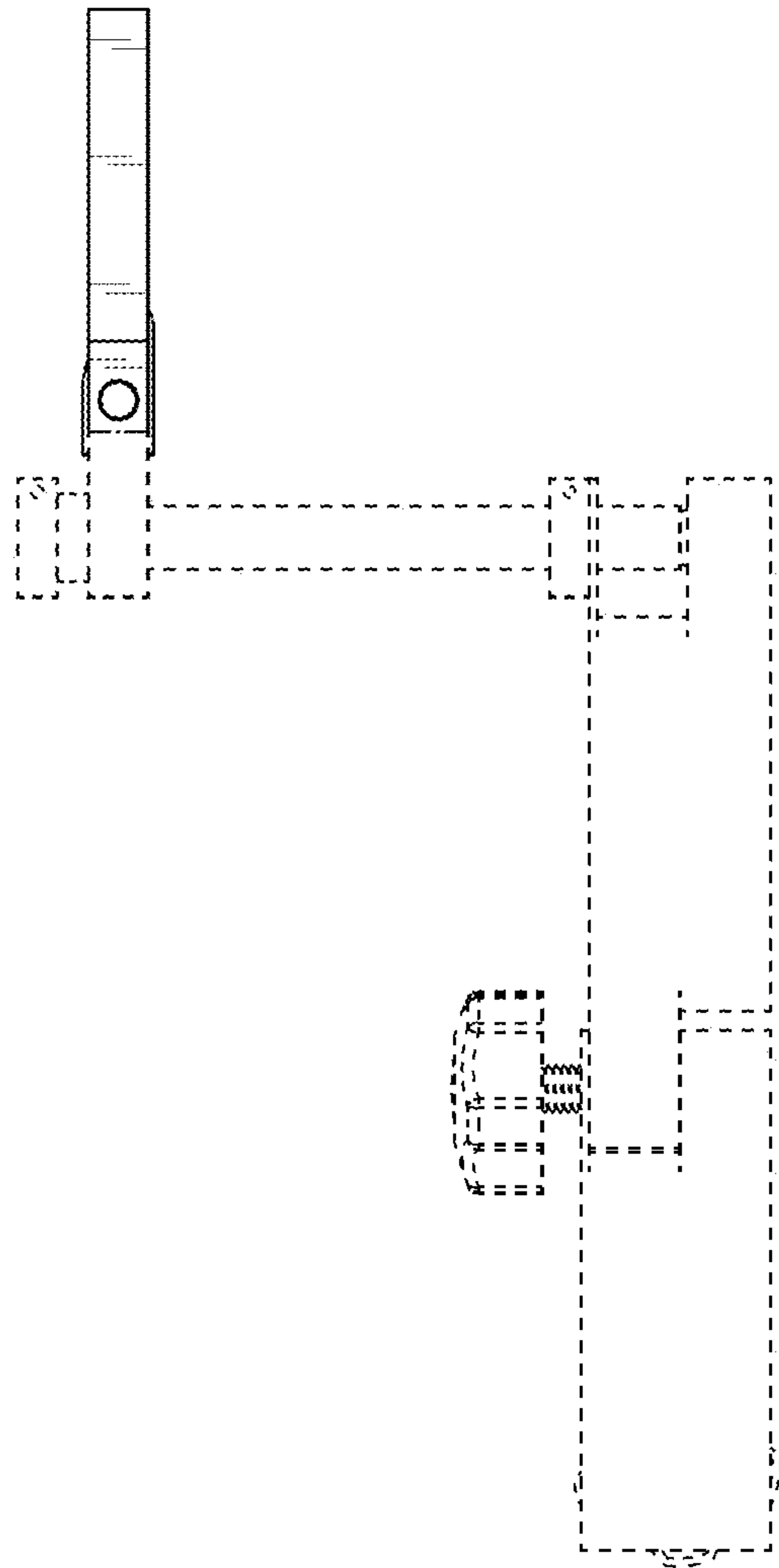


FIG. 11

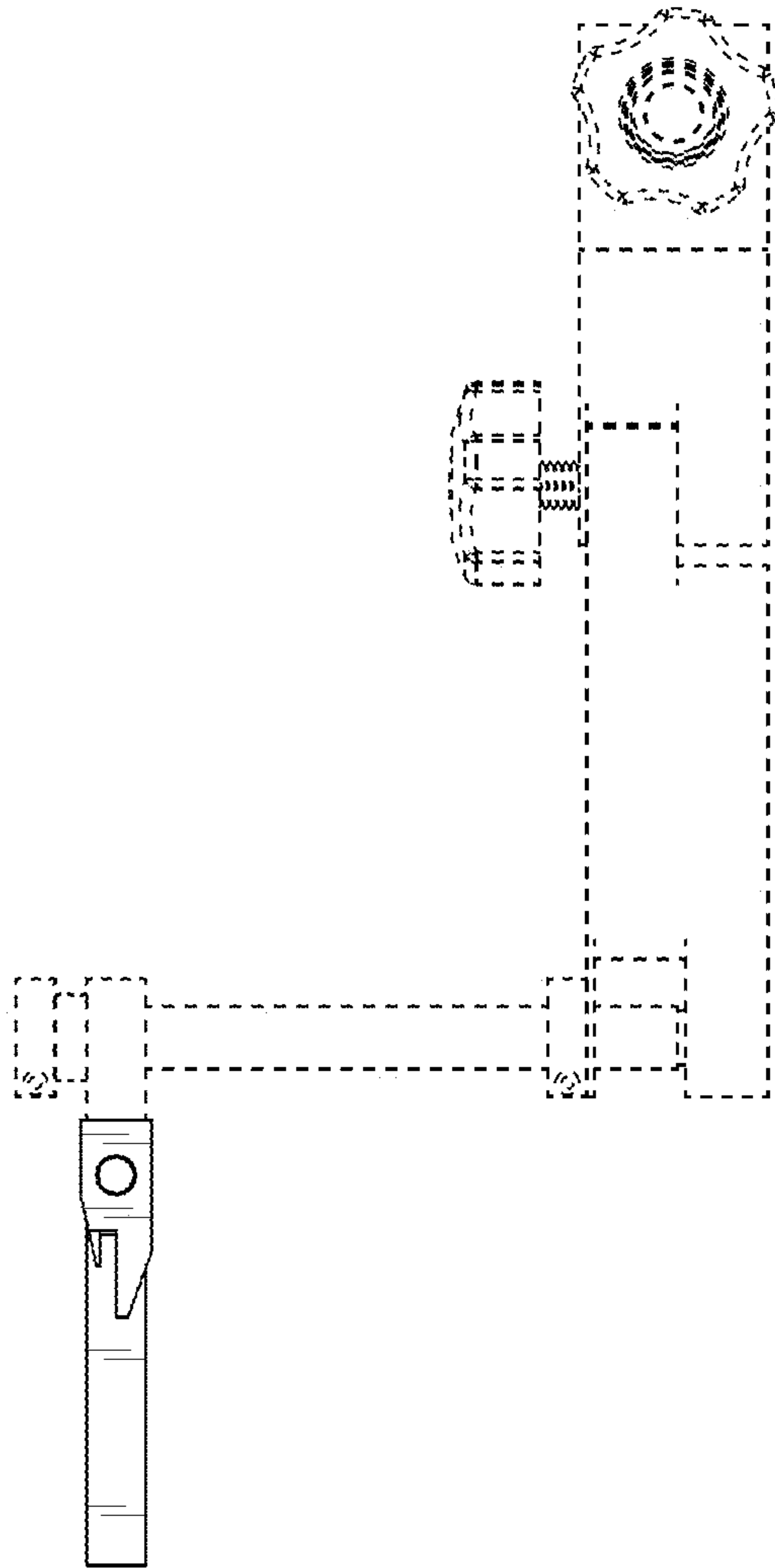


FIG.12

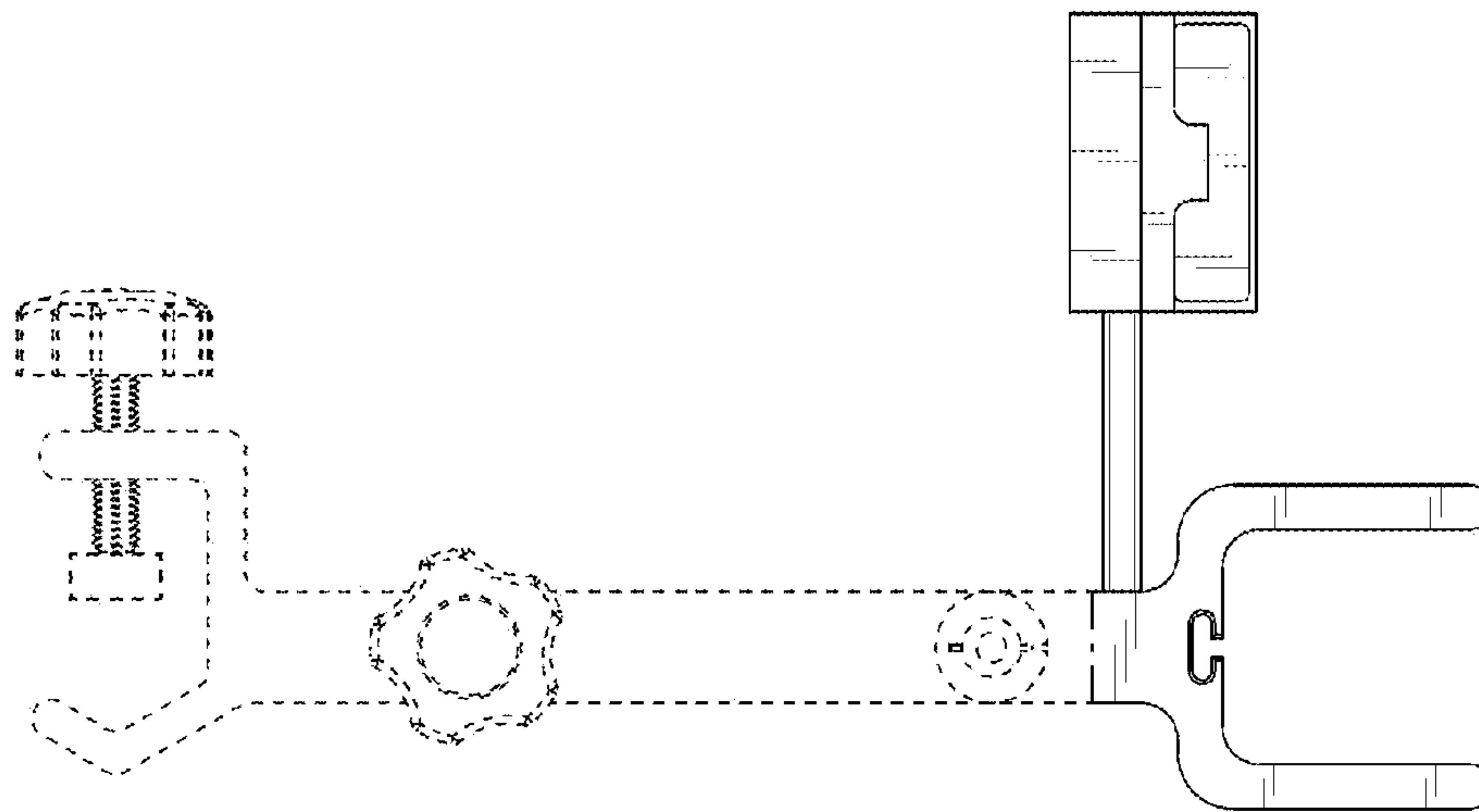


FIG.13

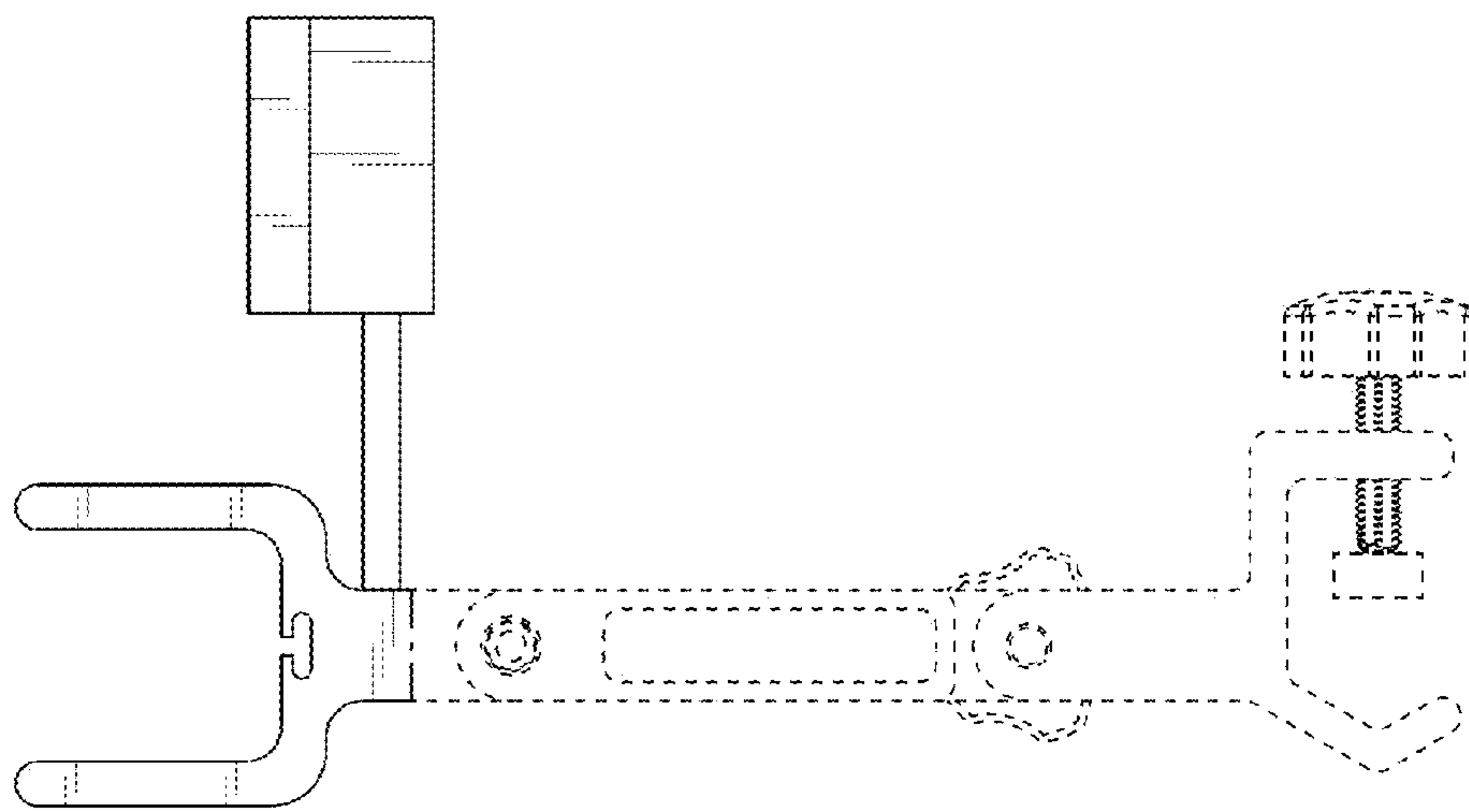


FIG.14



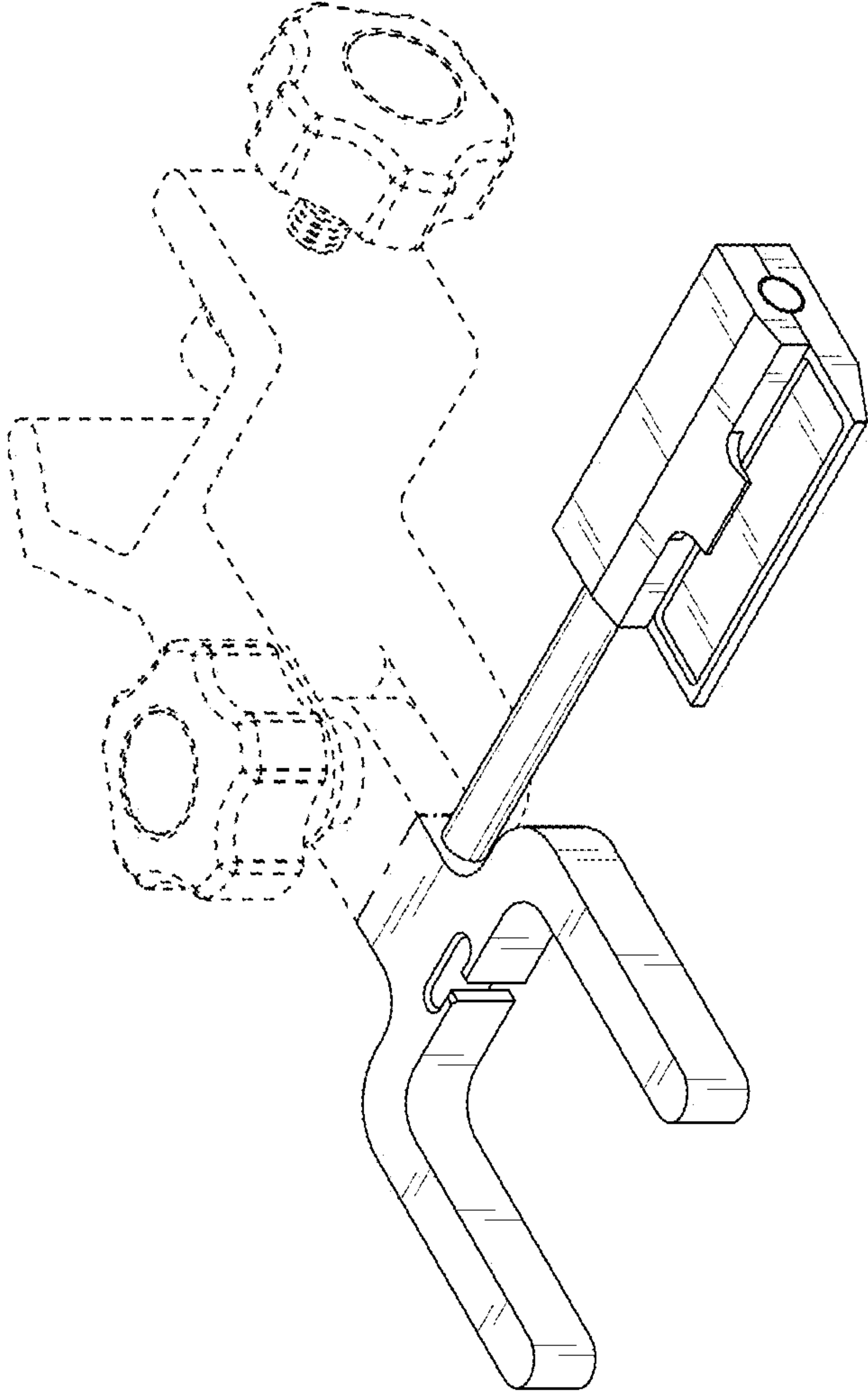


FIG.15

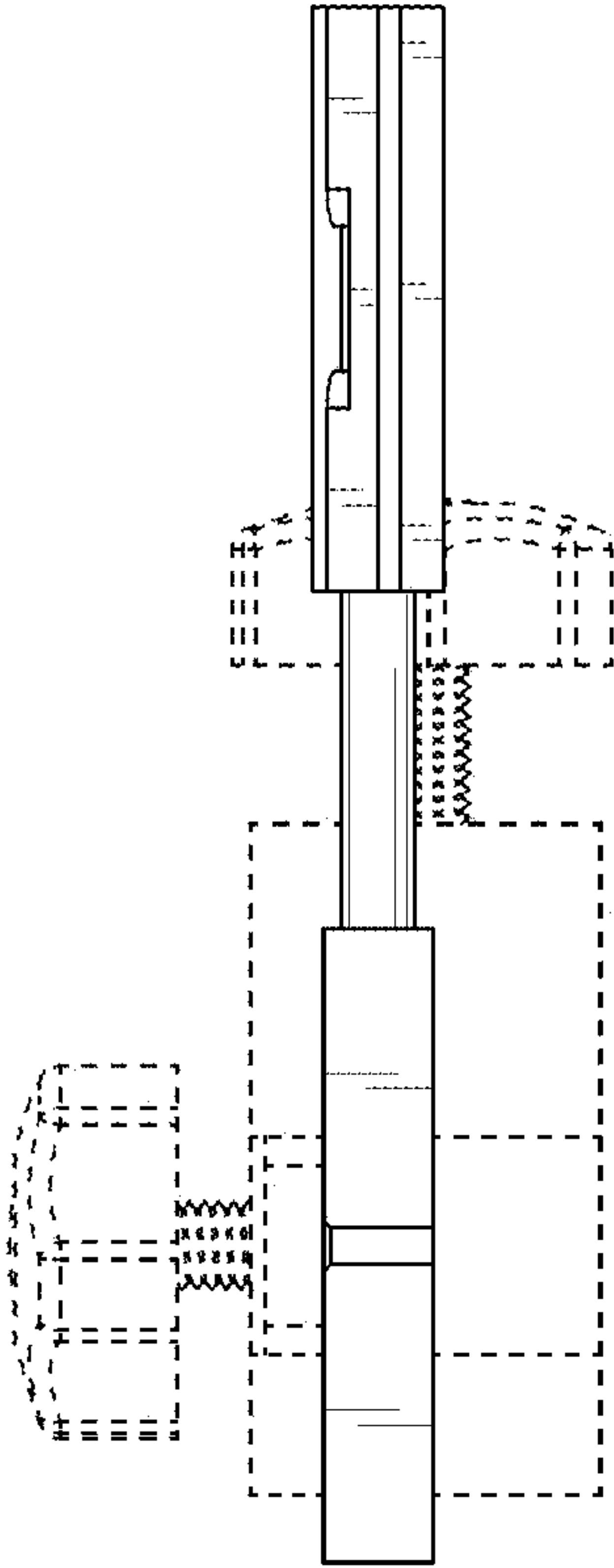


FIG. 16

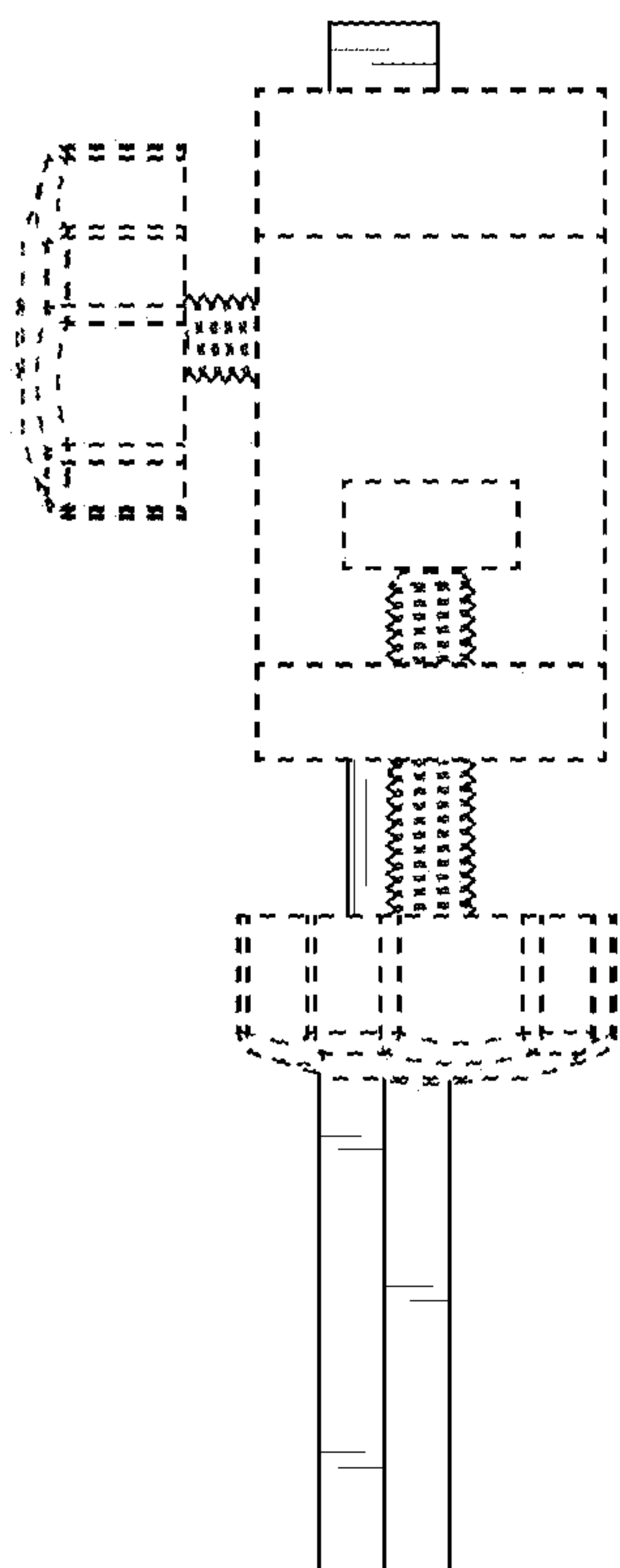


FIG.17

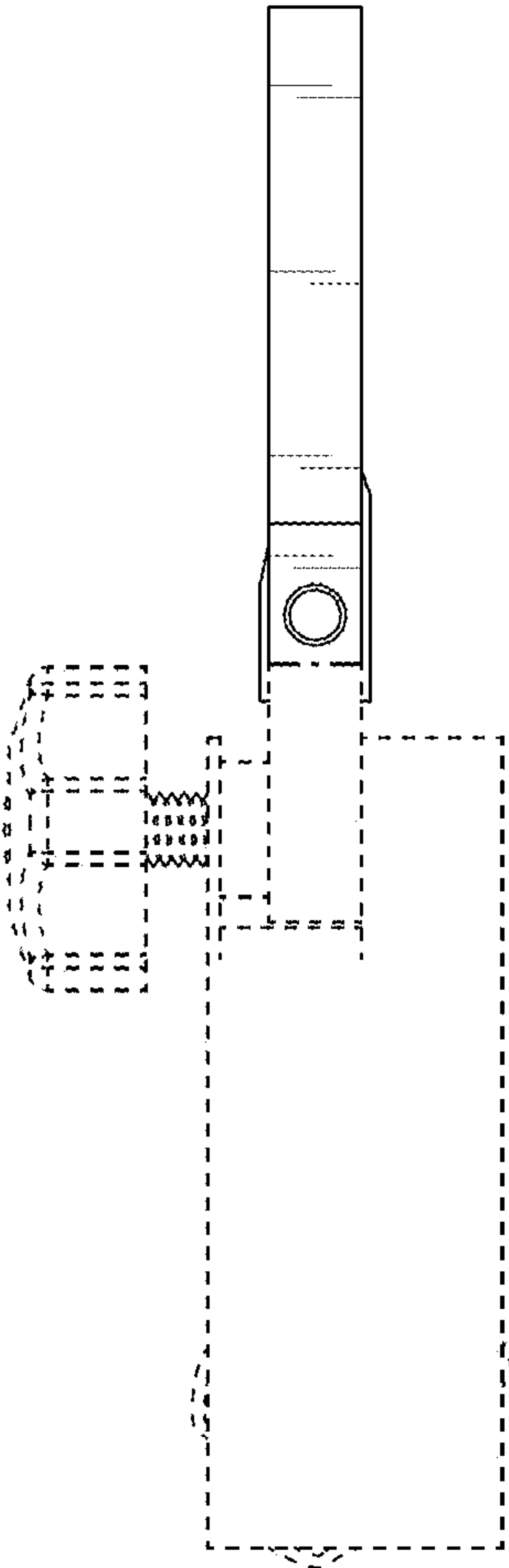


FIG. 18

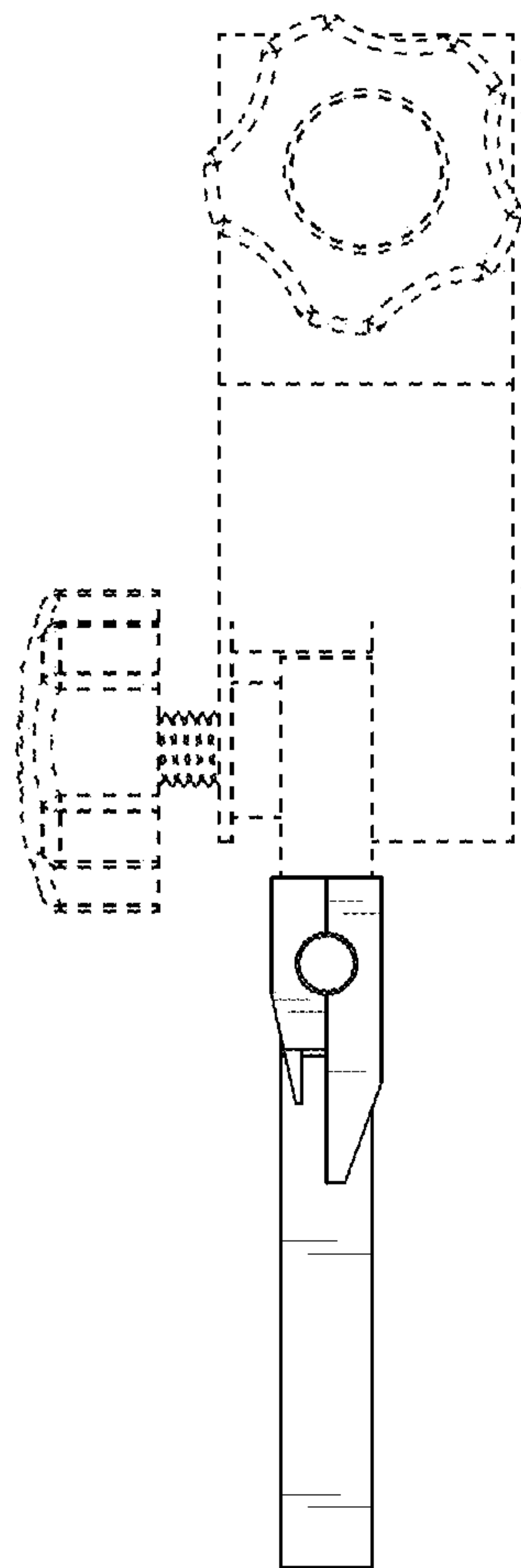


FIG. 19

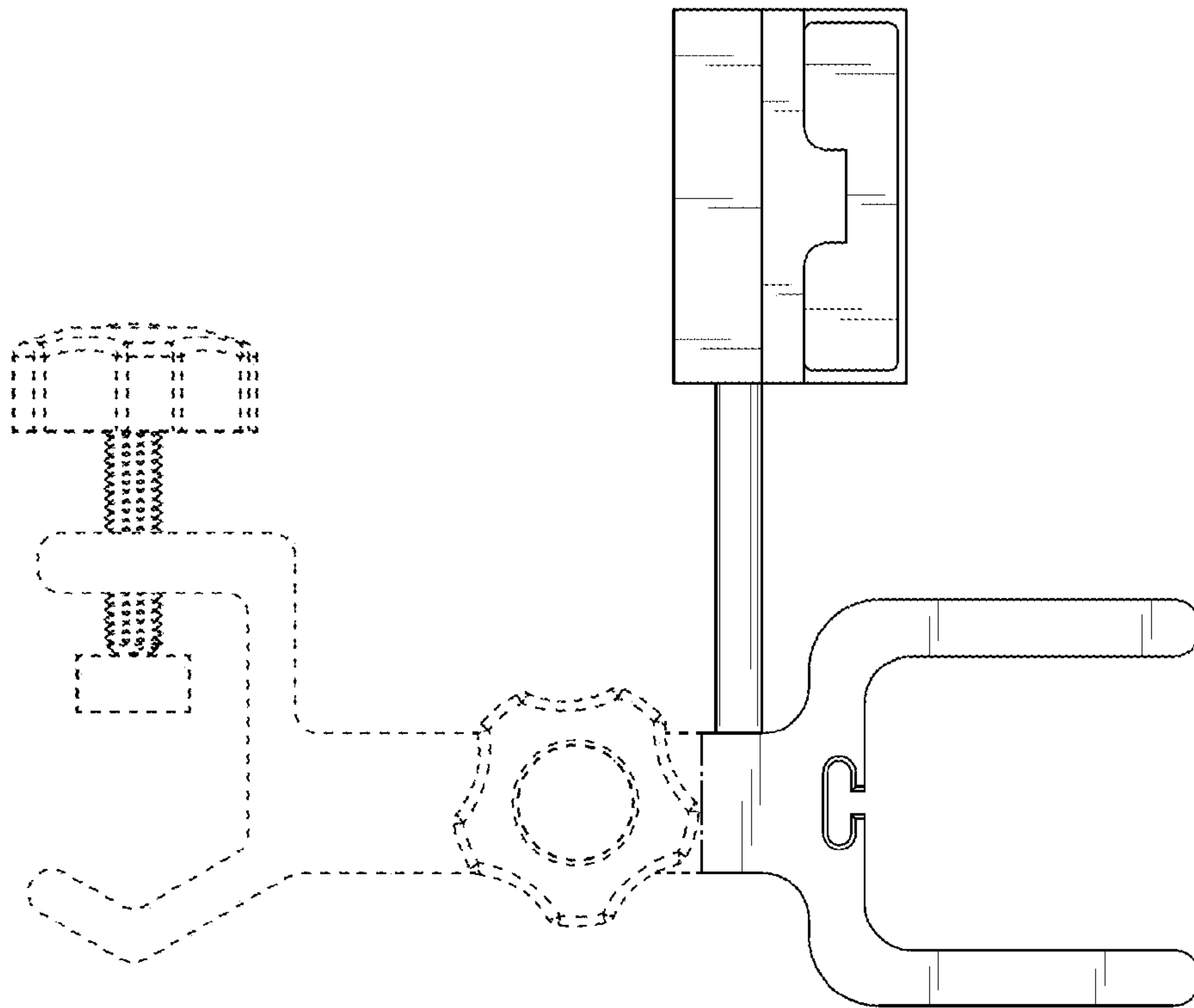


FIG.20

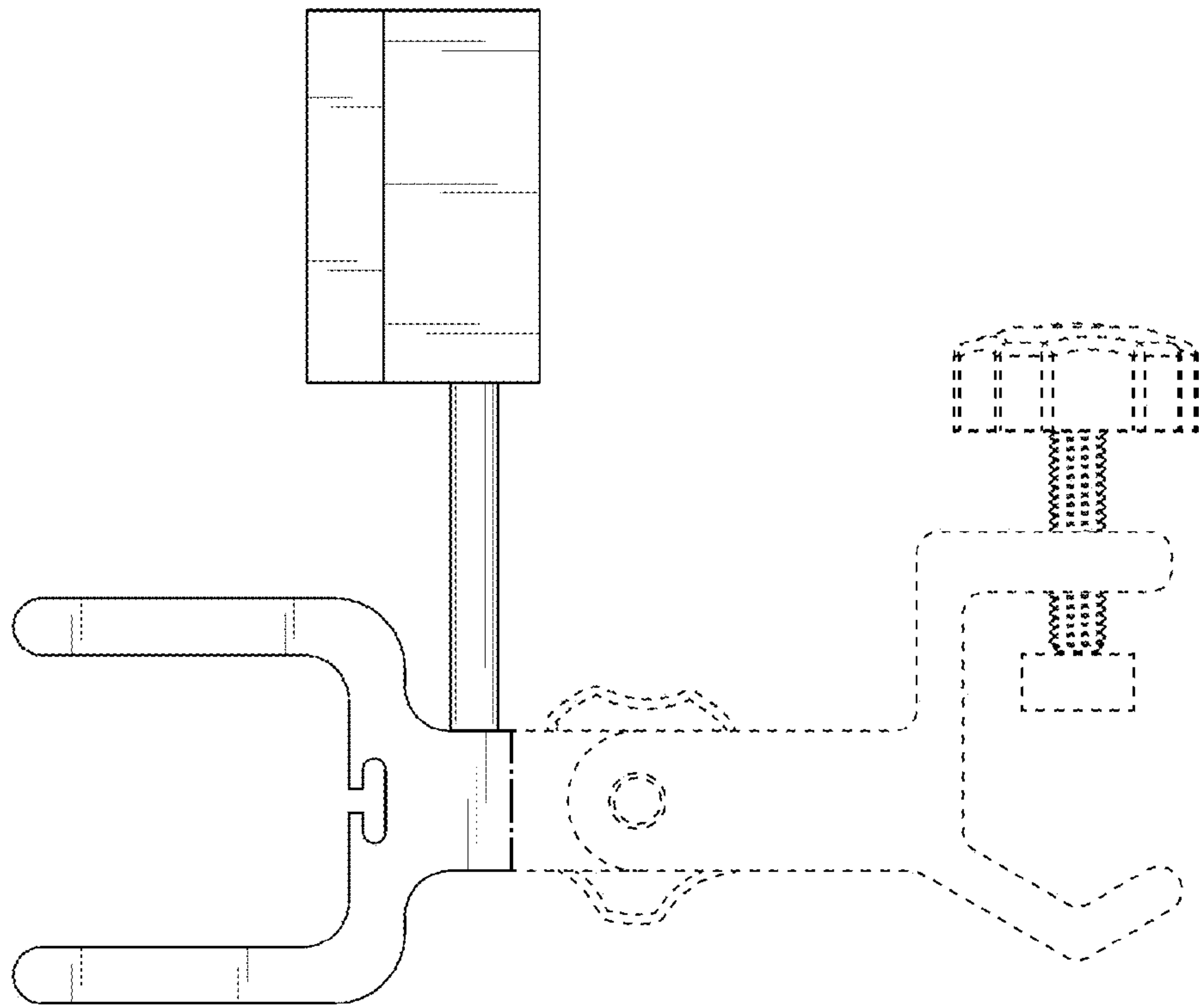


FIG.21