



US00D746469S

(12) **United States Design Patent**
Okuda et al.

(10) **Patent No.:** **US D746,469 S**

(45) **Date of Patent:** **** Dec. 29, 2015**

(54) **BIOLOGICAL INFORMATION DETECTION
DEVICE**

(71) Applicant: **SEIKO INSTRUMENTS INC.**,
Chiba-shi, Chiba (JP)
(72) Inventors: **Hideki Okuda**, Chiba (JP); **Teruo Kato**,
Chiba (JP); **Dai Terasawa**, Chiba (JP)
(73) Assignee: **SEIKO INSTRUMENTS INC.** (JP)
(**) Term: **14 Years**

(21) Appl. No.: **29/488,658**

(22) Filed: **Apr. 22, 2014**

(30) **Foreign Application Priority Data**

Oct. 29, 2013 (JP) 2013-025168

(51) **LOC (10) Cl.** **24-01**

(52) **U.S. Cl.**
USPC **D24/167**

(58) **Field of Classification Search**
USPC D24/165–168, 186, 187, 107; D10/70,
D10/98, 30–32, 38; 600/301, 382–384, 386,
600/390, 483, 500–503, 508, 509, 513;
128/DIG. 15; D11/4, 5
CPC A61B 5/6803; A61B 5/681; A61B 5/6824;
A61B 5/6825; A61B 5/024; A61B 5/02405;
A61B 5/02438

See application file for complete search history.

(56) **References Cited**

U.S. PATENT DOCUMENTS

D285,422	S	*	9/1986	Grimes	D11/4
D452,006	S	*	12/2001	Komulainen	D24/167
D571,249	S	*	6/2008	Frederick et al.	D11/4
D598,301	S	*	8/2009	Moritz	D10/32
D680,651	S	*	4/2013	Lumme et al.	D24/167
D709,476	S	*	7/2014	Park et al.	D10/32
D718,866	S	*	12/2014	Law	D24/167
D719,264	S	*	12/2014	Law	D24/167
D720,074	S	*	12/2014	Suvilaakso et al.	D24/167
2006/0058695	A1	*	3/2006	Chen	600/509

* cited by examiner

Primary Examiner — Anhdao Doan

(74) *Attorney, Agent, or Firm* — Adams & Wilks

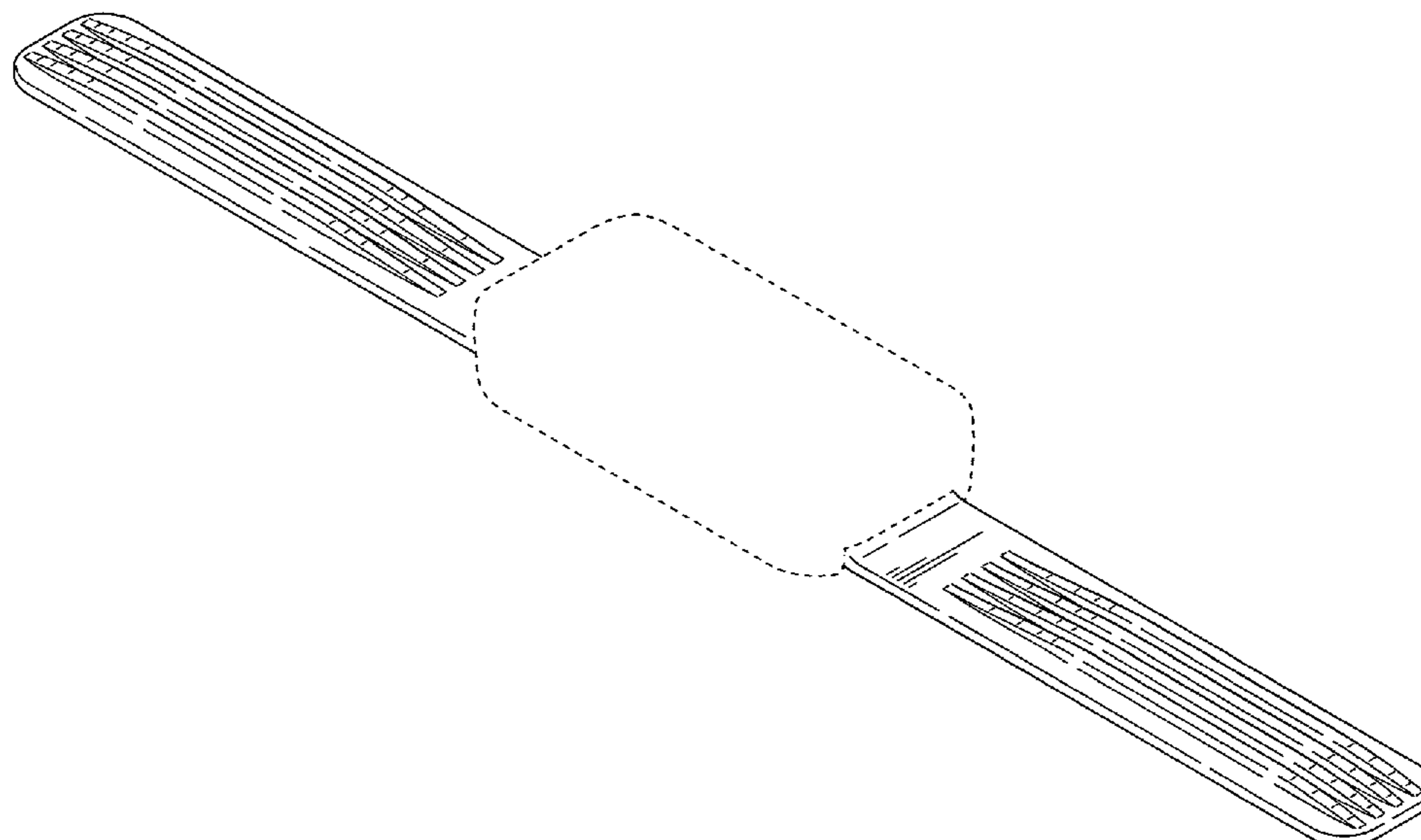
(57) **CLAIM**

The ornamental design for biological information detection device, as shown and described.

DESCRIPTION

FIG. 1 is a front perspective view of a biological information detection device showing our new design; FIG. 2 is a front view thereof; FIG. 3 is a rear view thereof; FIG. 4 is a right side view thereof; FIG. 5 is a top plan view thereof; and, FIG. 6 is a partial enlarged front view of a portion defined by lines 6-6 shown in FIG. 2. A left side view appears to be symmetric with the right side view and is omitted, and a bottom view appears to be symmetric with the top plan view and is omitted. The broken lines represent the portions of the design that form no part of the claim.

1 Claim, 4 Drawing Sheets



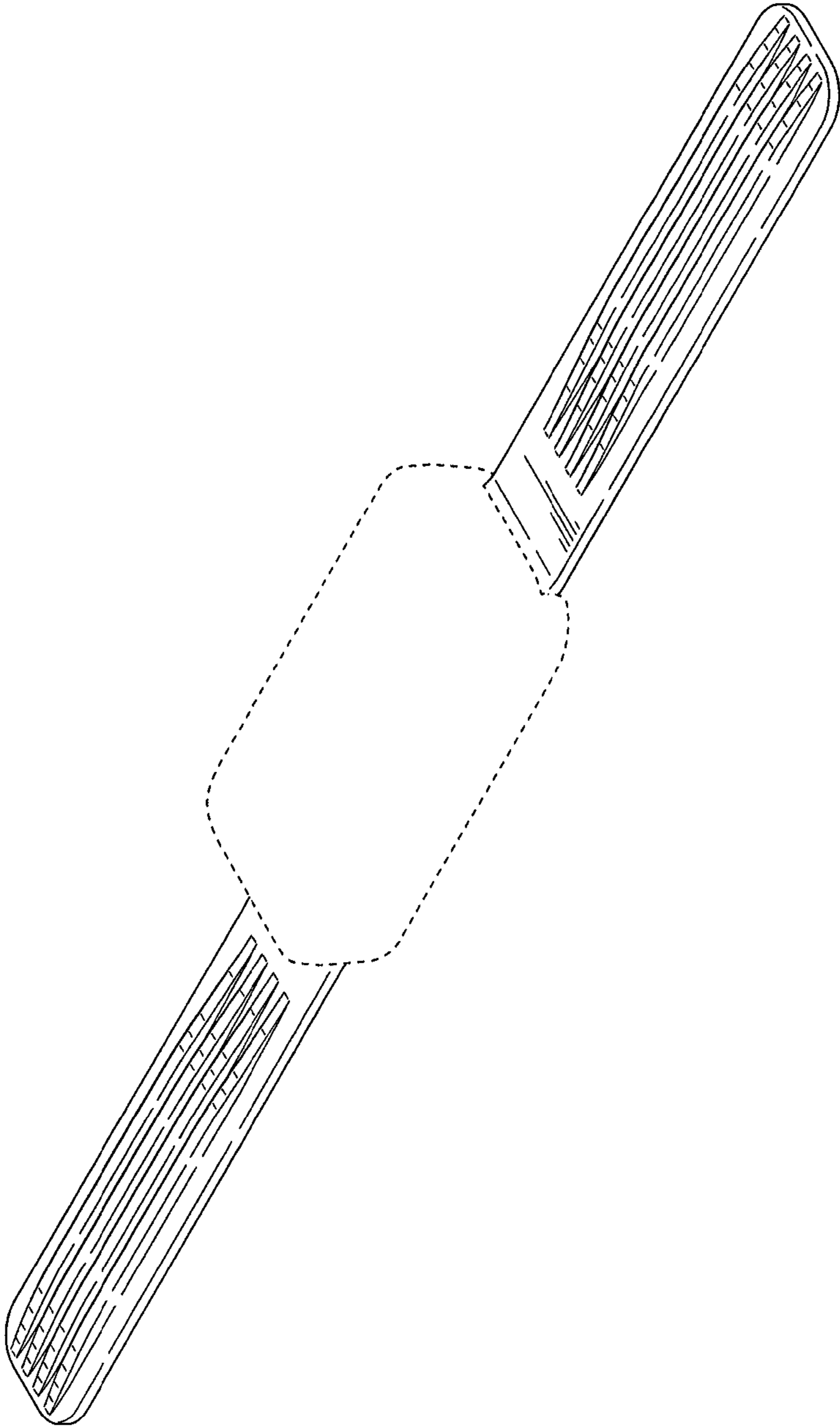
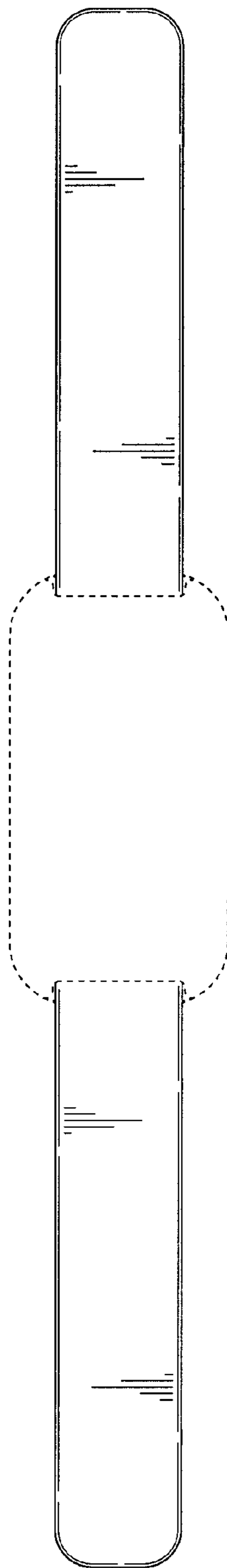
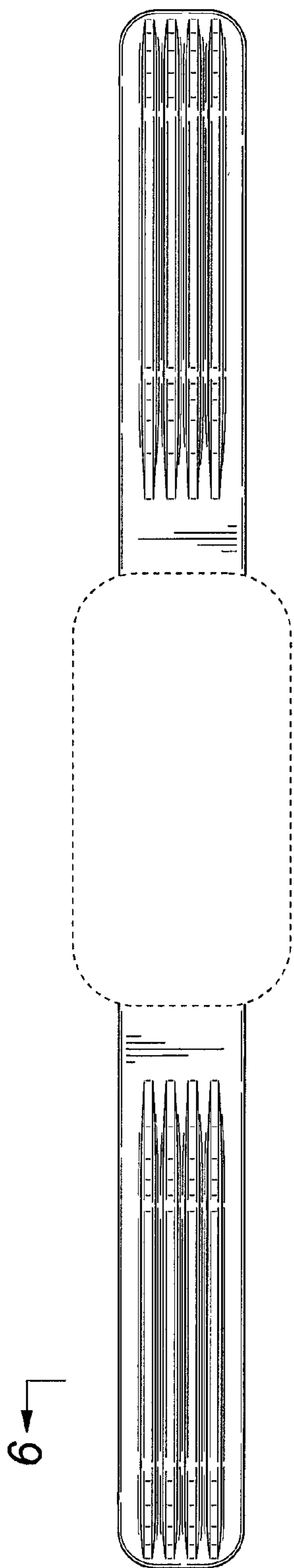


FIG. 1



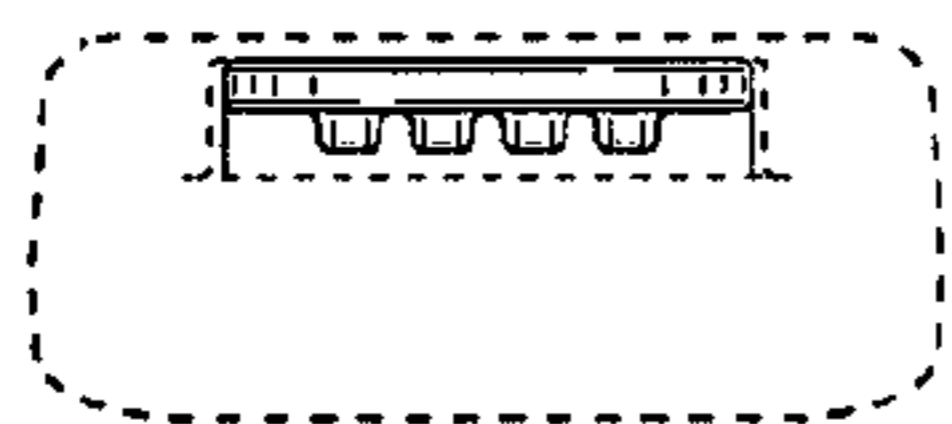


FIG. 4

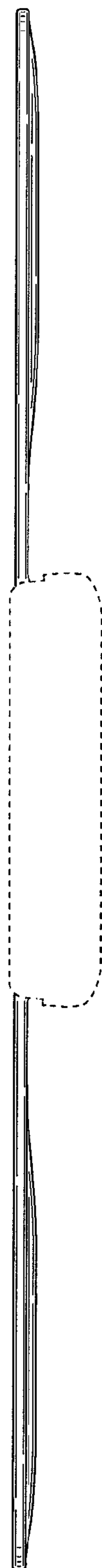


FIG. 5

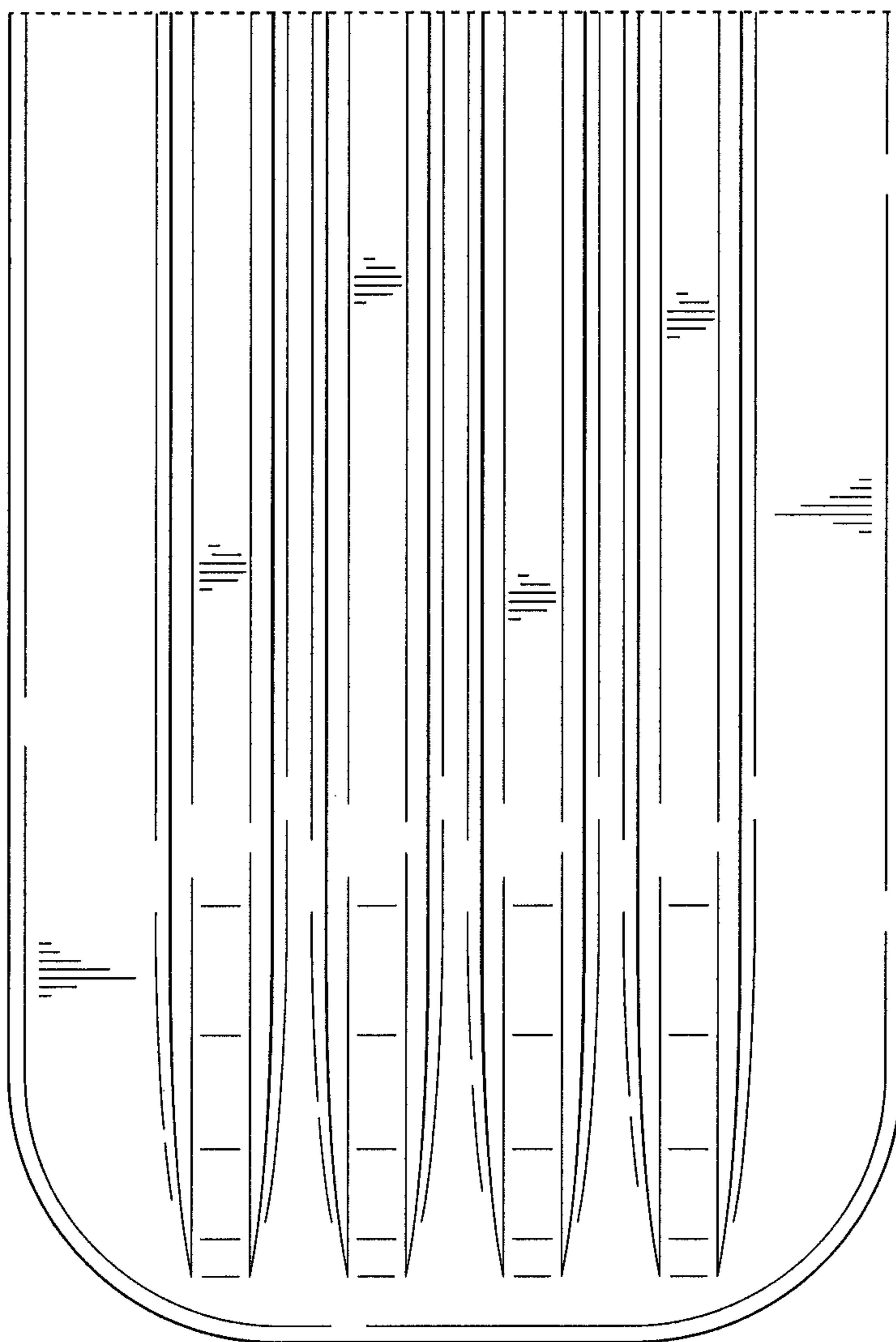


FIG. 6