



US00D746468S

(12) **United States Design Patent**  
**Meadows et al.**

(10) **Patent No.:** **US D746,468 S**  
(45) **Date of Patent:** **\*\* Dec. 29, 2015**

(54) **NASAL INSERT**

(71) Applicant: **SnoreBuds, LLC**, Castle Rock, CO (US)  
(72) Inventors: **Carl E. Meadows**, Castle Rock, CO (US); **Anthony G. Chillemi**, Elizabeth, CO (US)  
(73) Assignee: **SNOREBUDS, LLC**, Castle Rock, CO (US)

(\*\*) Term: **14 Years**

(21) Appl. No.: **29/488,705**

(22) Filed: **Apr. 22, 2014**

(51) **LOC (10) Cl.** ..... **24-04**

(52) **U.S. Cl.**  
USPC ..... **D24/164; D24/106**

(58) **Field of Classification Search**  
USPC ..... D24/106, 135, 164  
CPC ..... A61F 5/08; A61F 5/56  
See application file for complete search history.

(56) **References Cited**

**U.S. PATENT DOCUMENTS**

2,151,227	A *	3/1939	Pawelek	128/206.11
4,327,719	A *	5/1982	Childers	128/206.11
D319,878	S *	9/1991	Holland	D24/106
6,561,188	B1 *	5/2003	Ellis	128/206.11
D610,618	S *	2/2010	Cacioppo et al.	D19/187
7,856,979	B2	12/2010	Doshi et al.	
8,235,051	B2	8/2012	Soderberg	
8,240,309	B2 *	8/2012	Doshi et al.	128/207.18
8,403,954	B2	3/2013	Santin et al.	
8,424,530	B2	4/2013	Gunaratnam et al.	
2008/0009897	A1 *	1/2008	Duran Von Arx	606/199
2009/0320858	A1 *	12/2009	Purcell et al.	128/864

**FOREIGN PATENT DOCUMENTS**

CA	2566268	A1	11/2004
WO	8705798	A1	10/1987

**OTHER PUBLICATIONS**

“Prevent snoring with nasal dilator”, <http://www.breathe-ezy.com.au/Snore-n.mor.htm> (3 pages) [Aug. 6, 2014].  
“Sinus Cones vs Max-Air Cones Products”, Sanostec Corp., <http://www.maxairnosecones.com/sinus-cones-vs-max-air-nose-cones-products/> (3 pages) [Aug. 6, 2014].  
“Max Air Nose Cones—The Ultimate Breathing Relief for Sleep”, Sanostec Corp., <http://www.maxairnosecones.com/max-air-nose-cones/> (4 pages) [Aug. 6, 2014].

\* cited by examiner

*Primary Examiner* — Ian Simmons

*Assistant Examiner* — Richelle G Shelton

(74) *Attorney, Agent, or Firm* — Marsh Fischmann & Breyfogle LLP

(57) **CLAIM**

The ornamental design for a nasal insert, as shown and described.

**DESCRIPTION**

FIG. 1 is a top perspective view of a nasal insert showing the design;

FIG. 2 is a bottom perspective view thereof;

FIG. 3 is a front view thereof;

FIG. 4 is a back view thereof;

FIG. 5 is a left side view thereof;

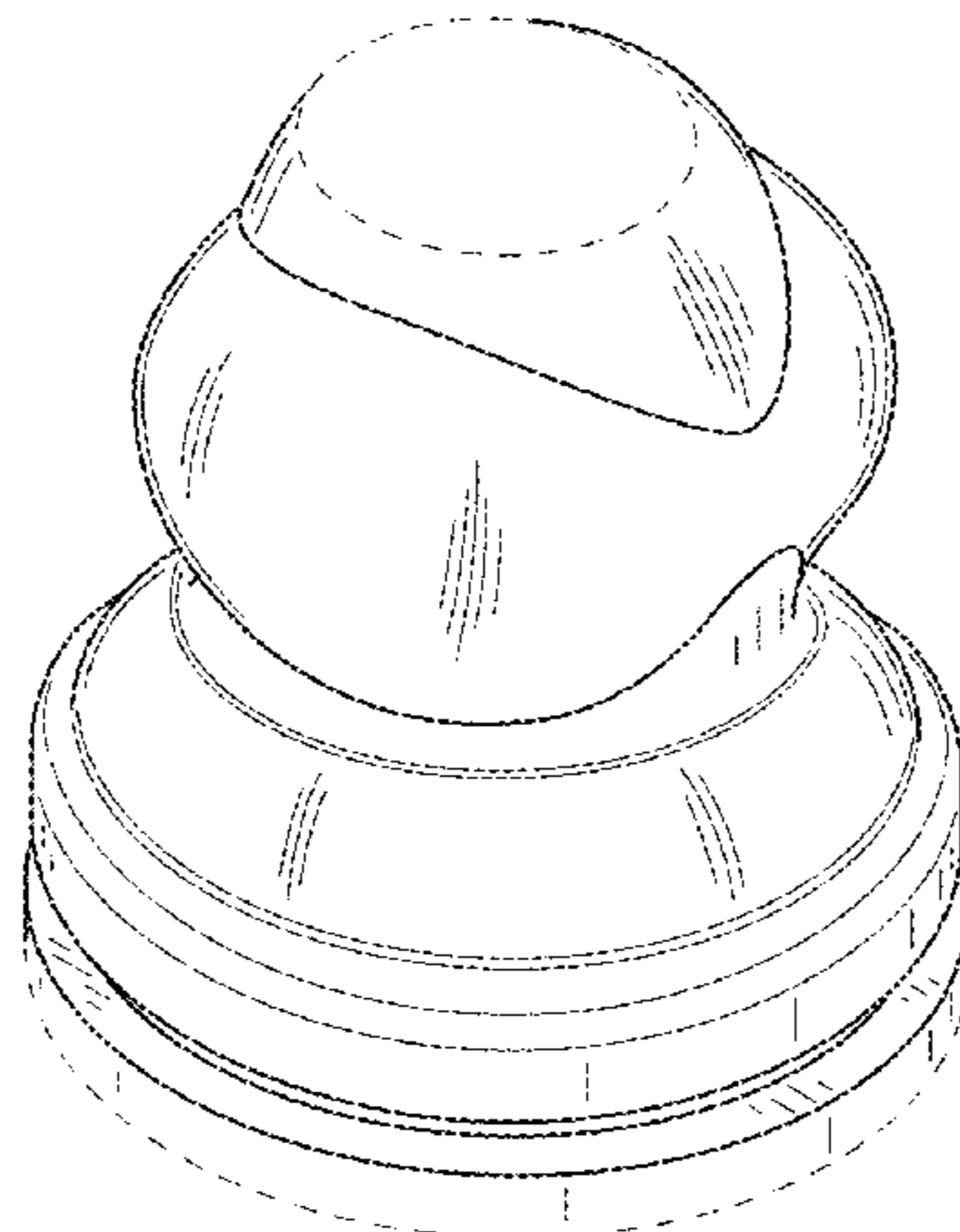
FIG. 6 is a right side view thereof; and,

FIG. 7 is a top view thereof.

The claimed design includes no portion that would be shown in a bottom view, hence a bottom view is not included in the drawings.

The broken line showing of the remainder of the article depicts subject matter excluded from the claim.

**1 Claim, 5 Drawing Sheets**



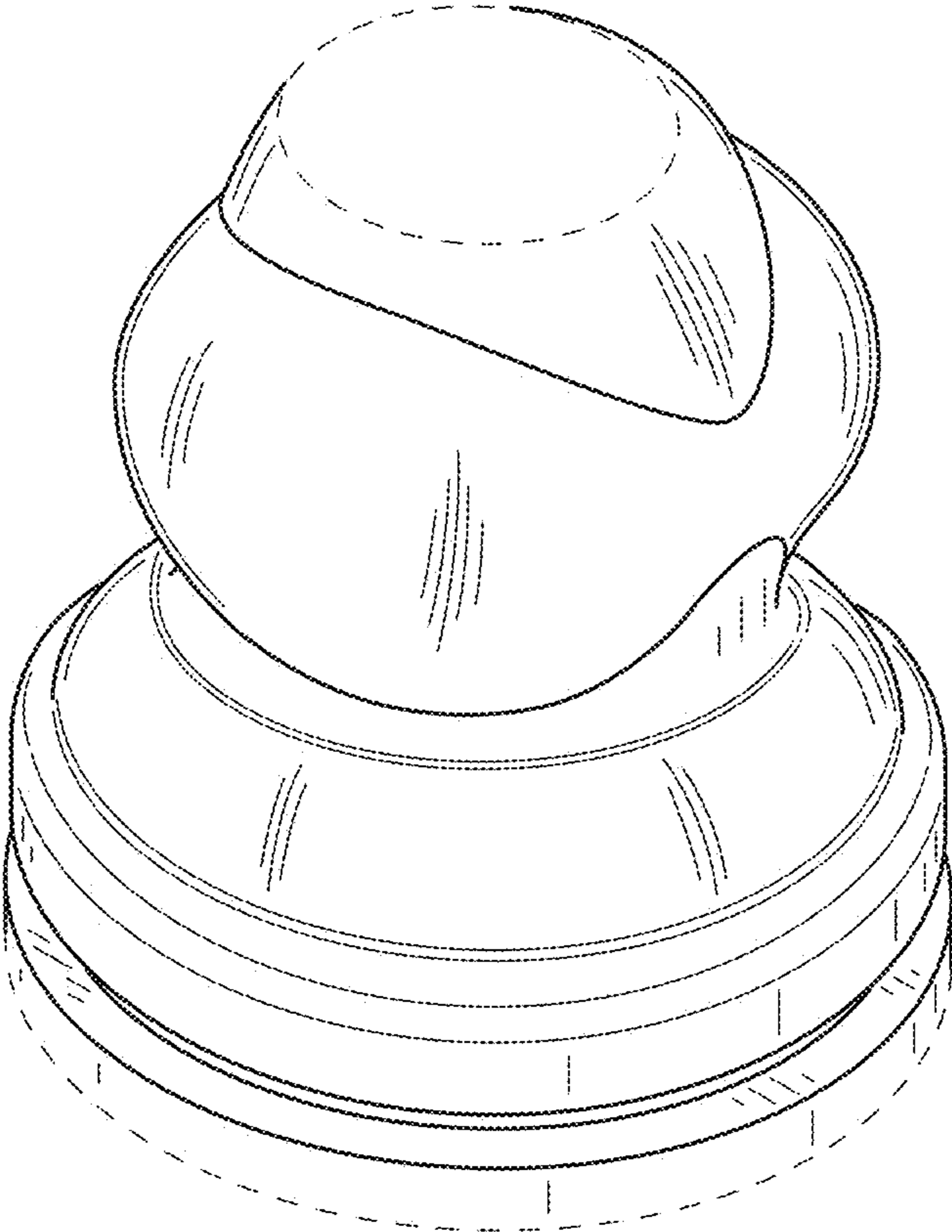


FIG.1

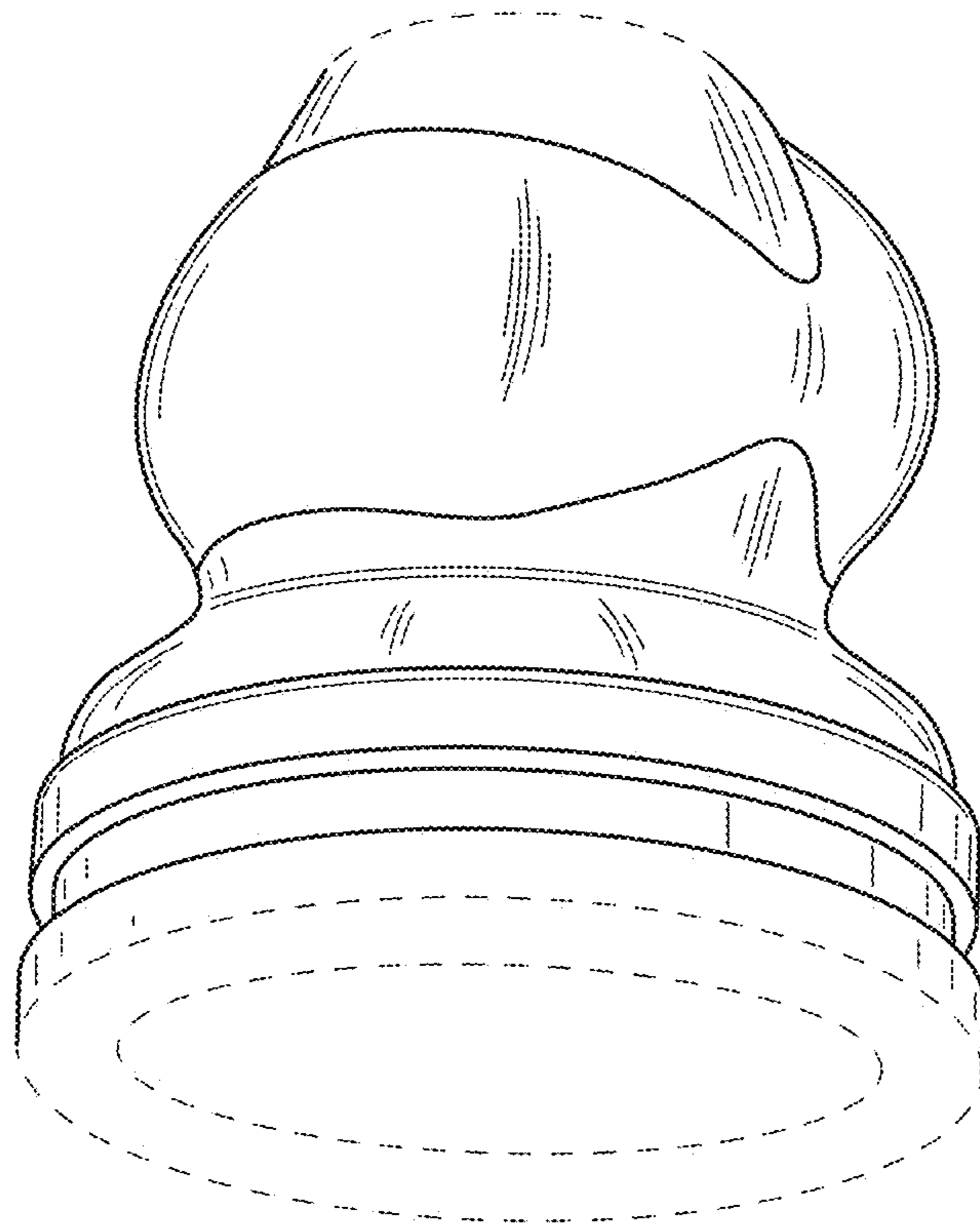


FIG.2

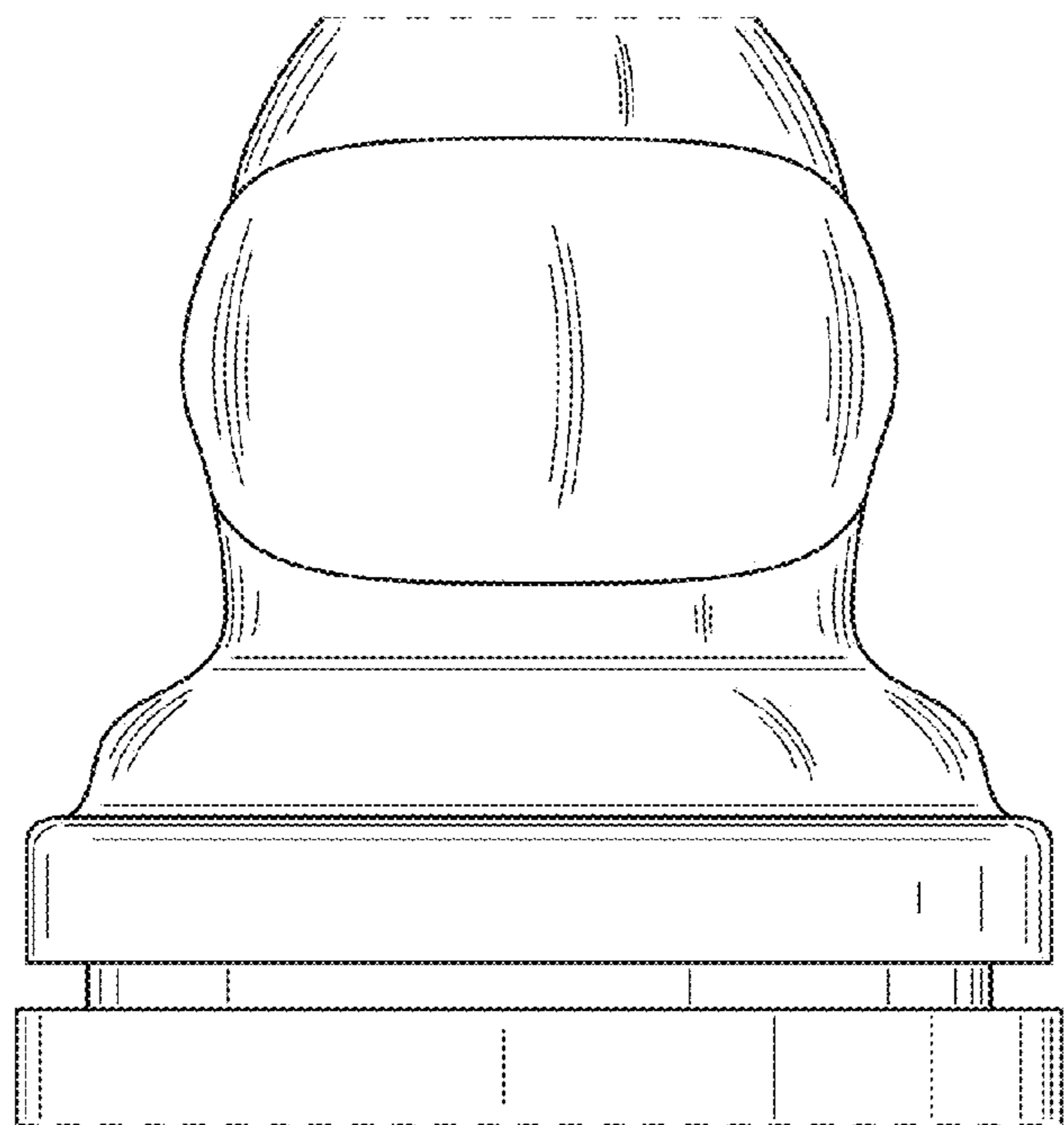


FIG.3

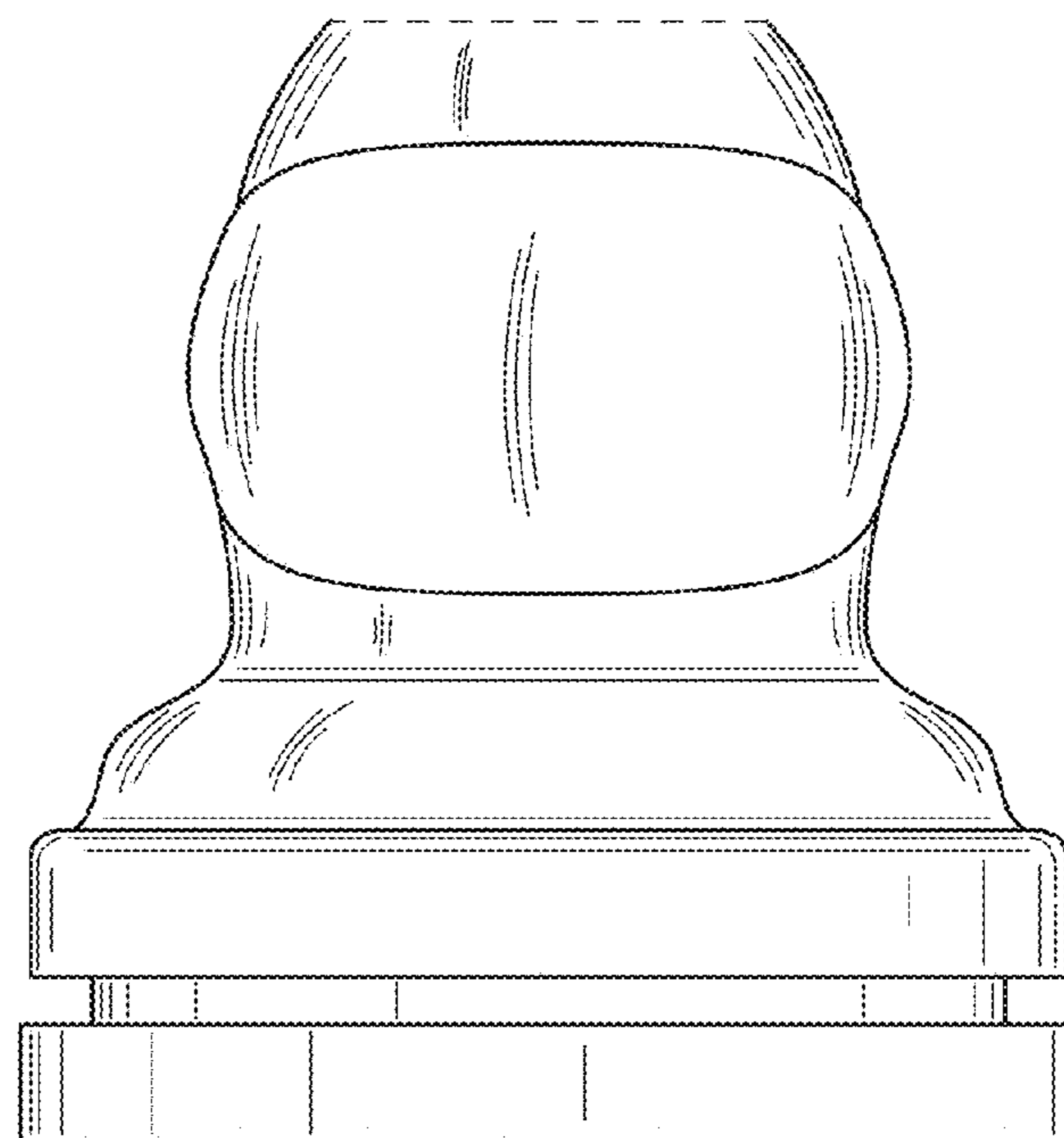


FIG.4

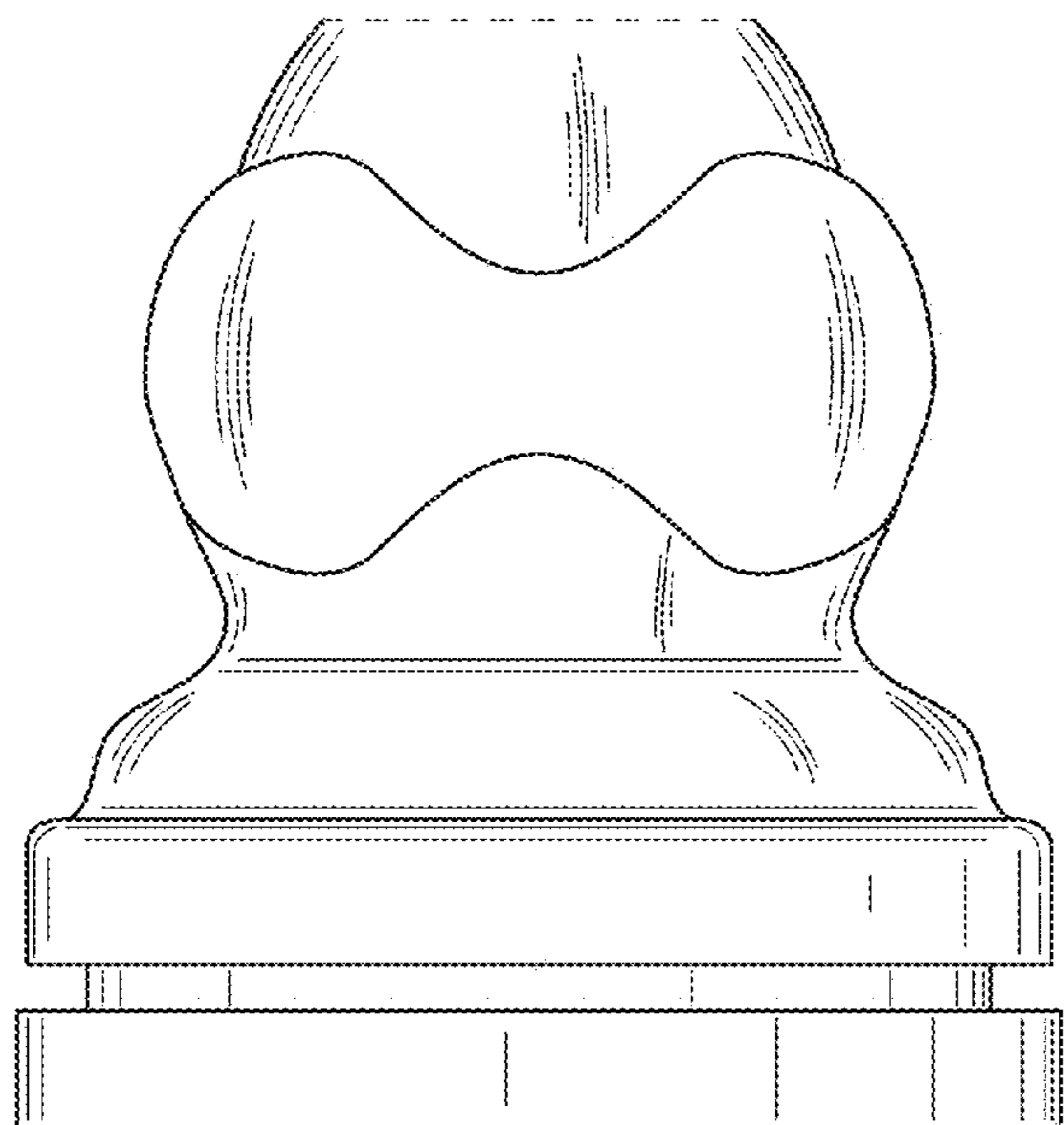


FIG.5

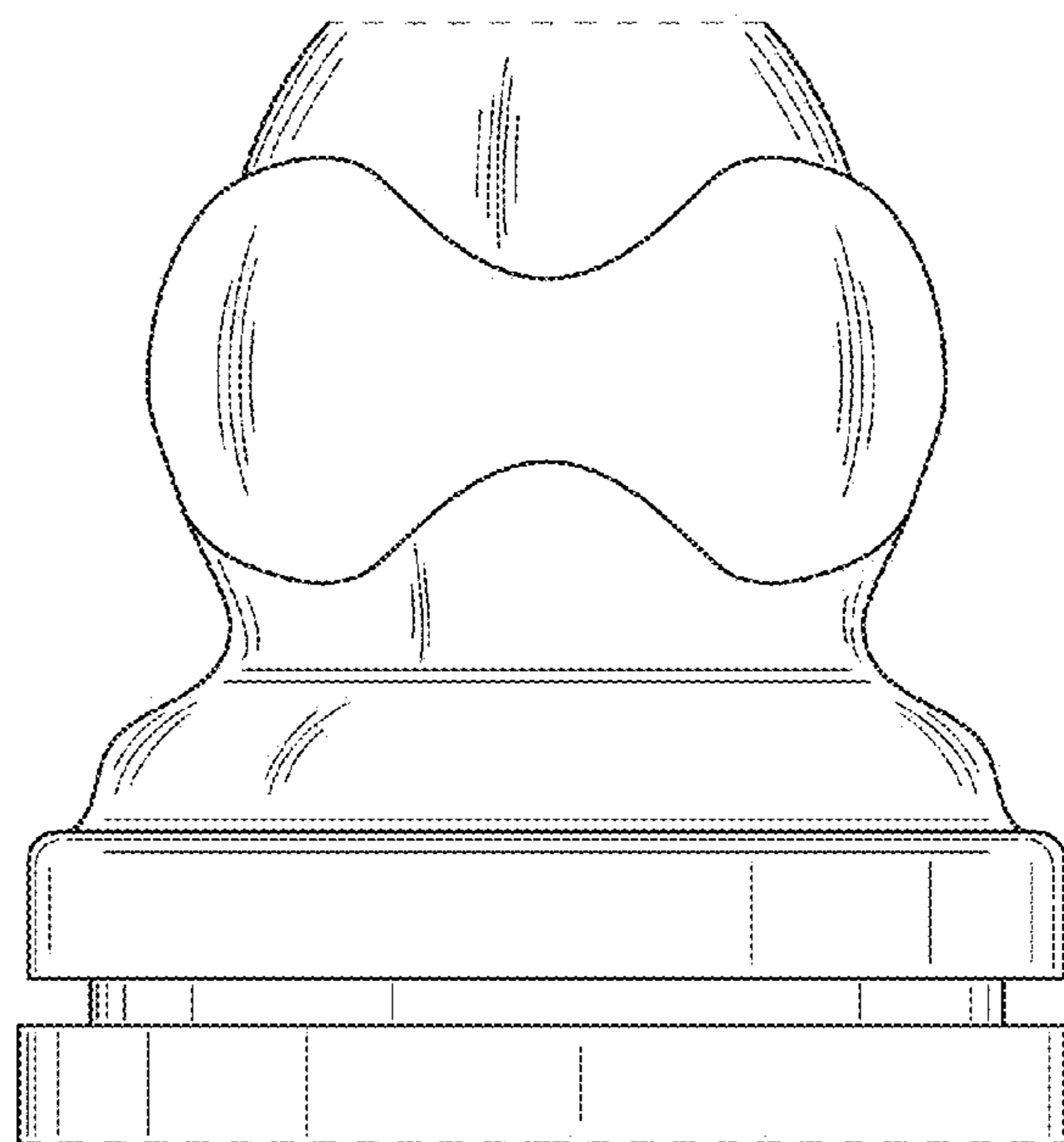


FIG.6

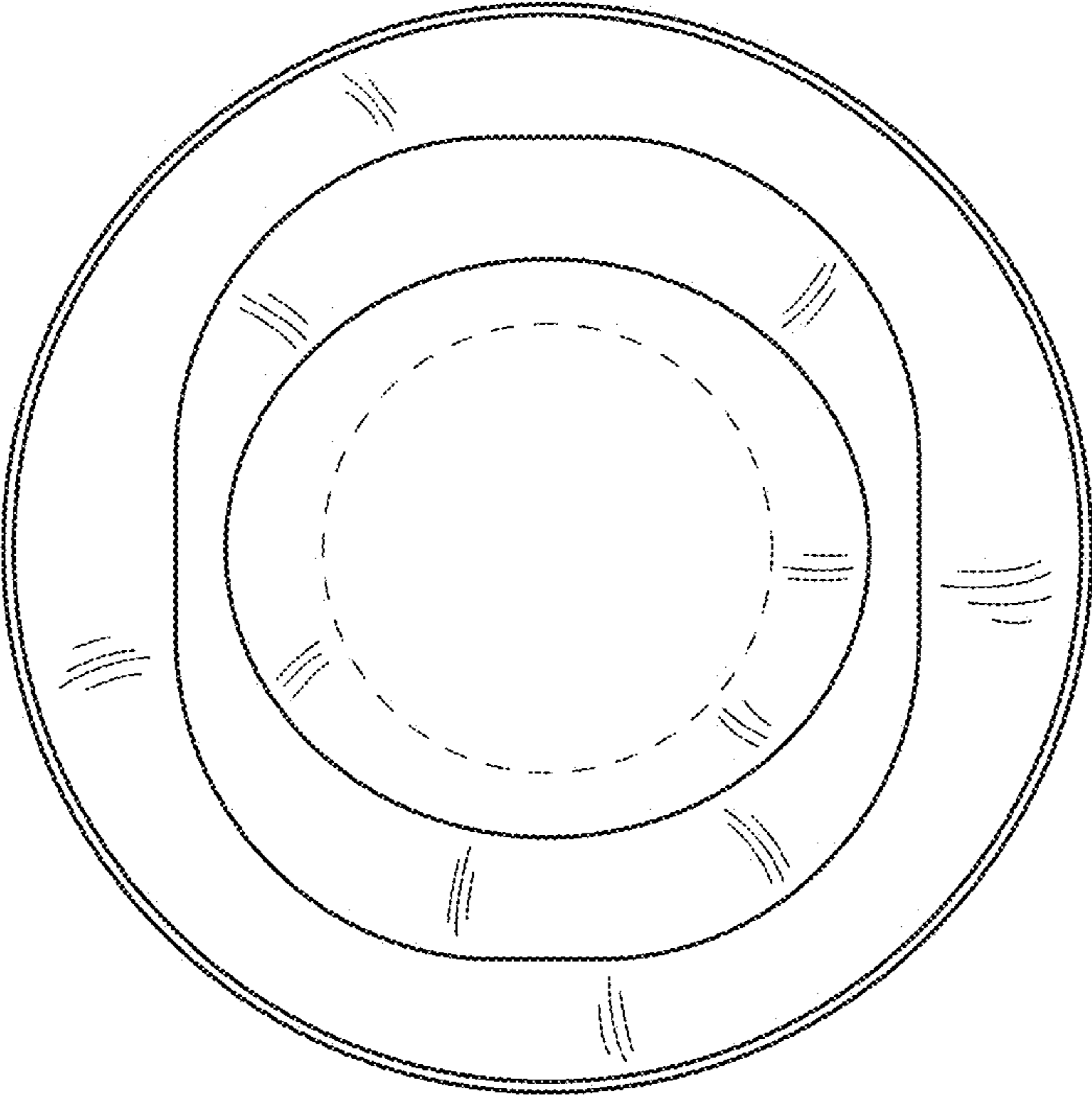


FIG.7