



US00D746466S

(12) **United States Design Patent**  
**Ullom**

(10) **Patent No.:** **US D746,466 S**  
(45) **Date of Patent:** **\*\* Dec. 29, 2015**

(54) **DIGITAL X-RAY HOLDER**  
(71) Applicant: **Mark Ullom**, Anderson, IN (US)  
(72) Inventor: **Mark Ullom**, Anderson, IN (US)  
(\*\*) Term: **14 Years**  
(21) Appl. No.: **29/496,484**  
(22) Filed: **Jul. 14, 2014**

(51) **LOC (10) Cl.** ..... **24-01**  
(52) **U.S. Cl.**  
USPC ..... **D24/161**  
(58) **Field of Classification Search**  
USPC ..... D24/158-161, 152, 176, 177, 186, 187,  
D24/128; 378/38, 39, 167, 168, 170, 177,  
378/180, 191, 205, 208; 433/27, 29;  
D6/310, 332, 672  
CPC .. G03B 42/025; G03B 42/042; A61B 6/4435;  
A61B 6/145  
See application file for complete search history.

(56) **References Cited**

**U.S. PATENT DOCUMENTS**

D298,054 S \* 10/1988 Moore ..... D24/161  
D304,239 S \* 10/1989 Miller ..... D24/128  
D330,423 S \* 10/1992 Kilber ..... D24/156

D357,143 S \* 4/1995 Woolard ..... D6/672  
5,574,767 A \* 11/1996 Hayes ..... G03B 42/025  
378/167  
D546,453 S \* 7/2007 McNair, Jr. .... D24/161  
7,270,477 B1 \* 9/2007 Kari ..... G03B 42/04  
378/167  
D598,550 S \* 8/2009 DeGross ..... D24/158  
D653,862 S \* 2/2012 Hairston ..... D6/332  
D656,614 S \* 3/2012 Stinson ..... D24/161  
2009/0245472 A1 \* 10/2009 Pichardo ..... G03B 42/04  
378/168

\* cited by examiner

*Primary Examiner* — Anhdao Doan

(74) *Attorney, Agent, or Firm* — Gulf Coast Intellectual Property Group

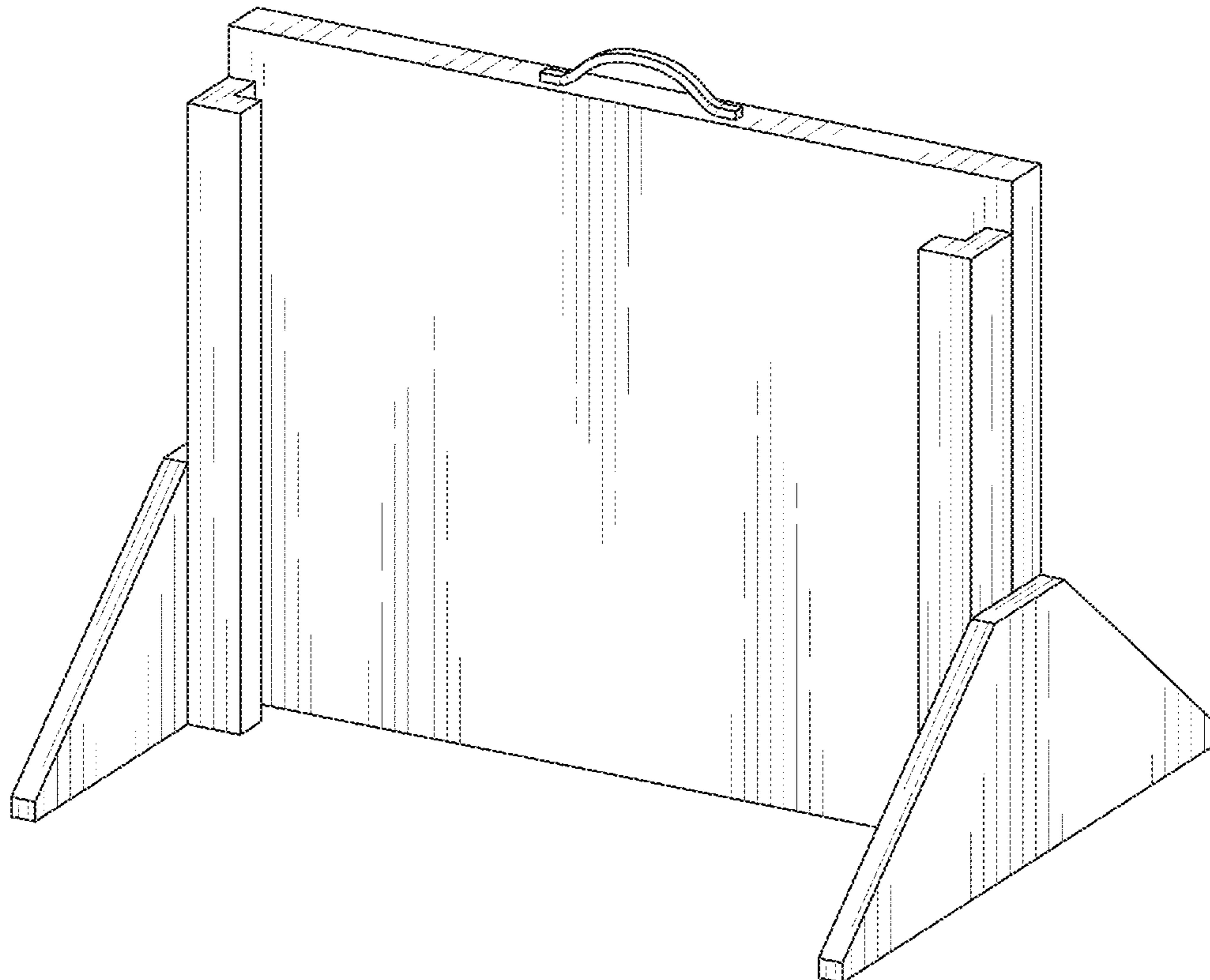
(57) **CLAIM**

The ornamental design for a digital x-ray holder, as shown and described.

**DESCRIPTION**

FIG. 1 is a perspective view of the present invention; and FIG. 2 is a front view of the present invention; and FIG. 3 is a rear view of the present invention; and FIG. 4 is a left side of the present invention; and, FIG. 5 is a right side view of the present invention.

**1 Claim, 3 Drawing Sheets**



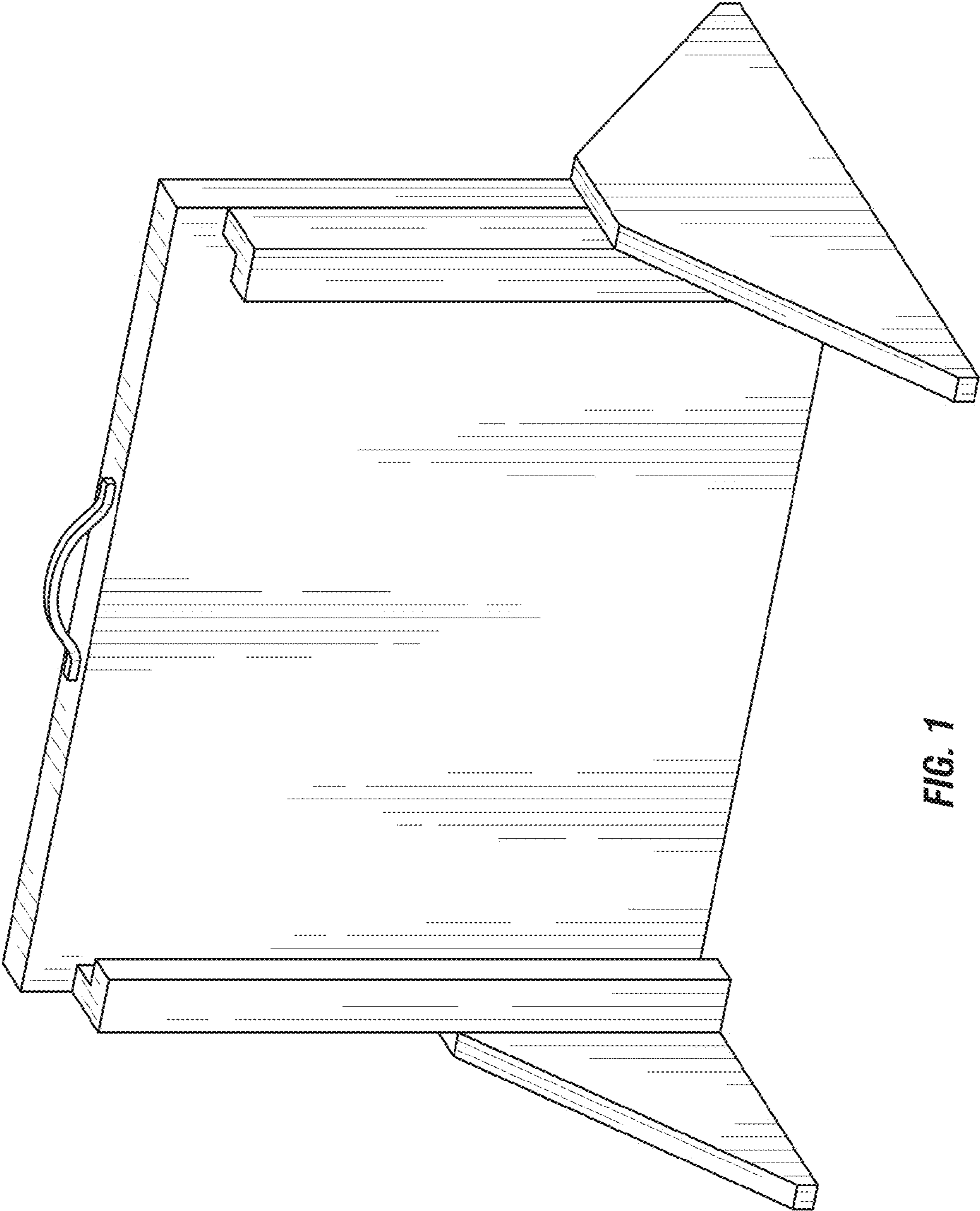
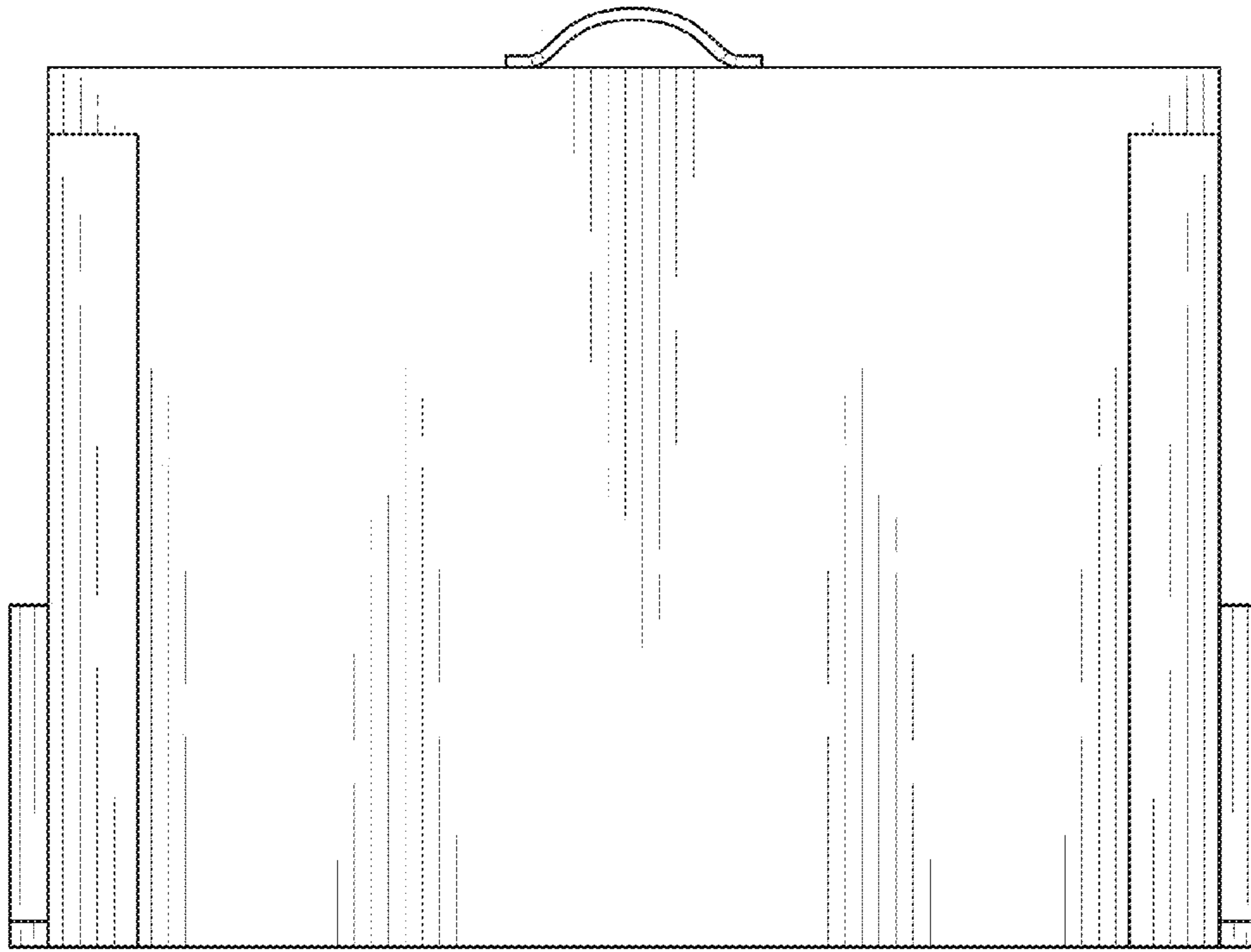
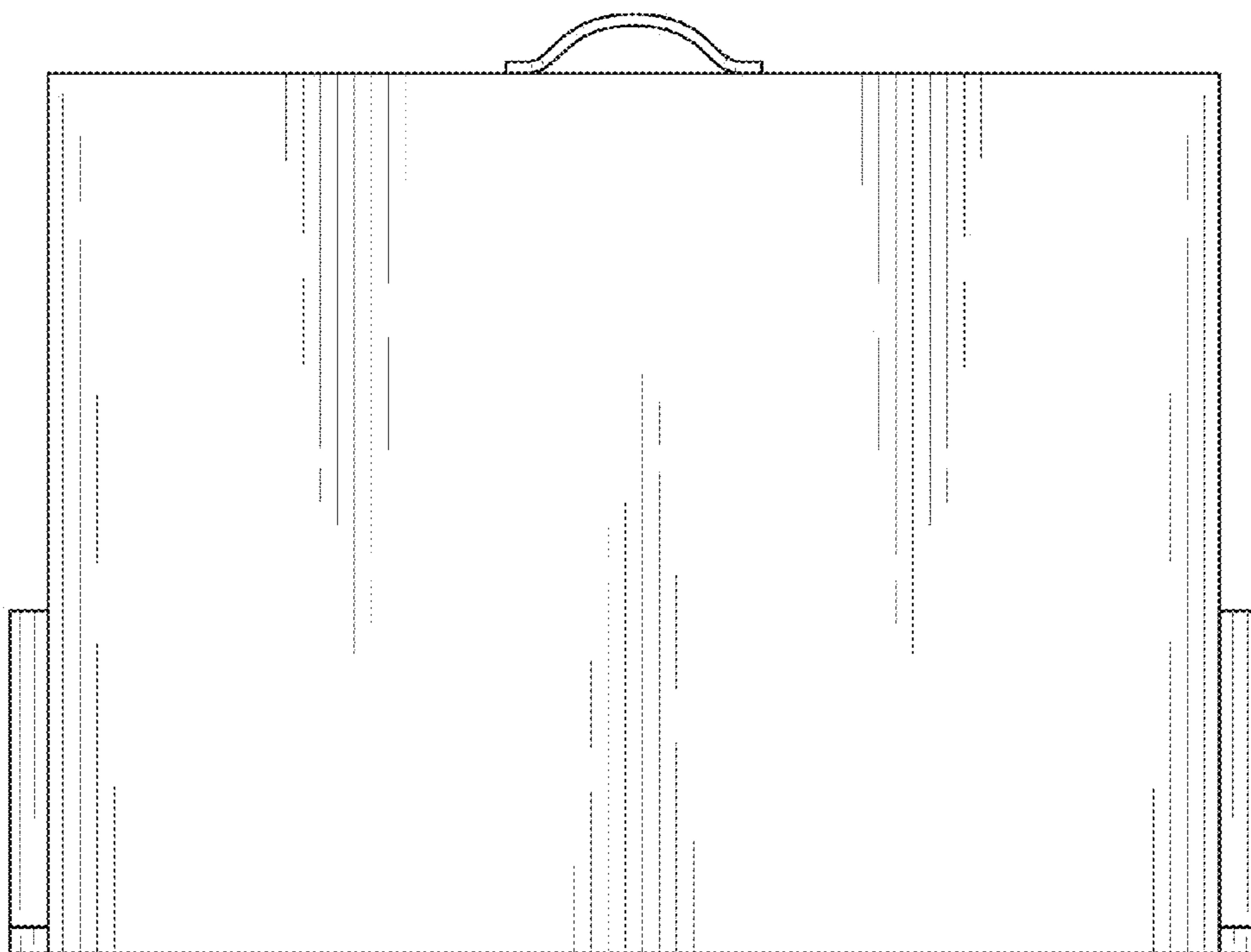


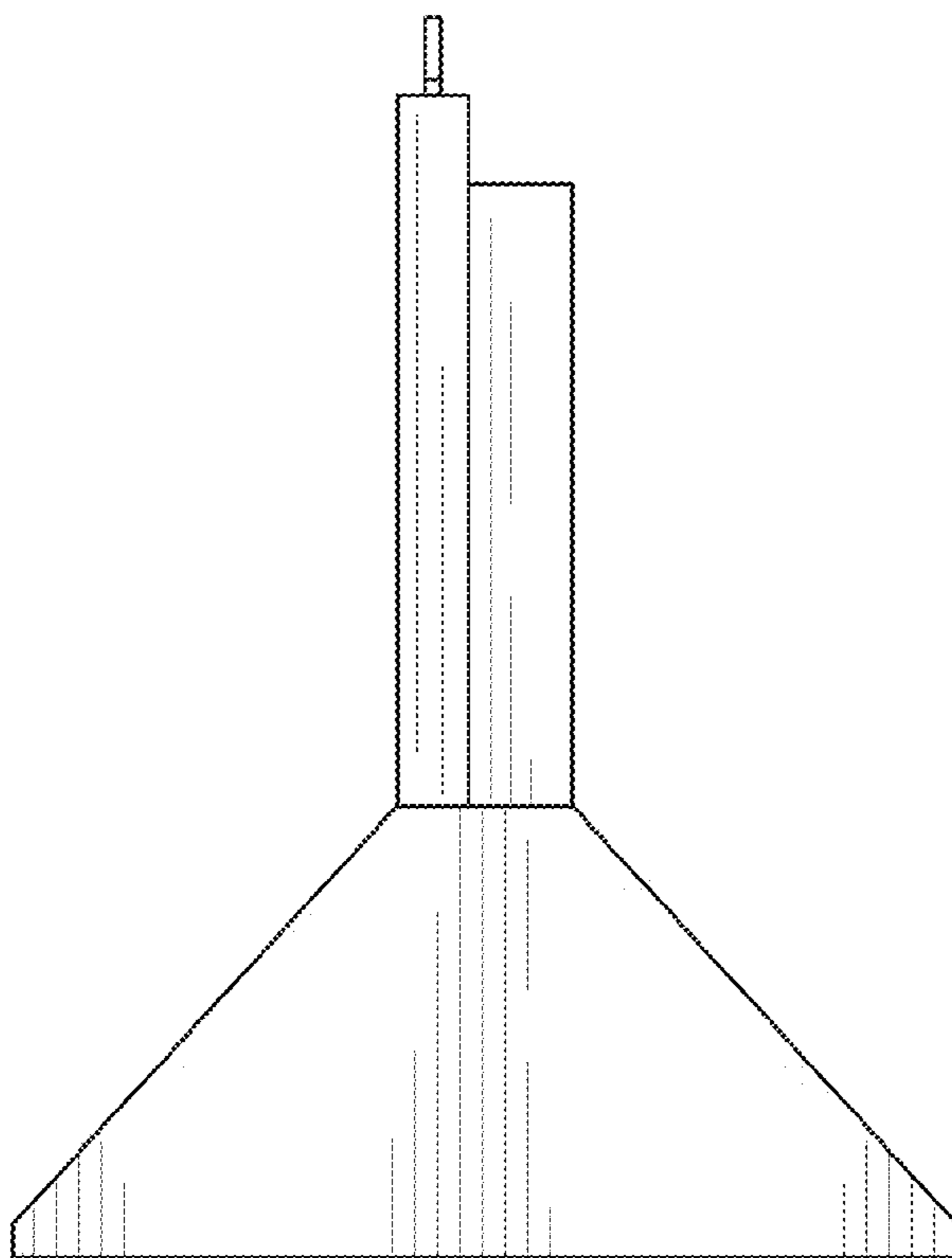
FIG. 1



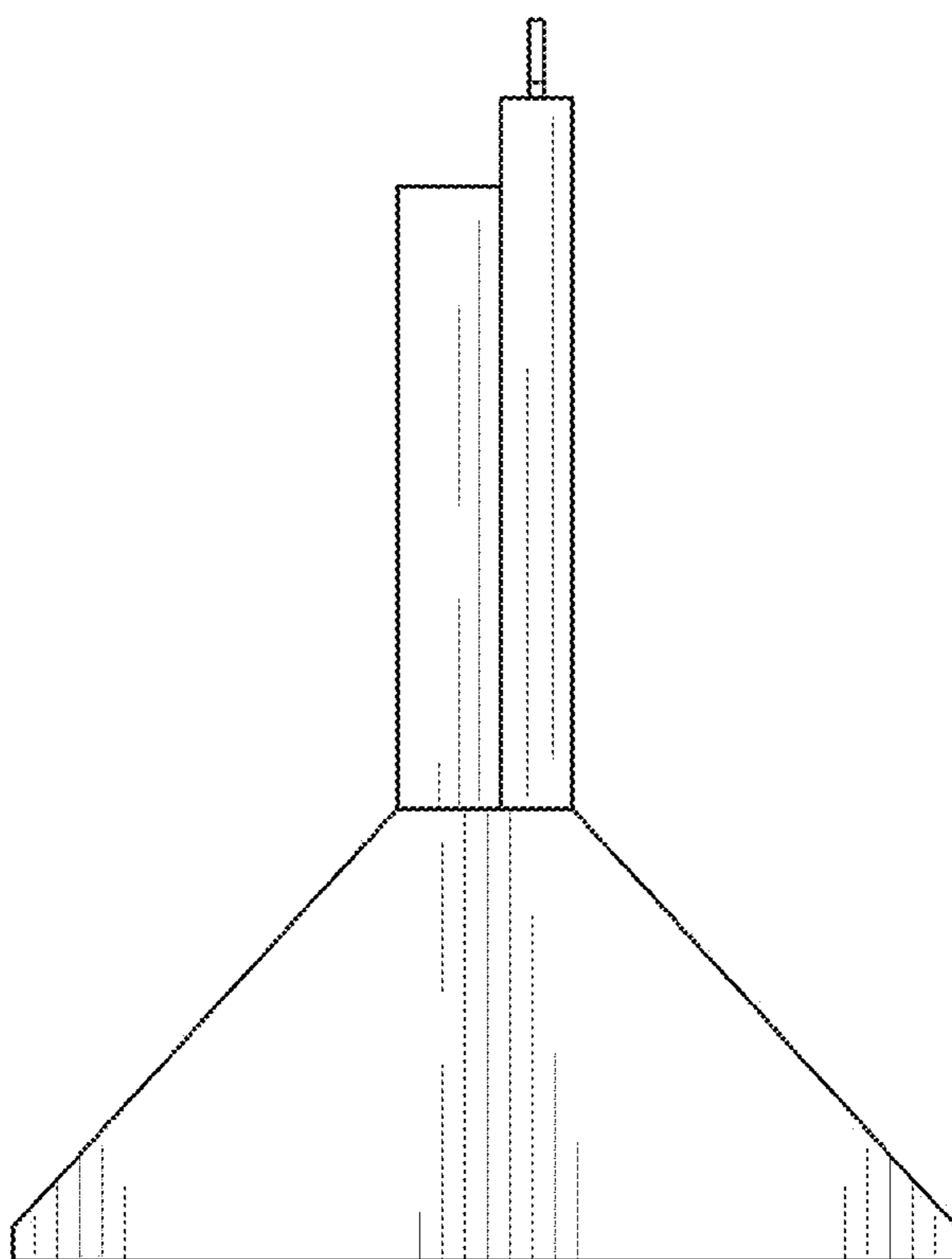
**FIG. 2**



**FIG. 3**



**FIG. 4**



**FIG. 5**