



US00D746461S

(12) **United States Design Patent**
Butler et al.

(10) **Patent No.:** **US D746,461 S**
(45) **Date of Patent:** **** Dec. 29, 2015**

- (54) **SPINAL ROD CONNECTOR**
- (71) Applicant: **Life Spine, Inc.**, Hoffman Estates, IL (US)
- (72) Inventors: **Michael S. Butler**, St. Charles, IL (US);
Thomas J. Wegrzyn, III, Chicago, IL (US)
- (73) Assignee: **Life Spine, Inc.**, Huntley, IL (US)
- (**) Term: **14 Years**
- (21) Appl. No.: **29/503,015**
- (22) Filed: **Sep. 22, 2014**

6,554,834	B1	4/2003	Crozet et al.	
6,565,565	B1	5/2003	Yuan et al.	
6,565,566	B1	5/2003	Wagner et al.	
7,445,627	B2	11/2008	Hawkes et al.	
7,708,762	B2	5/2010	McCarthy et al.	
7,857,834	B2	12/2010	Boschert	
7,892,259	B2*	2/2011	Biedermann et al.	606/264
7,951,173	B2	5/2011	Hammill et al.	
D642,270	S*	7/2011	McAfee	D24/155
8,092,494	B2	1/2012	Butler et al.	
8,257,399	B2	9/2012	Biedermann et al.	
2002/0091386	A1	7/2002	Martin et al.	
2002/0133154	A1*	9/2002	Saint Martin	606/61
2003/0100896	A1	5/2003	Biedermann et al.	
2003/0216735	A1*	11/2003	Altarac et al.	606/61
2004/0176766	A1*	9/2004	Shluzas	606/65
2004/0236330	A1	11/2004	Purcell et al.	
2004/0267264	A1*	12/2004	Konieczynski et al.	606/73

(Continued)

Related U.S. Application Data

- (63) Continuation of application No. 12/487,794, filed on Jun. 19, 2009, now abandoned.
- (51) **LOC (10) Cl.** **24-02**
- (52) **U.S. Cl.**
USPC **D24/155**
- (58) **Field of Classification Search**
USPC D24/155-157
CPC A61B 17/7032; A61B 17/7037; A61B 17/7035; A61B 17/8605; A61B 2019/307
See application file for complete search history.

Primary Examiner — Susan Bennett Hattan

Assistant Examiner — Charles Hanson

(74) *Attorney, Agent, or Firm* — Foley & Lardner LLP

(56) **References Cited**

U.S. PATENT DOCUMENTS

5,609,592	A	3/1997	Brumfield et al.	
5,716,356	A	2/1998	Biedermann et al.	
5,882,350	A	3/1999	Ralph et al.	
5,944,720	A	8/1999	Lipton	
6,074,391	A	6/2000	Metz-Stavenhagen et al.	
6,077,262	A	6/2000	Schlapfer et al.	
6,248,104	B1	6/2001	Chopin et al.	
6,280,442	B1*	8/2001	Barker et al.	606/60
6,302,888	B1	10/2001	Mellinger et al.	
6,485,494	B1	11/2002	Haider	

(57) **CLAIM**

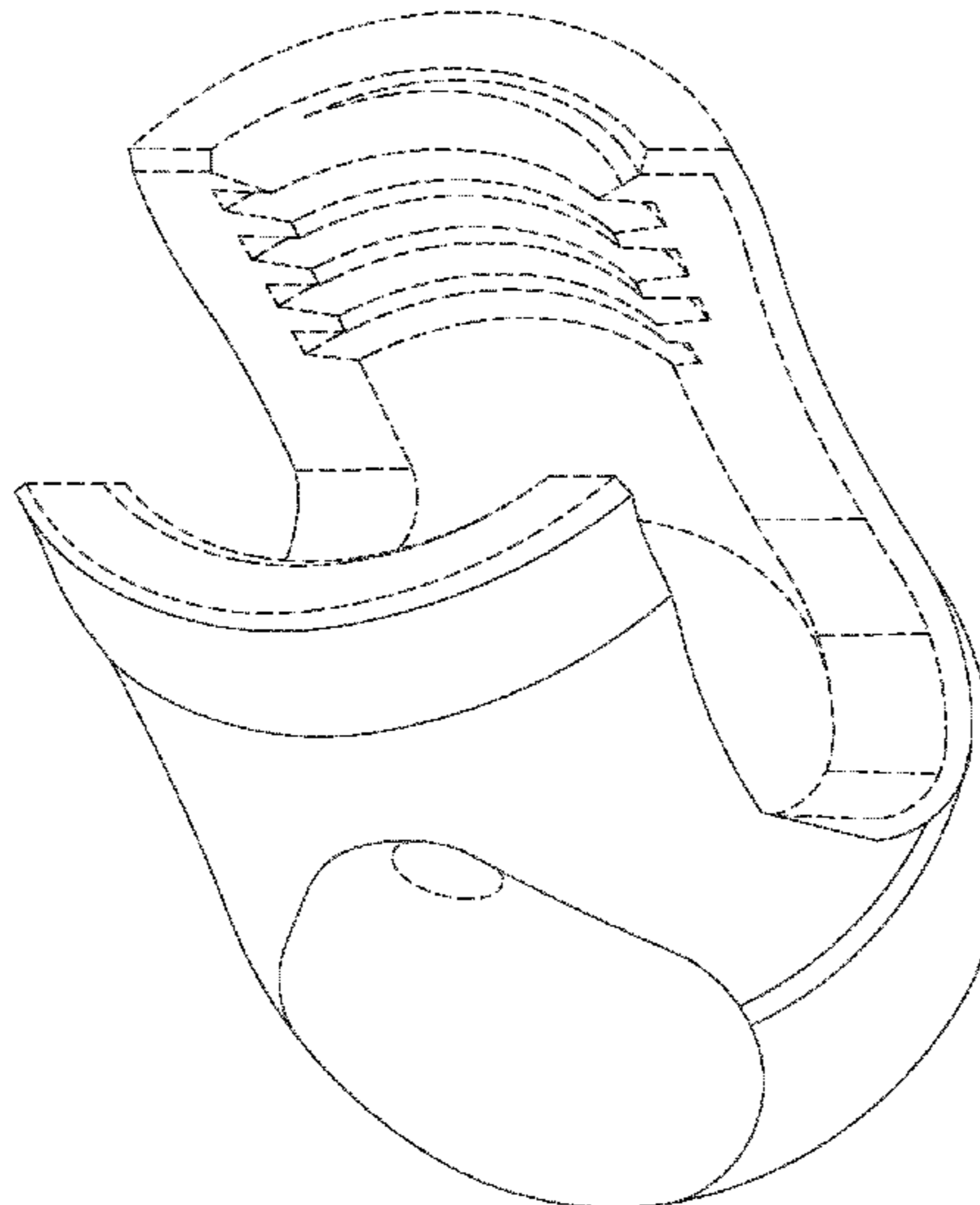
We claim the ornamental design for a spinal rod connector, as shown and described.

DESCRIPTION

FIG. 1 is a front, right perspective view of a spinal rod connector showing our new design;
 FIG. 2 is a front view thereof;
 FIG. 3 is a top view thereof;
 FIG. 4 is a section view thereof taken along the line 4-4 in FIG. 3; and,
 FIG. 5 is a section view thereof taken along the line 5-5 in FIG. 3.

The ornamental design which is claimed is shown in solid lines in the drawings. The broken lines in the drawings form no part of the claimed design. Broken lines formed by equal length dashes show unclaimed subject matter.

1 Claim, 5 Drawing Sheets



(56)

References Cited

U.S. PATENT DOCUMENTS

2005/0010222	A1	1/2005	Cordaro	2008/0234757	A1	9/2008	Jacofsky et al.
2005/0080415	A1	4/2005	Keyer et al.	2008/0262556	A1	10/2008	Jacofsky et al.
2005/0187548	A1	8/2005	Butler et al.	2008/0287998	A1	11/2008	Doubler et al.
2005/0192571	A1*	9/2005	Abdelgany 606/61	2009/0018591	A1	1/2009	Hawkes et al.
2005/0277928	A1*	12/2005	Boschert 606/61	2009/0105770	A1	4/2009	Berrevoets et al.
2005/0277931	A1	12/2005	Sweeney et al.	2009/0163956	A1	6/2009	Biedermann et al.
2006/0089643	A1	4/2006	Mujwid	2009/0240292	A1	9/2009	Butler et al.
2006/0089644	A1	4/2006	Felix	2009/0254125	A1	10/2009	Predick
2006/0173456	A1	8/2006	Hawkes et al.	2009/0306722	A1	12/2009	Lewis et al.
2006/0235385	A1	10/2006	Whipple	2010/0023061	A1*	1/2010	Randol et al. 606/278
2007/0055241	A1*	3/2007	Matthis et al. 606/61	2010/0063544	A1	3/2010	Butler
2007/0173825	A1	7/2007	Sharifi-Mehr et al.	2010/0114167	A1	5/2010	Wilcox et al.
2007/0270831	A1	11/2007	Dewey et al.	2010/0160977	A1	6/2010	Gephart et al.
2008/0015579	A1*	1/2008	Whipple 606/61	2010/0222822	A1	9/2010	Farris et al.
2008/0015597	A1*	1/2008	Whipple 606/73	2011/0152950	A1	6/2011	Baccelli
2008/0045955	A1	2/2008	Berrevoets et al.	2012/0123480	A1	5/2012	Freudiger
				2012/0316605	A1	12/2012	Palagi
				2012/0330364	A1	12/2012	Jacofsky et al.

* cited by examiner

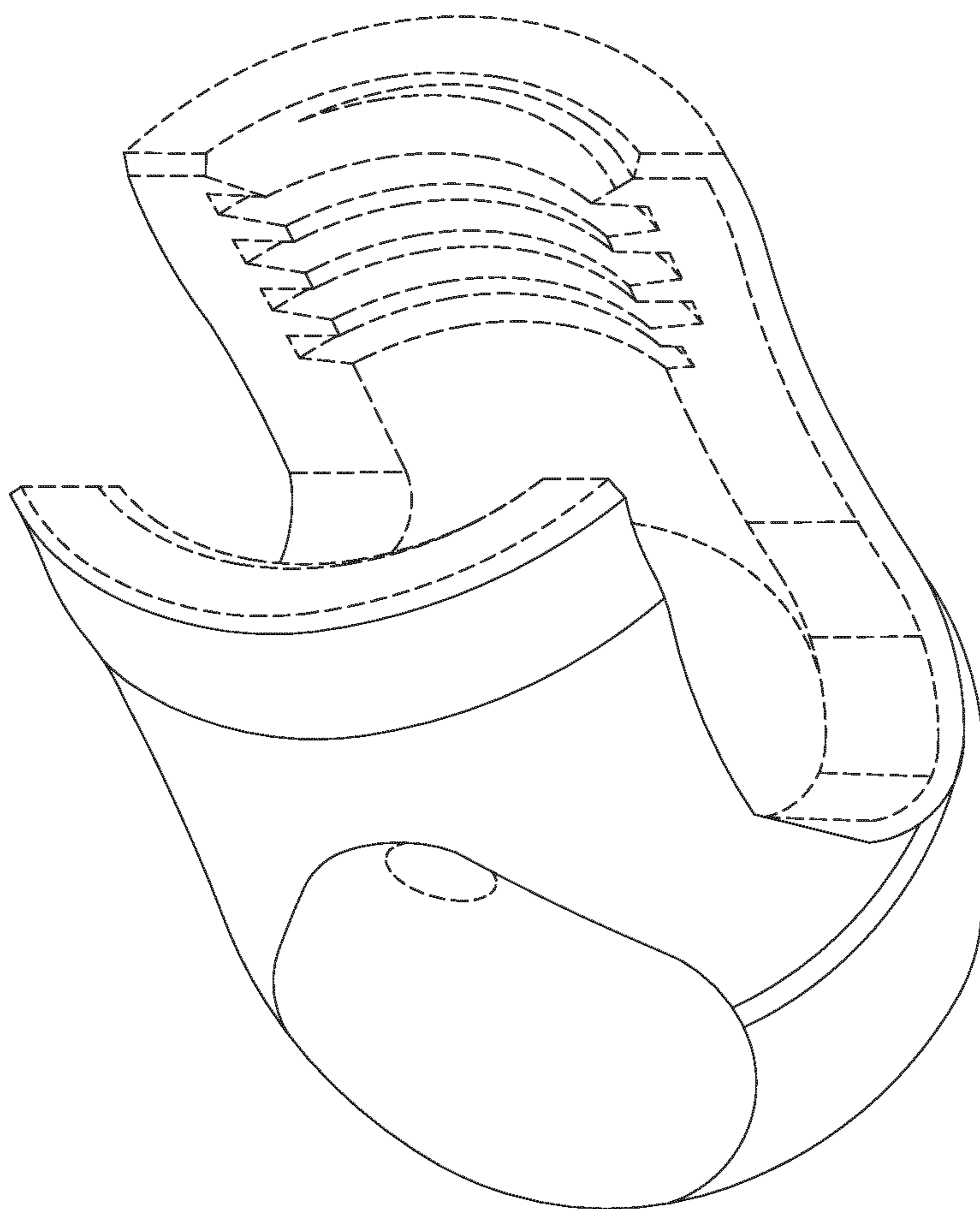


FIG. 1

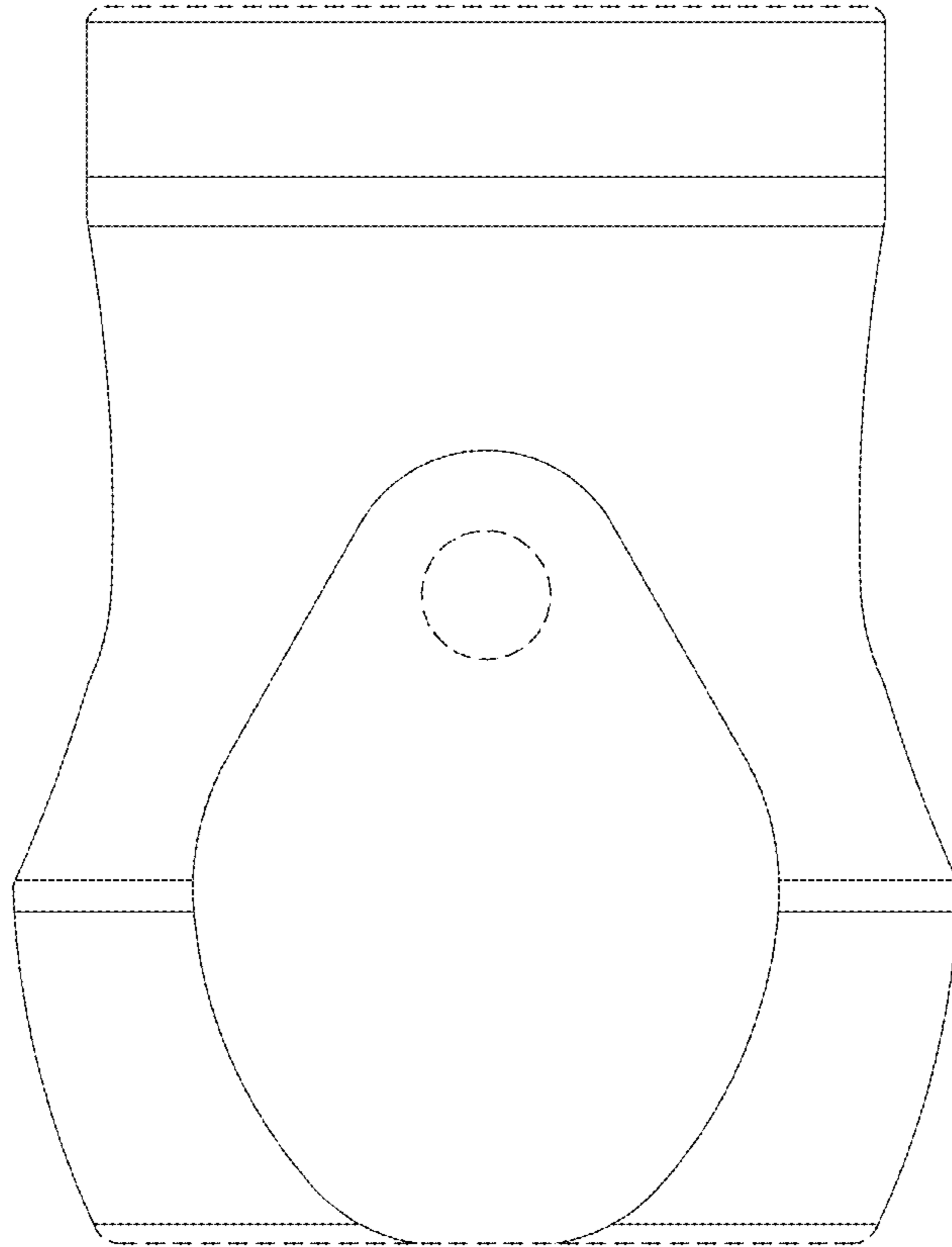


FIG. 2

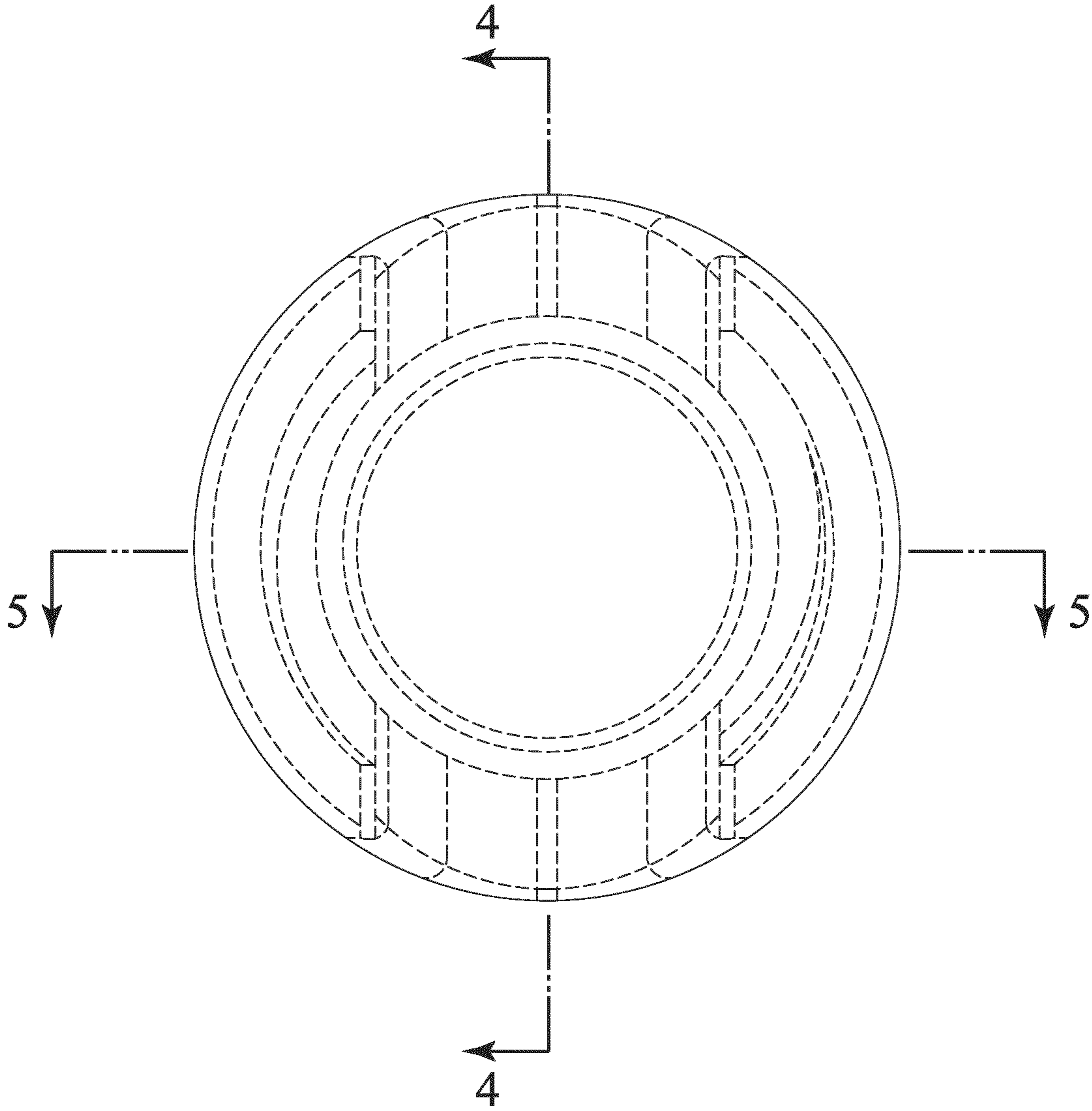


FIG. 3

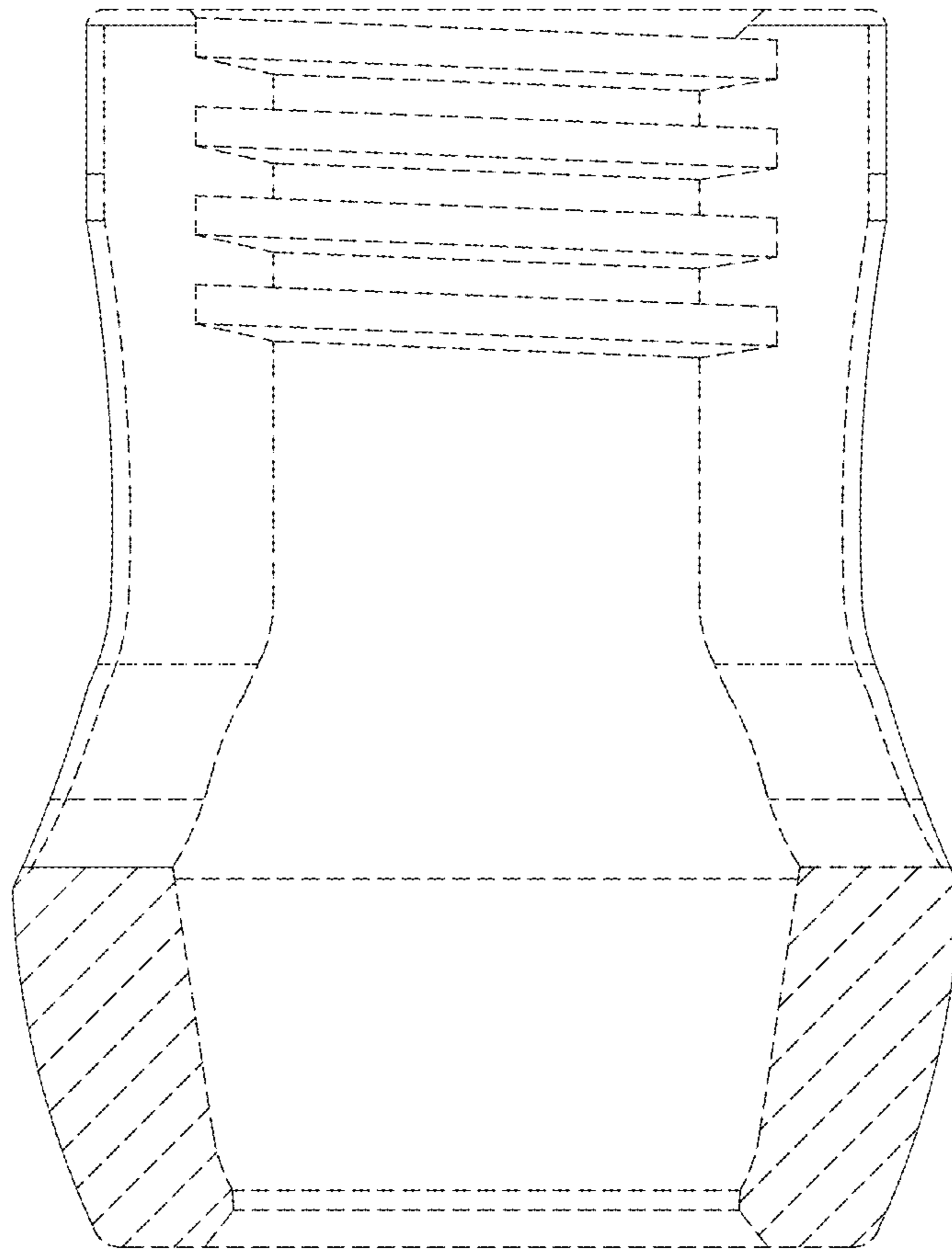


FIG. 4

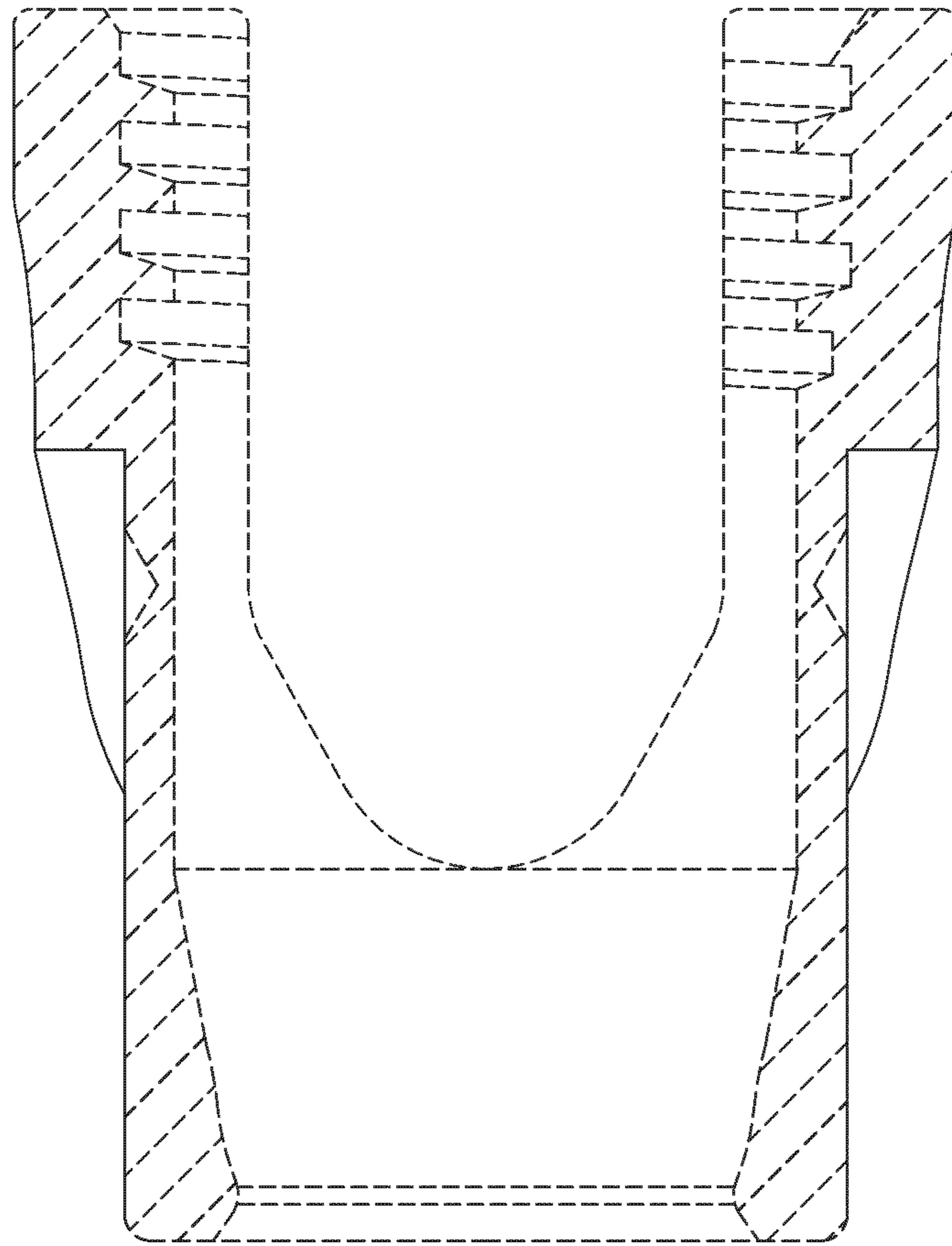


FIG. 5