



US00D746459S

(12) **United States Design Patent**
Kaercher et al.

(10) **Patent No.:** **US D746,459 S**

(45) **Date of Patent:** **** Dec. 29, 2015**

(54) **LAPAROSCOPIC VACUUM GRASPER**

(71) Applicant: **KARL STORZ GmbH & Co. KG**,
Tuttlingen (DE)

(72) Inventors: **Daniel Kaercher**, Radolfzell (DE);
Sebastian Wagner, Bretten (DE);
Durandus Vonck, Delft (NL); **Jack**
Jakimowicz, Heeze (NL)

(73) Assignee: **KARL STORZ GmbH & Co. KG**,
Tuttlingen (DE)

(**) Term: **14 Years**

(21) Appl. No.: **29/491,907**

(22) Filed: **May 27, 2014**

(30) **Foreign Application Priority Data**

Nov. 14, 2013 (EM) 002345470-0001

(51) **LOC (10) Cl.** **24-02**

(52) **U.S. Cl.**
USPC **D24/147**; D24/133; D24/143

(58) **Field of Classification Search**
USPC D24/108, 113, 129, 130, 133, 138, 140,
D24/143, 145, 146, 147, 167, 214; 600/101,
600/204, 218; 604/192, 254, 256; 606/46,
606/185

See application file for complete search history.

(56) **References Cited**

U.S. PATENT DOCUMENTS

D350,606 S * 9/1994 Koros D24/143
D351,653 S * 10/1994 Koros D24/143
5,352,235 A * 10/1994 Koros A61B 17/320016
606/170

D384,413 S * 9/1997 Zlock D24/145
6,004,337 A * 12/1999 Kieturakis 600/204
D575,395 S * 8/2008 Hushka D24/133
8,236,025 B2 * 8/2012 Hushka A61B 18/1445
606/207
D708,746 S * 7/2014 Cabrera D24/133
2011/0040308 A1 * 2/2011 Cabrera A61B 17/0469
606/144

* cited by examiner

Primary Examiner — Ian Simmons

Assistant Examiner — Samantha Q Lawrence

(74) *Attorney, Agent, or Firm* — Muncy, Geissler, Olds &
Lowe, P.C.

(57) **CLAIM**

The ornamental design for a laparoscopic vacuum grasper, as
shown and described.

DESCRIPTION

FIG. 1 is a perspective view of a laparoscopic vacuum grasper
according to the present invention.

FIG. 2 is a front view of the laparoscopic vacuum grasper of
FIG. 1.

FIG. 3 is a rear view of the laparoscopic vacuum grasper of
FIG. 1.

FIG. 4 is a left side view of the laparoscopic vacuum grasper
of FIG. 1.

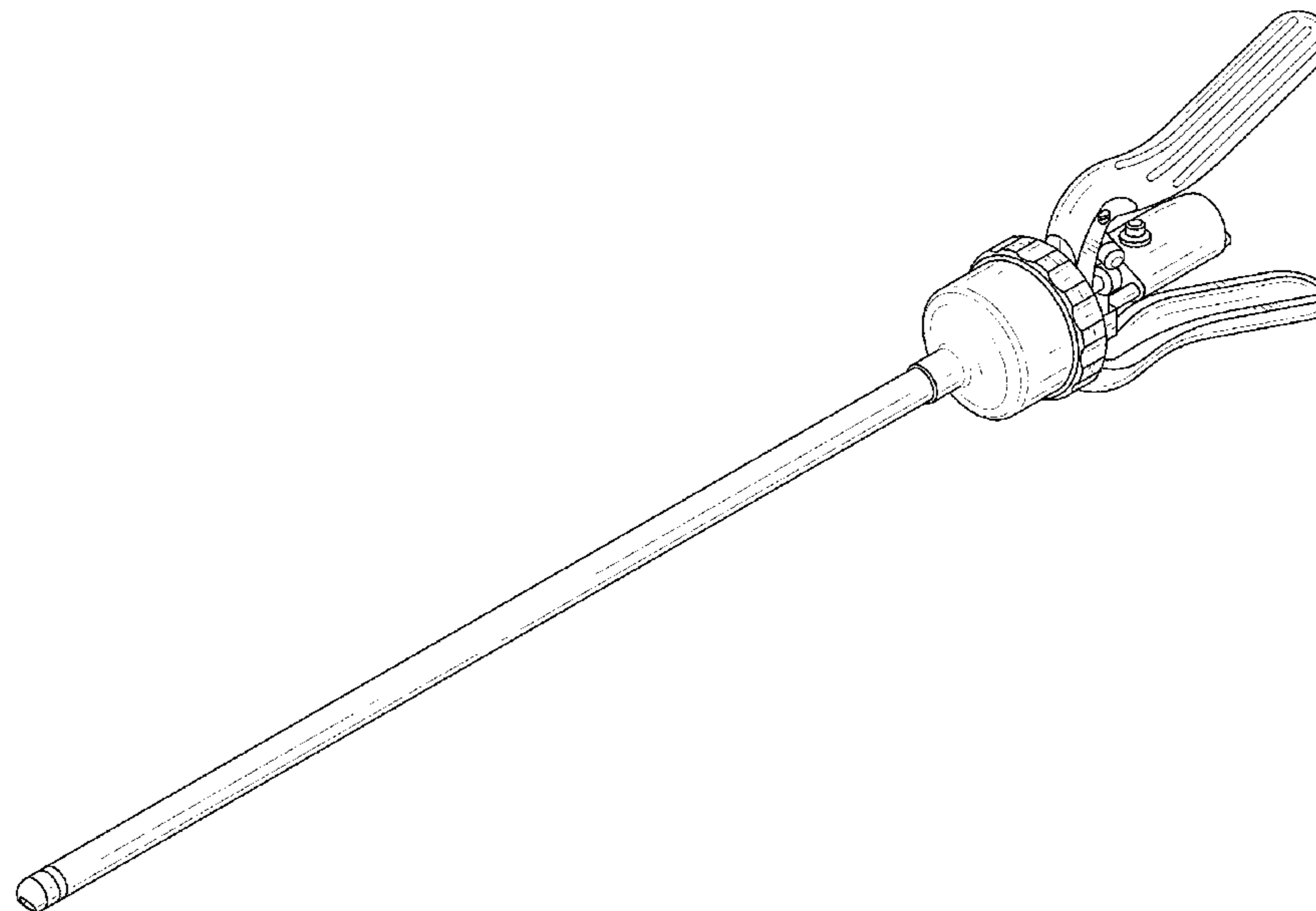
FIG. 5 is a right side view of the laparoscopic vacuum grasper
of FIG. 1.

FIG. 6 is a top view of the laparoscopic vacuum grasper of
FIG. 1; and,

FIG. 7 is a bottom view of the laparoscopic vacuum grasper of
FIG. 1.

The dashed lines shown in FIG. 2 illustrate portions of the
laparoscopic vacuum grasper that form no part of the claimed
design.

1 Claim, 7 Drawing Sheets



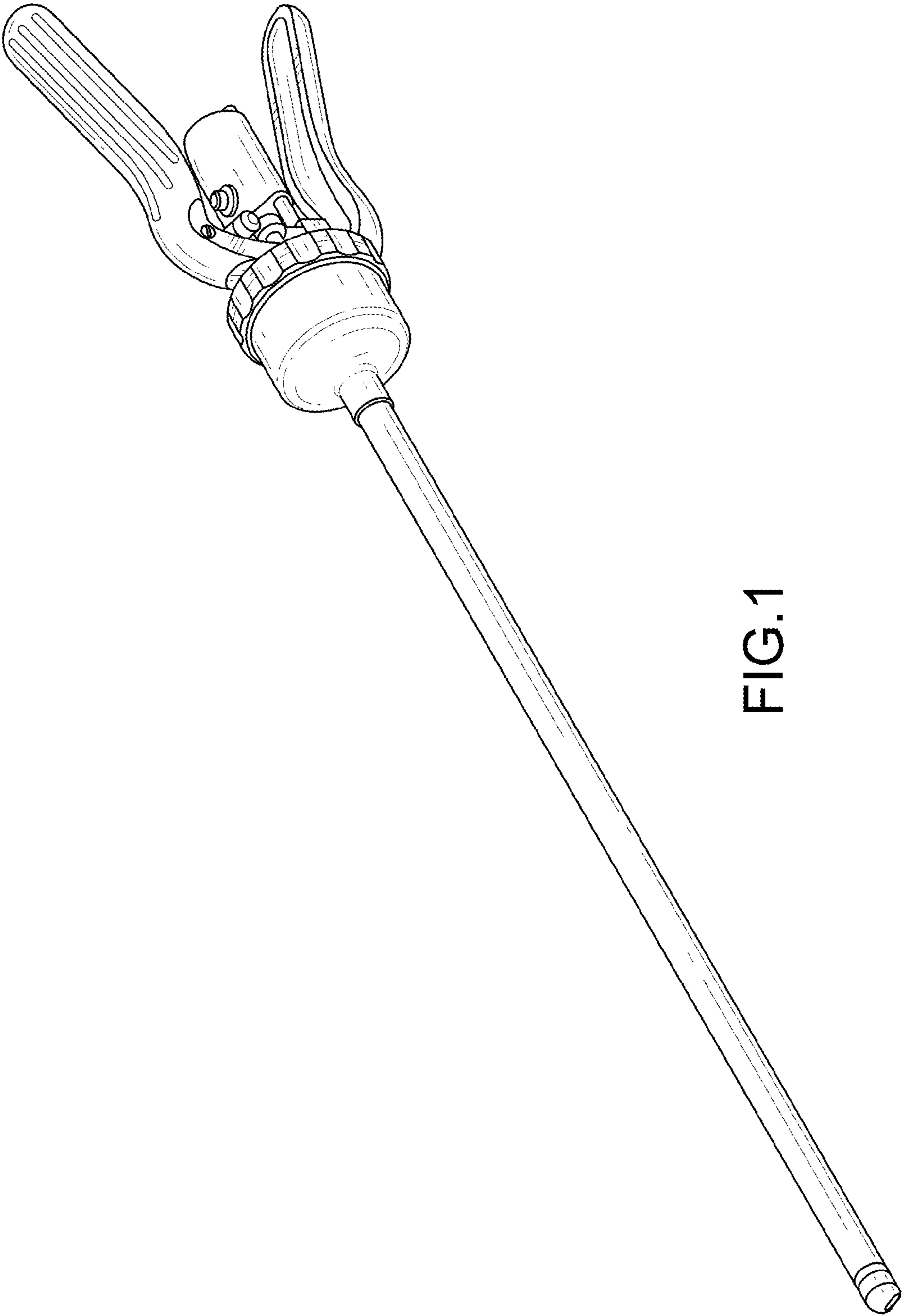


FIG.1

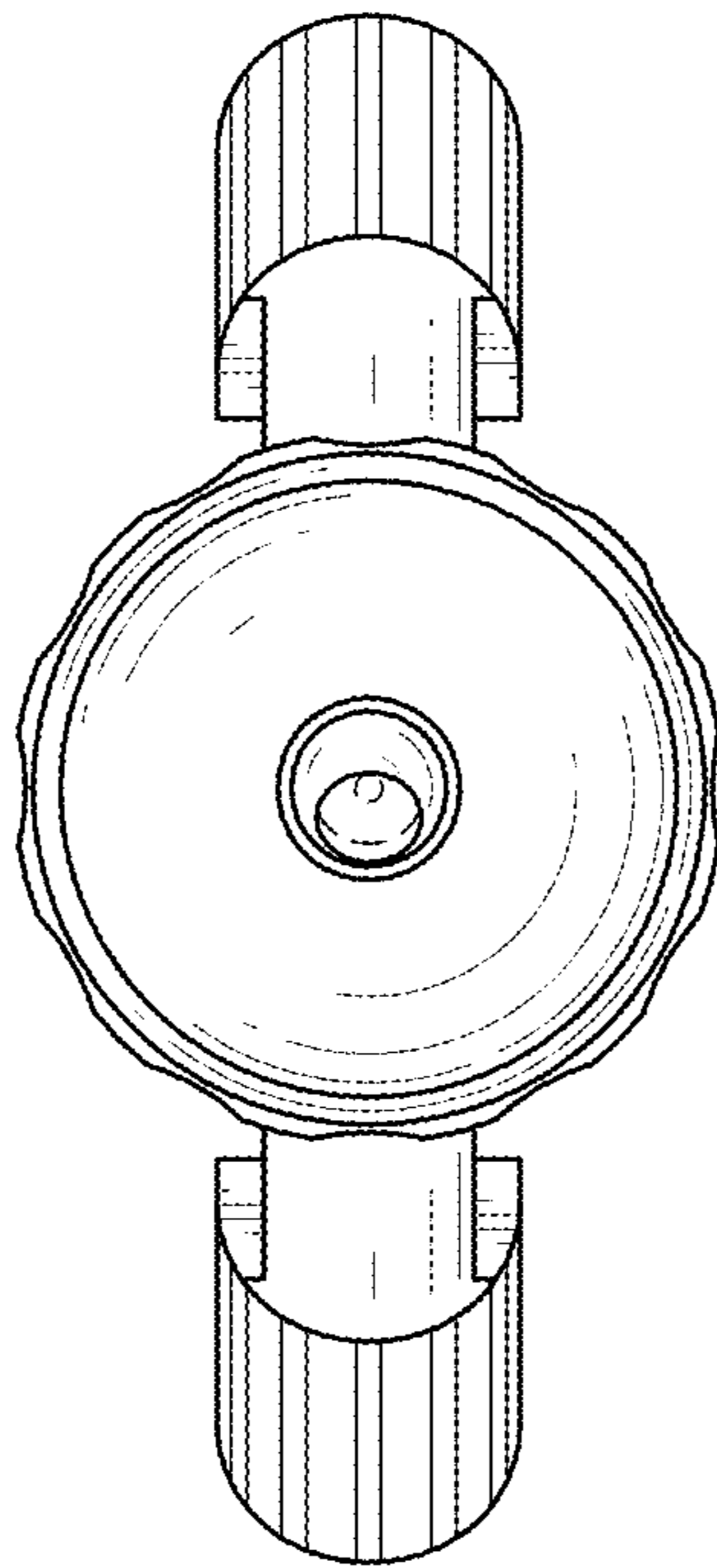


FIG.2

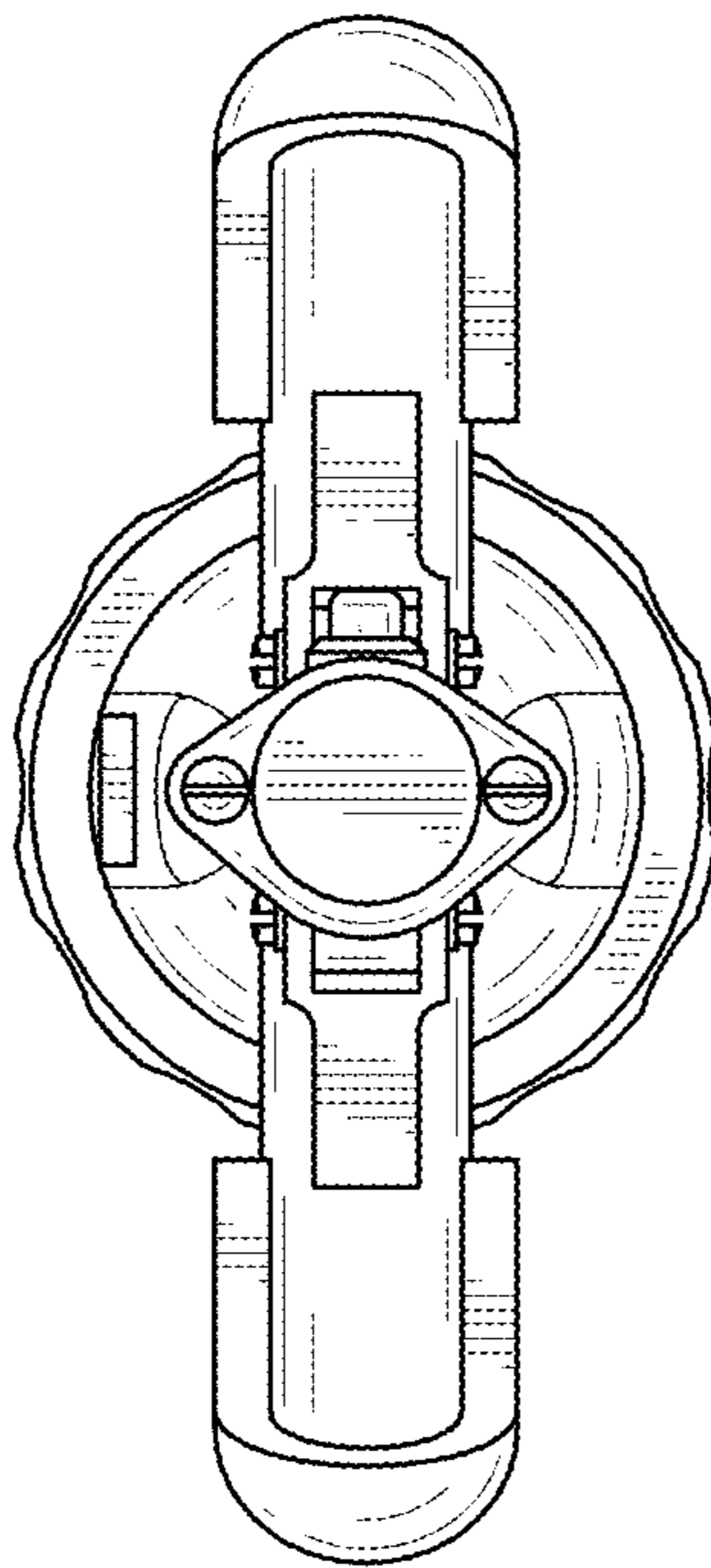


FIG.3

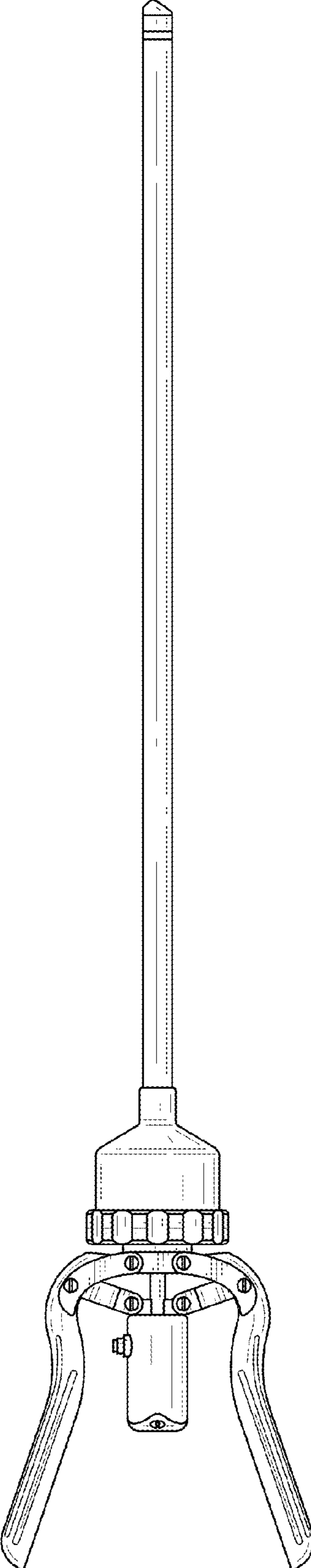


FIG.4

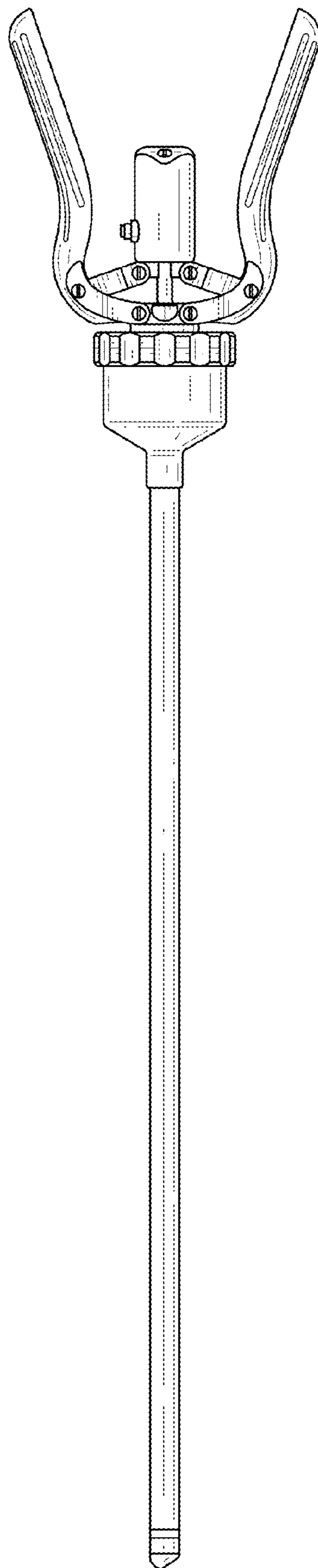


FIG.5

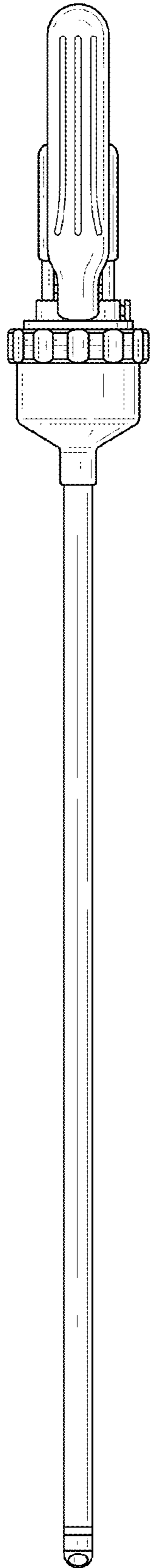


FIG.6

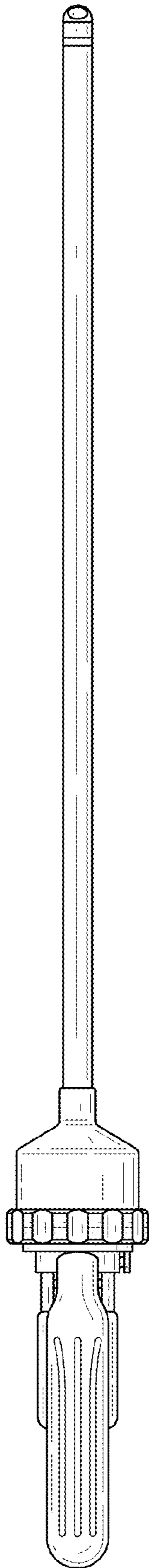


FIG.7