



US00D746458S

(12) **United States Design Patent**
Imori et al.

(10) **Patent No.:** **US D746,458 S**
(45) **Date of Patent:** **** Dec. 29, 2015**

- (54) **LANCET**
- (71) Applicant: **ASAHI POLYSLIDER CO., LTD.**,
Maniwa (JP)
- (72) Inventors: **Hirokazu Imori**, Maniwa (JP); **Hiroshi Hanafusa**, Maniwa (JP)
- (73) Assignee: **Asahi Polyslider Co., Ltd.**, Okayama (JP)
- (**) Term: **14 Years**
- (21) Appl. No.: **29/487,720**
- (22) Filed: **Apr. 11, 2014**
- (51) **LOC (10) Cl.** **24-02**
- (52) **U.S. Cl.**
USPC **D24/147**
- (58) **Field of Classification Search**
USPC D24/133, 130, 113, 114, 147, 146;
600/385, 600, 573, 583, 167, 172,
600/181-185; 210/453
CPC A61B 17/32; A61B 2017/320004;
A61B 17/320016
See application file for complete search history.

D444,557	S	*	7/2001	Levaughn et al.	D24/146
6,283,982	B1	*	9/2001	Levaughn et al.	606/172
D499,182	S	*	11/2004	Moore et al.	D24/146
D621,044	S	*	8/2010	Trissel et al.	D24/147
D645,147	S	*	9/2011	Ruf	D24/147
D645,148	S	*	9/2011	Ruf	D24/147
D651,713	S	*	1/2012	Shi	D24/147
2001/0039387	A1	*	11/2001	Rutynowski et al.	600/573
2004/0162573	A1	*	8/2004	Kheiri	606/182
2008/0065132	A1	*	3/2008	Trissel et al.	606/182

FOREIGN PATENT DOCUMENTS

JP	1348135	1/2009
JP	5336601 B2	11/2013

* cited by examiner

Primary Examiner — Ian Simmons

Assistant Examiner — Carissa C Fitts

(74) *Attorney, Agent, or Firm* — Bacon & Thomas, PLLC

(57) **CLAIM**

The ornamental design for a lancet, as shown and described.

DESCRIPTION

FIG. 1 is a front view of a lancet showing our new design; the back view being a mirror image of the front view;
 FIG. 2 is a plan view thereof;
 FIG. 3 is a bottom view thereof;
 FIG. 4 is a right-side view thereof; the left side view being a mirror image of the right-side view;
 FIG. 5 is a prospective view thereof; and,
 FIG. 6 is another prospective view with a cap taken off.
 The broken lines shown in FIG. 2 represent unclaimed features of the lancet and form no part of the claimed design.

1 Claim, 6 Drawing Sheets

(56) **References Cited**

U.S. PATENT DOCUMENTS

D374,284	S	*	10/1996	Stone et al.	D24/145
D374,285	S	*	10/1996	DeFonzo et al.	D24/145
D376,649	S	*	12/1996	Kim	D24/147
D412,985	S	*	8/1999	Weekes	D24/146
5,984,940	A	*	11/1999	Davis et al.	606/181

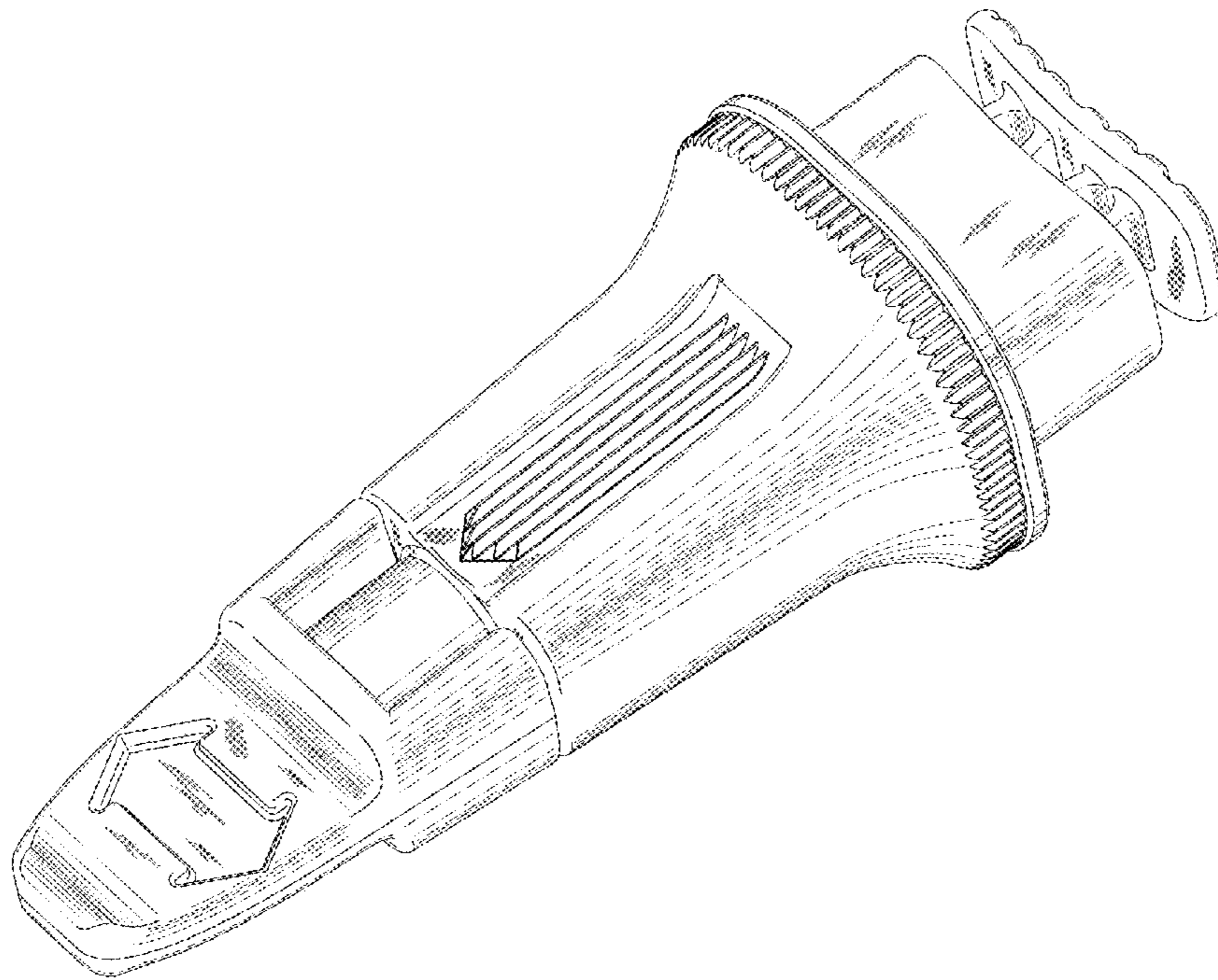


FIG.1

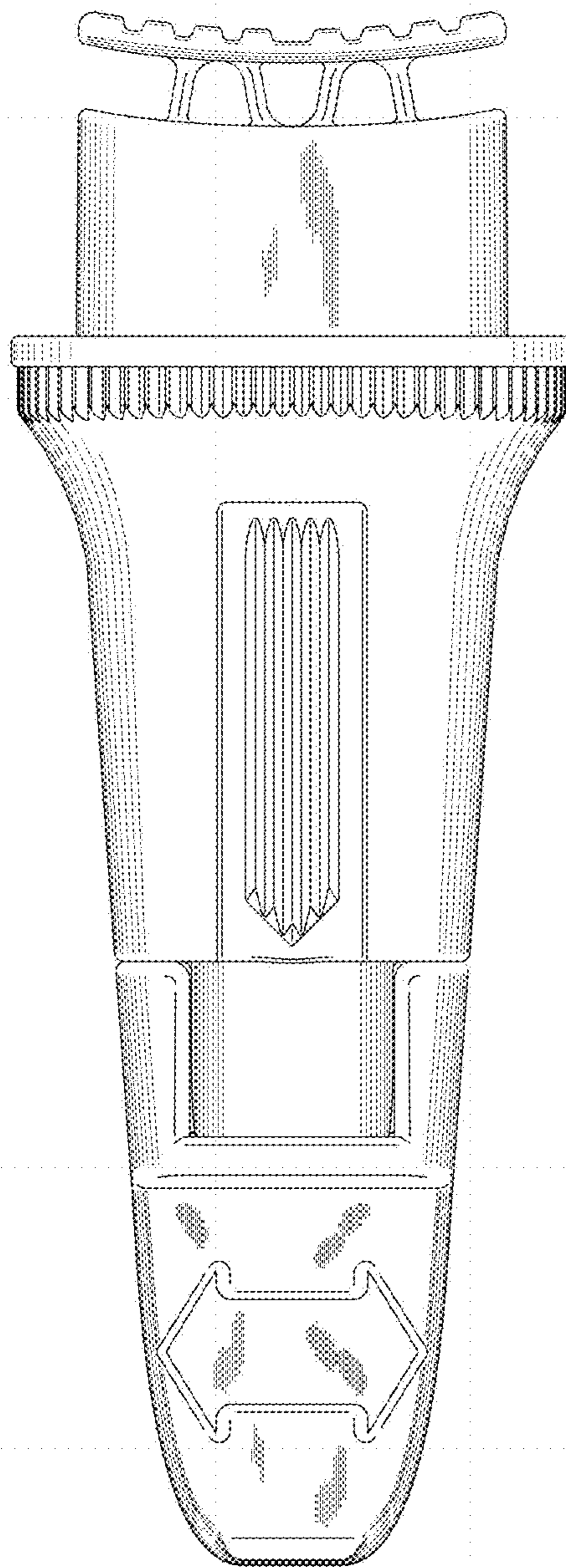


FIG.2

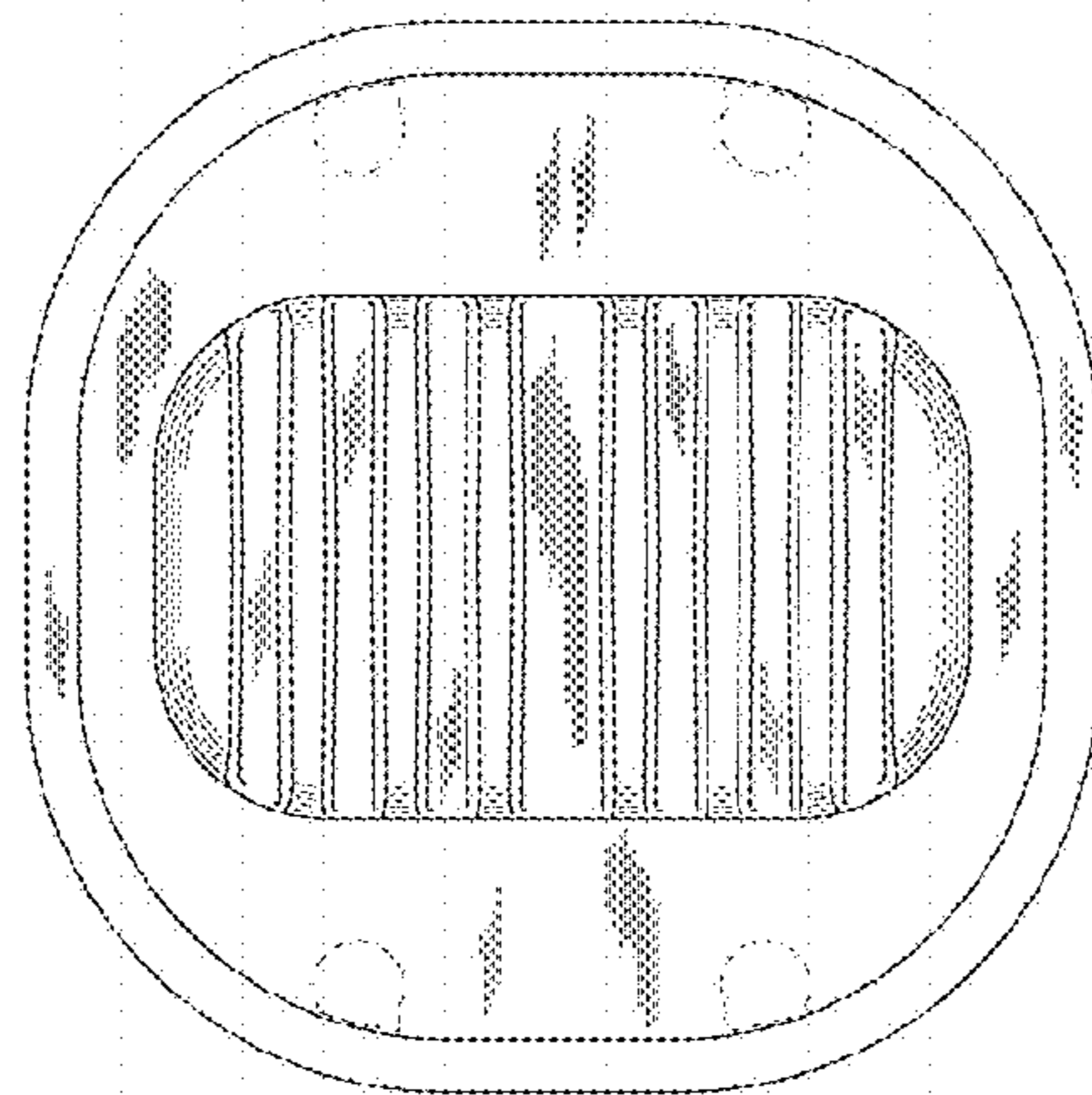


FIG.3

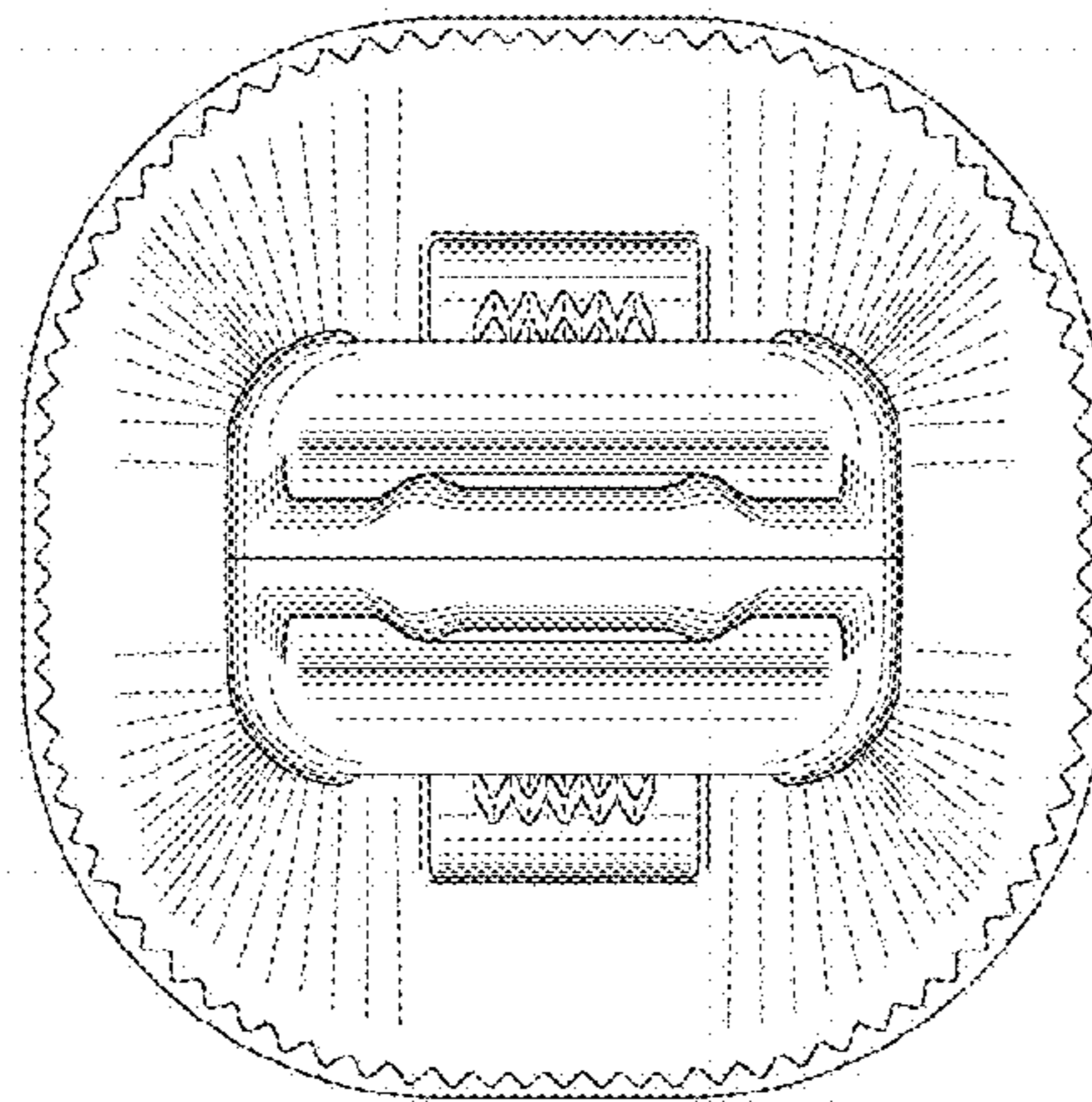


FIG.4

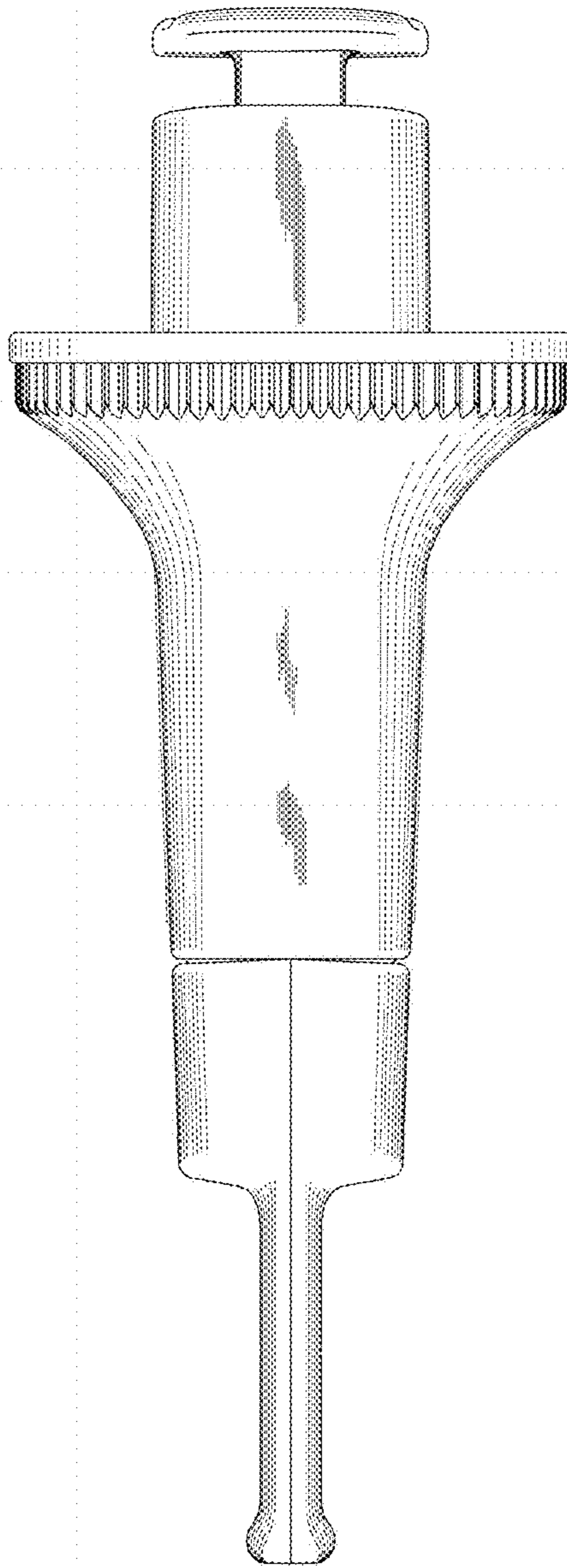


FIG.5

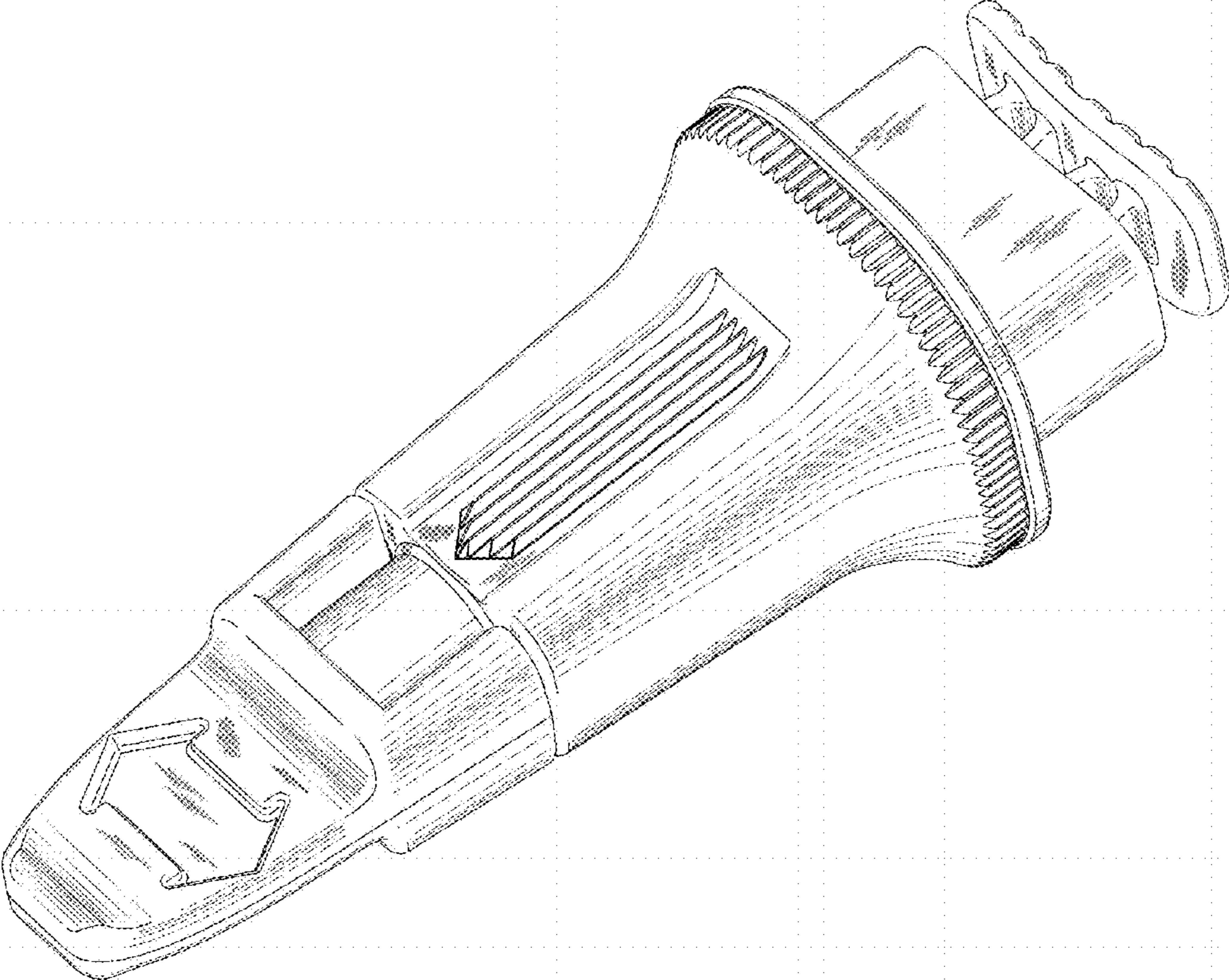


FIG.6

