



US00D746457S

(12) **United States Design Patent**
Swick et al.

(10) **Patent No.:** **US D746,457 S**
(45) **Date of Patent:** **** Dec. 29, 2015**

(54) **BIOPSY DEVICE**

(71) Applicant: **HOLOGIC, INC.**, Marlborough, MA
(US)

(72) Inventors: **Zachary Stephen Swick**, Westborough,
MA (US); **Brett Haarala**, Framingham,
MA (US)

(73) Assignee: **HOLOGIC, INC.**, Marlborough, MA
(US)

(**) Term: **14 Years**

(21) Appl. No.: **29/485,006**

(22) Filed: **Mar. 14, 2014**

(51) **LOC (10) Cl.** **24-02**

(52) **U.S. Cl.**
USPC **D24/146**

(58) **Field of Classification Search**
USPC D24/146, 147, 133, 130, 113, 114;
600/385, 573, 583; 606/167, 172,
606/181-185; 210/453
CPC A61B 5/00; A61B 5/15; A61B 17/32;
A61B 17/32053
See application file for complete search history.

(56) **References Cited**

U.S. PATENT DOCUMENTS

5,476,101	A	12/1995	Schramm et al.	
D376,649	S *	12/1996	Kim	D24/147
6,142,955	A	11/2000	Farascioni et al.	
D444,557	S *	7/2001	Levaughn et al.	D24/146
D445,183	S *	7/2001	McWethy et al.	D24/130
D567,944	S *	4/2008	Sarna	D24/146
D621,044	S *	8/2010	Trissel et al.	D24/147

D621,045	S *	8/2010	Trissel et al.	D24/147
8,636,672	B2 *	1/2014	Neel et al.	600/583
D710,008	S *	7/2014	Yoo	D24/147
2003/0109895	A1 *	6/2003	Taylor et al.	606/181
2003/0144608	A1 *	7/2003	Kojima et al.	600/583
2008/0065132	A1 *	3/2008	Trissel et al.	606/182

FOREIGN PATENT DOCUMENTS

WO 2013/026043 A1 2/2013

* cited by examiner

Primary Examiner — Ian Simmons

Assistant Examiner — Carissa C Fitts

(74) *Attorney, Agent, or Firm* — Vista IP Law Group, LLP

(57) **CLAIM**

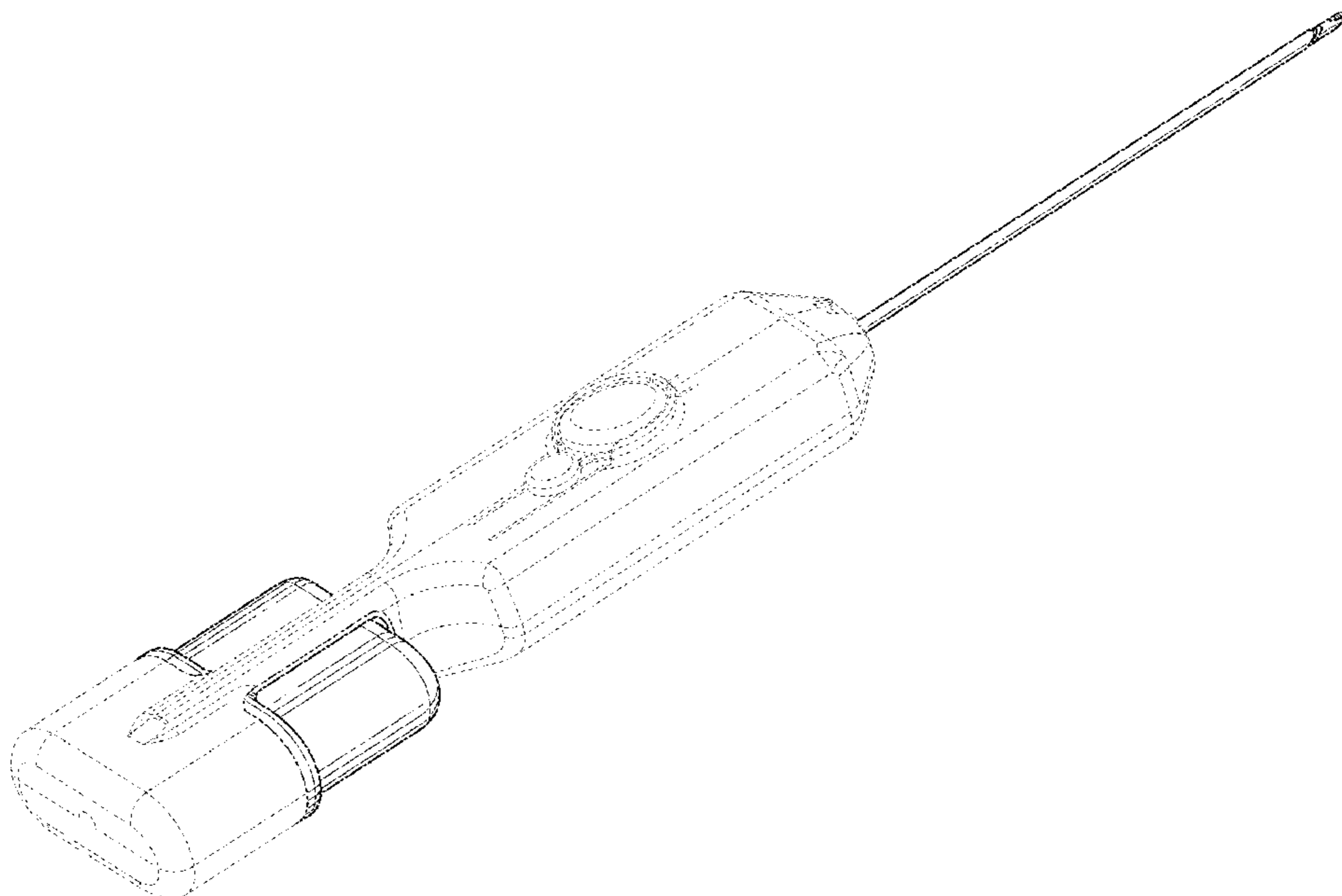
The ornamental design for a biopsy device, as shown and described.

DESCRIPTION

FIG. 1 is a perspective view of the biopsy device showing my new design;
FIG. 2 is an exploded and enlarged right side elevational view of the biopsy device of FIG. 1;
FIG. 3 is an exploded and enlarged left side elevational view of the biopsy device of FIG. 1;
FIG. 4 is a top plan view of the biopsy device of FIG. 1;
FIG. 5 is a bottom plan view of the biopsy device of FIG. 1;
FIG. 6 is a front elevational view of the biopsy device of FIG. 1; and,
FIG. 7 is a rear elevational view of the biopsy device of FIG. 1.

The dot-dash lines immediately adjacent the shaded areas represent the bounds of the claimed design while all other broken lines are directed to portions of the article not claimed and forms no part of the claimed design.

1 Claim, 7 Drawing Sheets



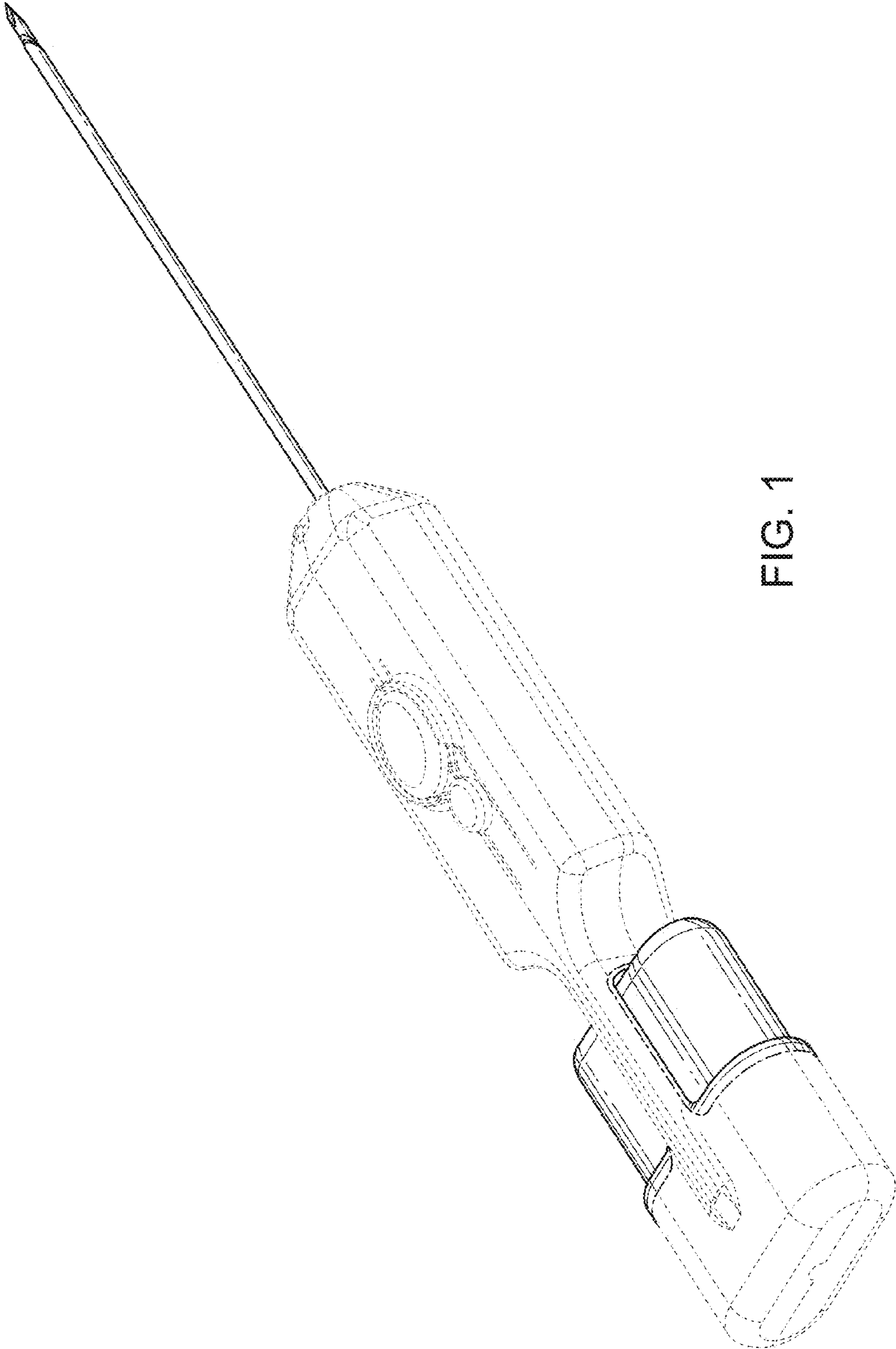


FIG. 1

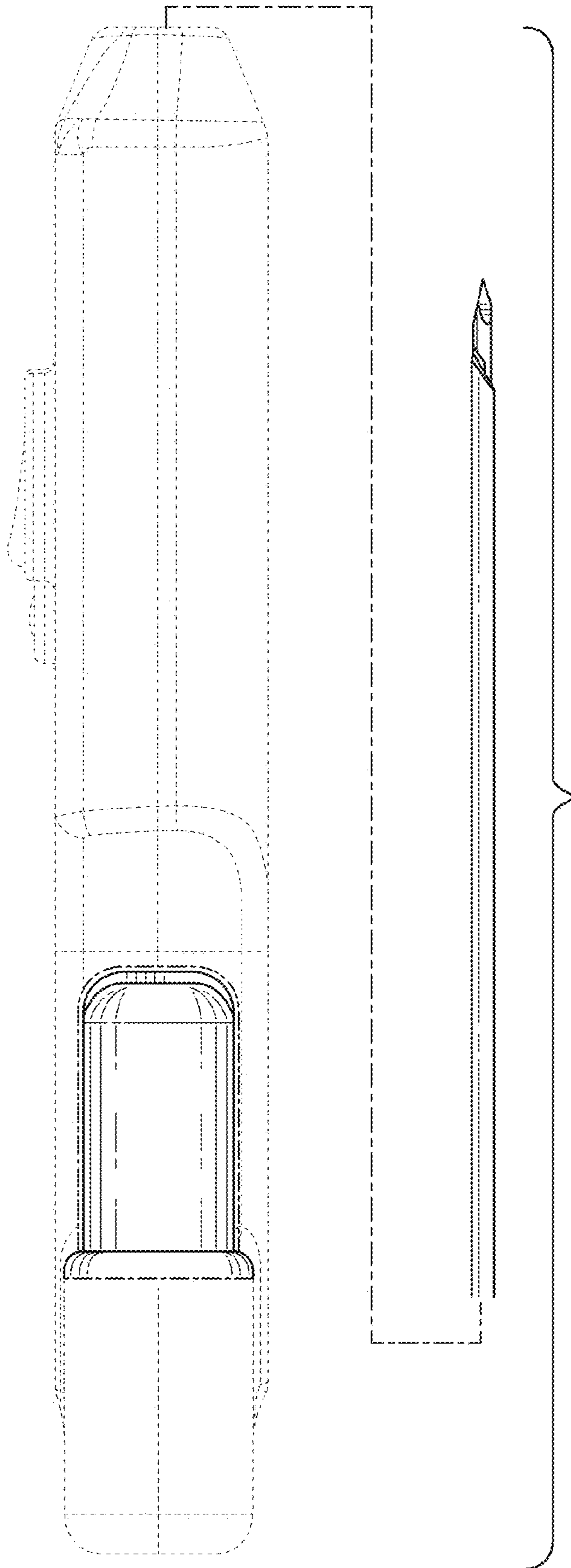


FIG. 2

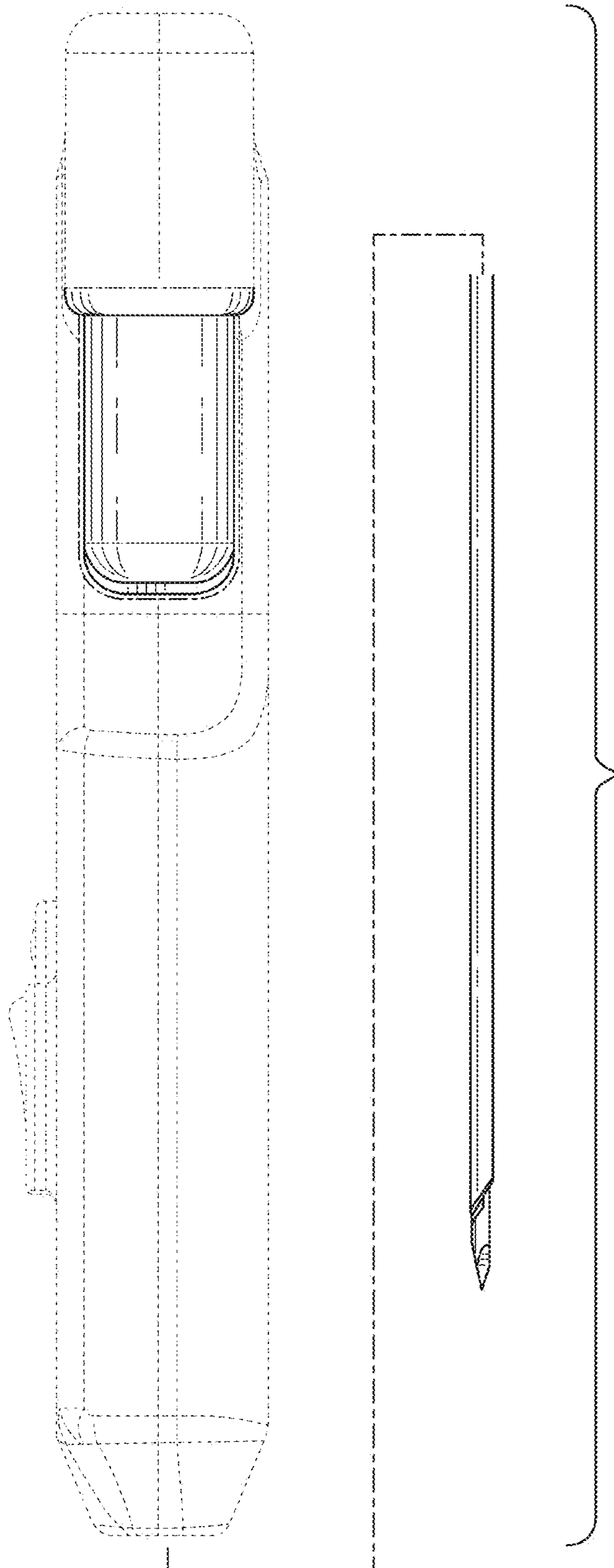


FIG. 3

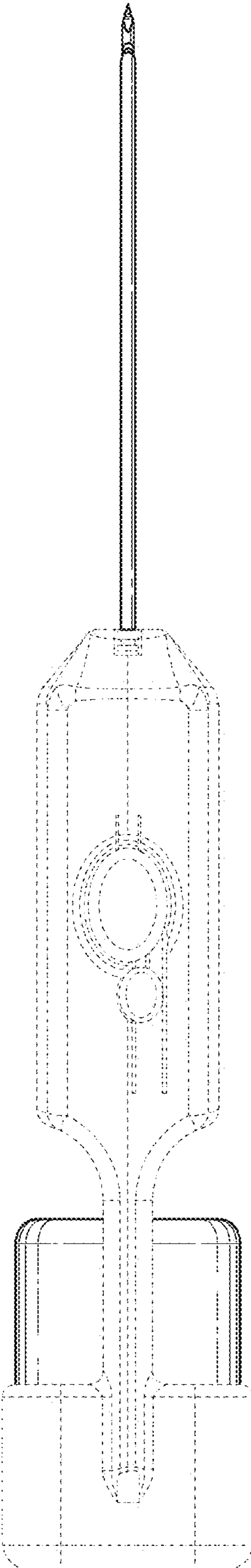


FIG. 4

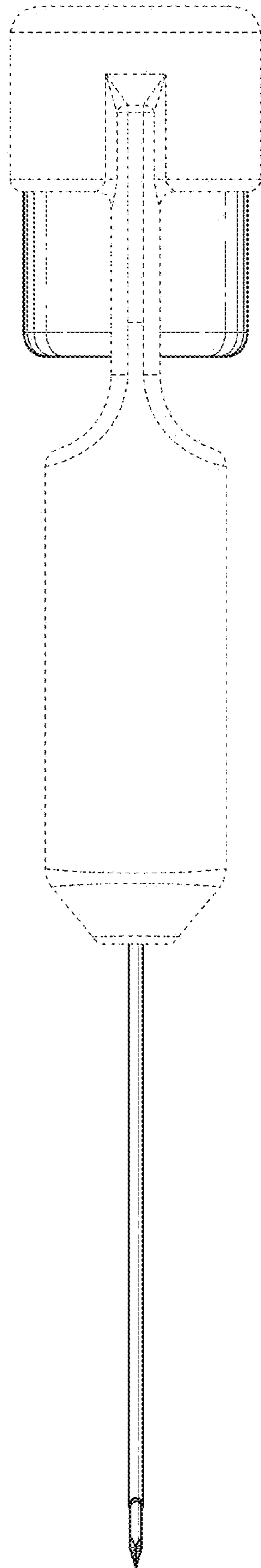


FIG. 5

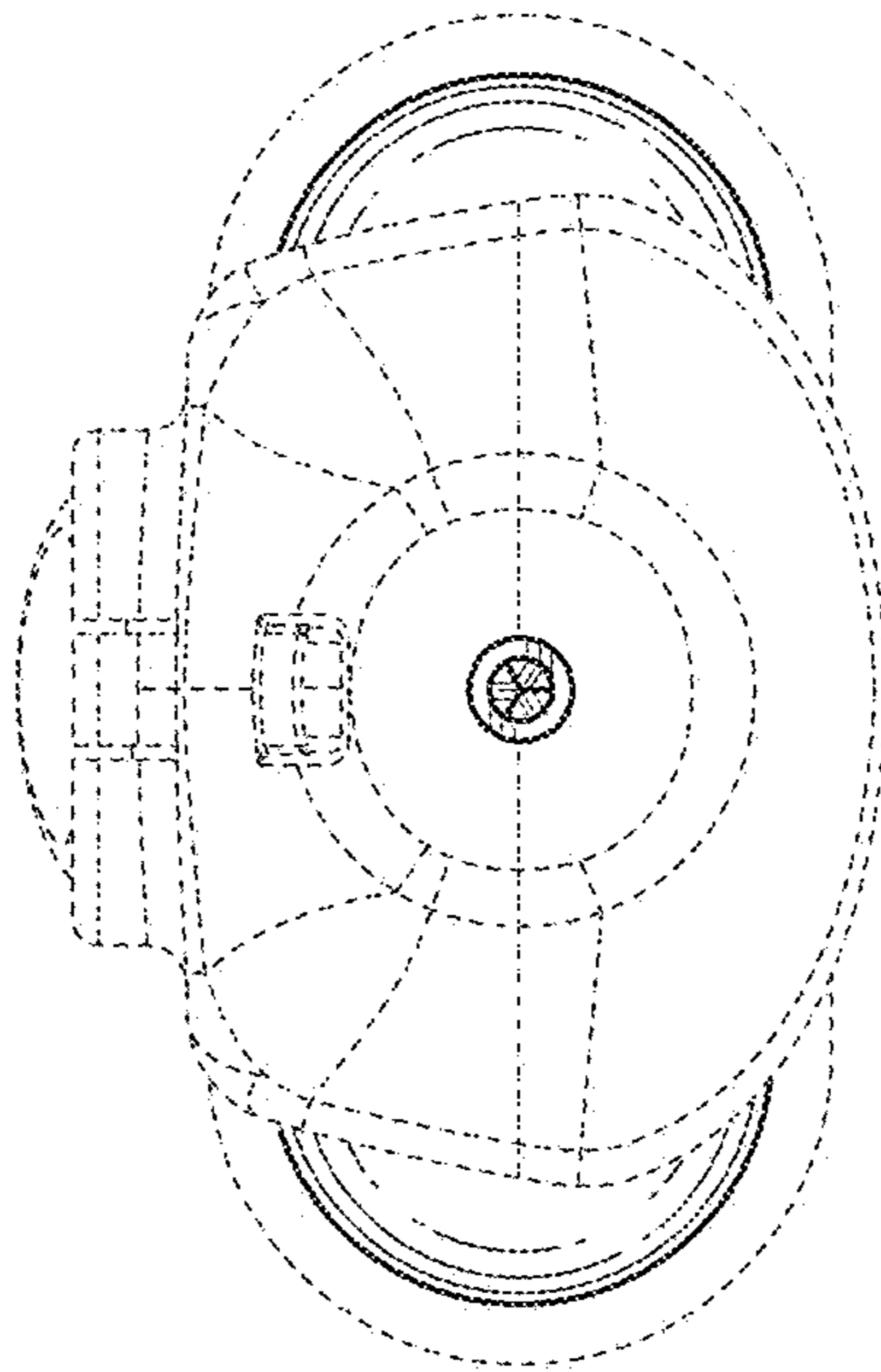


FIG. 6

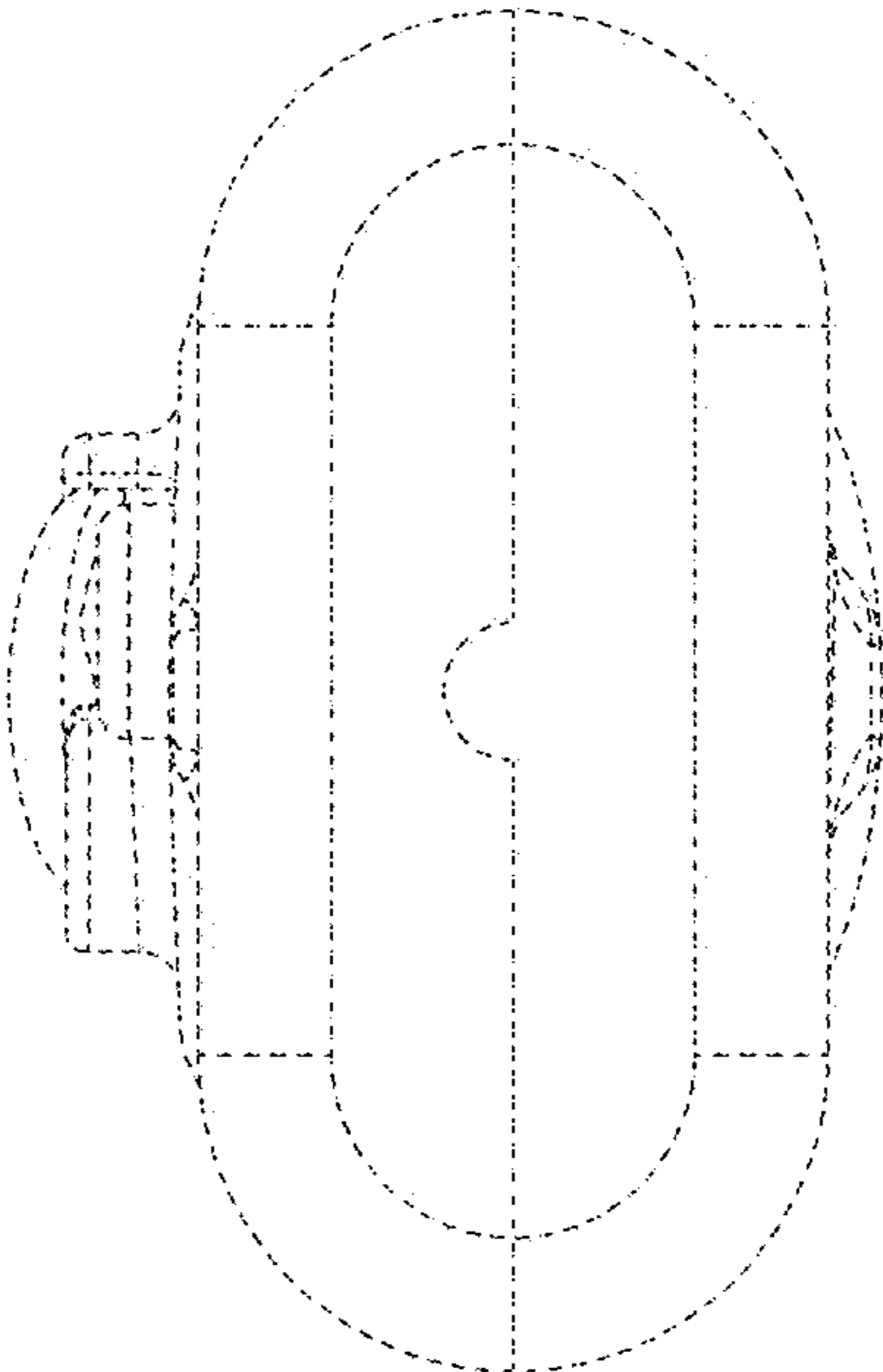


FIG. 7