

US00D746456S

(12) **United States Design Patent**  
**Harrison et al.**

(10) **Patent No.:** **US D746,456 S**

(45) **Date of Patent:** **\*\* Dec. 29, 2015**

(54) **SUTURE CUTTER**

(71) Applicant: **Anchor Orthopedics XT Inc.**,  
Mississauga (CA)

(72) Inventors: **Robert Harrison**, Milton (CA); **Neil Godara**, Milton (CA); **Jeffery Arnett**, Gilbert, AZ (US)

(73) Assignee: **ANCHOR ORTHOPEDICS XT INC.**,  
Mississauga, Ontario (CA)

(\*\*) Term: **14 Years**

(21) Appl. No.: **29/448,557**

(22) Filed: **Mar. 13, 2013**

(51) **LOC (10) Cl.** ..... **24-02**

(52) **U.S. Cl.**  
USPC ..... **D24/146**

(58) **Field of Classification Search**  
USPC ..... D7/649; D8/14.1, 29.1, 92, 93, 95, 97,  
D8/98, 99; D19/110, 115; D24/130, 133,  
D24/146, 147, 150, 151; 30/151, 162, 338,  
30/339; 606/4, 5, 6, 44, 107, 166  
CPC ..... A61F 9/00763; A61F 9/00754; A61B  
10/0275; A61B 10/04  
See application file for complete search history.

(56) **References Cited**

**U.S. PATENT DOCUMENTS**

D315,449	S	*	3/1991	Michaels et al.	.....	D4/104
D340,981	S	*	11/1993	Hood et al.	.....	D24/146
6,846,123	B1	*	1/2005	Bedford	.....	401/195
D675,735	S	*	2/2013	Harrison et al.	.....	D24/145
D694,609	S	*	12/2013	Hicks	.....	D8/98
D708,745	S	*	7/2014	Arnett	.....	D24/145
D713,708	S	*	9/2014	Hicks	.....	D8/98
D714,123	S	*	9/2014	Hicks	.....	D8/98
D715,124	S	*	10/2014	Hicks	.....	D8/98
2006/0253142	A1	*	11/2006	Bjerken	.....	606/139
2013/0046319	A1	*	2/2013	Arnett	.....	606/134

\* cited by examiner

*Primary Examiner* — Robert M Spear

*Assistant Examiner* — Marissa J Cash

(74) *Attorney, Agent, or Firm* — NIR Lifshitz; Glenn Arnold

(57) **CLAIM**

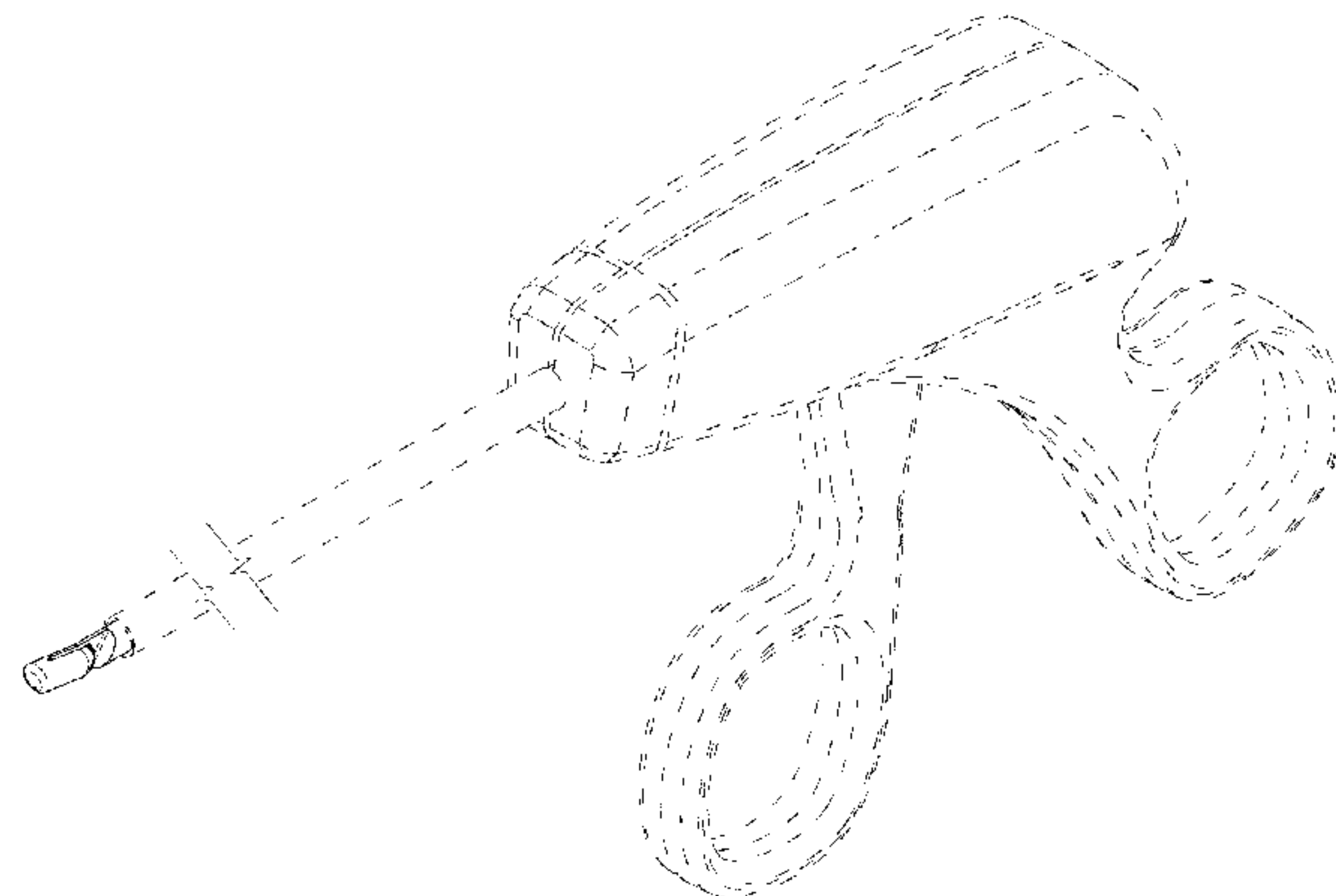
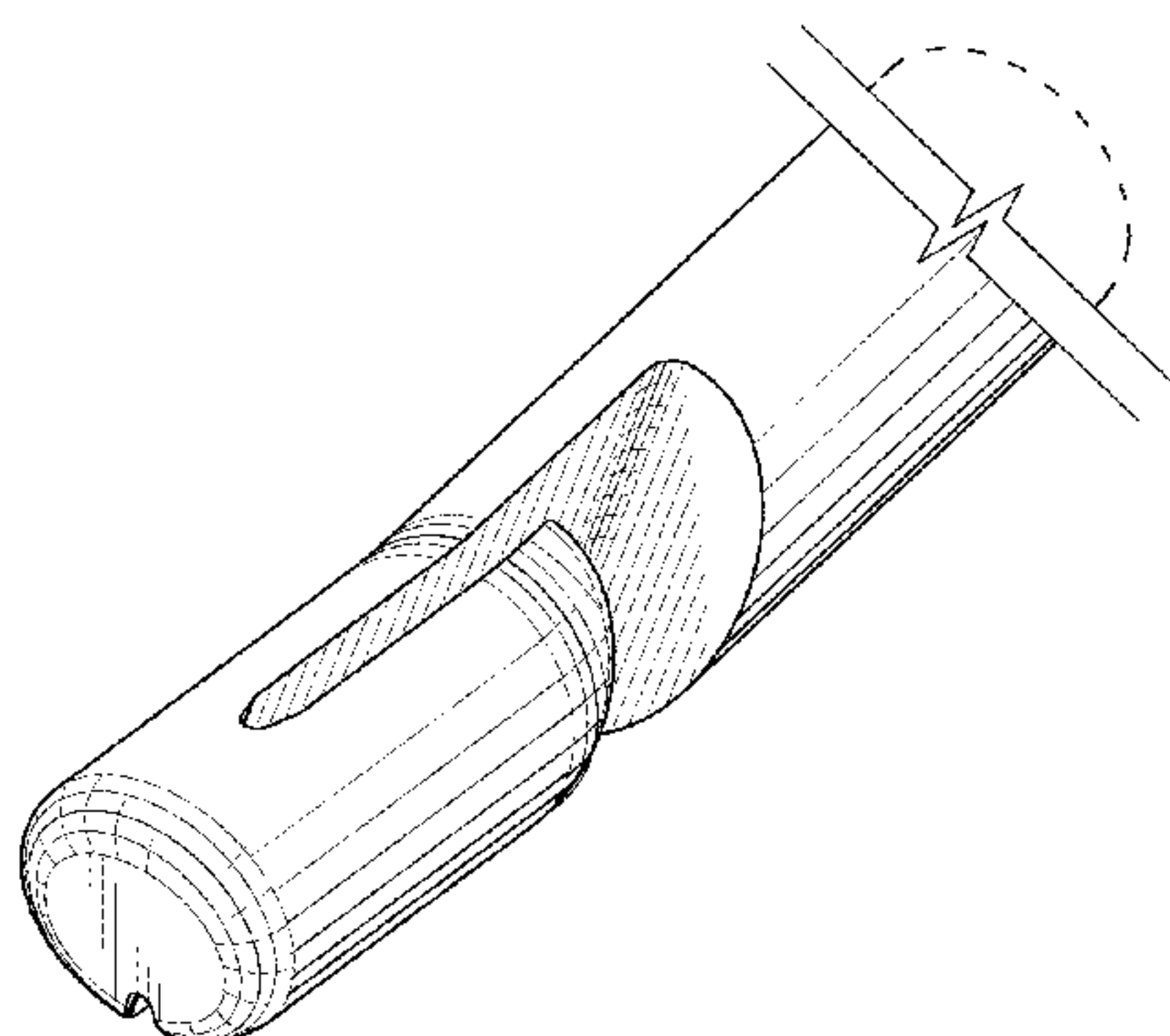
The ornamental design for a suture cutter, as shown and described.

**DESCRIPTION**

FIG. 1 is a top, front, left side perspective view of a suture cutter, showing our new design;  
FIG. 2 is a top, rear, right side perspective view of the suture cutter of FIG. 1;  
FIG. 3 is a bottom, front, left side perspective view of the suture cutter of FIG. 1;  
FIG. 4 is a left side elevational view of the suture cutter of FIG. 1;  
FIG. 5 is a right side elevational view of the suture cutter of FIG. 1;  
FIG. 6 is a top plan view of the suture cutter of FIG. 1;  
FIG. 7 is a bottom plan view of the suture cutter of FIG. 1;  
FIG. 8 is a front elevational view of the suture cutter of FIG. 1;  
FIG. 9 is a rear elevational view of the suture cutter of FIG. 1; and,  
FIG. 10 is a top, front, left side perspective view of the suture cutter of FIG. 1.

The suture cutter is shown with a symbolic break in its length in FIGS. 1-7, and 10. The appearance of any portion of the article between the break lines forms no part of the claimed design. All broken lines shown represent unclaimed subject matter and form no part of the claimed design; the broken lines immediately adjacent the shaded areas represent the bounds of the claimed design while all other broken lines are directed to environment and are for illustrative purposes only. Patentability is based only on those portions of the suture cutter that are shown in solid lines.

**1 Claim, 6 Drawing Sheets**



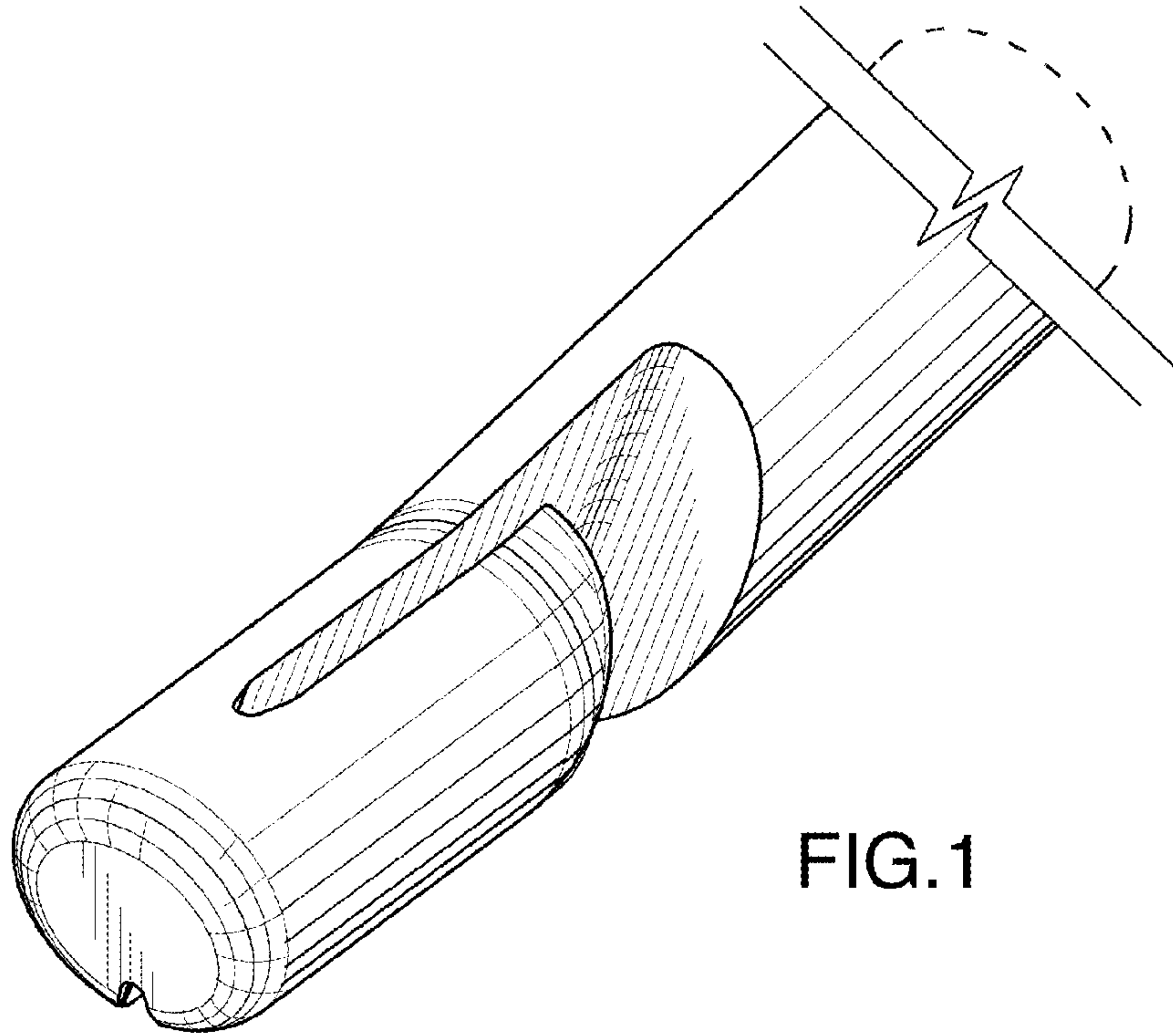


FIG. 1

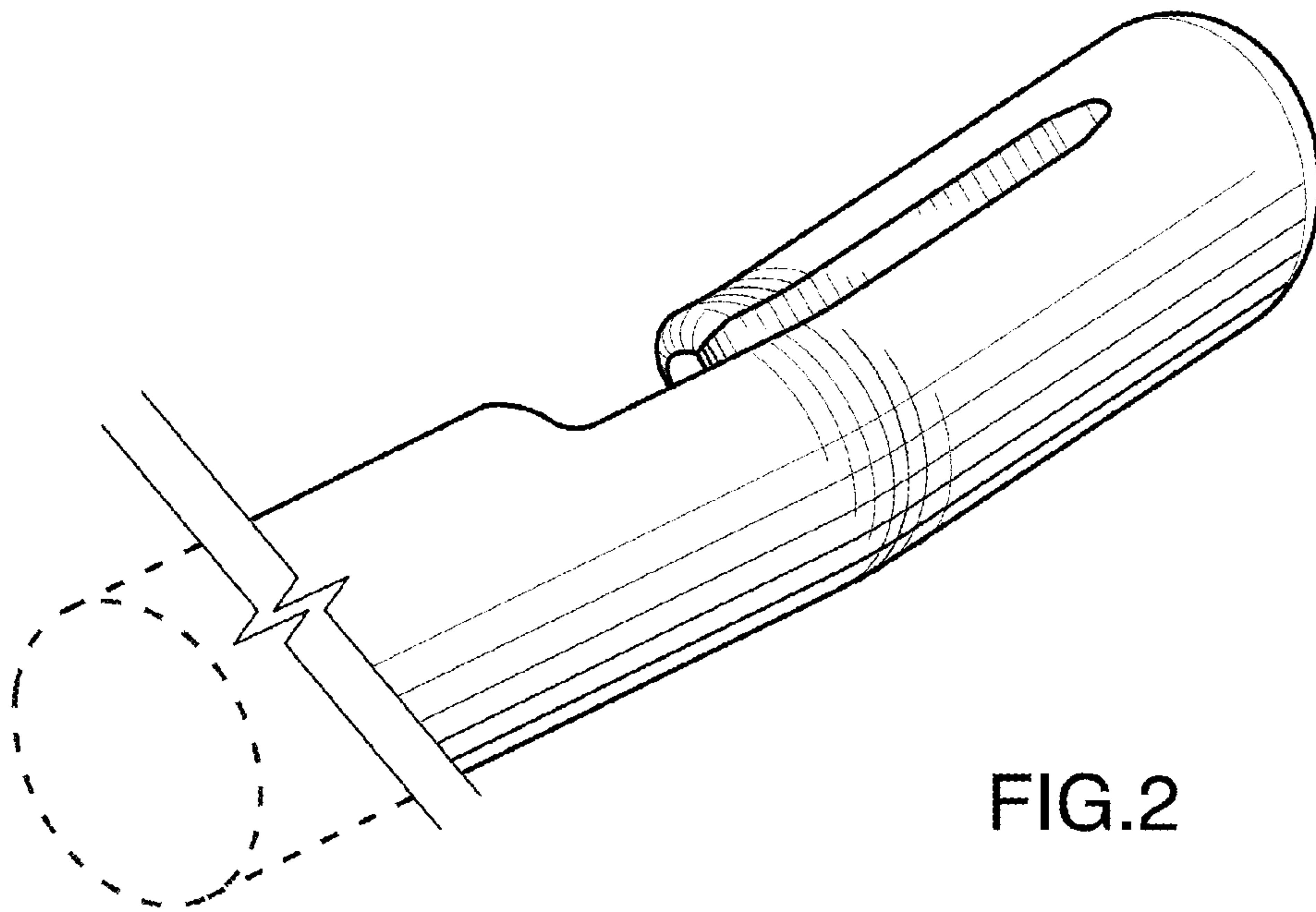


FIG. 2

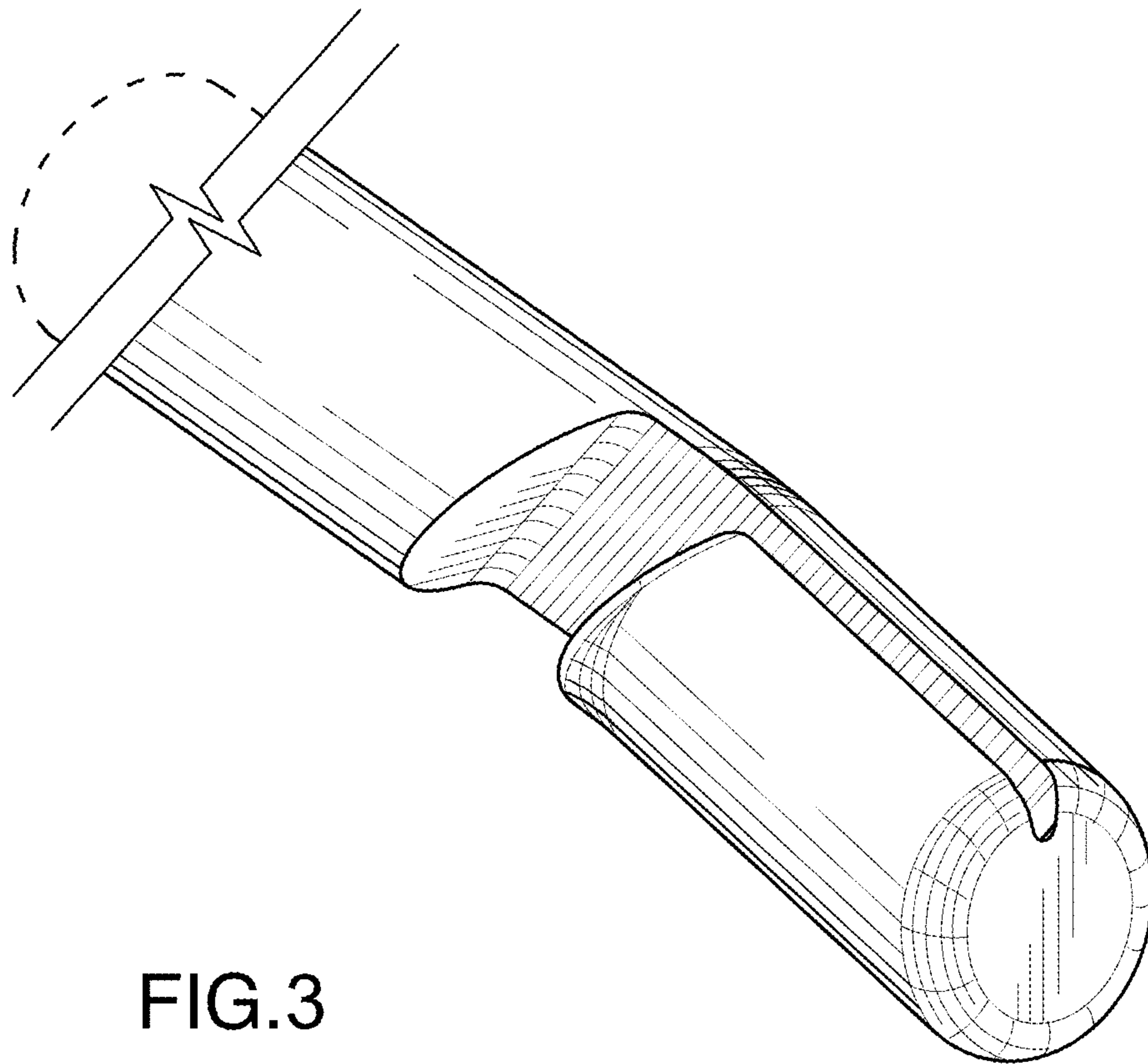


FIG.3

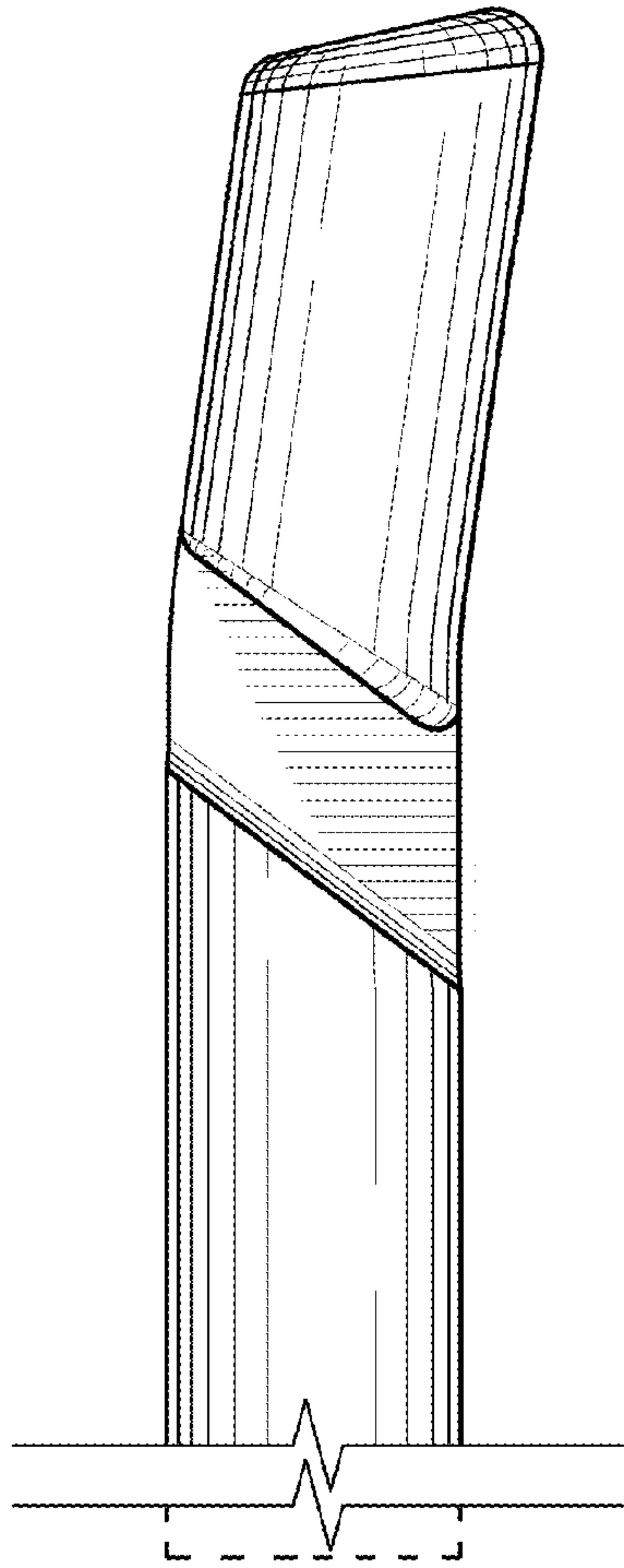


FIG.4

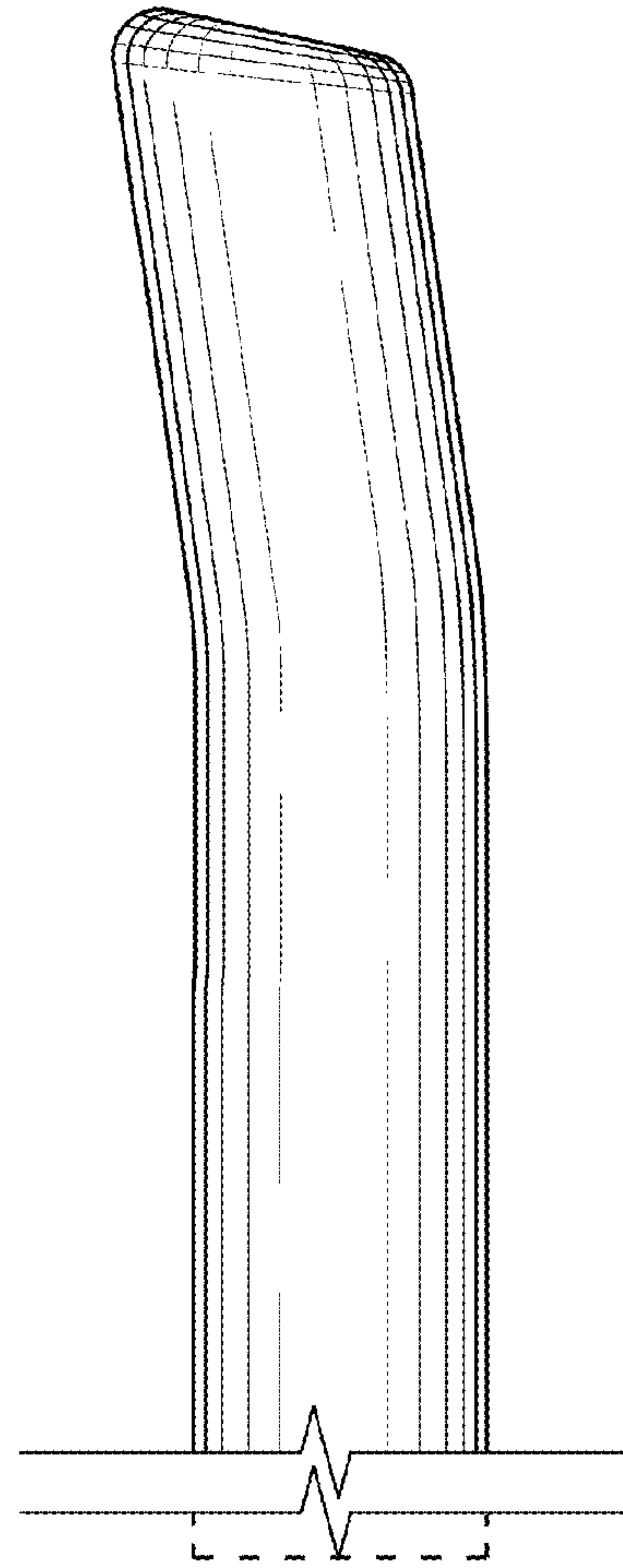


FIG.5



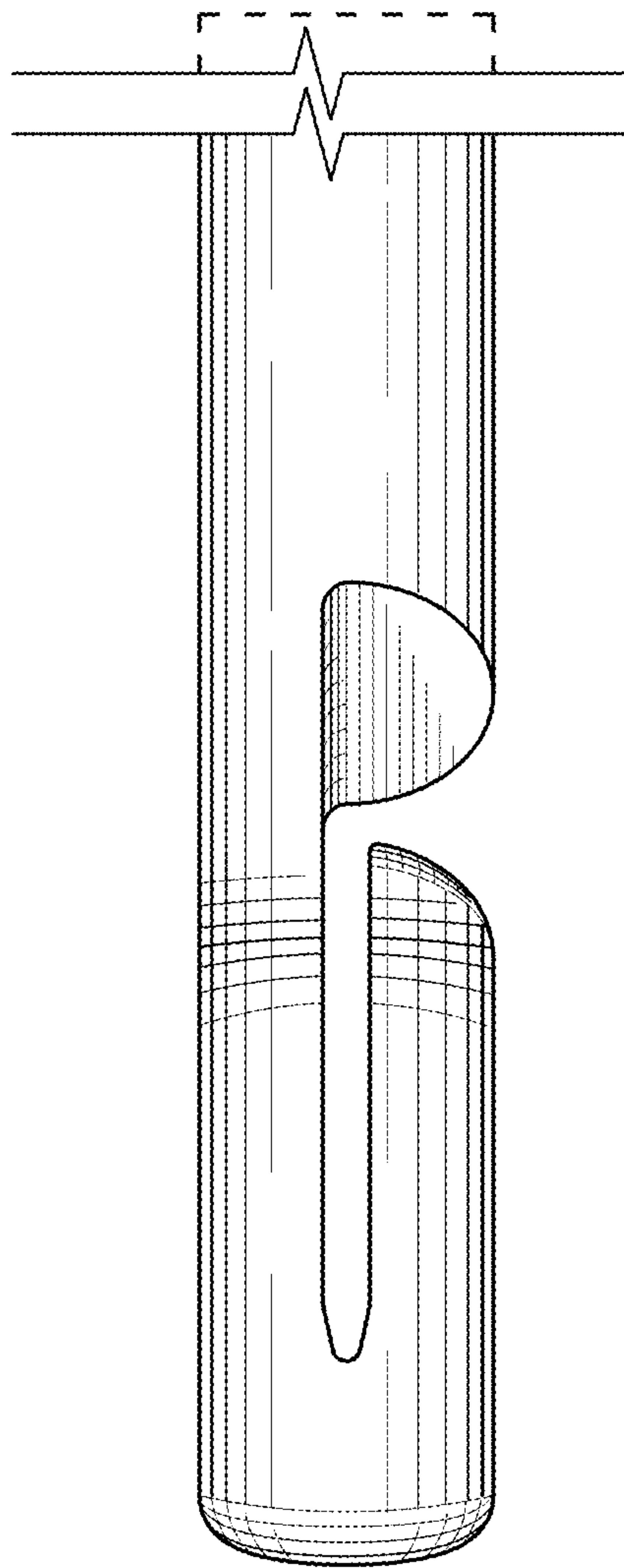


FIG. 6

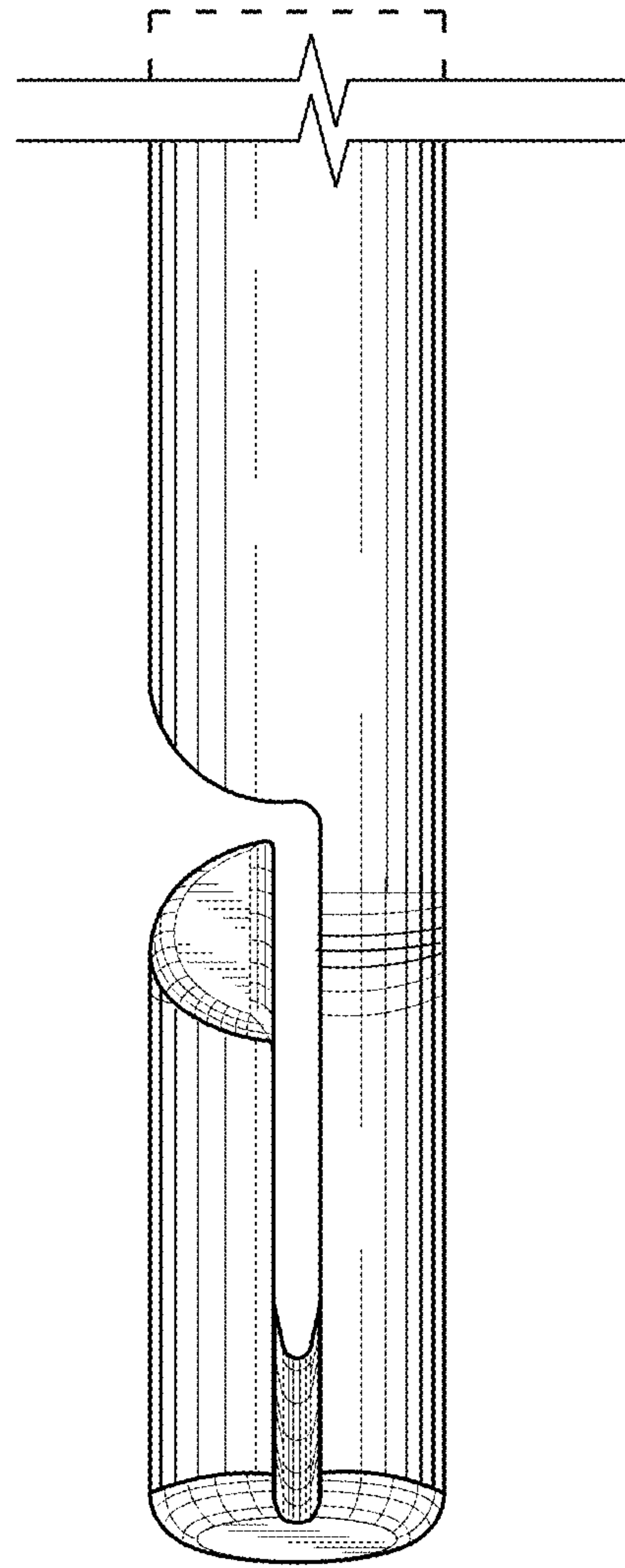


FIG. 7

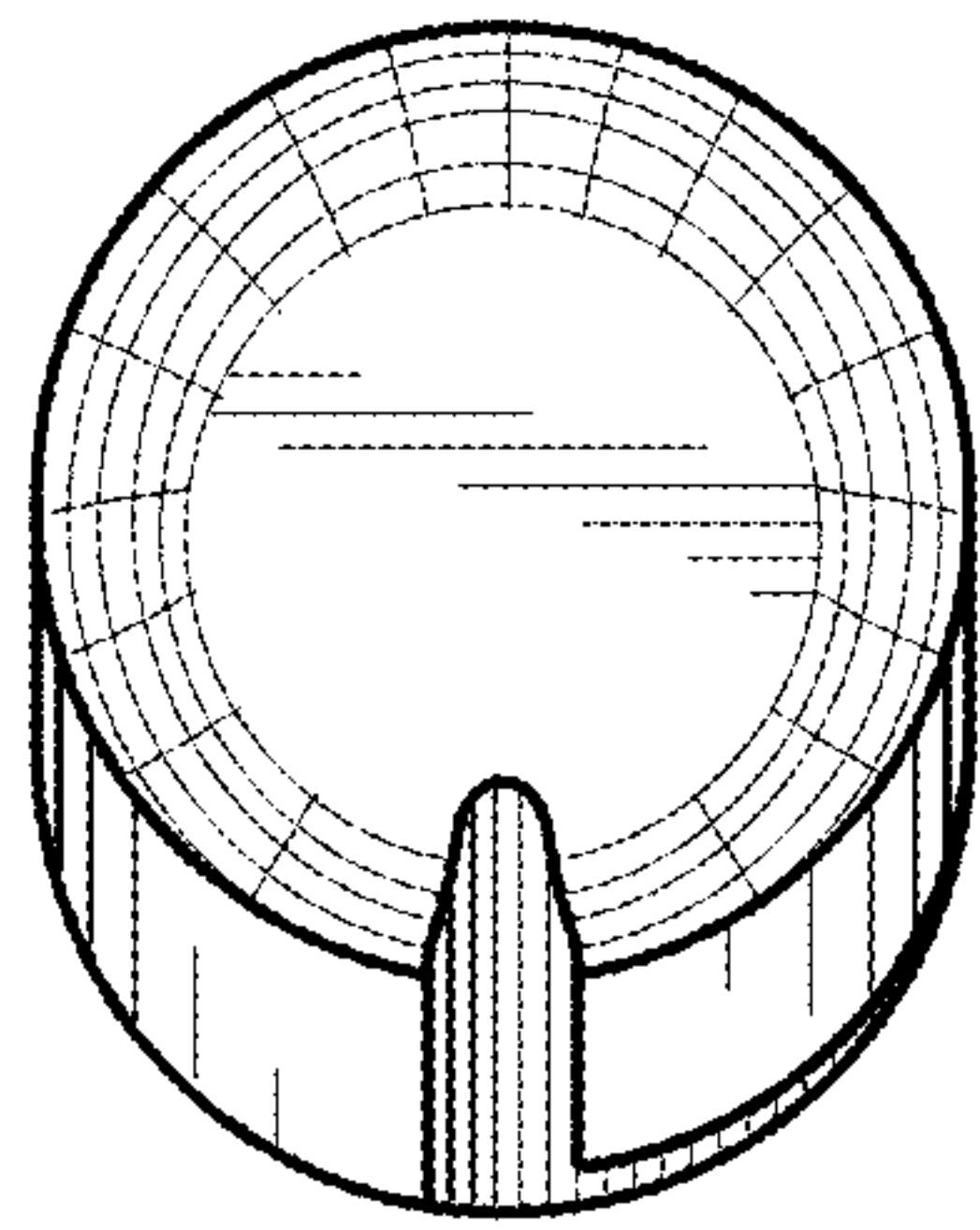


FIG. 8

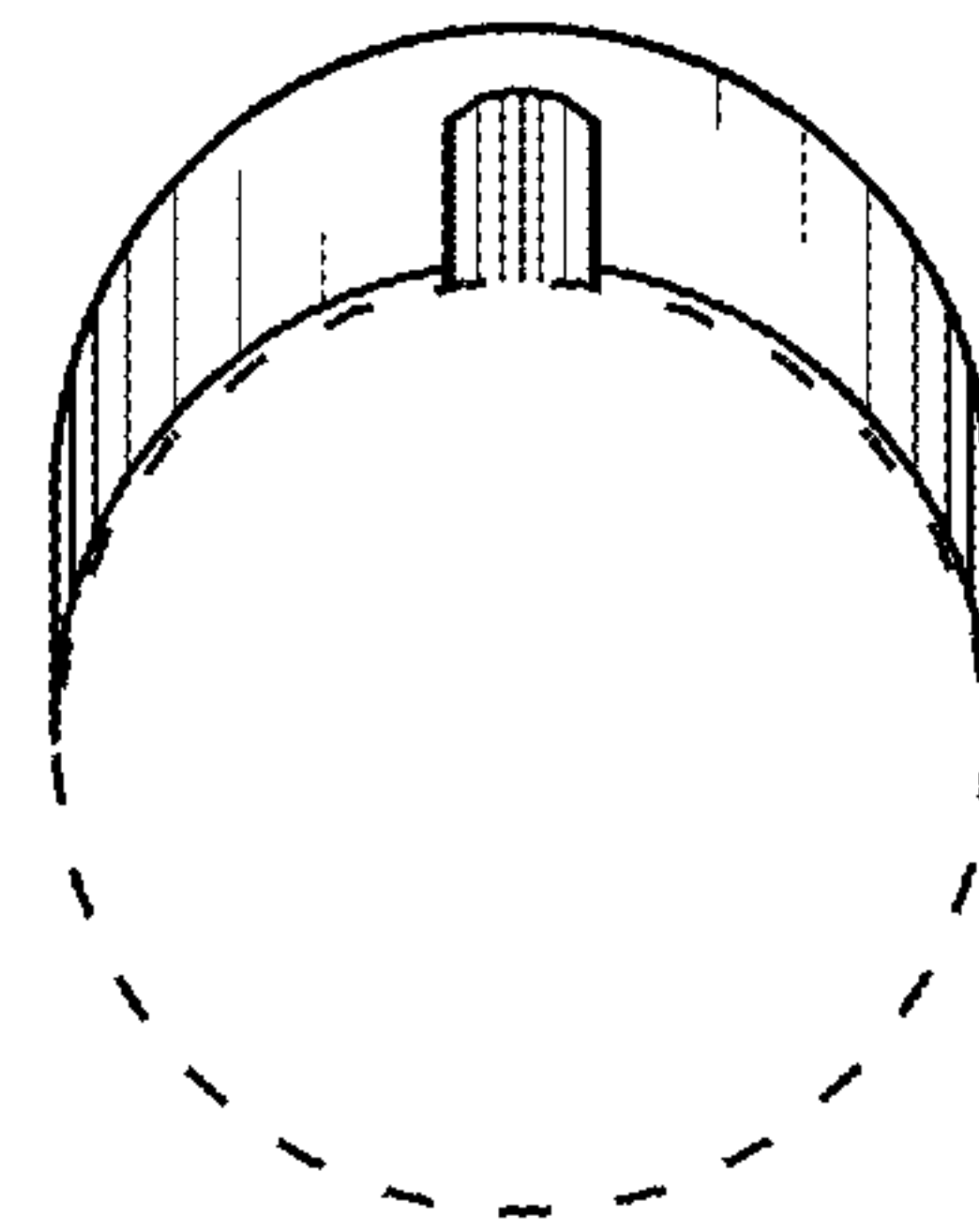


FIG. 9

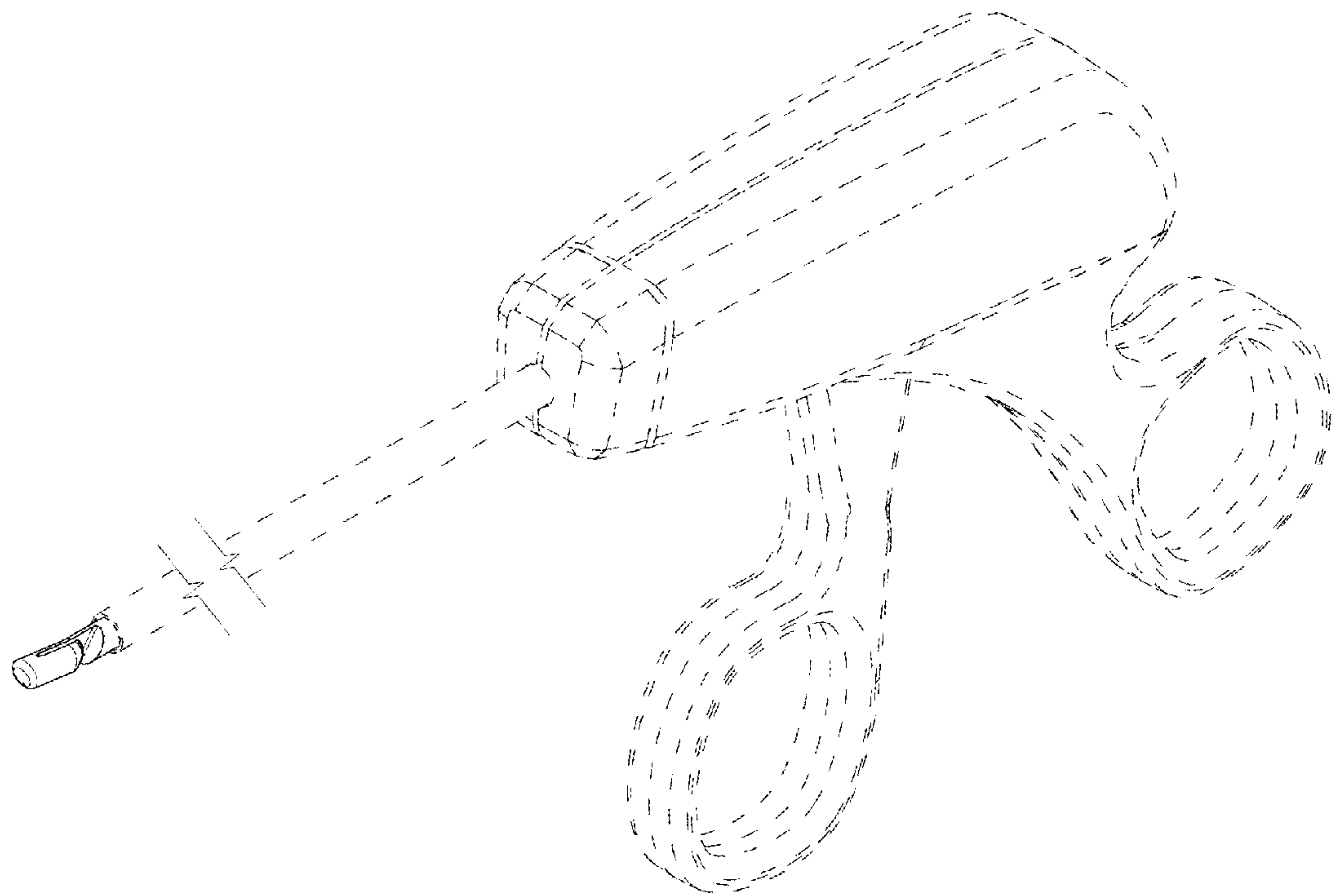


FIG.10