



US00D746455S

(12) **United States Design Patent**
Mayer

(10) **Patent No.:** **US D746,455 S**

(45) **Date of Patent:** **** Dec. 29, 2015**

- (54) **TATTOO NEEDLE CARTRIDGE**
- (71) Applicant: **David A. Mayer**, Saint Petersburg, FL (US)
- (72) Inventor: **David A. Mayer**, Saint Petersburg, FL (US)
- (73) Assignee: **KINGPIN TATTOO SUPPLY, INC.**, Saint Petersburg, FL (US)
- (**) Term: **14 Years**
- (21) Appl. No.: **29/511,243**
- (22) Filed: **Dec. 9, 2014**
- (51) **LOC (10) Cl.** **24-02**
- (52) **U.S. Cl.**
USPC **D24/144**
- (58) **Field of Classification Search**
USPC D24/144, 146; 81/9.22
CPC A61M 37/0076; A61M 37/0084;
A61M 5/46; A61M 37/00; A61M 5/2466;
A61M 5/288; A61M 2005/31588; A61M
2005/2013
See application file for complete search history.

6,033,421	A *	3/2000	Theiss et al.	606/186
6,345,553	B1	2/2002	Adler et al.		
6,505,530	B2	1/2003	Adler et al.		
6,772,656	B2 *	8/2004	Godoy et al.	81/9.22
7,207,242	B1 *	4/2007	Daigle	81/9.22
8,414,531	B2 *	4/2013	Oginski et al.	606/186
8,776,626	B2 *	7/2014	Abbott	74/60
2010/0192730	A1 *	8/2010	Dubin	81/9.22

OTHER PUBLICATIONS

Cartridge Tattoo Needles. [Retrieved on Aug. 12, 2015]. Retrieved from the internet: <URL: <http://www.truetattoosupply.com>>.*

* cited by examiner

Primary Examiner — Wan Laymon

(74) *Attorney, Agent, or Firm* — Larson & Larson, P.A.; Frank Liebenow; Patrick Reid

(57) **CLAIM**

The ornamental design for a tattoo needle cartridge, as shown and described.

DESCRIPTION

FIG. 1 is a perspective view of a tattoo needle cartridge showing my new design;
FIG. 2 is a front elevation view thereof;
FIG. 3 is a rear side elevation view thereof;
FIG. 4 is a right side elevation view thereof; the left side being a mirror image thereof;
FIG. 5 is a top plan view thereof; and,
FIG. 6 is a bottom plan view thereof.
The broken lines depicting one or more needles and a tip in all figures depicts environmental subject matter only and forms no part of the claimed design.

1 Claim, 3 Drawing Sheets

(56) **References Cited**

U.S. PATENT DOCUMENTS

4,671,277	A	6/1987	Beuchat		
4,771,660	A *	9/1988	Yacowitz	81/9.22
5,472,449	A	12/1995	Chou		
D380,046	S *	6/1997	Domanowski	D24/144

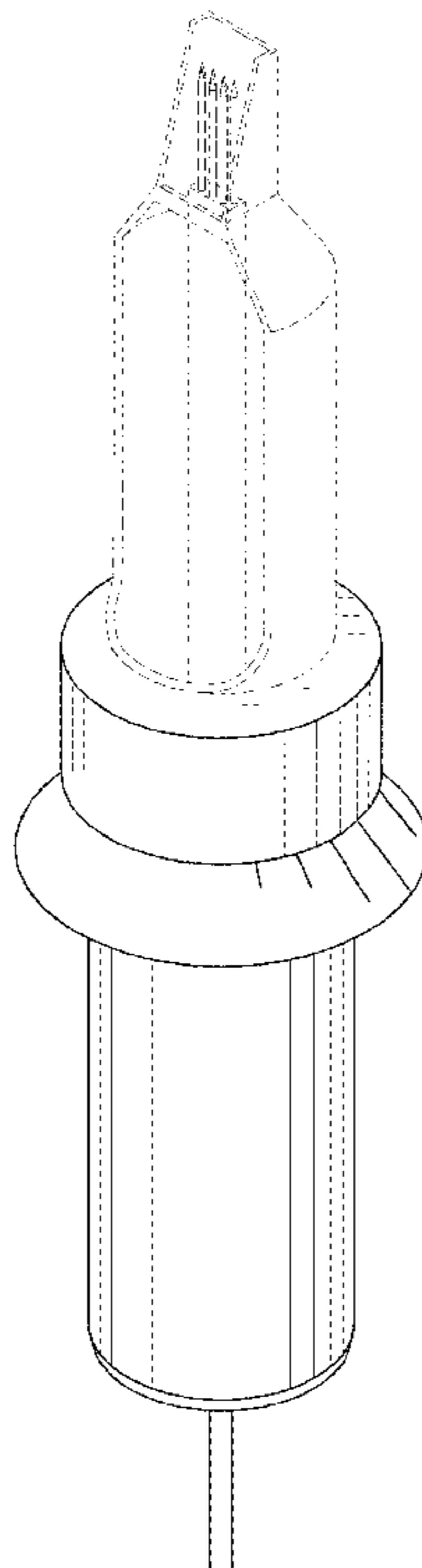


FIG. 1

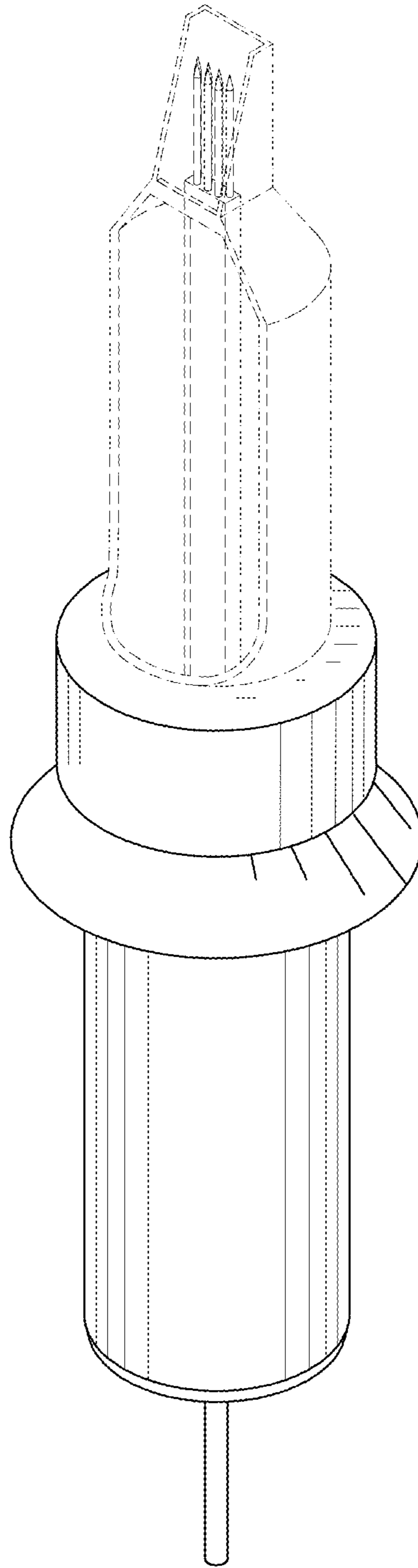


FIG. 2

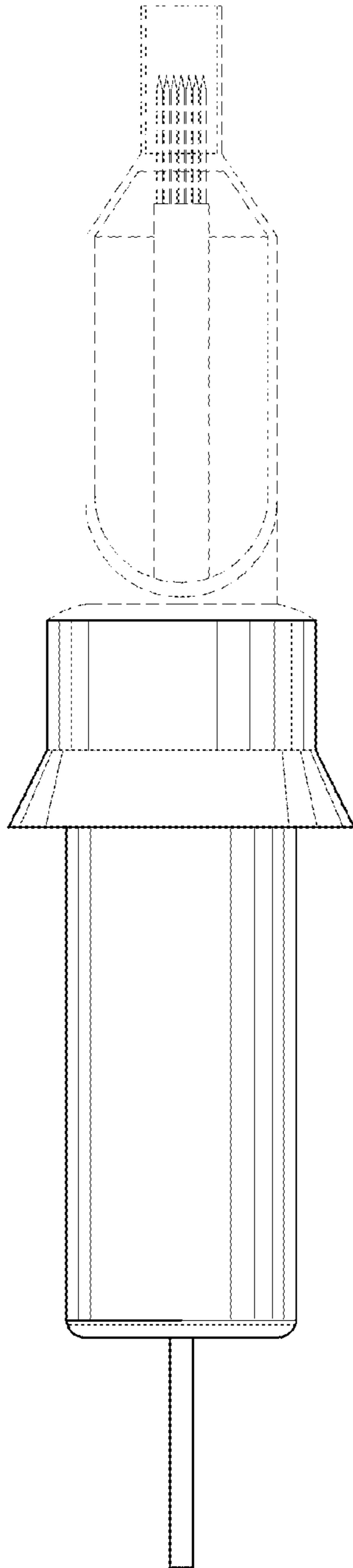


FIG. 3

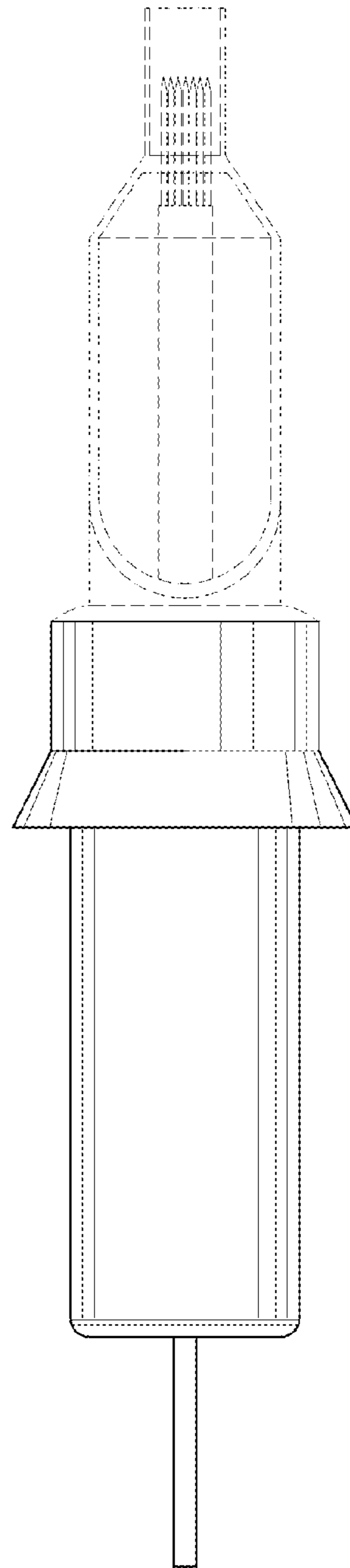


FIG. 4

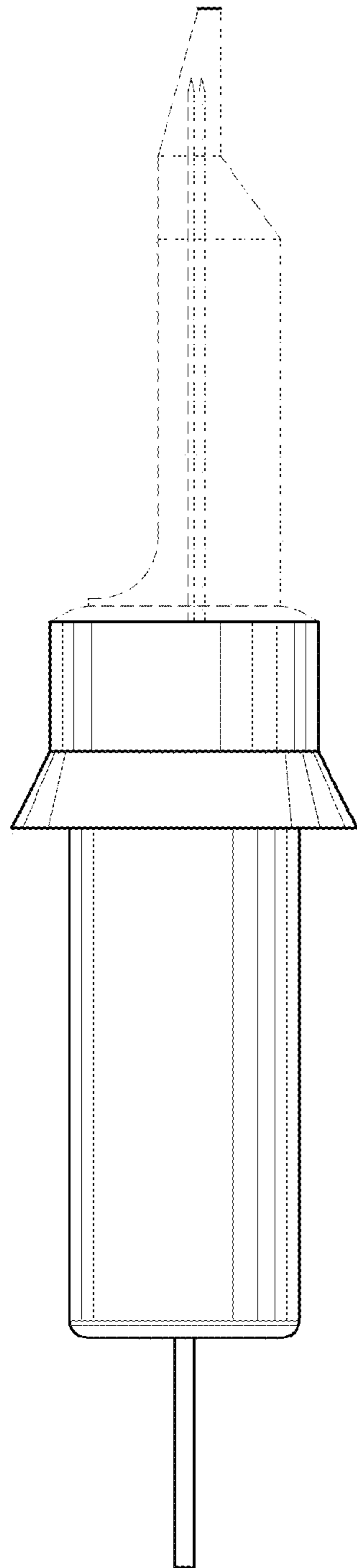


FIG. 5

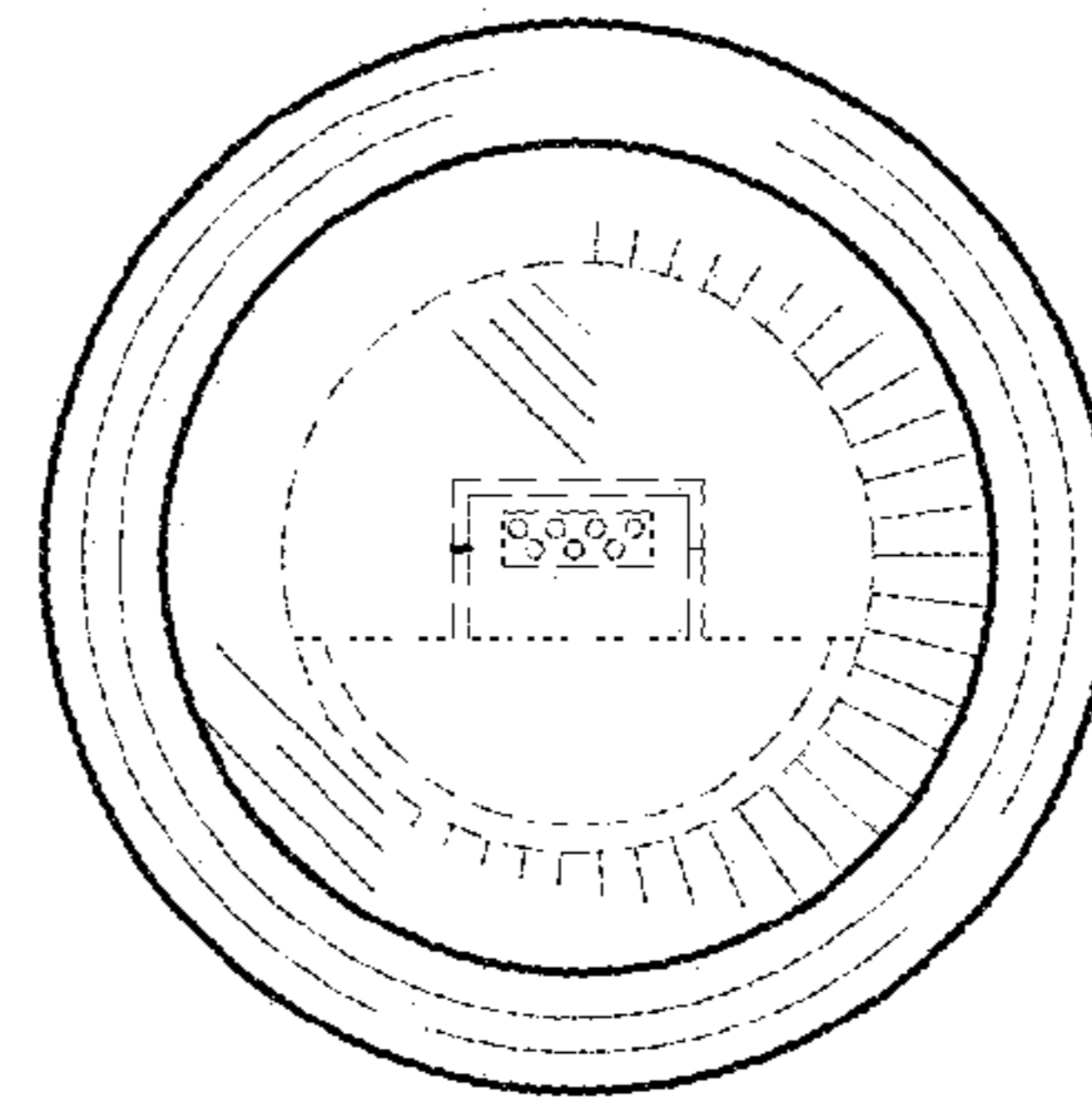


FIG. 6

