



US00D746453S

(12) **United States Design Patent**  
**Goertler et al.**

(10) **Patent No.:** **US D746,453 S**

(45) **Date of Patent:** **\*\* Dec. 29, 2015**

(54) **MALE ERECTION ENHANCEMENT LOOP**

(71) Applicants: **Angela Arlene Goertler**, West Richland, WA (US); **James Lee Goertler**, West Richland, WA (US)

(72) Inventors: **Angela Arlene Goertler**, West Richland, WA (US); **James Lee Goertler**, West Richland, WA (US)

(\*\*) Term: **14 Years**

(21) Appl. No.: **29/474,619**

(22) Filed: **Nov. 25, 2014**

(51) **LOC (10) Cl.** ..... **24-02**

(52) **U.S. Cl.**  
USPC ..... **D24/143**

(58) **Field of Classification Search**  
USPC ..... D24/105, 143, 126, 127, 190, 231;  
128/842, 843, 844, 875, 876, 883, 885,  
128/891; 600/38, 40, 41; 604/349, 353  
CPC ..... A61F 5/41; A61H 1/02  
See application file for complete search history.

(56) **References Cited**

**U.S. PATENT DOCUMENTS**

- 1,511,572 A \* 10/1924 Marshall ..... A61F 5/41  
600/39
- 3,554,184 A \* 1/1971 Habib ..... A61F 2/005  
128/835
- 3,999,550 A \* 12/1976 Martin ..... A61F 5/453  
604/353
- 4,381,000 A \* 4/1983 Duncan ..... A61F 5/41

- 4,875,491 A \* 10/1989 Parrone ..... A61F 6/04  
128/844
- D380,547 S \* 7/1997 Carlsen ..... D24/105
- 5,728,043 A \* 3/1998 Yong ..... A61F 5/41  
600/39
- D482,123 S \* 11/2003 Jaquez ..... D24/190

\* cited by examiner

*Primary Examiner* — Wan Laymon

*Assistant Examiner* — Mark Booker

(74) *Attorney, Agent, or Firm* — Risto A. Rinne, Jr.

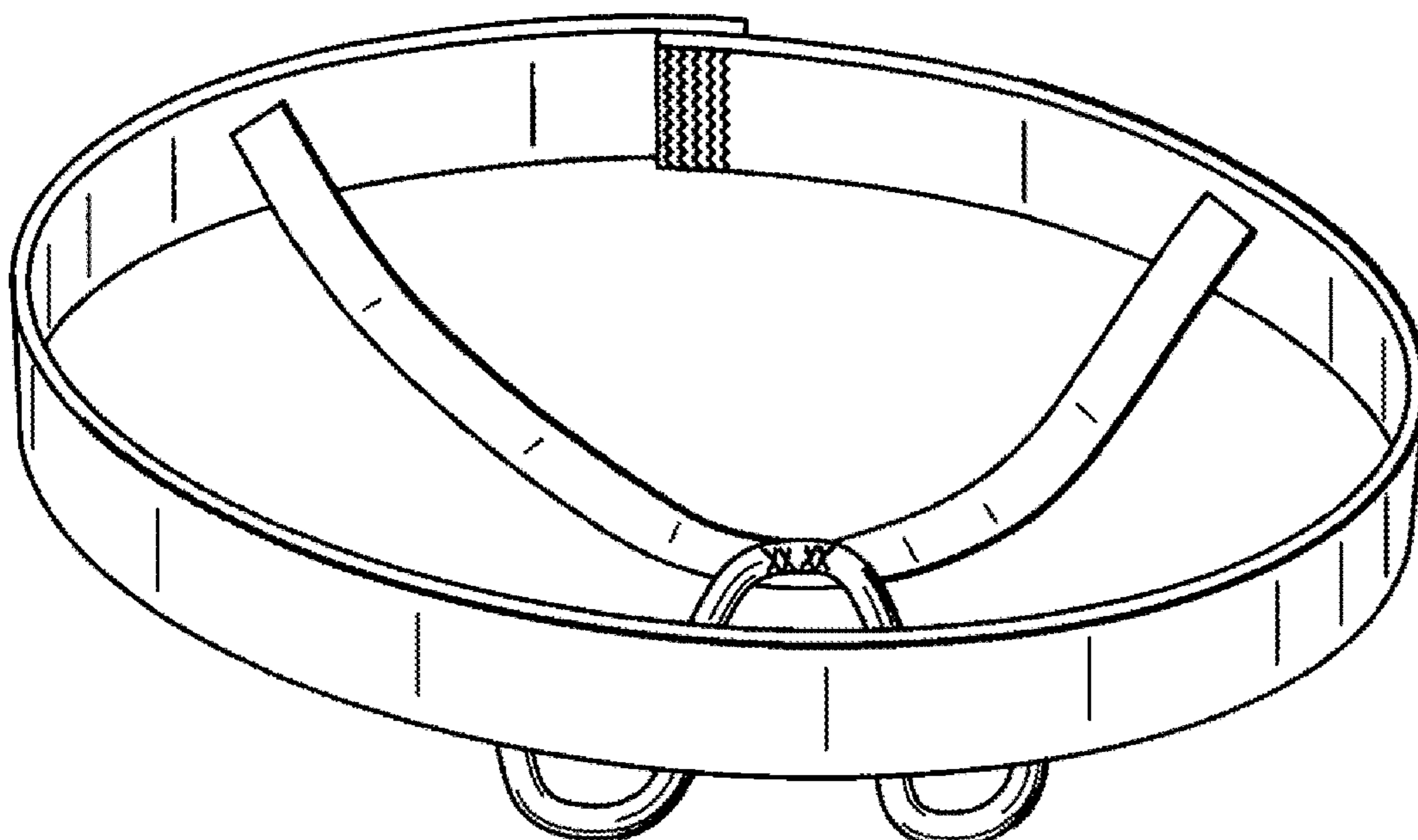
(57) **CLAIM**

The ornamental design for a male erection enhancement loop, as shown and described.

**DESCRIPTION**

FIG. 1 is a perspective view of our new design showing a male erection enhancement loop;  
 FIG. 2 is a front view of the male erection enhancement loop of FIG. 1;  
 FIG. 3 is a rear view of the male erection enhancement loop of FIG. 1;  
 FIG. 4 is a left side view of the male erection enhancement loop of FIG. 1;  
 FIG. 5 is a right side view of the male erection enhancement loop of FIG. 1;  
 FIG. 6 is a top view of the male erection enhancement loop of FIG. 1; and,  
 FIG. 7 is a bottom view of the male erection enhancement loop of FIG. 1.

**1 Claim, 4 Drawing Sheets**



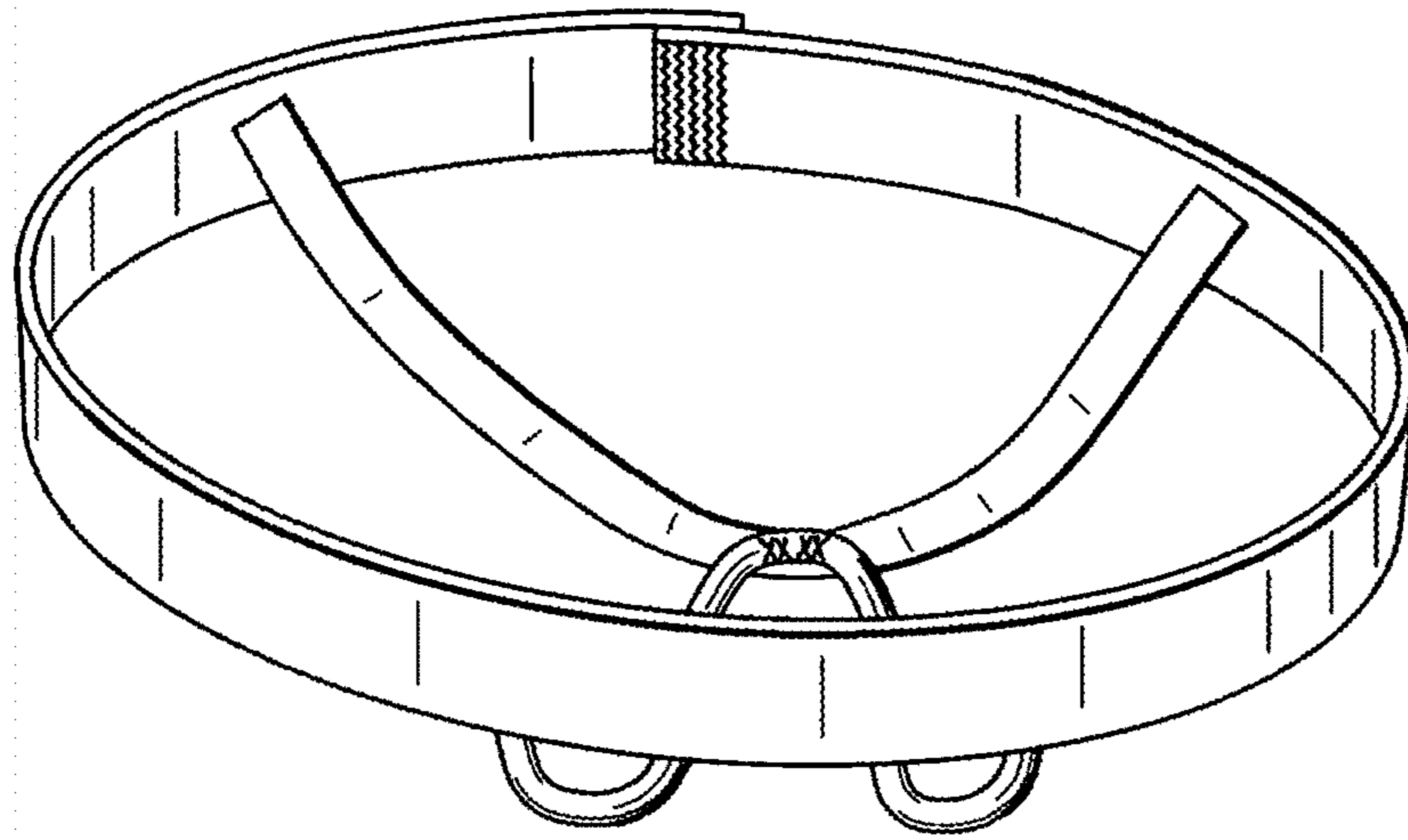


FIG. 1

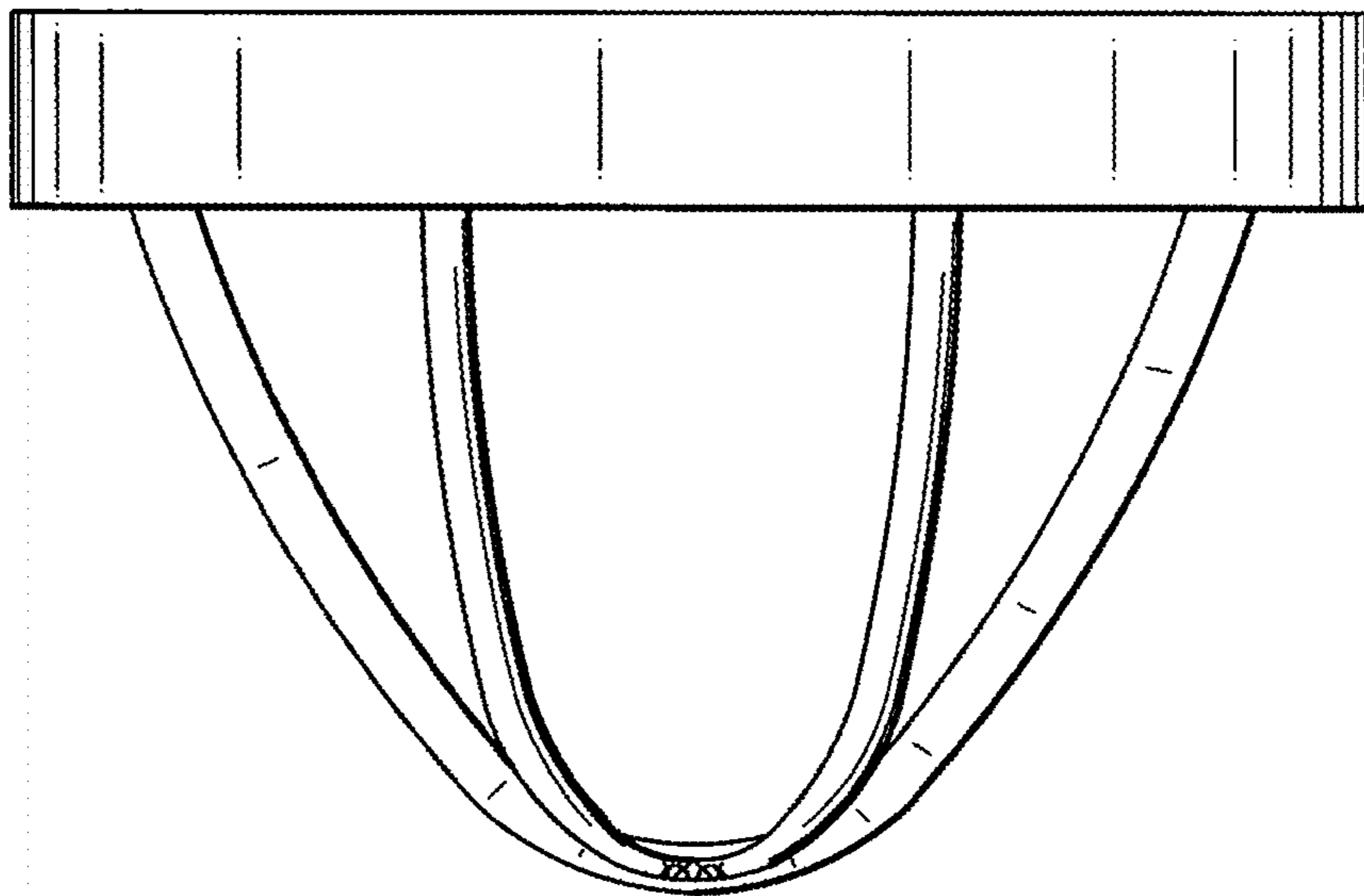


FIG. 2

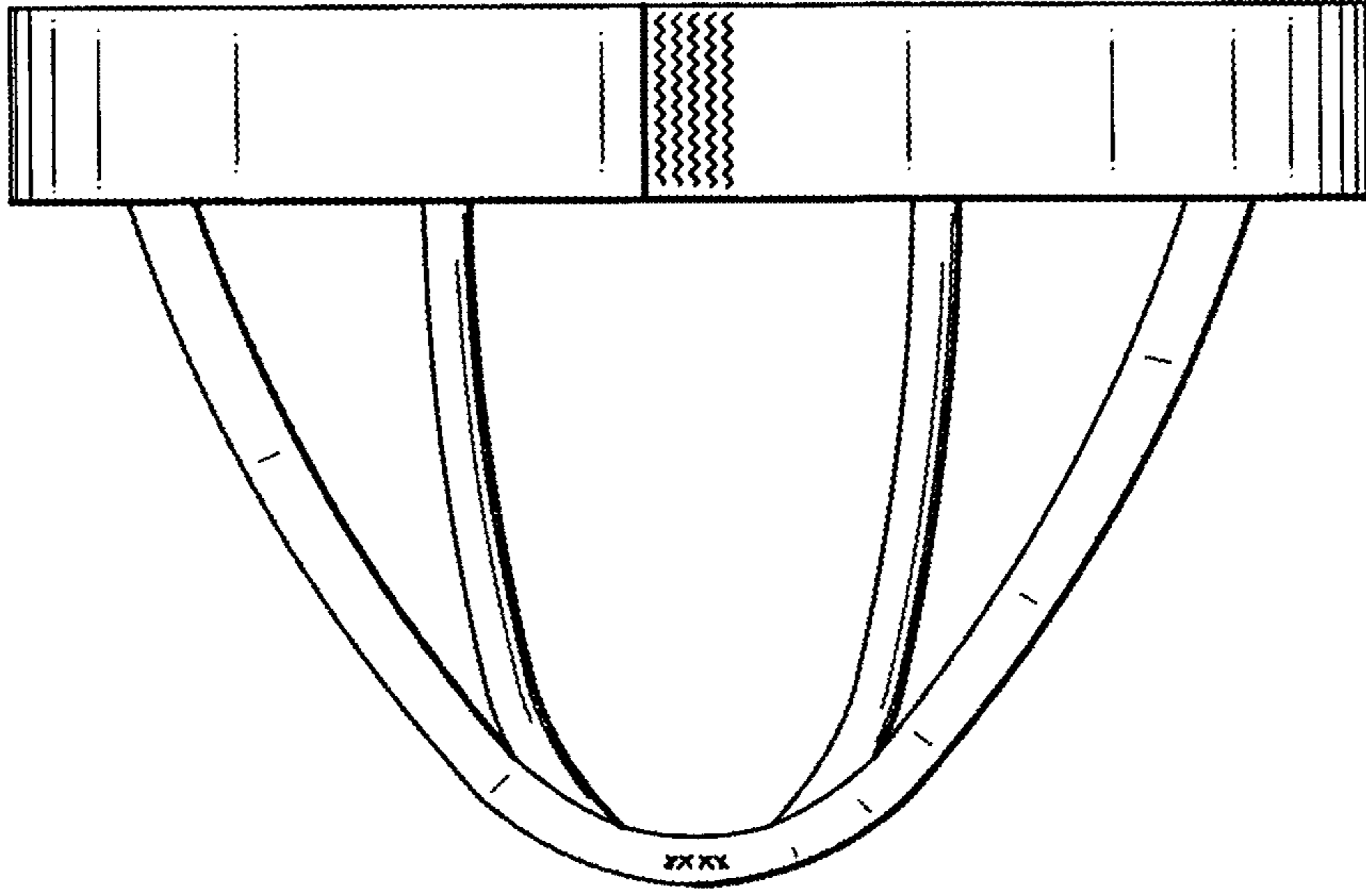


FIG. 3

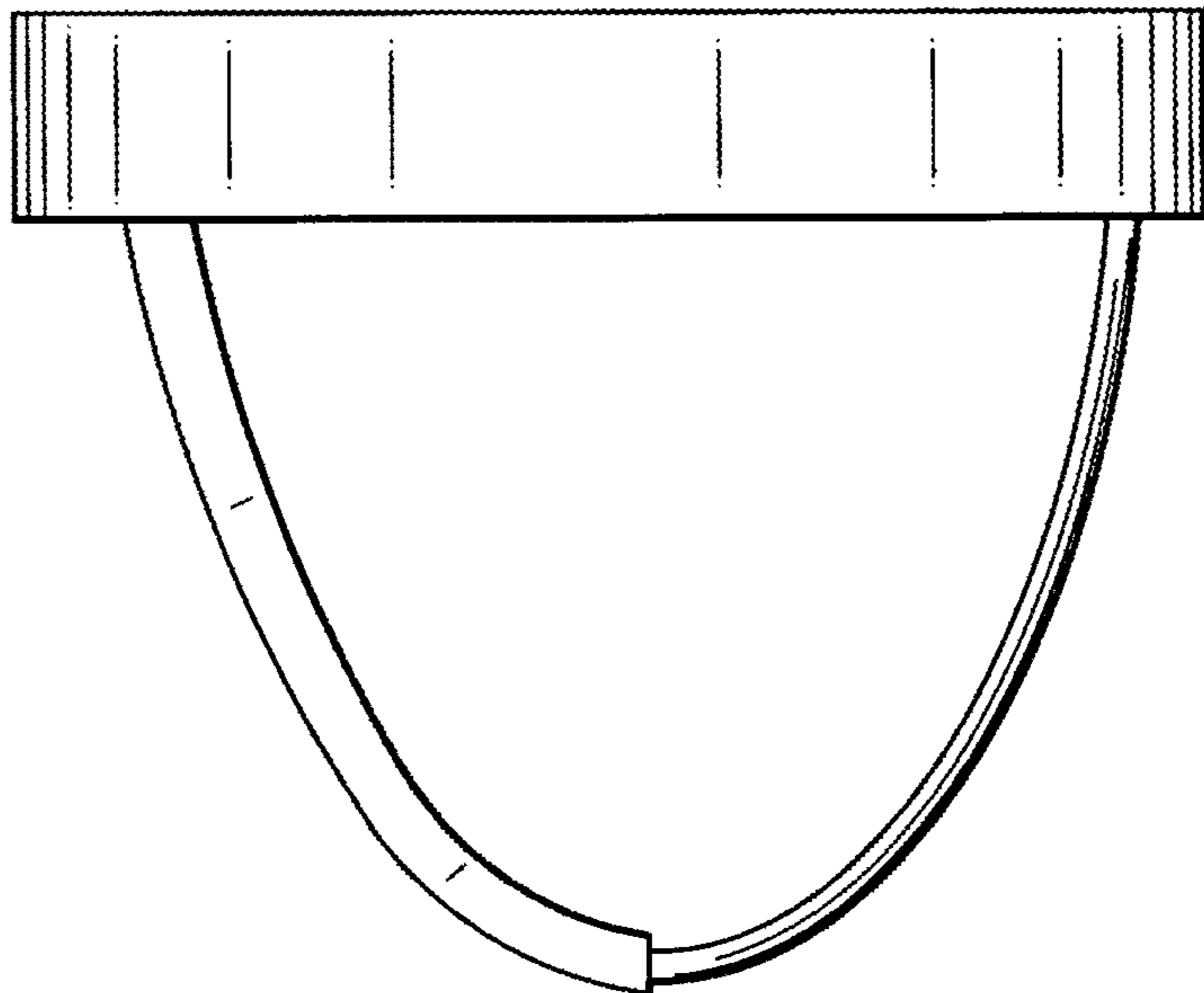


FIG. 4

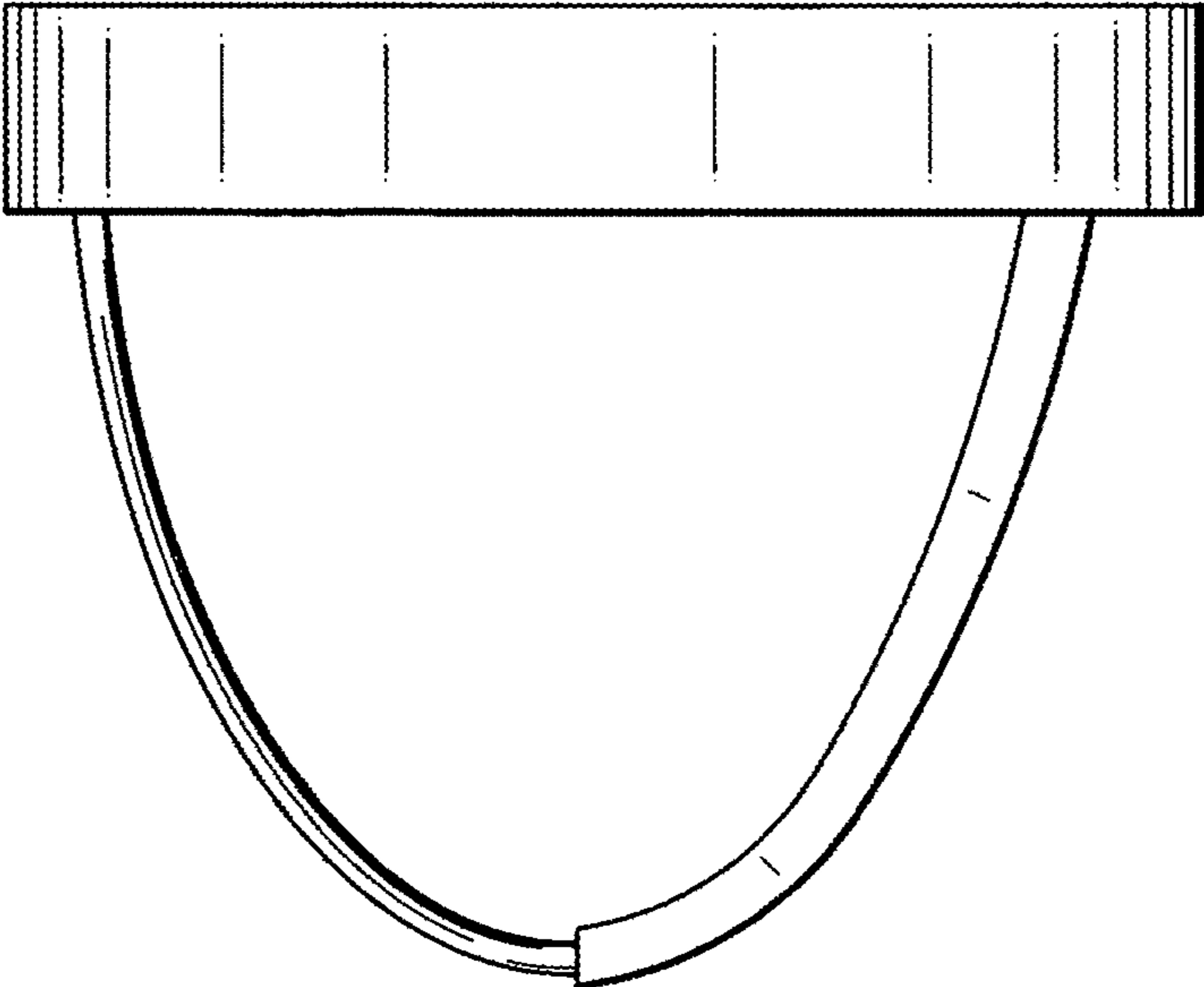


FIG. 5

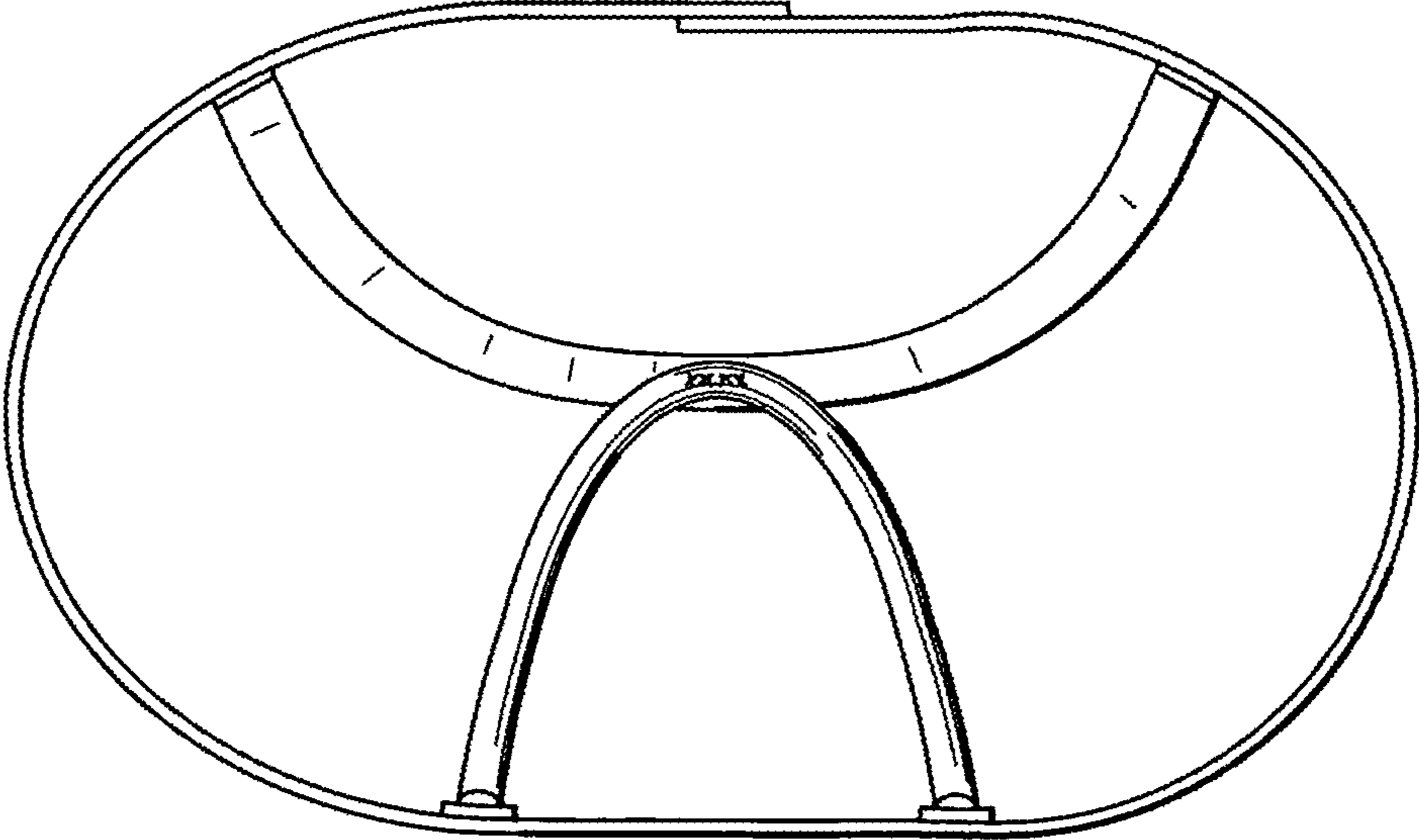


FIG. 6

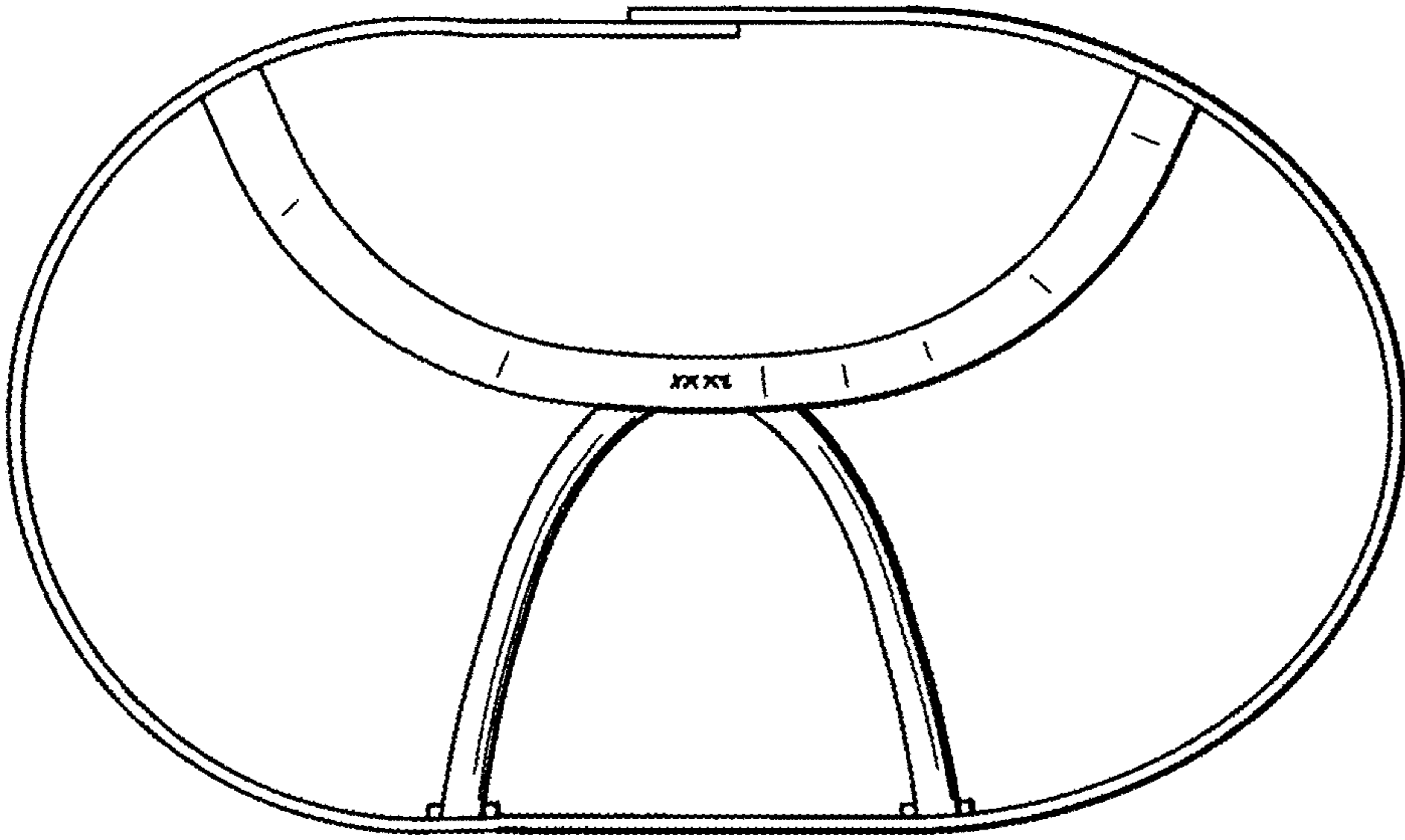


FIG.7