



US00D746452S

(12) **United States Design Patent**
Petrova

(10) **Patent No.:** **US D746,452 S**
(45) **Date of Patent:** **** Dec. 29, 2015**

(54) **REUSABLE MENSTRUAL CUP**

(71) Applicant: **Vilislava Petrova**, New York, NY (US)

(72) Inventor: **Vilislava Petrova**, New York, NY (US)

(**) Term: **14 Years**

(21) Appl. No.: **29/514,783**

(22) Filed: **Jan. 16, 2015**

(51) **LOC (10) Cl.** **24-02**

(52) **U.S. Cl.**
USPC **D24/141**

(58) **Field of Classification Search**
USPC D24/141, 121, 124–125; 604/328–330
CPC A61F 6/08; A61F 6/12; A61F 6/14;
A61F 5/4553; A61F 5/455

See application file for complete search history.

(56) **References Cited**

U.S. PATENT DOCUMENTS

2,089,113 A * 8/1937 Chalmers A61F 5/4553
604/330
3,404,682 A * 10/1968 Waldron A61F 5/4553
128/838

3,845,766 A * 11/1974 Zoller A61F 6/08
604/330
D323,212 S * 1/1992 Crawford D24/121
5,827,248 A * 10/1998 Crawford A61F 6/08
604/328
2008/0077097 A1 * 3/2008 Chambers A61F 6/08
604/330
2010/0312204 A1 * 12/2010 Sheu A61F 6/08
604/330
2015/0164680 A1 * 6/2015 Chen A61F 5/4553
604/330

* cited by examiner

Primary Examiner — Wan Laymon

(74) *Attorney, Agent, or Firm* — Andrew Alia

(57) **CLAIM**

The ornamental design for a reusable menstrual cup, as shown and described.

DESCRIPTION

FIG. 1 is a top side perspective view of a reusable menstrual cup;

FIG. 2 is a bottom side perspective plan view thereof;

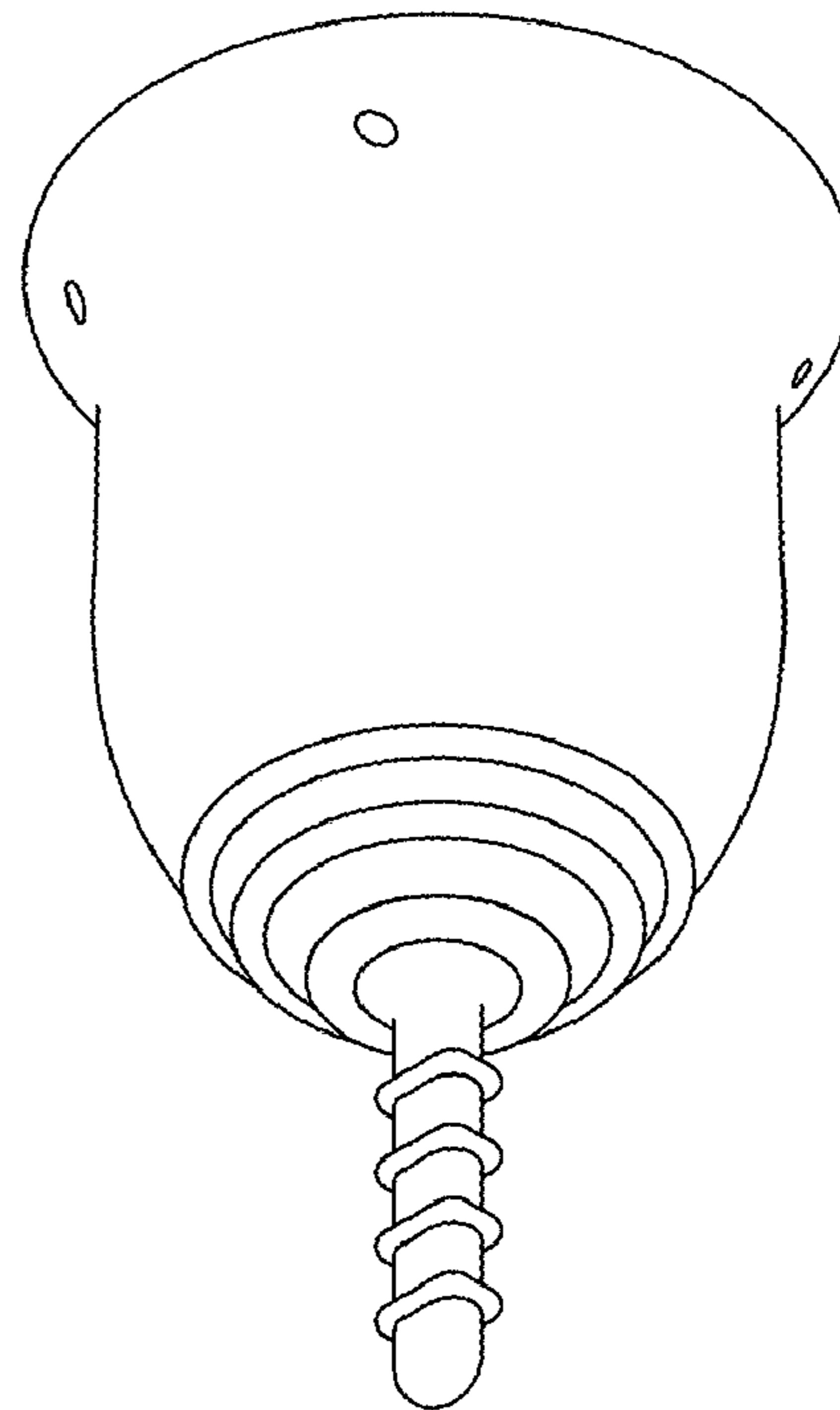
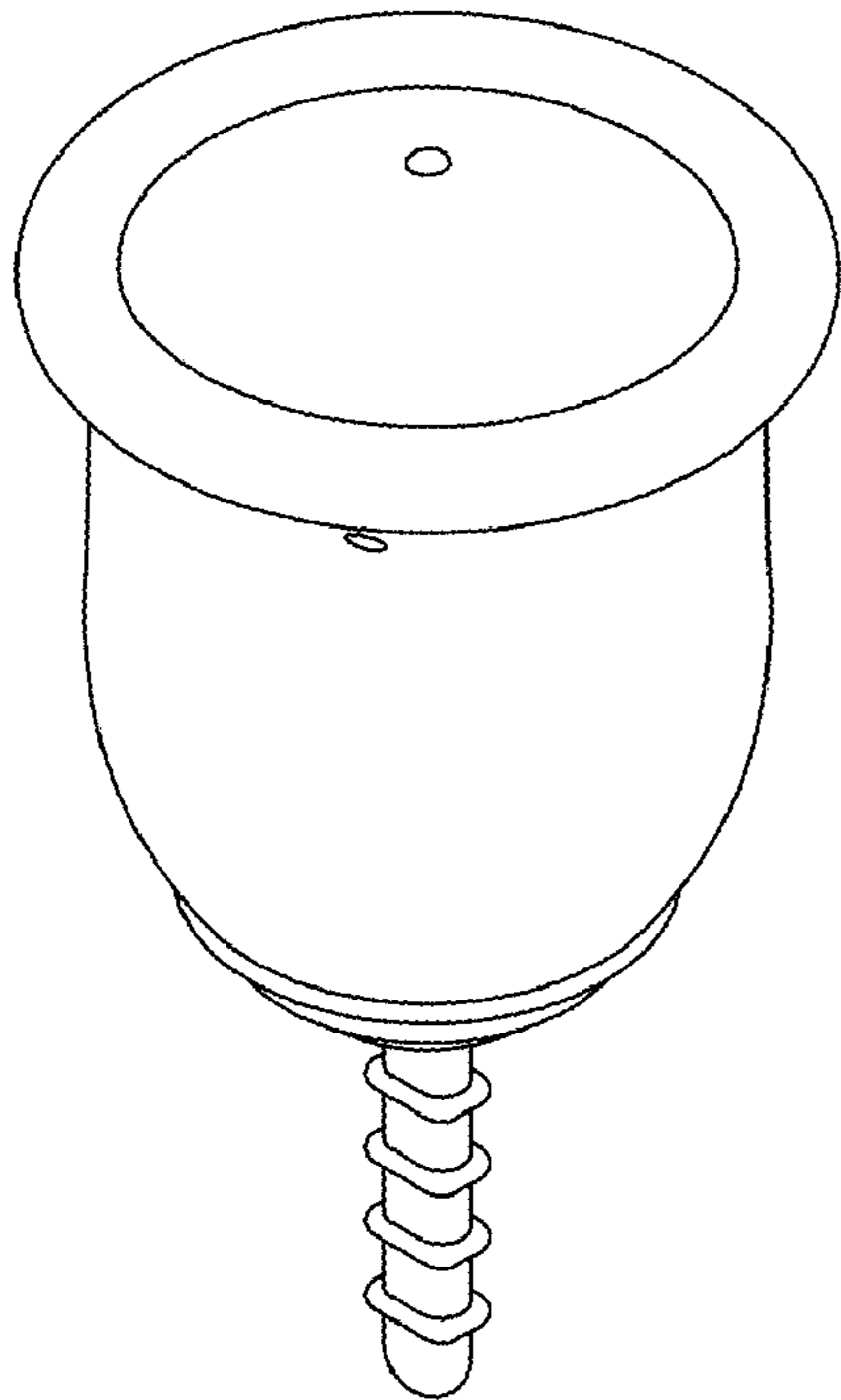
FIG. 3 is a side plan view thereof;

FIG. 4 is a top side plan view thereof;

FIG. 5 is a bottom side plan view thereof; and,

FIG. 6 is a side plan view thereof.

1 Claim, 6 Drawing Sheets



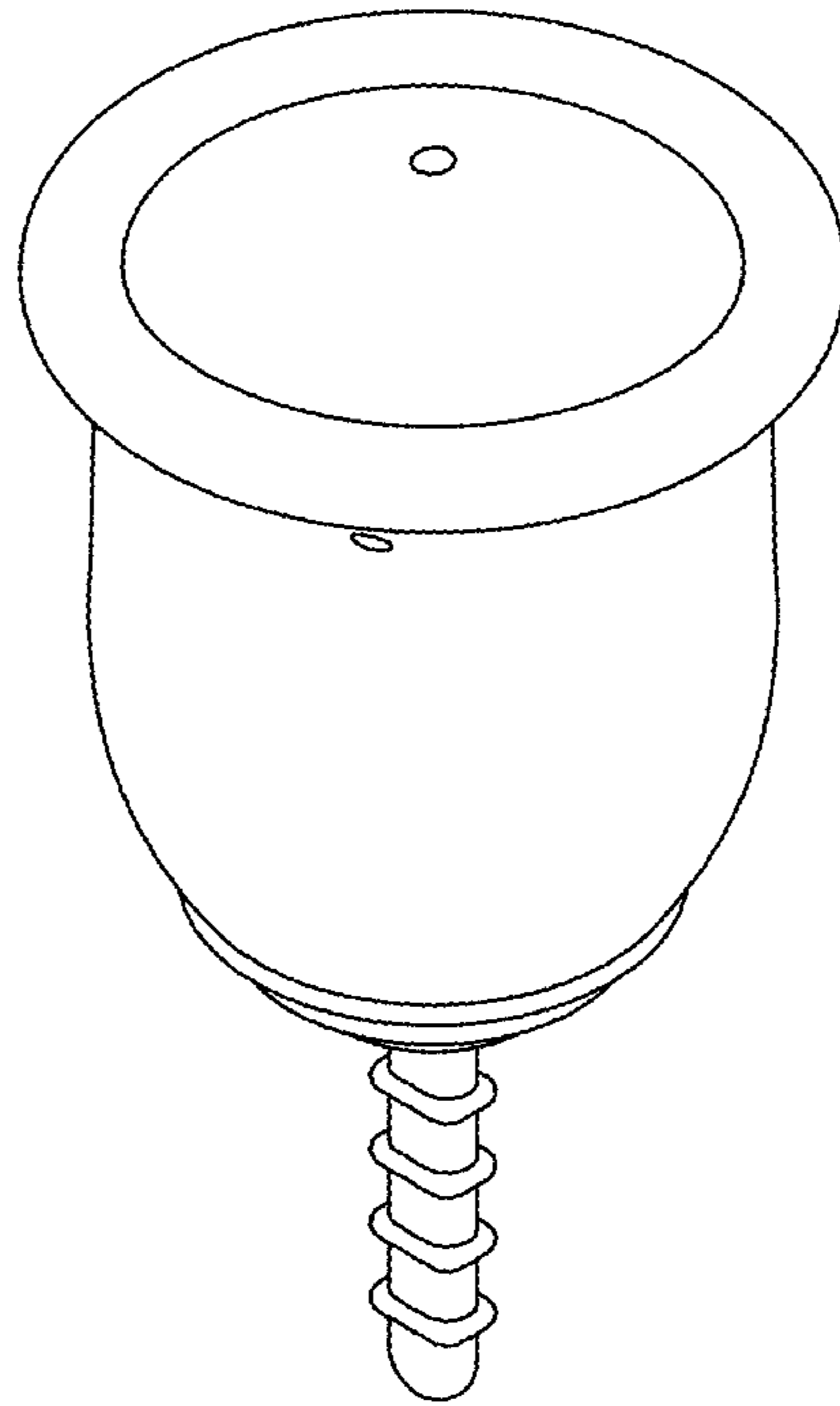


FIG. 1

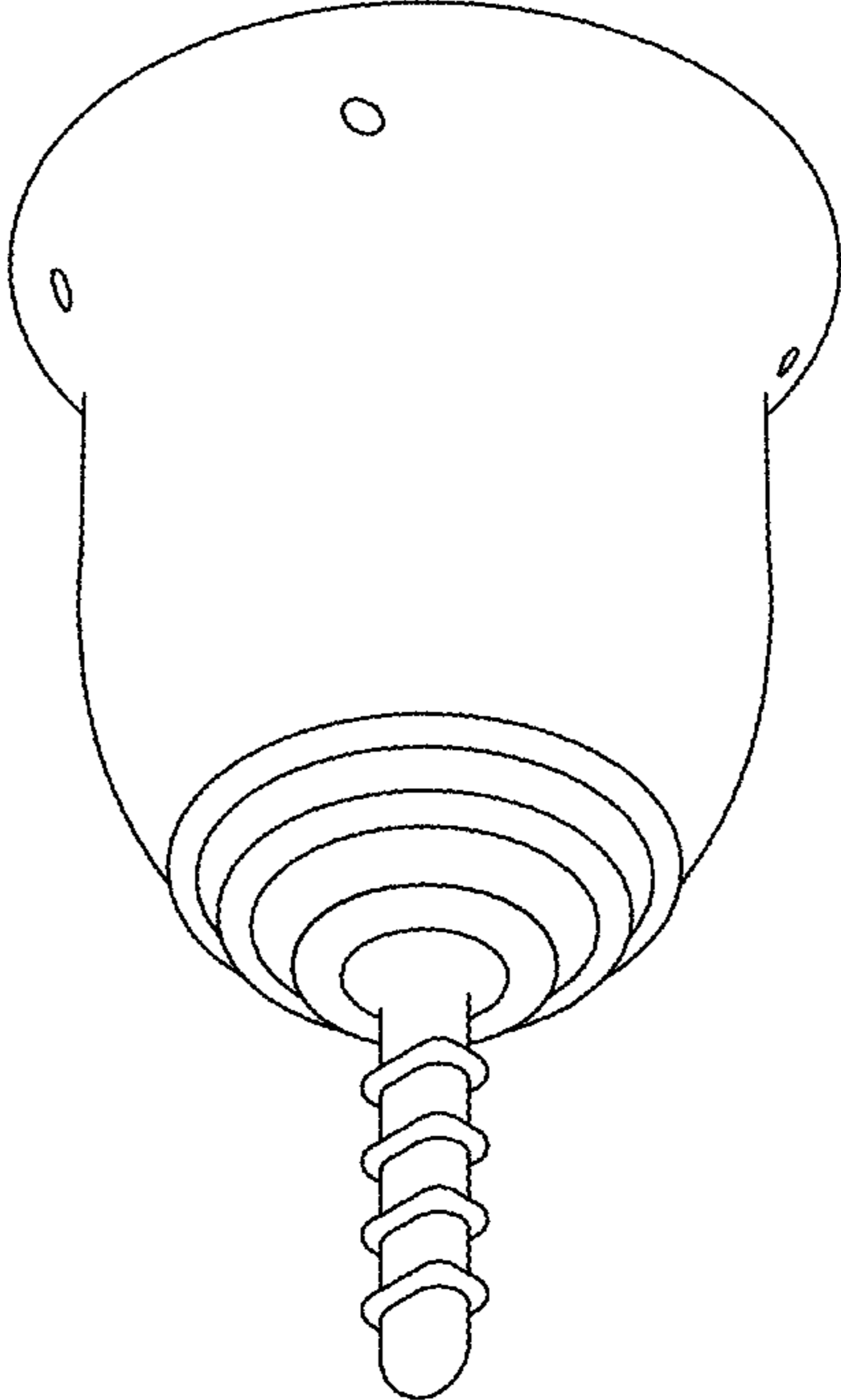


FIG. 2

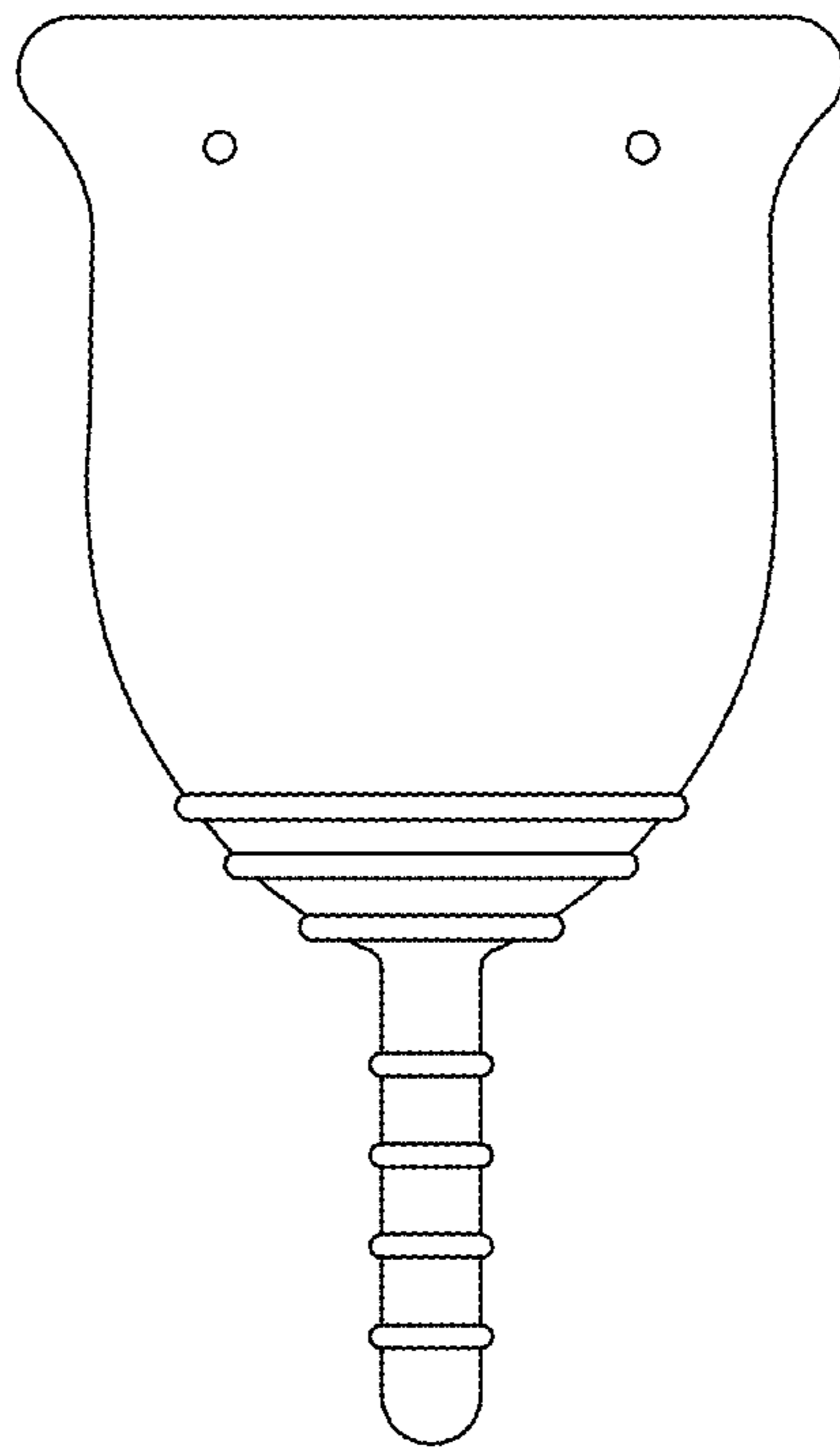


FIG. 3

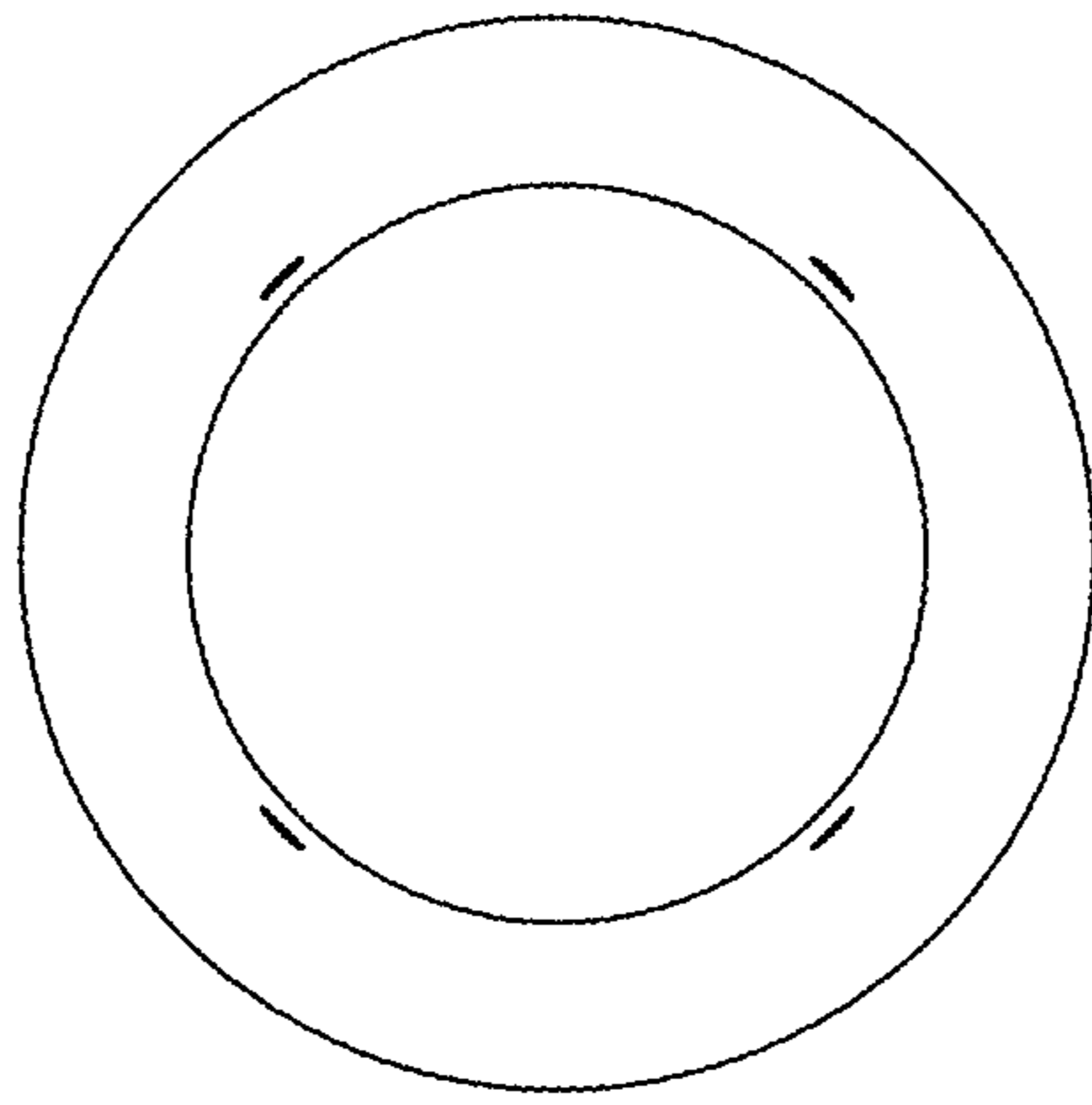


FIG. 4

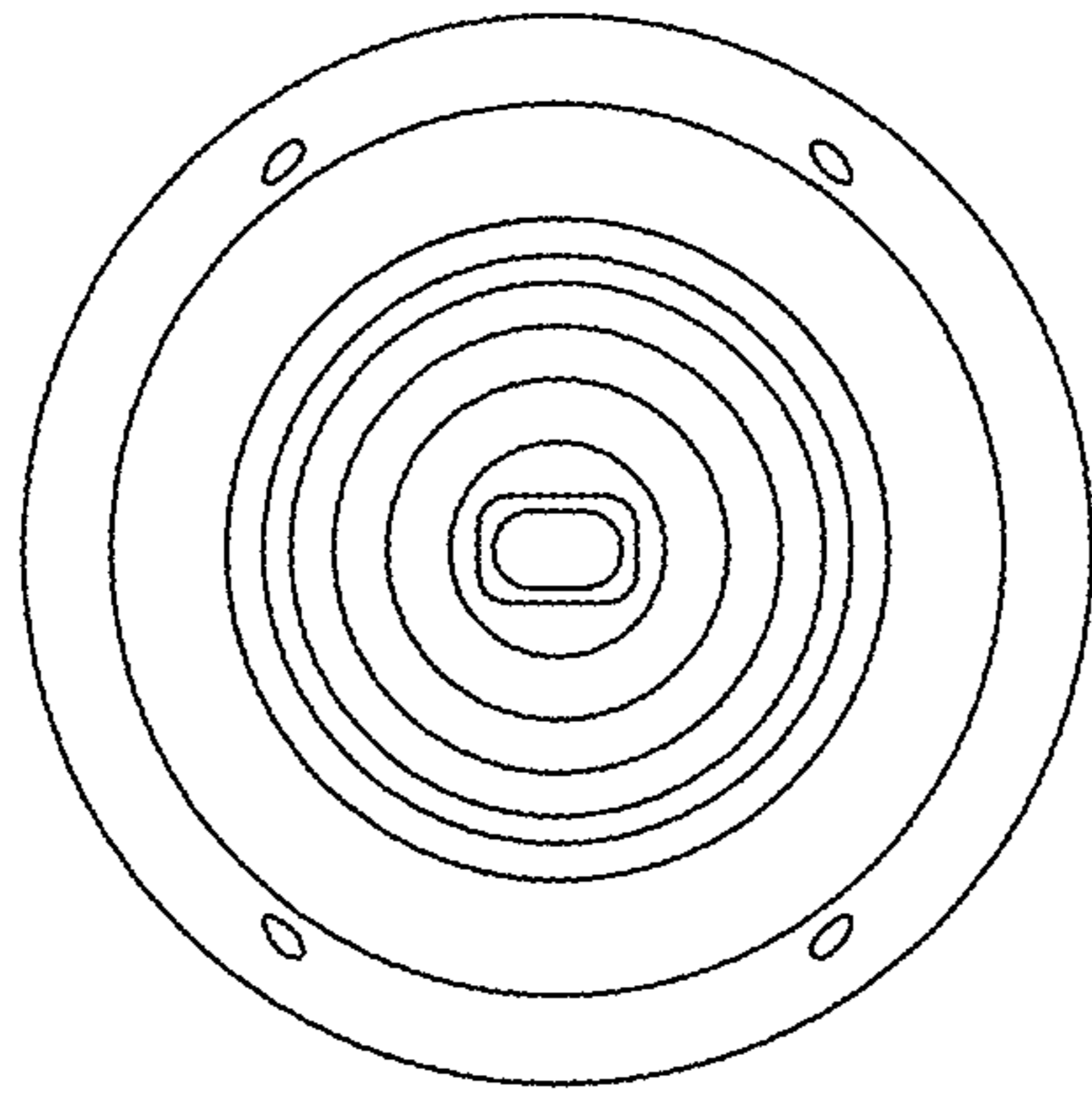


FIG. 5

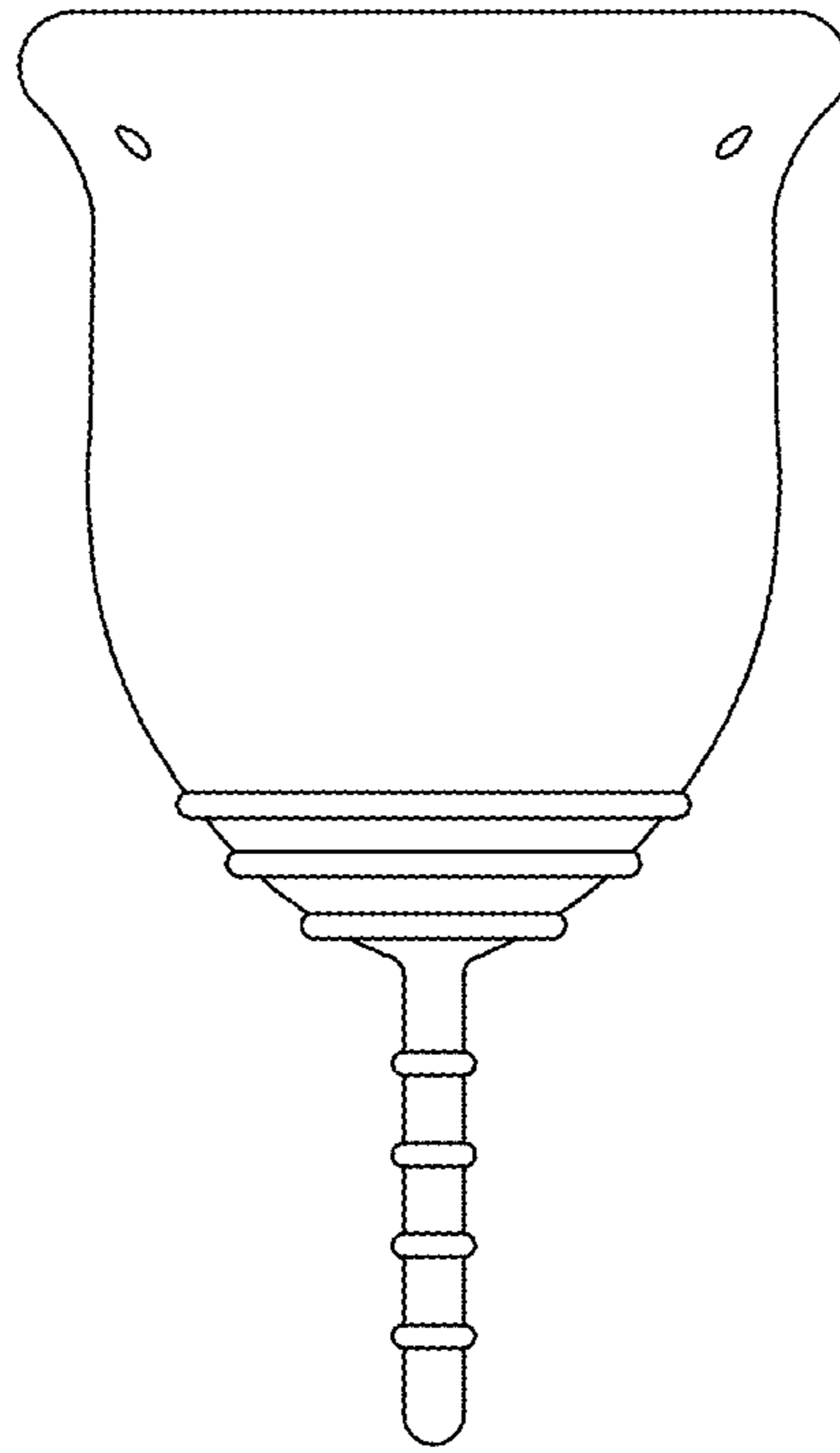


FIG. 6