



US00D746451S

(12) **United States Design Patent**
Chen

(10) **Patent No.:** **US D746,451 S**

(45) **Date of Patent:** **** Dec. 29, 2015**

(54) **LARYNGOSCOPE BLADE**

(71) Applicant: **Tien-Sheng Chen**, Taipei (TW)

(72) Inventor: **Tien-Sheng Chen**, Taipei (TW)

(**) Term: **14 Years**

(21) Appl. No.: **29/472,608**

(22) Filed: **Nov. 14, 2013**

(51) **LOC (10) Cl.** **24-02**

(52) **U.S. Cl.**
USPC **D24/137**

(58) **Field of Classification Search**
USPC D24/137, 233, 135, 138, 133, 136;
606/196, 191-195, 197-200;
600/185-199, 184, 200
CPC A61B 1/0008; A61B 1/267; A61B 1/07
See application file for complete search history.

(56) **References Cited**

U.S. PATENT DOCUMENTS

D541,937 S *	5/2007	Yee	D24/137
D592,306 S *	5/2009	Bigelow et al.	D24/137
D594,983 S *	6/2009	Price et al.	D24/145
D608,889 S *	1/2010	Tenger et al.	D24/137
D609,808 S *	2/2010	Tenger et al.	D24/137
D618,797 S *	6/2010	Price et al.	D24/145
D619,248 S *	7/2010	Yokota	D24/137
D631,158 S *	1/2011	Doerges	D24/137
D631,965 S *	2/2011	Price et al.	D24/145
D645,146 S *	9/2011	Lee	D24/137
D661,802 S *	6/2012	Price et al.	D24/145
D661,803 S *	6/2012	Price et al.	D24/145

D661,804 S *	6/2012	Price et al.	D24/145
D670,380 S *	11/2012	Sapalev et al.	D24/133
8,394,017 B2 *	3/2013	Kieffer	600/199
D687,549 S *	8/2013	Johnson et al.	D24/133
D709,194 S *	7/2014	Miller et al.	D24/143
2005/0240081 A1 *	10/2005	Eliachar	600/199
2009/0105750 A1 *	4/2009	Price et al.	606/206

* cited by examiner

Primary Examiner — Ian Simmons

Assistant Examiner — Carissa C Fitts

(74) *Attorney, Agent, or Firm* — Alan D. Kamrath; Kamrath IP Lawfirm, P.A.

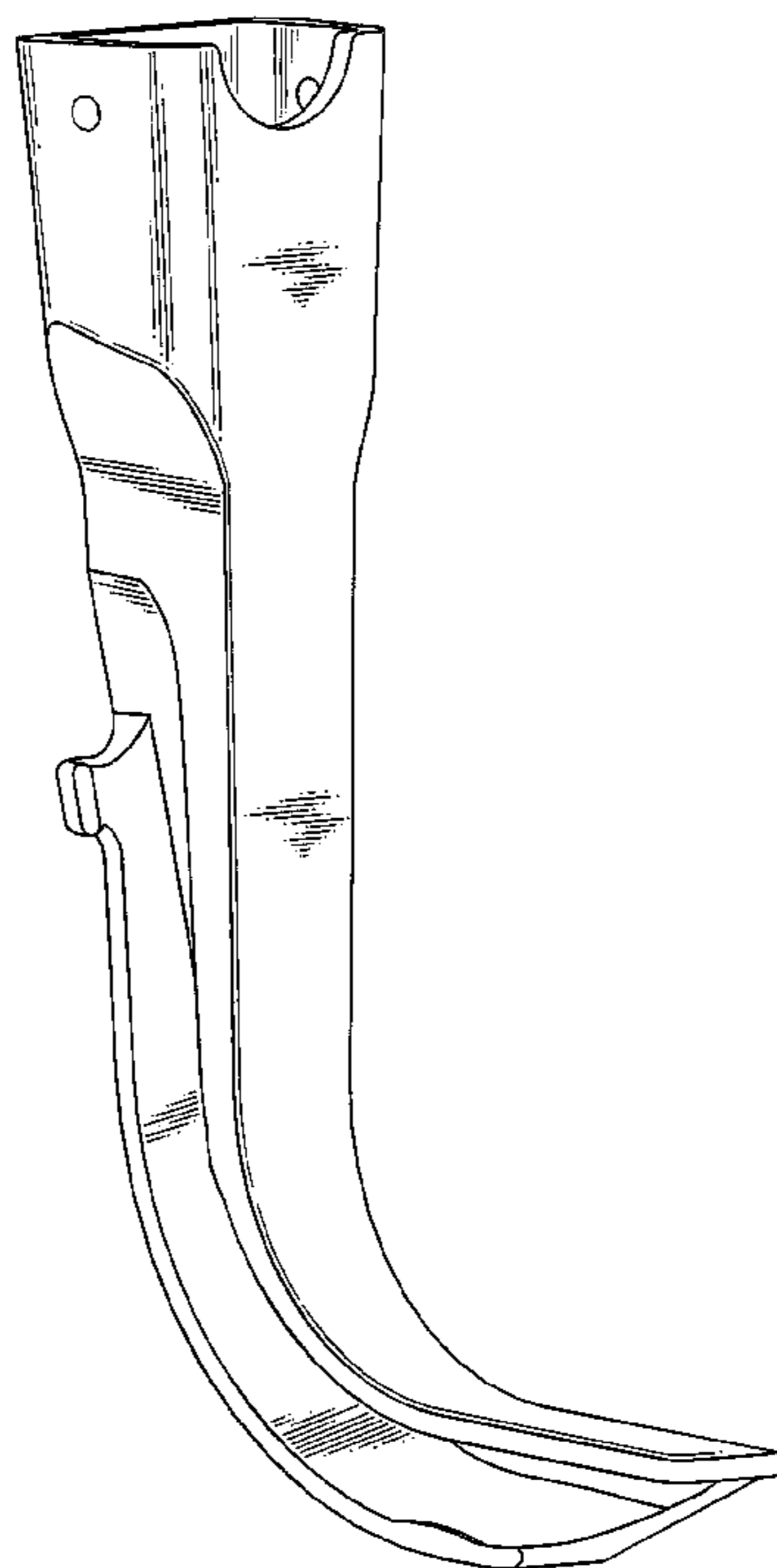
(57) **CLAIM**

The ornamental design for a laryngoscope blade, as shown and described.

DESCRIPTION

FIG. 1 is a perspective view of a laryngoscope blade with the design;
 FIG. 2 is a front view thereof;
 FIG. 3 is a rear view thereof;
 FIG. 4 is a left view thereof;
 FIG. 5 is a right view thereof;
 FIG. 6 is a top view thereof;
 FIG. 7 is a bottom view thereof; and
 FIG. 8 is a sectional view thereof taken along broken sectional line according to 8-8 direction of FIG. 3;
 FIG. 9 is a sectional view thereof taken along broken sectional line according to 9-9 direction of FIG. 3; and,
 FIG. 10 is a sectional view thereof taken along broken sectional line according to 10-10 direction of FIG. 3.

1 Claim, 7 Drawing Sheets



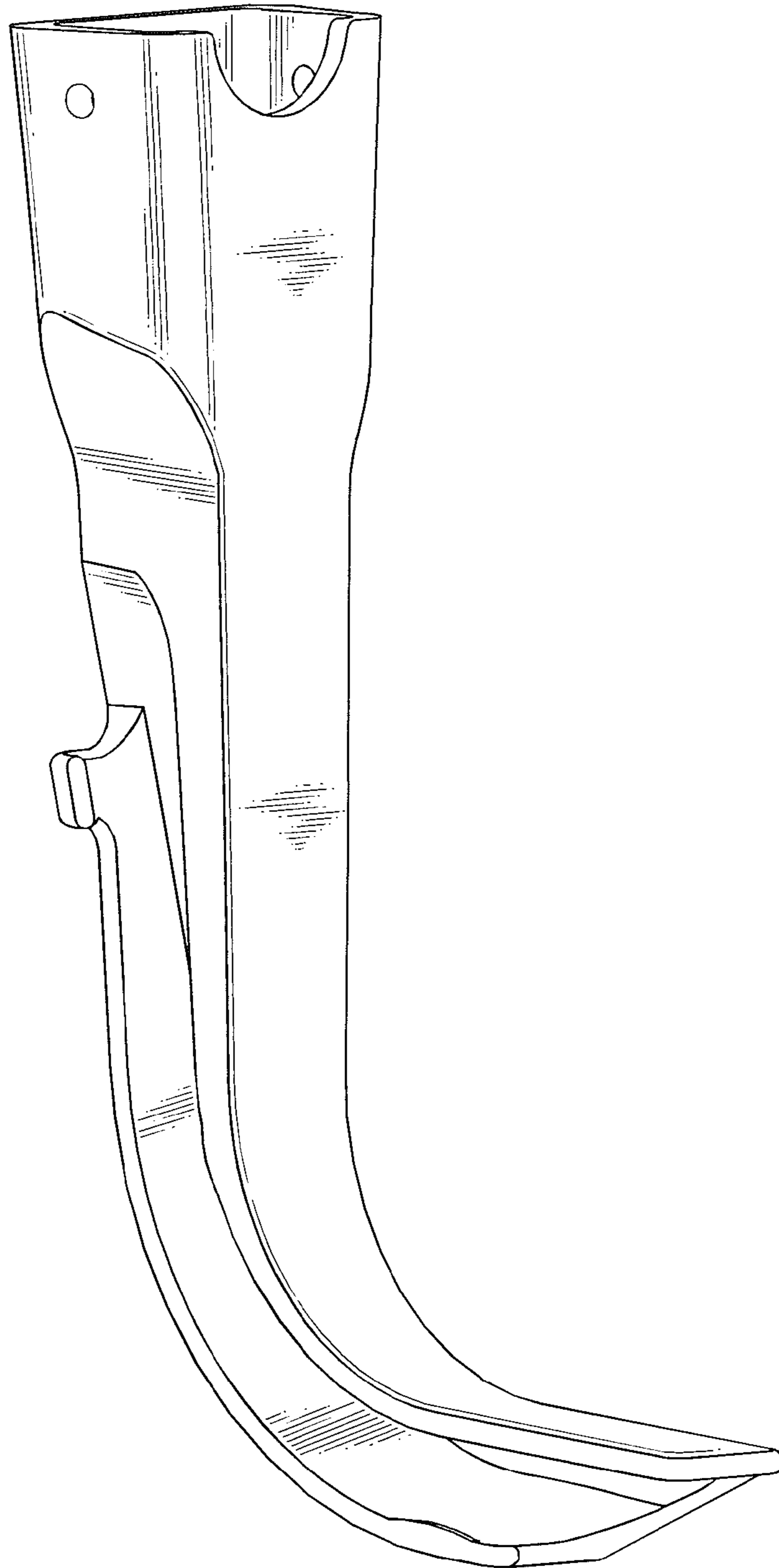


FIG. 1

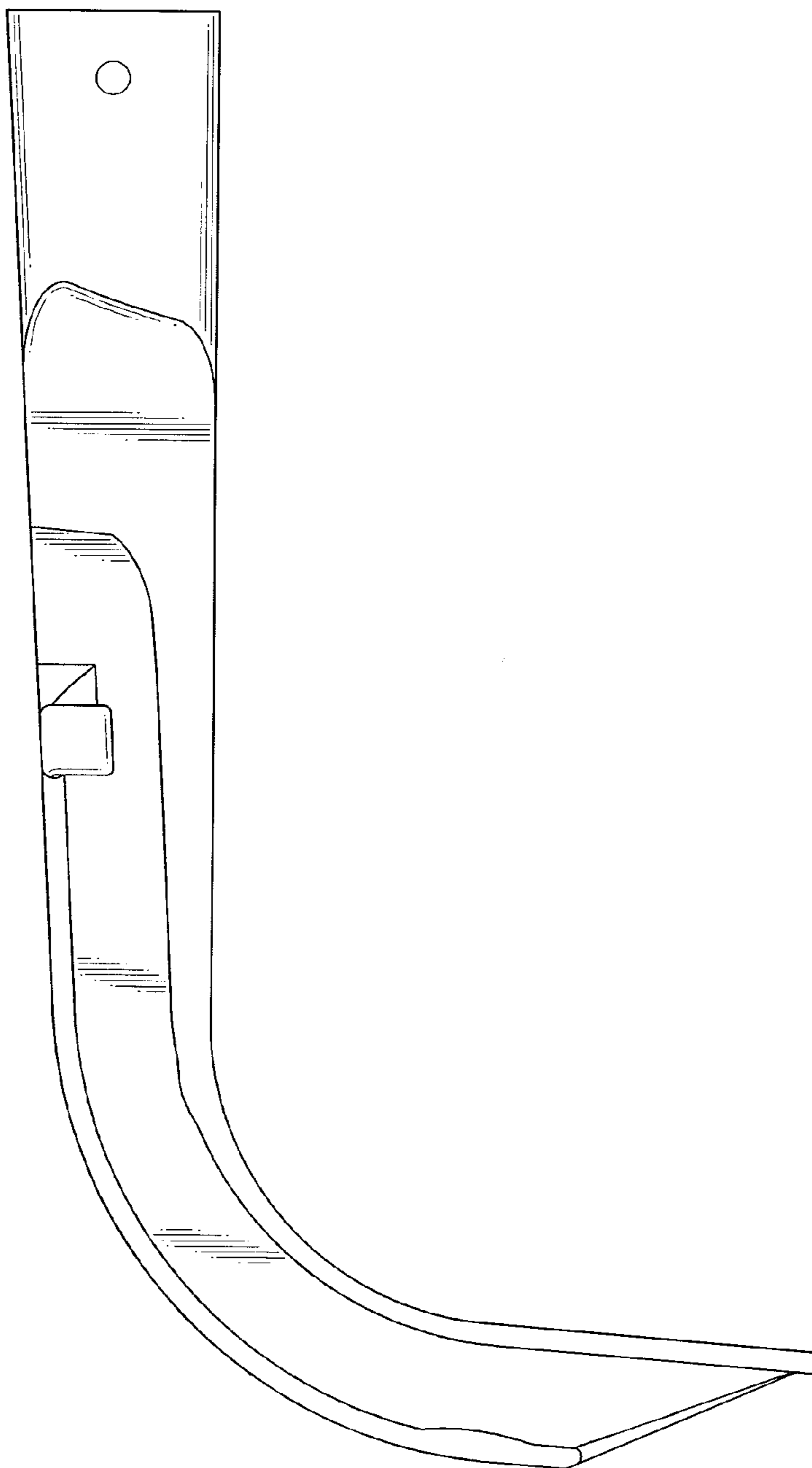


FIG. 2

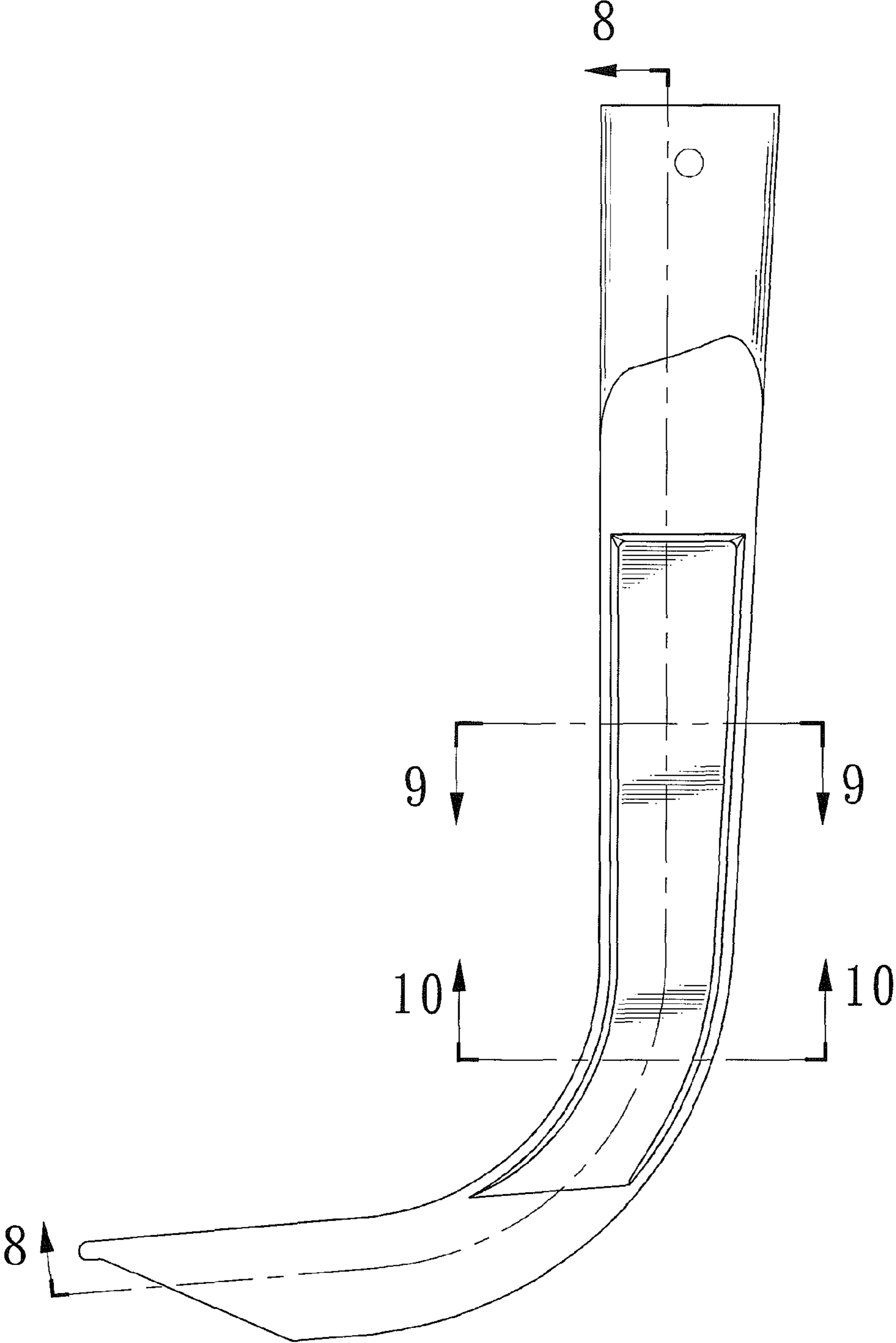


FIG. 3

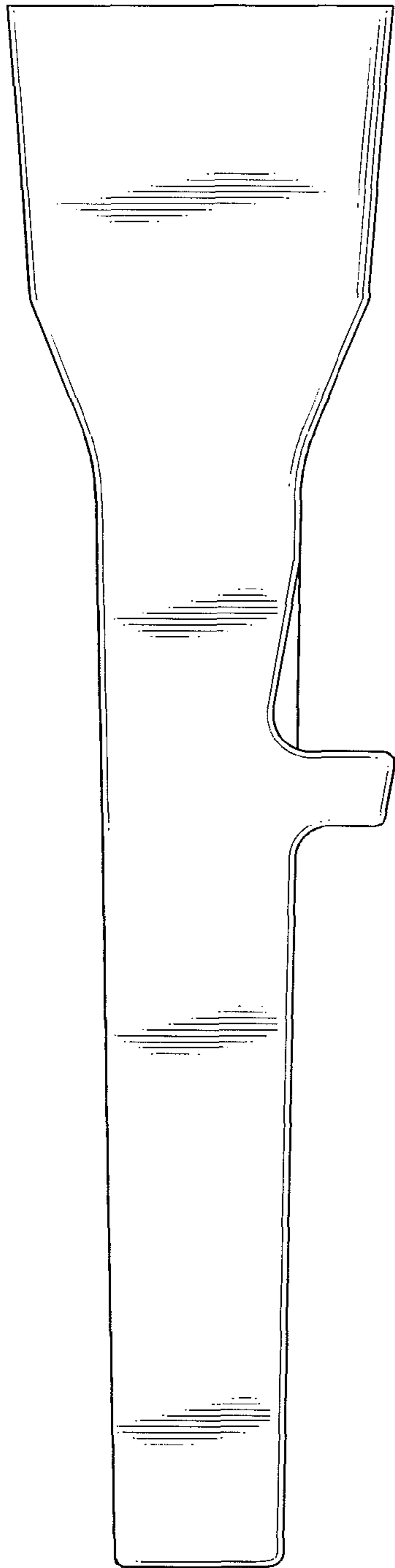


FIG. 4

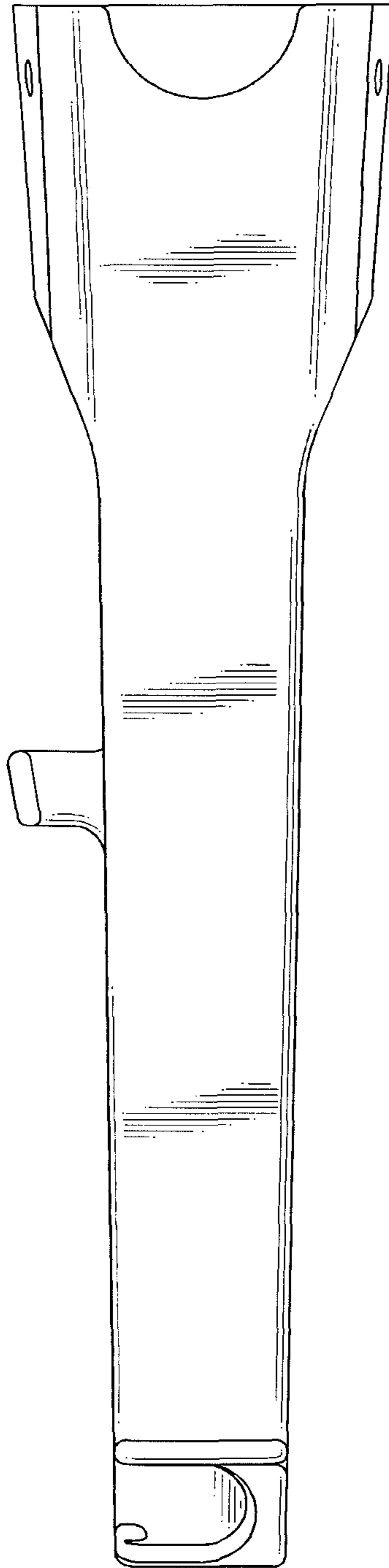


FIG. 5

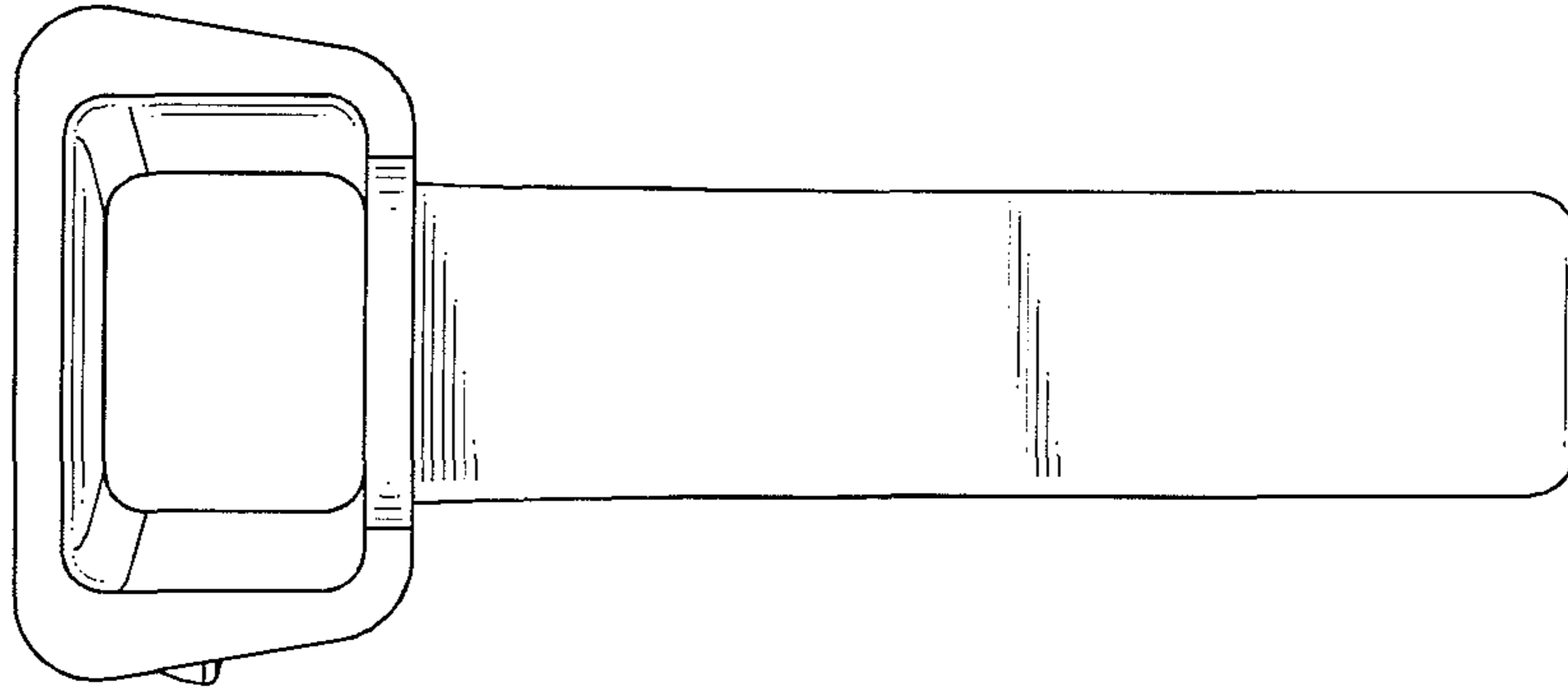


FIG. 6

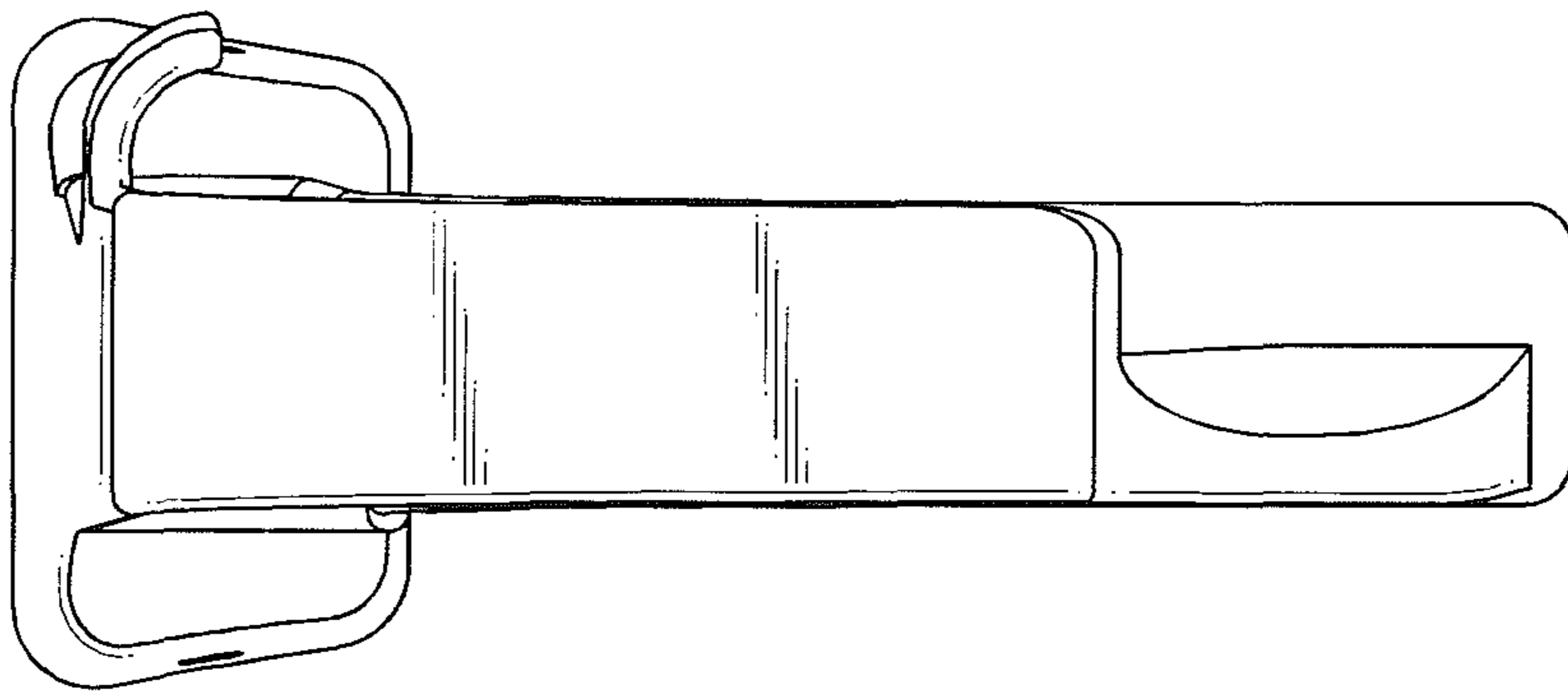


FIG. 7

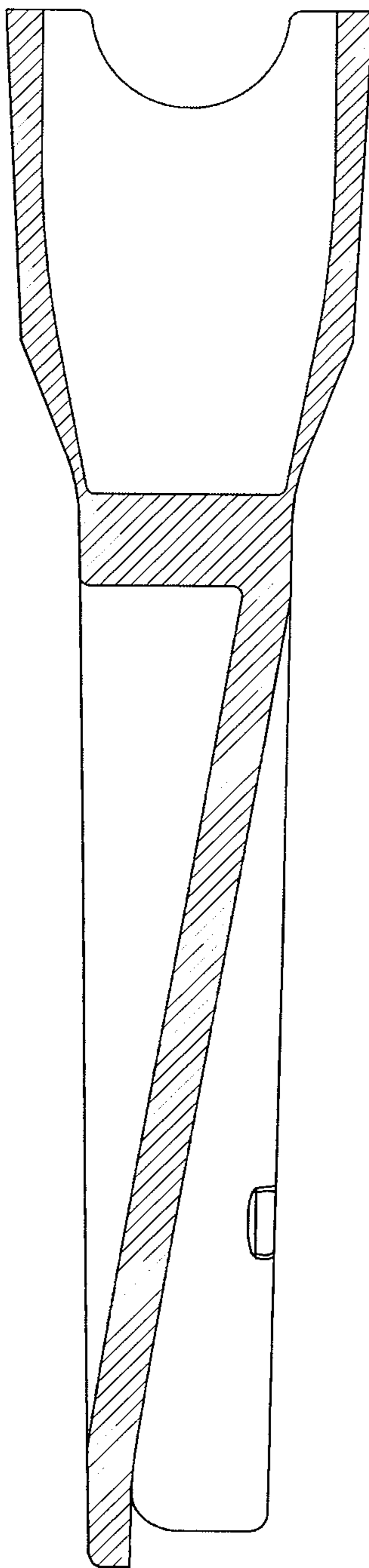


FIG. 8

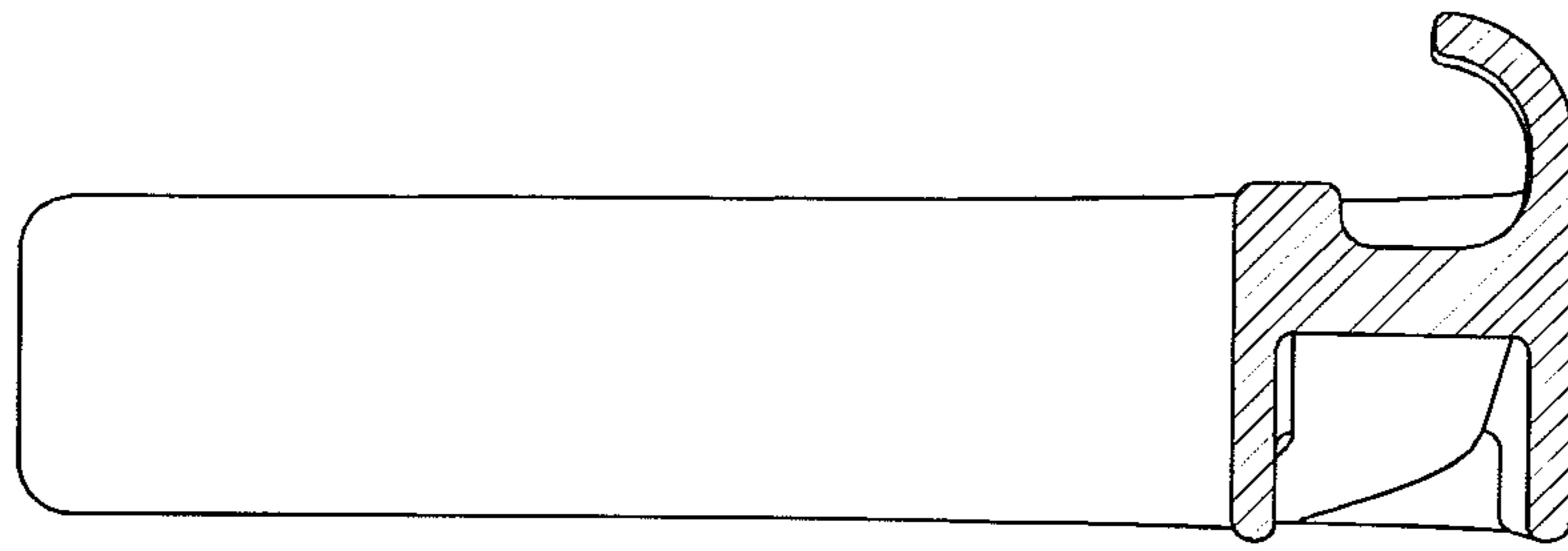


FIG. 9

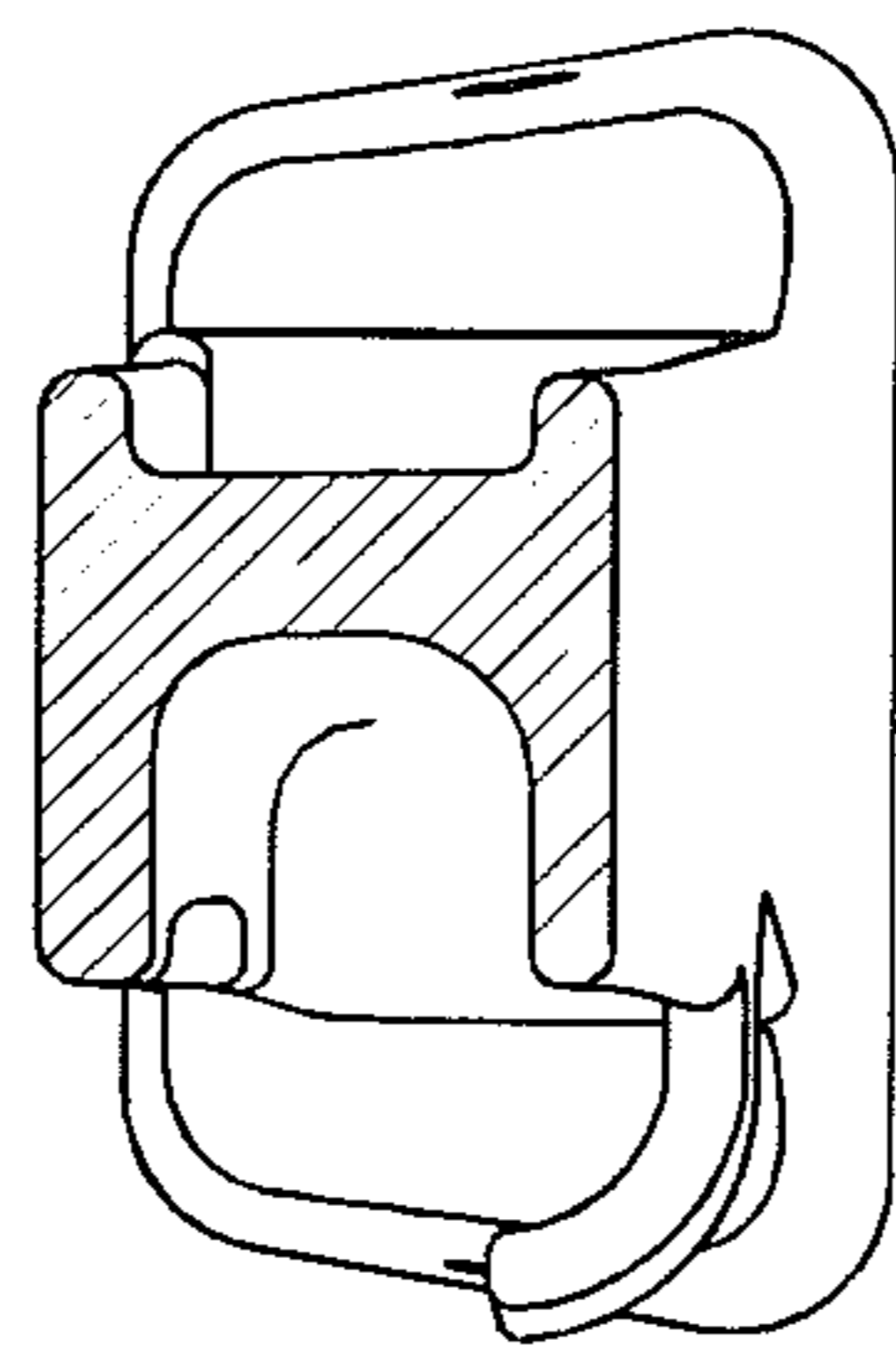


FIG. 10