

US00D746450S

(12) **United States Design Patent**  
**Anderson**

(10) **Patent No.:** **US D746,450 S**

(45) **Date of Patent:** **\*\* \*Dec. 29, 2015**

(54) **SURGICAL INSTRUMENT SHAFT WITH HOLE PATTERN**

(71) Applicant: **INTUITIVE SURGICAL OPERATIONS, INC.**, Sunnyvale, CA (US)

(72) Inventor: **S. Christopher Anderson**, San Francisco, CA (US)

(73) Assignee: **INTUITIVE SURGICAL OPERATIONS, INC.**, Sunnyvale, CA (US)

(\* ) Notice: This patent is subject to a terminal disclaimer.

(\*\*) Term: **14 Years**

(21) Appl. No.: **29/464,370**

(22) Filed: **Aug. 15, 2013**

(51) **LOC (10) Cl.** ..... **24-02**

(52) **U.S. Cl.**  
USPC ..... **D24/133**

(58) **Field of Classification Search**  
USPC ..... D19/199, 200, 203, 204; D24/133, 138, D24/144, 147, 146; D8/98, 198; 606/1, 606/166-167  
CPC .... A61B 1/00002; A61B 1/018; A61B 1/005; A61B 1/0125; A61B 1/008; A61B 1/24; A61B 1/00154; A61B 17/00; A61B 1/04  
See application file for complete search history.

(56) **References Cited**

U.S. PATENT DOCUMENTS

3,635,641 A \* 1/1972 Turner ..... 425/461  
D242,828 S \* 12/1976 Lahay ..... D24/112  
D305,295 S \* 1/1990 Momany ..... D8/70  
D421,303 S \* 2/2000 Cote et al. .... D24/133

D438,903 S \* 3/2001 Rosenbaum ..... D19/55  
D442,282 S \* 5/2001 Taylor et al. .... D24/143  
D496,730 S \* 9/2004 Morawski et al. .... D24/147  
D504,513 S \* 4/2005 Morawski et al. .... D24/147  
6,969,373 B2 \* 11/2005 Schwartz et al. .... 604/170.03  
D618,725 S \* 6/2010 Cetera ..... D19/55  
D682,938 S \* 5/2013 Larson et al. .... D19/55  
2005/0043682 A1 2/2005 Kucklick et al.  
2012/0010628 A1 1/2012 Cooper et al.  
2013/0123805 A1 5/2013 Park et al.

OTHER PUBLICATIONS

Design U.S. Appl. No. 29/464,362, filed Aug. 15, 2013.  
Design U.S. Appl. No. 29/464,364, filed Aug. 15, 2013.  
Design U.S. Appl. No. 29/464,366, filed Aug. 15, 2013.  
Design U.S. Appl. No. 29/464,367, filed Aug. 15, 2013.  
Design U.S. Appl. No. 29/464,369, filed Aug. 15, 2013.  
U.S. Appl. No. 61/866,311, filed Aug. 15, 2013.

\* cited by examiner

*Primary Examiner* — Wan Laymon  
*Assistant Examiner* — Mark Booker

(57) **CLAIM**

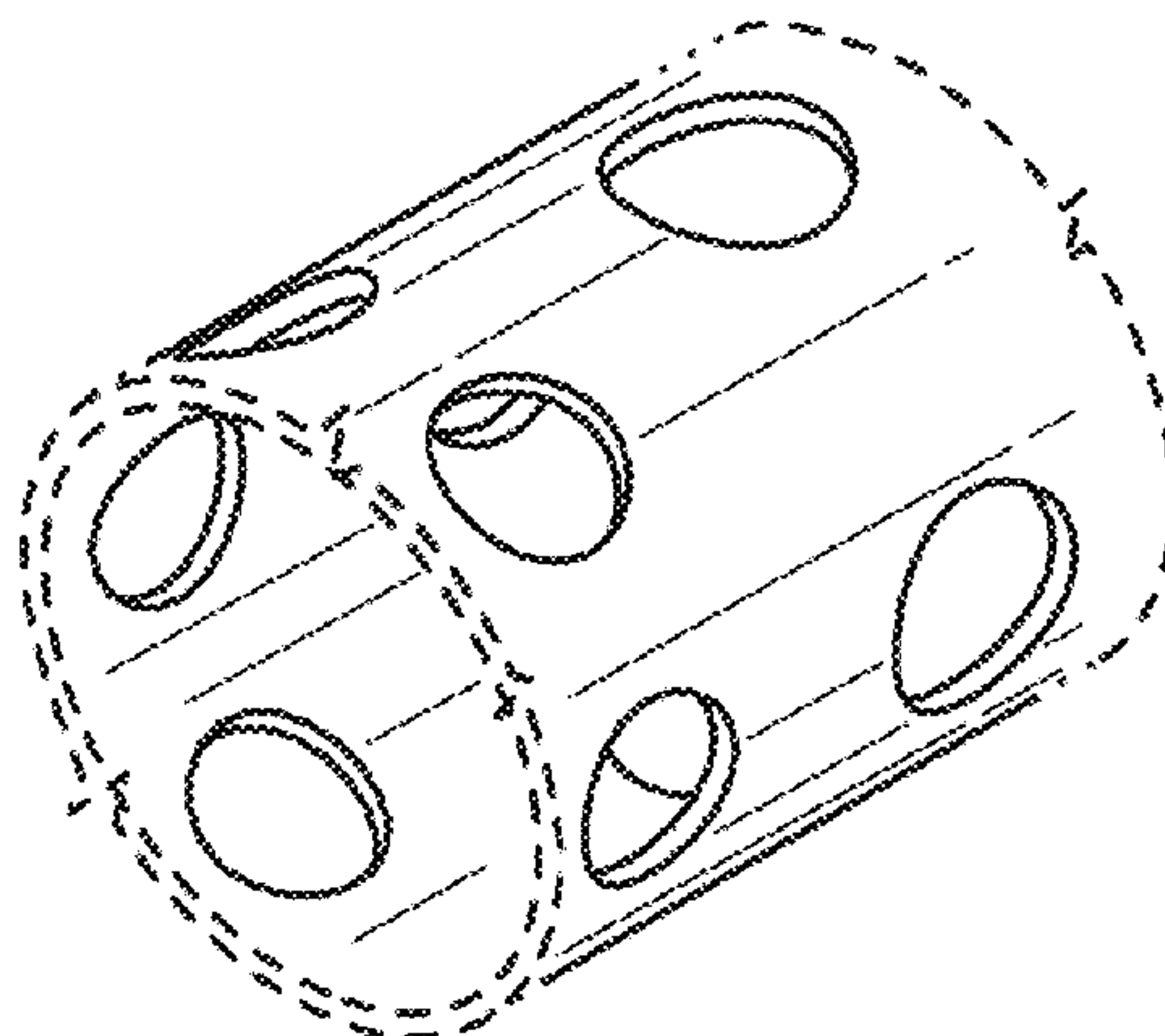
The ornamental design for a surgical instrument shaft with hole pattern, as shown and described.

**DESCRIPTION**

FIG. 1 is a perspective view of a surgical instrument shaft with hole pattern showing my new design; FIG. 2 is a top plan view thereof; and, FIG. 3 is a first side view thereof.

The environmental structure depicted in broken lines of even length and in dotted lines forms no part of the claimed design. The surface shading lines also form no part of the claimed design but are intended to depict curvature of the shaft that includes the claimed hole pattern. Portions of the article beyond the broken away symbols form no part of the claimed design.

**1 Claim, 1 Drawing Sheet**



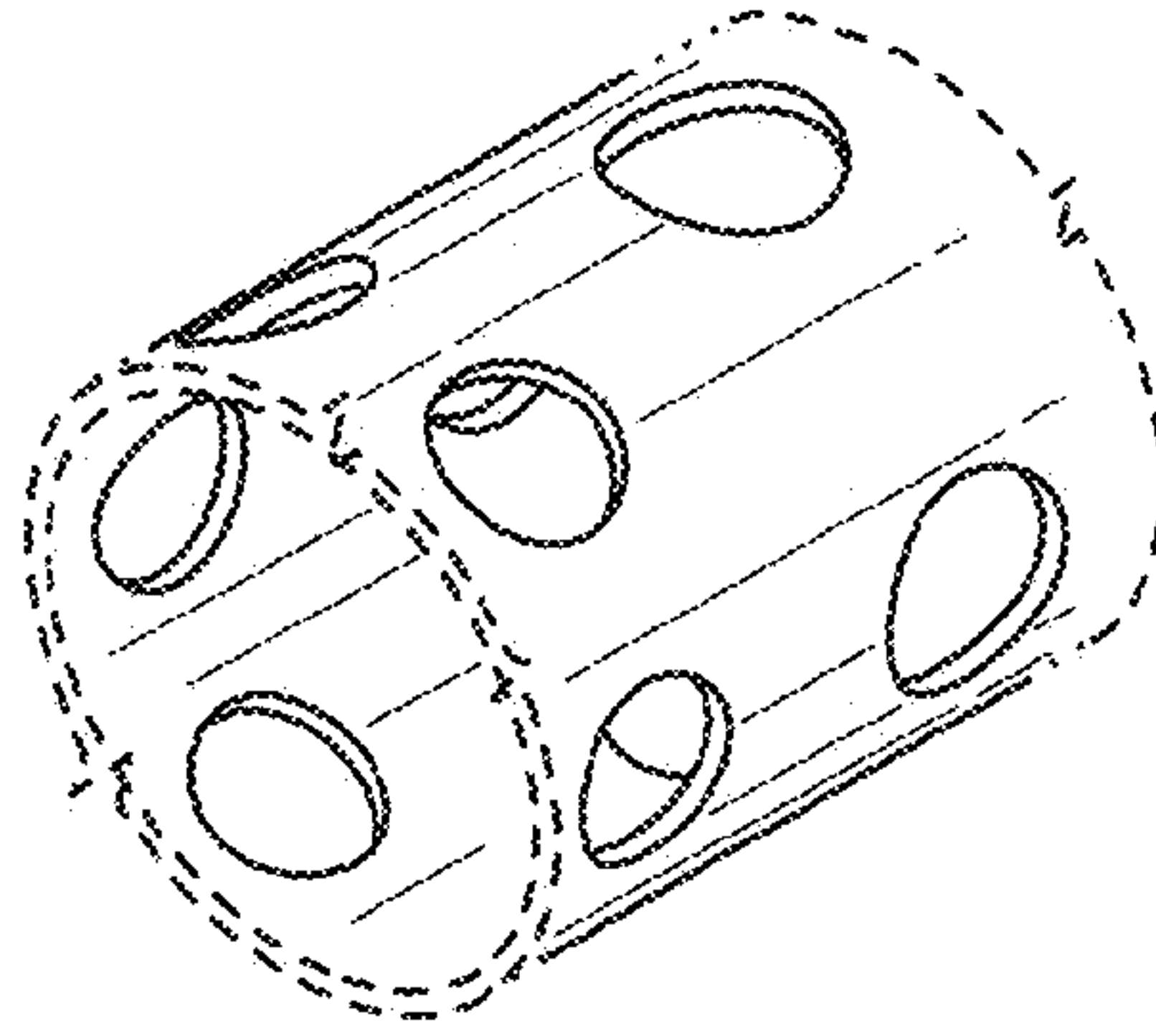


FIG. 1

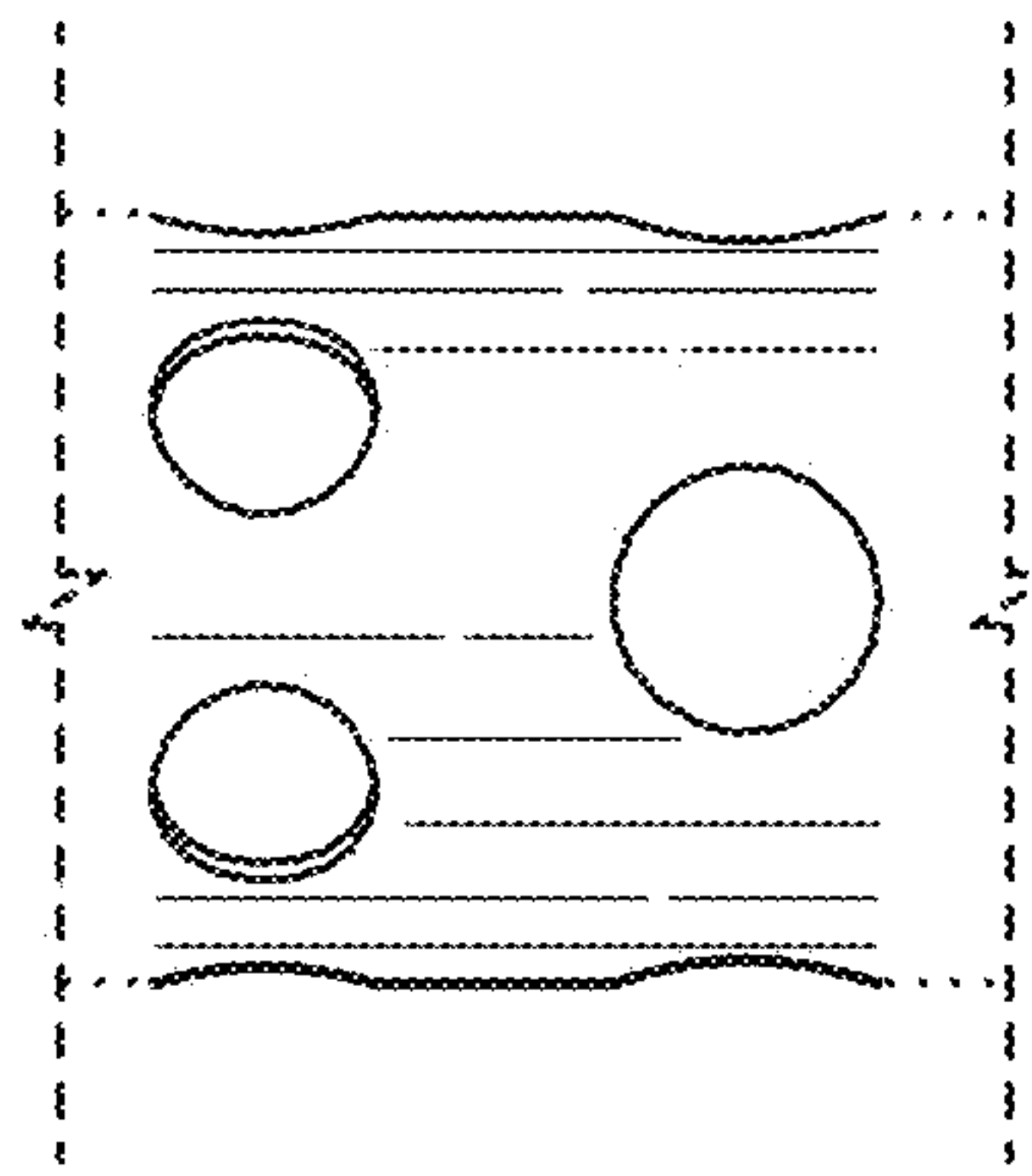


FIG. 2

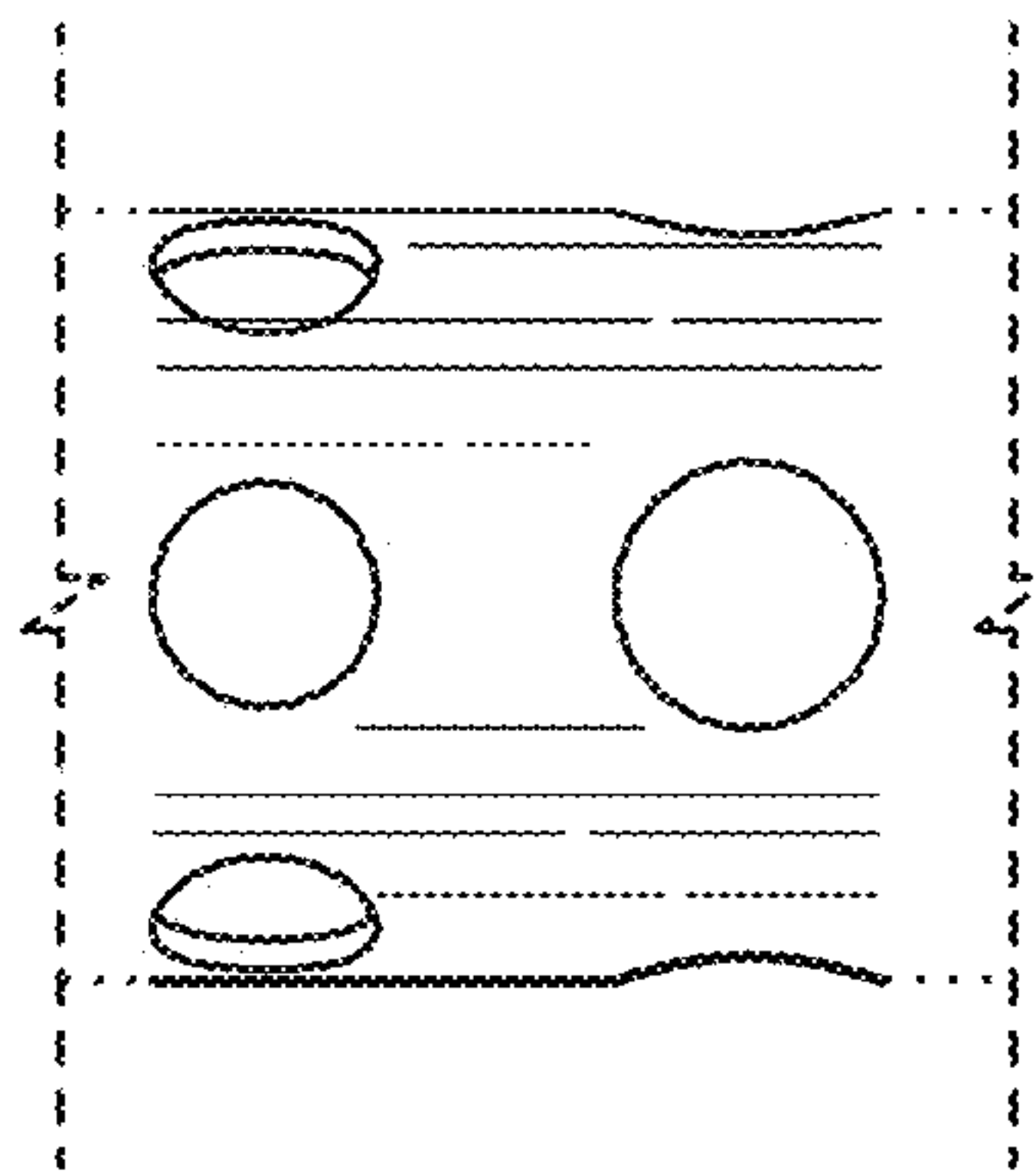


FIG. 3