



US00D746447S

(12) **United States Design Patent**
Wheeler

(10) **Patent No.:** **US D746,447 S**

(45) **Date of Patent:** **** Dec. 29, 2015**

(54) **COUPLER BODY**

(71) Applicant: **Eldon James Corp.**, Denver, CO (US)

(72) Inventor: **Erin M. Wheeler**, Denver, CO (US)

(73) Assignee: **Eldon James Corp.**, Denver, CO (US)

(**) Term: **14 Years**

(21) Appl. No.: **29/486,449**

(22) Filed: **Mar. 28, 2014**

(51) **LOC (10) Cl.** **24-01**

(52) **U.S. Cl.**
USPC **D24/129**

(58) **Field of Classification Search**
USPC D8/356, 382, 303, 313, 314, 321, 499;
D24/107, 108, 127, 129, 169, 231,
D24/112; D23/213, 233, 249, 262, 259,
D23/303, 352, 421, 499
CPC A61M 39/10; A61M 39/26; A61M
2039/1027; A61M 2039/1061; A61M
2039/1088; A61M 39/12; A61M 2039/1066;
A61M 16/0816; F16L 37/06; F16L 37/56;
F16L 37/02; F16L 17/06; F16L 21/03; F16L
21/035; Y10S 604/905
See application file for complete search history.

(56) **References Cited**

U.S. PATENT DOCUMENTS

4,319,774 A * 3/1982 Kavick 285/256
4,966,398 A * 10/1990 Peterson 285/319
5,405,339 A * 4/1995 Kohnen et al. 604/535
7,811,278 B2 * 10/2010 Knipple et al. 604/535

D630,320 S * 1/2011 Lombardi et al. D24/129
D657,652 S * 4/2012 Lin D8/303
D720,594 S * 1/2015 Henderson D8/107
D725,987 S * 4/2015 May D8/303
D733,265 S * 6/2015 Eriksen et al. D23/262
D733,846 S * 7/2015 Guest D23/262
2007/0169825 A1 * 7/2007 Packham et al. 137/614.05
2010/0301599 A1 * 12/2010 Jensen et al. 285/308
2015/0174436 A1 * 6/2015 Peel et al. 169/48

FOREIGN PATENT DOCUMENTS

EP 0098282 A4 * 7/1985 A61M 39/1011

* cited by examiner

Primary Examiner — Sheryl Lane

Assistant Examiner — Ieisha Price

(74) *Attorney, Agent, or Firm* — Craig R. Miles; CR Miles P.C.

(57) **CLAIM**

I claim the ornamental design for a coupler body, as shown and described.

DESCRIPTION

FIG. 1 is a top and left side perspective of a coupler body, embodying my new design;
FIG. 2 is a left elevation view thereof;
FIG. 3 is a right elevation view thereof;
FIG. 4 is a top plan view thereof;
FIG. 5 is a bottom plan view thereof;
FIG. 6 is rear elevation view thereof; and,
FIG. 7 is front elevation view thereof.

The broken lines shown are included for the purpose of illustrating the unclaimed portions of the article and form no part of the claim.

1 Claim, 3 Drawing Sheets

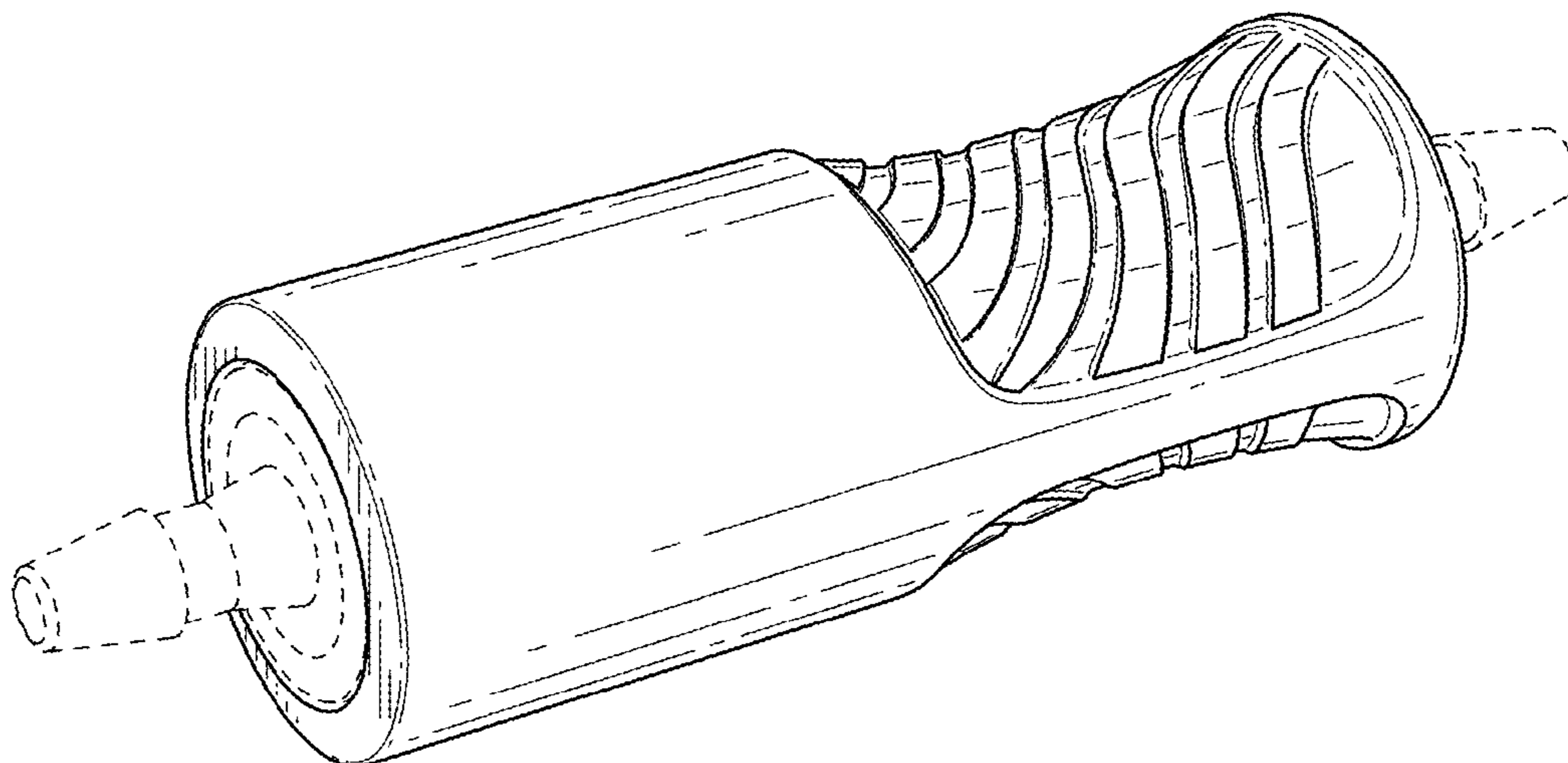


FIG. 1

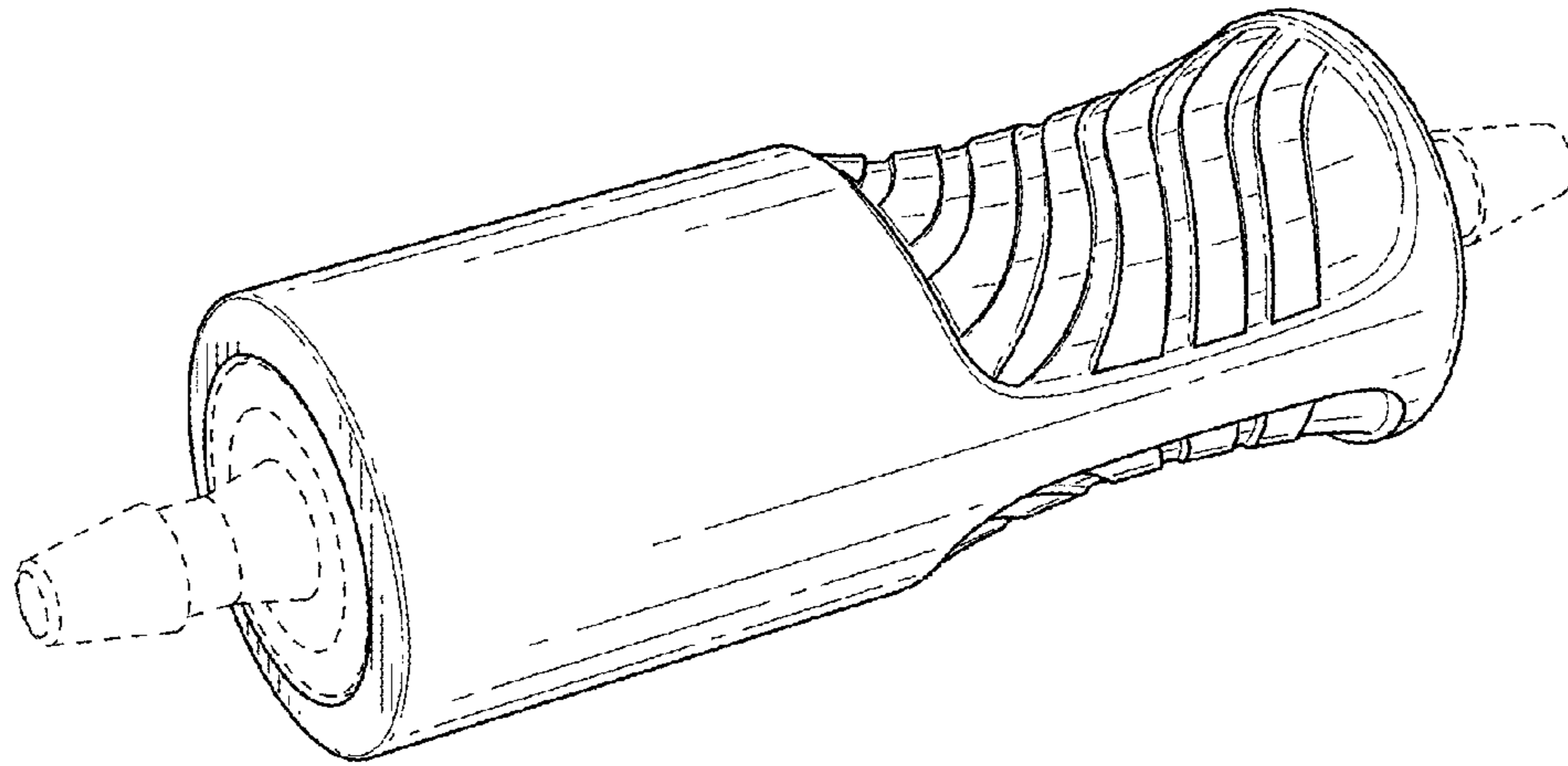


FIG. 2

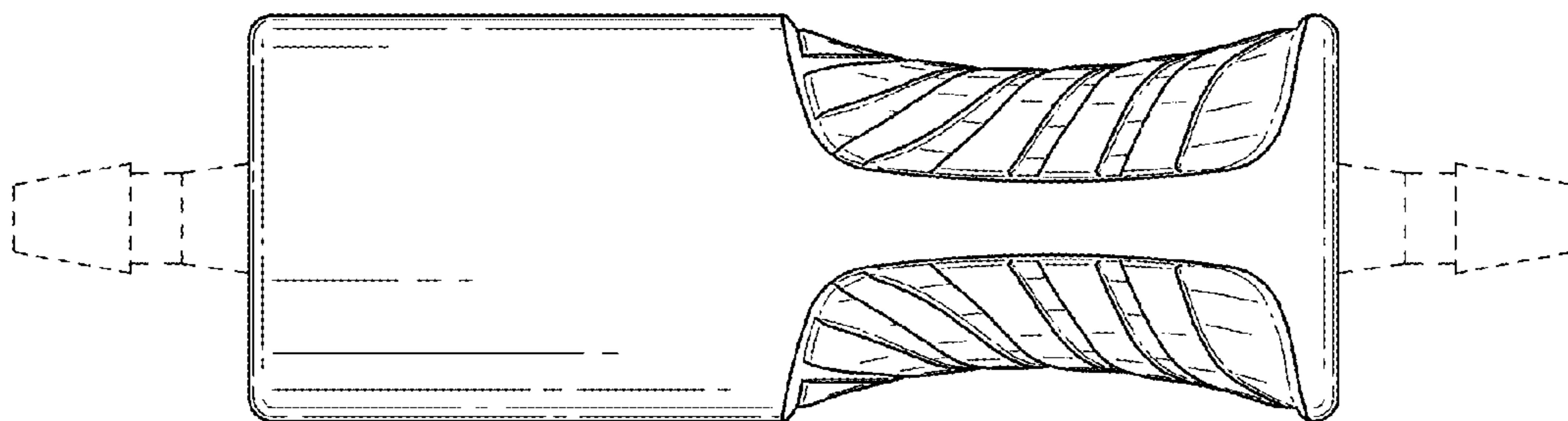


FIG. 3

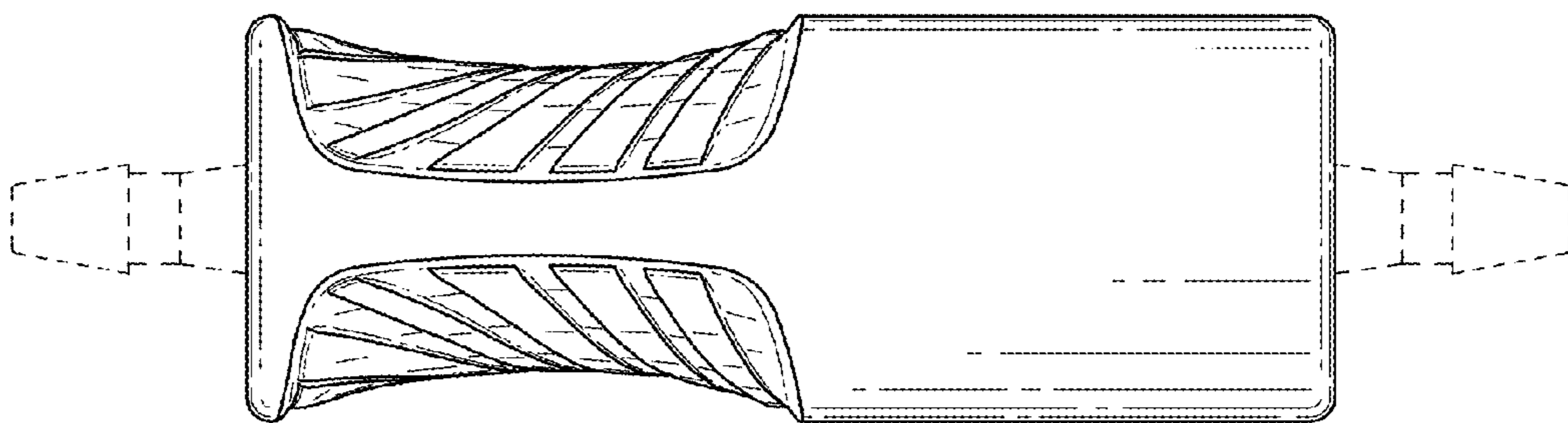


FIG. 4

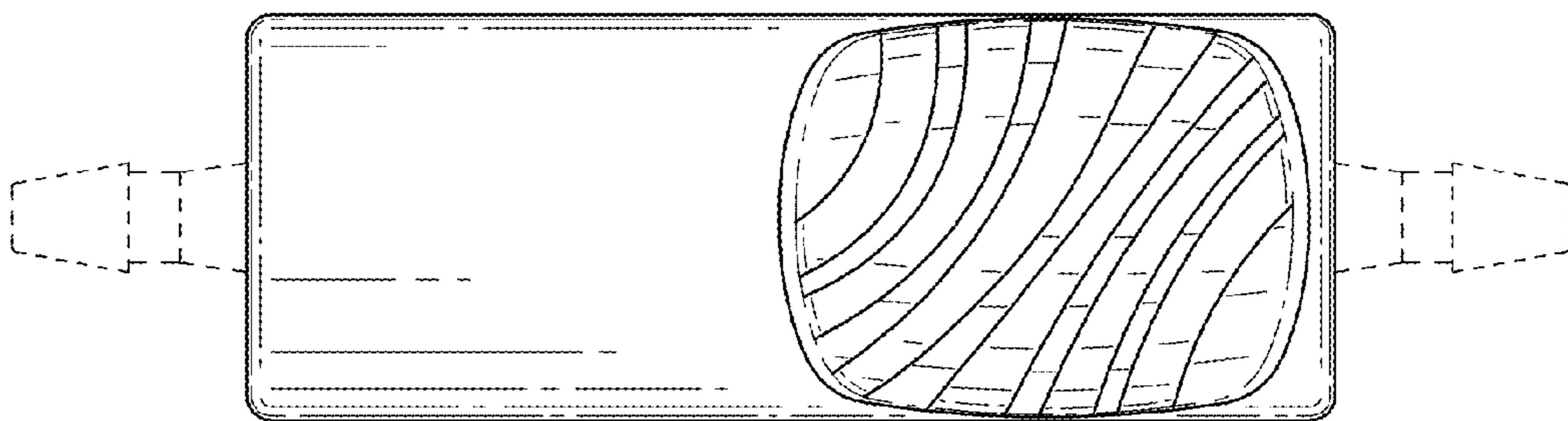


FIG. 5

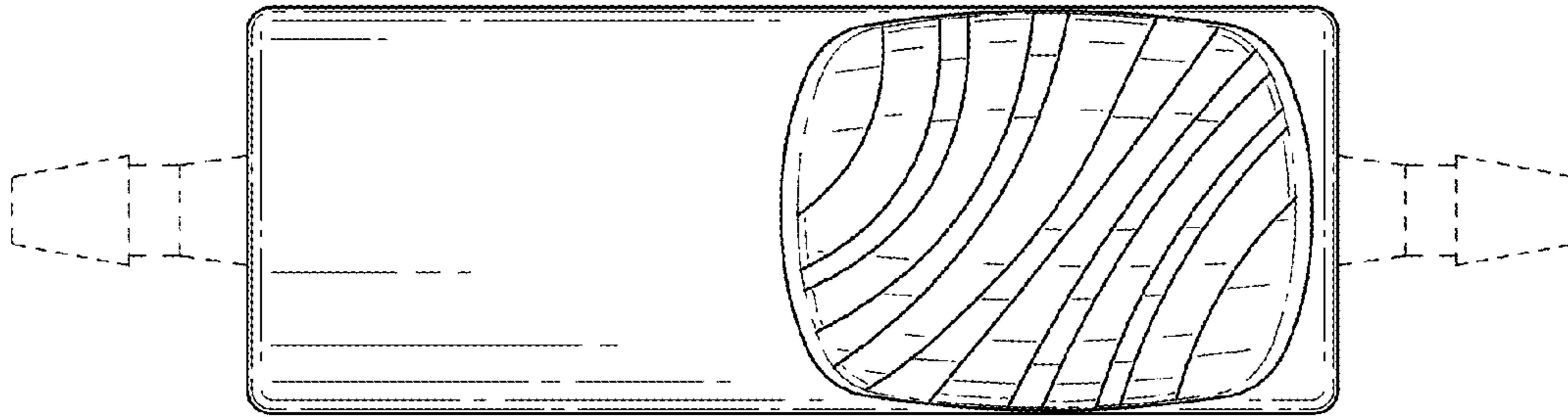


FIG. 6

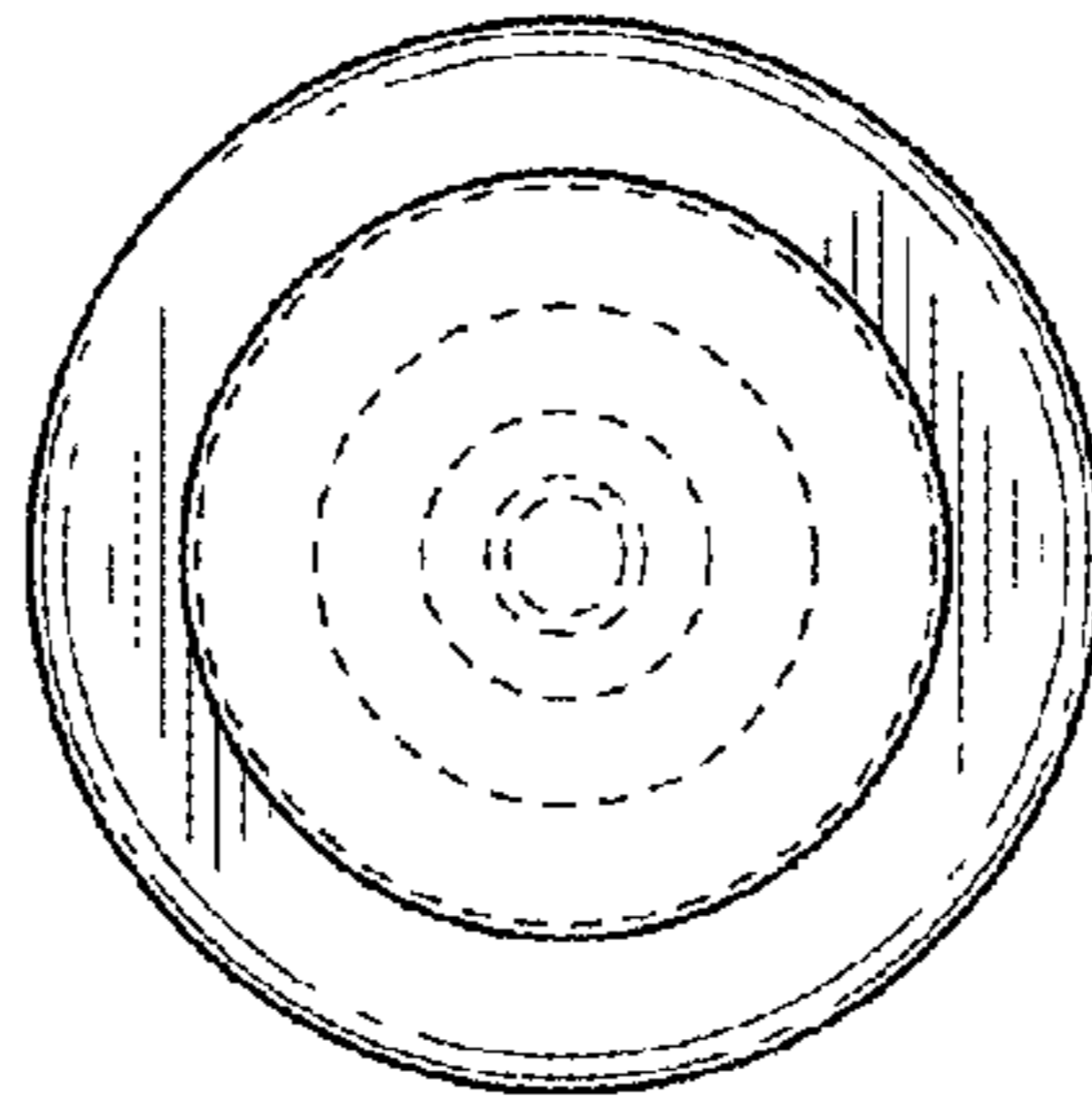


FIG. 7

