



US00D746441S

(12) **United States Design Patent**
Harr et al.

(10) **Patent No.:** **US D746,441 S**
(45) **Date of Patent:** **** Dec. 29, 2015**

(54) **PUMP**
(71) Applicant: **Covidien LP**, Mansfield, MA (US)
(72) Inventors: **James M. Harr**, Wentzville, MO (US);
Gabriel McHugh, Braintree, MA (US);
Paul Trelford, St. Louis, MO (US);
Gary J. Waldhoff, St. Charles, MO
(US); **Dennis Scott Prows**, Lutz, FL
(US); **Kenneth M. Breitweiser**,
Brighton, IL (US); **Joel D. Wiesner**, St.
Peters, MO (US); **Matthew Bodi**, Tarpon
Springs, FL (US)

6,578,002 B1 6/2003 Derzay et al.
6,695,806 B2 * 2/2004 Gelfand et al. 604/6.09
6,790,198 B1 9/2004 White et al.
6,839,753 B2 1/2005 Biondi et al.
6,942,473 B2 * 9/2005 Abrahamson et al. 417/474
7,028,182 B1 4/2006 Killcommons
7,050,984 B1 5/2006 Kerpelman et al.
7,082,460 B2 7/2006 Hansen et al.
D535,202 S * 1/2007 Sisk et al. D10/57
7,178,149 B2 2/2007 Hansen
7,185,014 B1 2/2007 Hansen
7,236,936 B2 6/2007 White et al.
7,294,105 B1 11/2007 Islam
7,316,648 B2 1/2008 Kelly et al.
7,349,947 B1 3/2008 Slage et al.
7,508,787 B2 3/2009 Doshi et al.
7,529,561 B2 5/2009 HeiMonen et al.
7,539,532 B2 5/2009 Tran

(73) Assignee: **Covidien LP**, Mansfield, MA (US)

(**) Term: **14 Years**

(21) Appl. No.: **29/466,985**

(22) Filed: **Sep. 13, 2013**

(51) **LOC (10) Cl.** **24-02**

(52) **U.S. Cl.**
USPC **D24/111**

(58) **Field of Classification Search**
USPC D24/111; 417/477.2, 474-476, 477.1,
417/477.3-477.9, 477.11-477.14; 604/500,
604/151

See application file for complete search history.

(56) **References Cited**

U.S. PATENT DOCUMENTS

5,451,839 A 9/1995 Rappaport et al.
5,655,897 A 8/1997 Neffel et al.
5,936,539 A 8/1999 Fuchs
6,062,829 A 5/2000 Ognier
6,221,012 B1 4/2001 Maschke et al.
6,377,162 B1 4/2002 Delestienne et al.
6,377,806 B1 4/2002 Tokuyoshi
6,442,433 B1 8/2002 Linberg
6,519,569 B1 2/2003 White et al.
6,541,839 B1 4/2003 Giffard et al.

(Continued)

FOREIGN PATENT DOCUMENTS

CA 2648885 A1 11/2007
CA 2644635 A1 8/2008

(Continued)

Primary Examiner — Wan Laymon

Assistant Examiner — Mark Booker

(57) **CLAIM**

The ornamental design for a pump, as shown and described.

DESCRIPTION

FIG. 1 is a front perspective view of a pump having portions shown in phantom;

FIG. 2 is a front view thereof;

FIG. 3 is a right side view thereof;

FIG. 4 is a top plan view thereof;

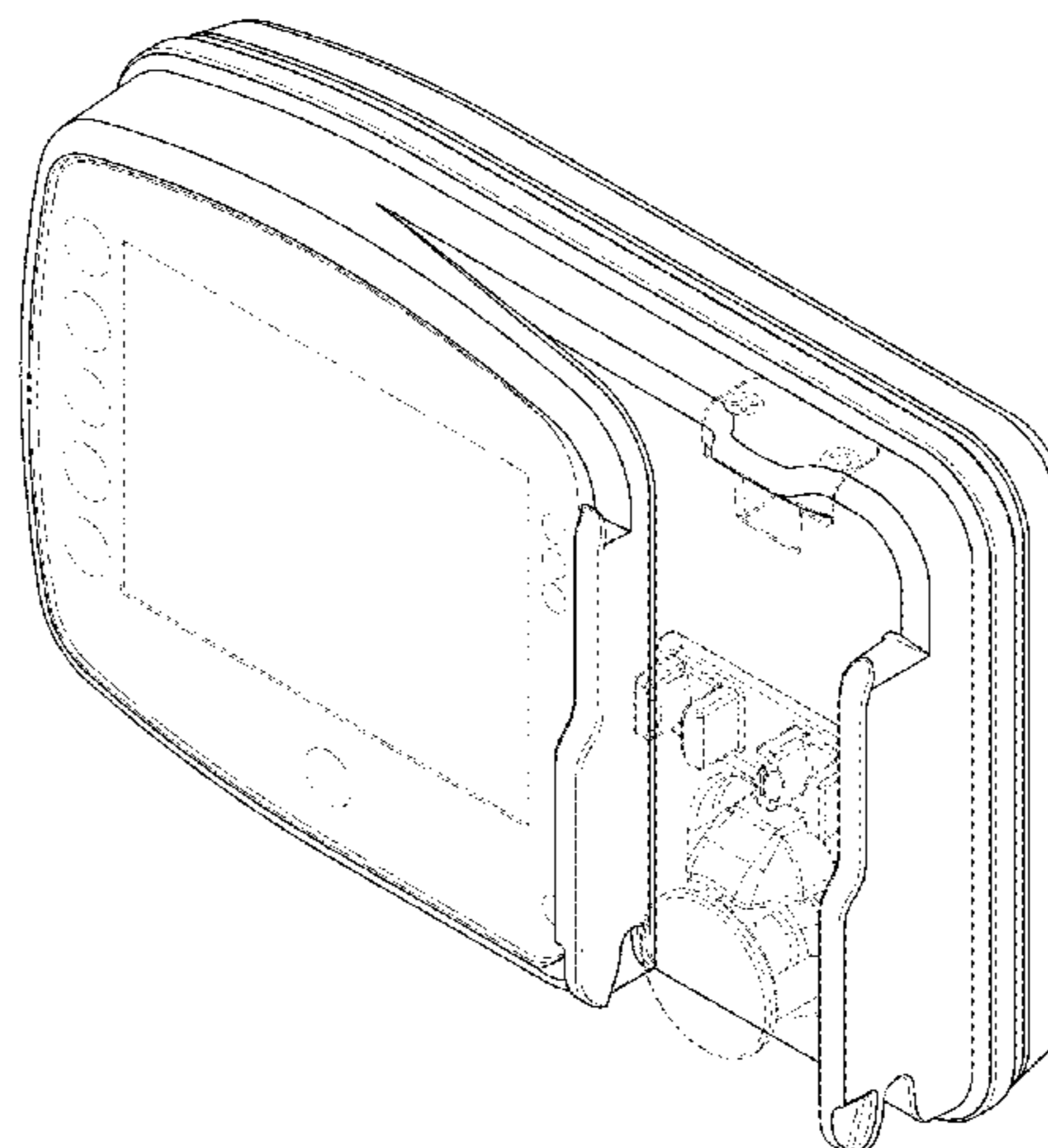
FIG. 5 is a rear view thereof;

FIG. 6 is a left side view thereof; and,

FIG. 7 is a bottom plan view thereof.

The elements shown in phantom form no part of the claimed design.

1 Claim, 7 Drawing Sheets



(56)

References Cited

U.S. PATENT DOCUMENTS

| | | | | | | | |
|--------------|-----|---------|-------------------------------|--------------|-----|---------|--------------------------------|
| 7,539,533 | B2 | 5/2009 | Tran | 2008/0097550 | A1 | 4/2008 | Dicks et al. |
| 7,558,622 | B2 | 7/2009 | Tran | 2008/0097551 | A1 | 4/2008 | Dicks et al. |
| 7,613,169 | B2 | 11/2009 | Vaitinen et al. | 2008/0097552 | A1 | 4/2008 | Dicks et al. |
| 7,645,258 | B2 | 1/2010 | White et al. | 2008/0097793 | A1 | 4/2008 | Dicks et al. |
| 7,707,047 | B2 | 4/2010 | Hasan et al. | 2008/0097908 | A1 | 4/2008 | Dicks et al. |
| 7,733,224 | B2 | 6/2010 | Tran | 2008/0097909 | A1 | 4/2008 | Dicks et al. |
| 7,752,058 | B2 | 7/2010 | Sasaki et al. | 2008/0097910 | A1 | 4/2008 | Dicks et al. |
| 7,827,040 | B2 | 11/2010 | Brown | 2008/0097911 | A1 | 4/2008 | Dicks et al. |
| 7,873,772 | B2 | 1/2011 | Waldhoff et al. | 2008/0097912 | A1 | 4/2008 | Dicks et al. |
| 7,934,912 | B2 | 5/2011 | Voltenburg, Jr. et al. | 2008/0097913 | A1 | 4/2008 | Dicks et al. |
| 7,937,370 | B2 | 5/2011 | Hansen | 2008/0097914 | A1 | 4/2008 | Dicks et al. |
| 7,942,844 | B2 | 5/2011 | Moberg et al. | 2008/0097917 | A1 | 4/2008 | Dicks et al. |
| 7,949,164 | B2 | 5/2011 | Degani et al. | 2008/0108880 | A1 | 5/2008 | Young et al. |
| 7,949,404 | B2 | 5/2011 | Hill | 2008/0183502 | A1 | 7/2008 | Dicks et al. |
| 7,978,062 | B2 | 7/2011 | LaLonde | 2008/0224852 | A1 | 9/2008 | Dicks et al. |
| 8,002,701 | B2 | 8/2011 | John et al. | 2008/0281168 | A1 | 11/2008 | Gibson et al. |
| RE42,934 | E | 11/2011 | Thompson | 2009/0019061 | A1 | 1/2009 | Scannell, Jr. |
| 8,047,819 | B2 | 11/2011 | Lawrence et al. | 2009/0023391 | A1 | 1/2009 | Falck |
| 8,073,008 | B2 | 12/2011 | Mehta et al. | 2009/0058635 | A1 | 3/2009 | LaLonde et al. |
| 8,095,381 | B2 | 1/2012 | Simons et al. | 2009/0058636 | A1 | 3/2009 | Gaskill et al. |
| 8,108,543 | B2 | 1/2012 | Hansen | 2009/0062887 | A1 | 3/2009 | Mass et al. |
| 8,125,318 | B2 | 2/2012 | Heimbrock et al. | 2009/0063187 | A1 | 3/2009 | Johnson et al. |
| 8,126,728 | B2 | 2/2012 | Dicks et al. | 2009/0063193 | A1 | 3/2009 | Barton et al. |
| 8,126,729 | B2 | 2/2012 | Dicks et al. | 2009/0073694 | A1 | 3/2009 | Scannell, Jr. |
| 8,126,730 | B2 | 2/2012 | Dicks et al. | 2009/0087325 | A1* | 4/2009 | Voltenburg et al. 417/476 |
| 8,126,732 | B2 | 2/2012 | Dicks et al. | 2009/0105549 | A1 | 4/2009 | Smith et al. |
| 8,126,733 | B2 | 2/2012 | Dicks et al. | 2009/0115628 | A1 | 5/2009 | Dicks et al. |
| 8,126,734 | B2 | 2/2012 | Dicks et al. | 2009/0128320 | A1 | 5/2009 | Needham et al. |
| 8,126,735 | B2 | 2/2012 | Dicks et al. | 2009/0184835 | A1 | 7/2009 | Deaver, Sr. et al. |
| 8,131,564 | B2 | 3/2012 | Dicks et al. | 2009/0203329 | A1 | 8/2009 | White et al. |
| 8,131,565 | B2 | 3/2012 | Dicks et al. | 2009/0234672 | A1 | 9/2009 | Dicks et al. |
| 8,131,566 | B2 | 3/2012 | Dicks et al. | 2009/0247114 | A1 | 10/2009 | Sennett et al. |
| 8,140,356 | B2 | 3/2012 | Dicks et al. | 2009/0252117 | A1 | 10/2009 | Sherman et al. |
| 8,155,982 | B2 | 4/2012 | Dicks et al. | 2009/0299788 | A1 | 12/2009 | Huber et al. |
| 8,197,236 | B2 | 6/2012 | McIntosh | 2009/0306747 | A1 | 12/2009 | Fischer et al. |
| 8,200,195 | B2 | 6/2012 | Le Saint et al. | 2010/0011000 | A1 | 1/2010 | Chakra et al. |
| 8,214,549 | B2 | 7/2012 | Dicks et al. | 2010/0027518 | A1 | 2/2010 | Wang |
| 8,326,648 | B2 | 12/2012 | Kenedy et al. | 2010/0077115 | A1 | 3/2010 | Rofougaran |
| 8,373,556 | B2 | 2/2013 | LaLonde et al. | 2010/0079276 | A1 | 4/2010 | Collins et al. |
| 8,395,498 | B2 | 3/2013 | Gaskill et al. | 2010/0080200 | A1 | 4/2010 | Stewart |
| 8,428,722 | B2 | 4/2013 | Verhoef et al. | 2010/0082371 | A1 | 4/2010 | Kamp et al. |
| 8,515,547 | B2 | 8/2013 | Mass et al. | 2010/0085948 | A1 | 4/2010 | Yu et al. |
| 8,545,198 | B2 | 10/2013 | Artsyukhovich et al. | 2010/0117835 | A1 | 5/2010 | Nanikashvili |
| 8,587,427 | B2 | 11/2013 | LaLonde et al. | 2010/0138235 | A1 | 6/2010 | Marks et al. |
| 8,694,600 | B2 | 4/2014 | Gaines et al. | 2010/0166170 | A1 | 7/2010 | East et al. |
| 2002/0178126 | A1 | 11/2002 | Beck et al. | 2010/0198142 | A1 | 8/2010 | Sloan et al. |
| 2002/0198473 | A1 | 12/2002 | Kumar et al. | 2010/0217723 | A1 | 8/2010 | Sauerwein, Jr. et al. |
| 2004/0155772 | A1 | 8/2004 | Merdema et al. | 2010/0219250 | A1 | 9/2010 | Wang |
| 2004/0204743 | A1 | 10/2004 | McGrath et al. | 2010/0234695 | A1 | 9/2010 | Morris |
| 2005/0010093 | A1 | 1/2005 | Ford et al. | 2010/0260061 | A1 | 10/2010 | Bojhra et al. |
| 2005/0185398 | A1 | 8/2005 | Scannell, Jr. | 2010/0279647 | A1 | 11/2010 | Jacobs et al. |
| 2005/0188853 | A1 | 9/2005 | Scannell, Jr. | 2010/0292556 | A1 | 11/2010 | Golden |
| 2005/0201300 | A1 | 9/2005 | Bridgelall | 2010/0317286 | A1 | 12/2010 | Jung et al. |
| 2005/0243988 | A1 | 11/2005 | Barclay et al. | 2010/0318578 | A1 | 12/2010 | Treu et al. |
| 2005/0288571 | A1 | 12/2005 | Perkins et al. | 2011/0021902 | A1 | 1/2011 | Kim et al. |
| 2006/0154642 | A1 | 7/2006 | Scannell, Jr. | 2011/0032822 | A1 | 2/2011 | Soomro |
| 2006/0238333 | A1 | 10/2006 | Welch et al. | 2011/0066555 | A1 | 3/2011 | Dicks et al. |
| 2007/0106126 | A1 | 5/2007 | Mannheimer | 2011/0078441 | A1 | 3/2011 | Dicks et al. |
| 2007/0156033 | A1 | 7/2007 | Causey, III et al. | 2011/0087756 | A1 | 4/2011 | Biondi et al. |
| 2007/0180140 | A1 | 8/2007 | Welch et al. | 2011/0093283 | A1 | 4/2011 | Dicks et al. |
| 2007/0186923 | A1 | 8/2007 | Poutiatine et al. | 2011/0093284 | A1 | 4/2011 | Dicks et al. |
| 2007/0216764 | A1 | 9/2007 | Kwak | 2011/0093285 | A1 | 4/2011 | Dicks et al. |
| 2007/0230197 | A1 | 10/2007 | Scannell, Jr. | 2011/0093286 | A1 | 4/2011 | Dicks et al. |
| 2007/0253380 | A1 | 11/2007 | Jollota et al. | 2011/0093287 | A1 | 4/2011 | Dicks et al. |
| 2007/0254593 | A1 | 11/2007 | Jollota et al. | 2011/0093297 | A1 | 4/2011 | Dicks et al. |
| 2007/0255125 | A1 | 11/2007 | Moberg et al. | 2011/0148624 | A1 | 6/2011 | Eaton et al. |
| 2007/0255250 | A1 | 11/2007 | Moberg et al. | 2011/0158430 | A1 | 6/2011 | Dicks et al. |
| 2007/0258395 | A1 | 11/2007 | Jollota et al. | 2011/0161111 | A1 | 6/2011 | Dicks et al. |
| 2007/0268687 | A1 | 11/2007 | Scannell, Jr. | 2011/0179405 | A1 | 7/2011 | Dicks et al. |
| 2007/0272670 | A1 | 11/2007 | Chen | 2011/0255454 | A1 | 10/2011 | Hauser et al. |
| 2007/0276270 | A1 | 11/2007 | Tran | 2011/0270045 | A1 | 11/2011 | Lebel et al. |
| 2008/0004907 | A1 | 1/2008 | Bayne | 2011/0273287 | A1 | 11/2011 | LaLonde et al. |
| 2008/0012761 | A1 | 1/2008 | Derrick et al. | 2011/0280224 | A1 | 11/2011 | Falck et al. |
| 2008/0071234 | A1 | 3/2008 | Kelch et al. | 2011/0282671 | A1 | 11/2011 | Dicks et al. |
| 2008/0072900 | A1* | 3/2008 | Kenyon et al. 128/204.18 | 2011/0292862 | A1 | 12/2011 | Shimizu |
| | | | | 2012/0004925 | A1 | 1/2012 | Braverman et al. |
| | | | | 2012/0034117 | A1 | 2/2012 | Pfouts et al. |
| | | | | 2012/0083735 | A1 | 4/2012 | Pfouts |
| | | | | 2012/0108917 | A1 | 5/2012 | Libbus et al. |

(56)

References Cited

U.S. PATENT DOCUMENTS

2012/0182143 A1 7/2012 Gaines et al.
 2012/0182894 A1 7/2012 Gaines et al.
 2012/0182924 A1 7/2012 Gaines et al.
 2012/0182927 A1 7/2012 Wiesner et al.
 2012/0184207 A1 7/2012 Gaines et al.
 2012/0184237 A1 7/2012 Gaines et al.
 2012/0185268 A1 7/2012 Wiesner et al.
 2012/0226768 A1 9/2012 Gaines et al.
 2012/0226771 A1 9/2012 Harrington et al.
 2012/0256751 A1 10/2012 Nallabelli et al.
 2012/0293323 A1 11/2012 Soomro
 2013/0015966 A1 1/2013 Soomro et al.
 2013/0021169 A1 1/2013 Soomro et al.
 2013/0022022 A1 1/2013 Schmitt
 2013/0066644 A1 3/2013 Dicks et al.
 2013/0071272 A1 3/2013 Juretich et al.
 2013/0147622 A1 6/2013 LaLonde et al.
 2013/0154851 A1 6/2013 Gaskill et al.
 2013/0162426 A1 6/2013 Wiesner et al.
 2013/0278414 A1 10/2013 Sprigg et al.
 2013/0310896 A1 11/2013 Mass
 2014/0009271 A1 1/2014 Collins et al.
 2014/0010691 A1* 1/2014 Lanigan et al. 417/477.2
 2014/0062718 A1 3/2014 LaLonde et al.

2014/0135731 A1* 5/2014 Breitweiser et al. 604/500
 2014/0142979 A1 5/2014 Mitsunga
 2014/0152466 A1 6/2014 Wiesner et al.

FOREIGN PATENT DOCUMENTS

CA 2644695 C 9/2010
 CN 101601040 A 12/2009
 EP 2227063 B1 9/2010
 JP 2003109160 A 4/2003
 JP 2006520657 A 9/2006
 JP 2007531442 A 11/2007
 JP 2008108170 A 5/2008
 JP 2009535715 A 1/2009
 JP 2010524050 A 7/2010
 JP 2011502369 A 1/2011
 WO 2003048919 A1 6/2003
 WO 2004070994 A2 8/2004
 WO 2004084720 A2 10/2004
 WO 2005057294 A1 6/2005
 WO 2005057834 A2 6/2005
 WO 2005098736 A2 10/2005
 WO 2007124091 A1 11/2007
 WO 2007127879 A2 11/2007
 WO 2008052034 A1 5/2008
 WO 2008097316 A1 8/2008
 WO 2009032134 A2 3/2009
 WO 2009063303 A1 5/2009

* cited by examiner

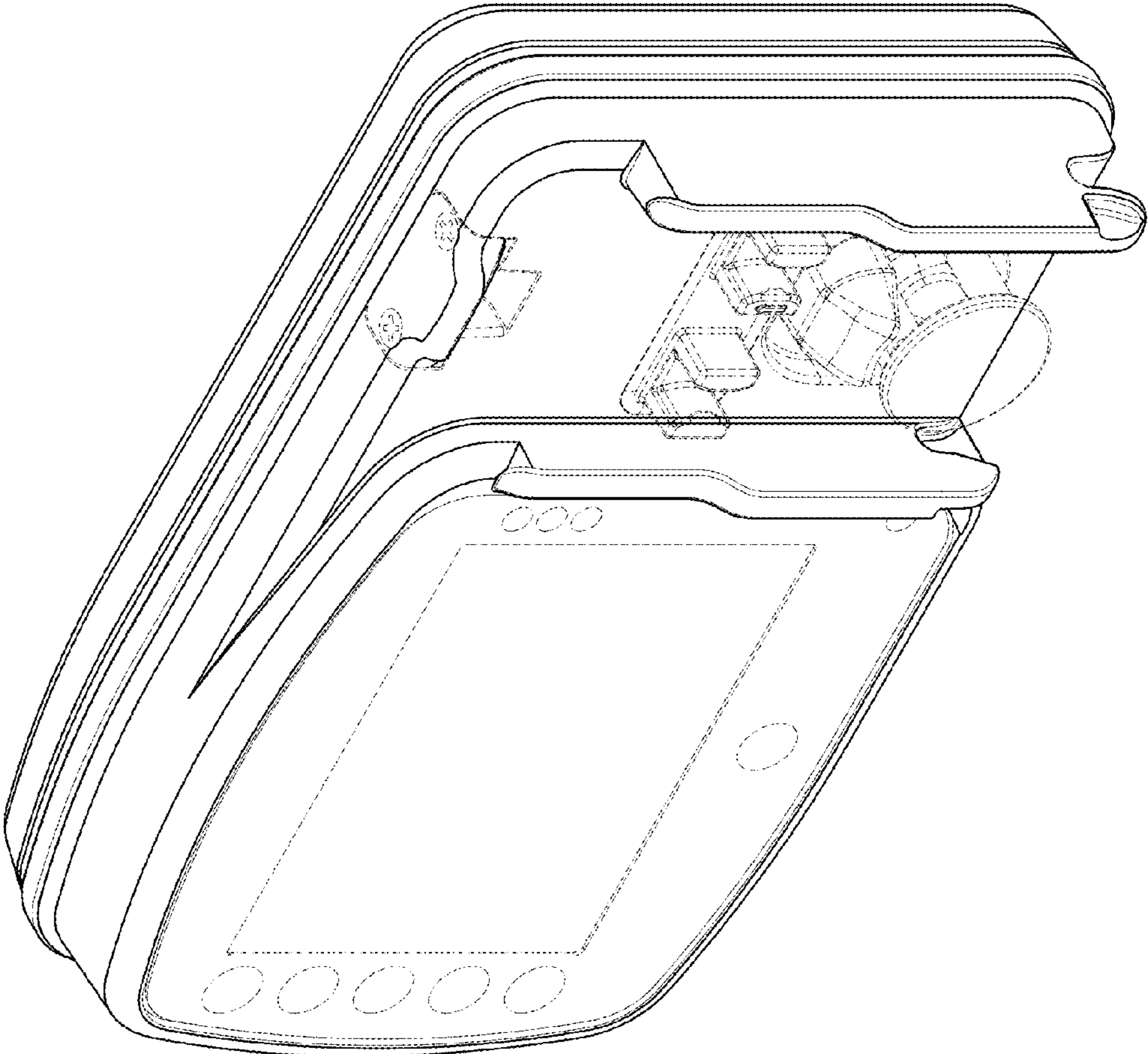


FIG. 1

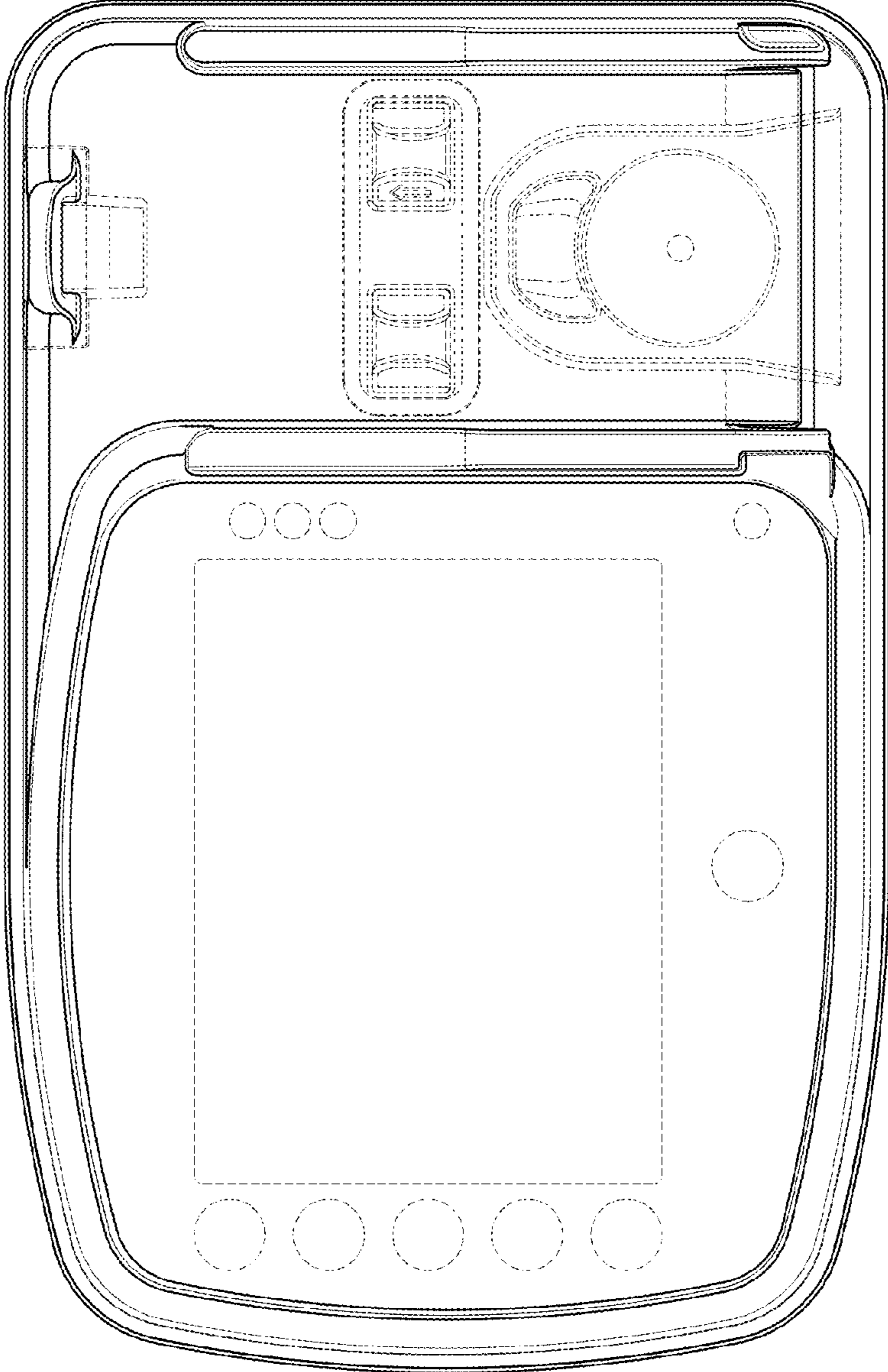
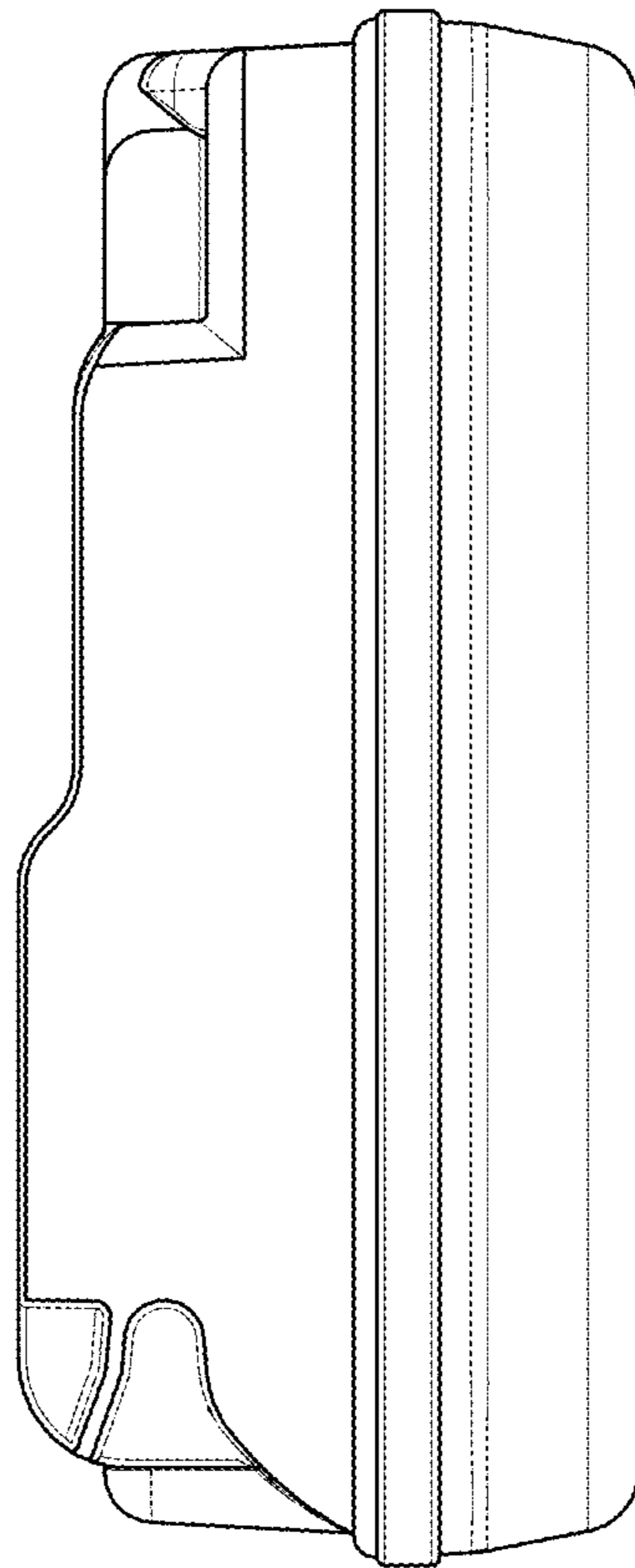


FIG. 2

FIG. 3



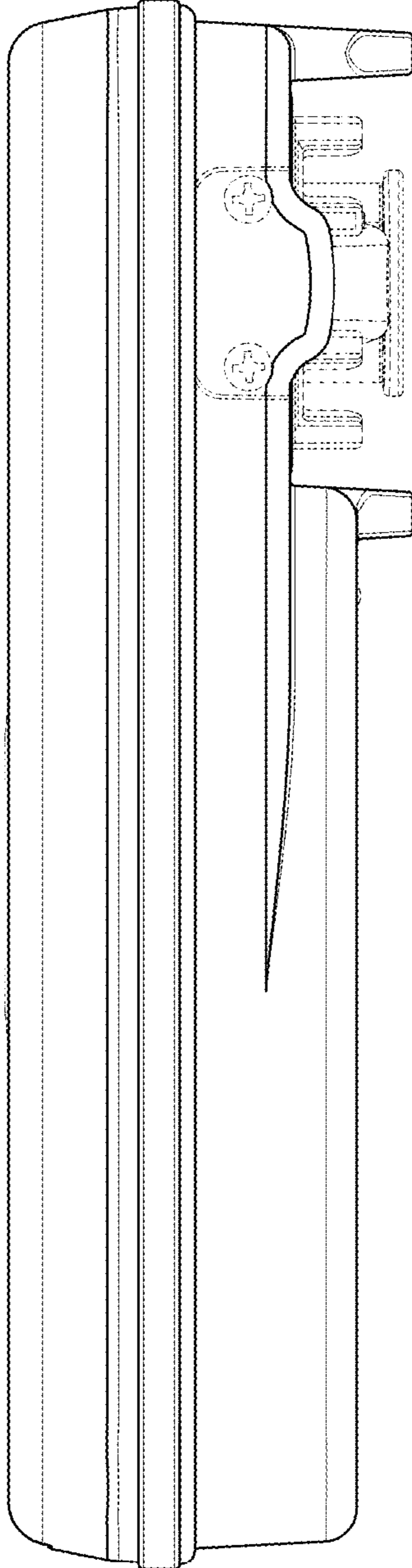


FIG. 4

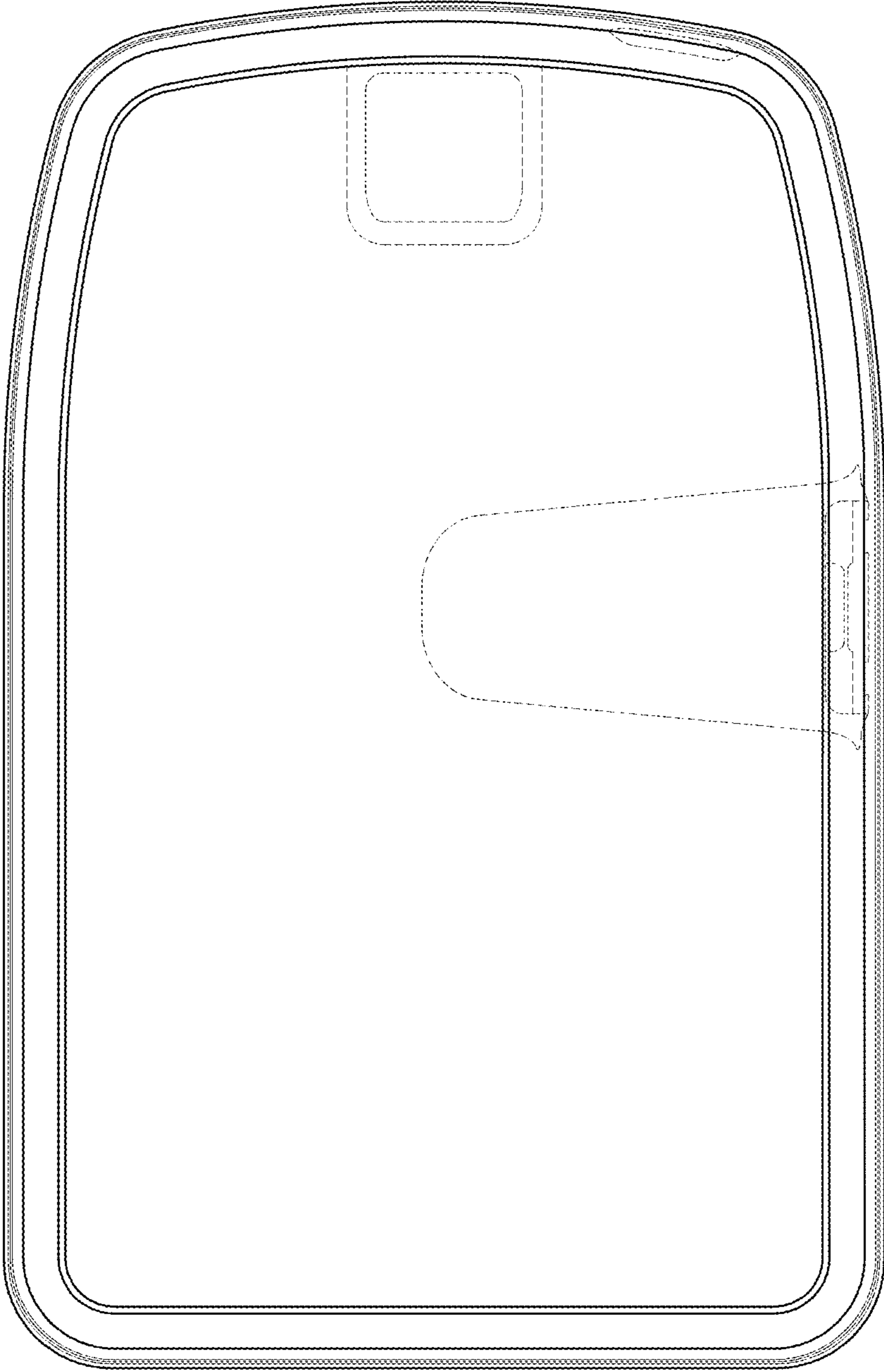


FIG. 5

FIG. 6

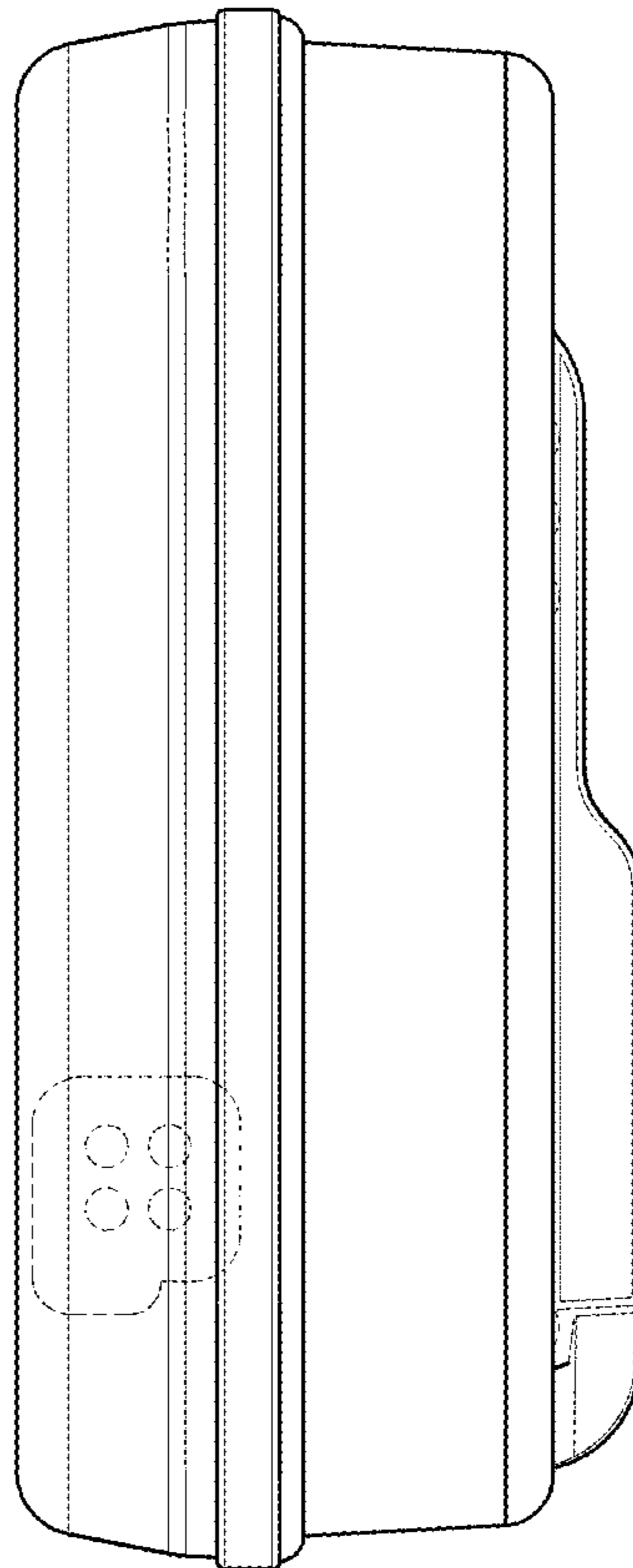


FIG. 7

