



US00D746440S

(12) **United States Design Patent**  
**Jovanovic**

(10) **Patent No.:** **US D746,440 S**

(45) **Date of Patent:** **\*\* Dec. 29, 2015**

(54) **ENCAPSULATED VALVE FOR A MEDICAL INTEGRATED VALVE**

(71) Applicant: **African Oxygen Limited**, Johannesburg, Gauteng (ZA)

(72) Inventor: **Radoslav Jovanovic**, Bryanston (ZA)

(73) Assignee: **African Oxygen Limited**, Johannesburg, Gauteng (ZA)

(\*\*) Term: **14 Years**

(21) Appl. No.: **29/483,860**

(22) Filed: **Mar. 4, 2014**

(30) **Foreign Application Priority Data**

Sep. 4, 2013 (ZA) ..... A2013/01627

(51) **LOC (10) Cl.** ..... **29-02**

(52) **U.S. Cl.**  
USPC ..... **D24/110.6**

(58) **Field of Classification Search**  
USPC ..... D24/110, 110.1–110.6, 129  
CPC ... A61M 16/208; A61M 16/06; A61M 16/20;  
A61M 2202/0208

See application file for complete search history.

(56) **References Cited**

**U.S. PATENT DOCUMENTS**

2,530,536	A *	11/1950	Oldham et al.	137/510
3,036,584	A *	5/1962	Lee	137/102
3,276,462	A *	10/1966	Matchett	137/505.12
4,493,339	A *	1/1985	Porter, Jr.	137/510
D305,814	S *	1/1990	Fangrow, Jr.	D24/110.6
D409,745	S *	5/1999	Niemczyk	D24/110.6
6,116,242	A *	9/2000	Frye et al.	128/205.24
6,427,690	B1 *	8/2002	McCombs et al.	128/204.26

2001/0015419	A1 *	8/2001	Yagi et al.	251/151
2005/0045231	A1 *	3/2005	Hannah et al.	137/553
2008/0110925	A1 *	5/2008	Hagstrom et al.	222/3
2009/0188571	A1 *	7/2009	Basler	137/505
2009/0194728	A1 *	8/2009	Pickett et al.	251/335.3
2010/0030164	A1 *	2/2010	Kimball et al.	604/256
2011/0048423	A1 *	3/2011	Leffel	128/205.24
2011/0168180	A1 *	7/2011	Lugtigheid	128/205.14
2014/0053842	A1 *	2/2014	Yang et al.	128/205.24
2015/0041001	A1 *	2/2015	Li et al.	137/557

**FOREIGN PATENT DOCUMENTS**

WO WO 2015008257 A2 \* 1/2015 ..... G05D 16/10

\* cited by examiner

*Primary Examiner* — Deanna L Pratt

*Assistant Examiner* — Lilyana Bekic

(74) *Attorney, Agent, or Firm* — Myers Bigel Sibley & Sajovec, P.A.

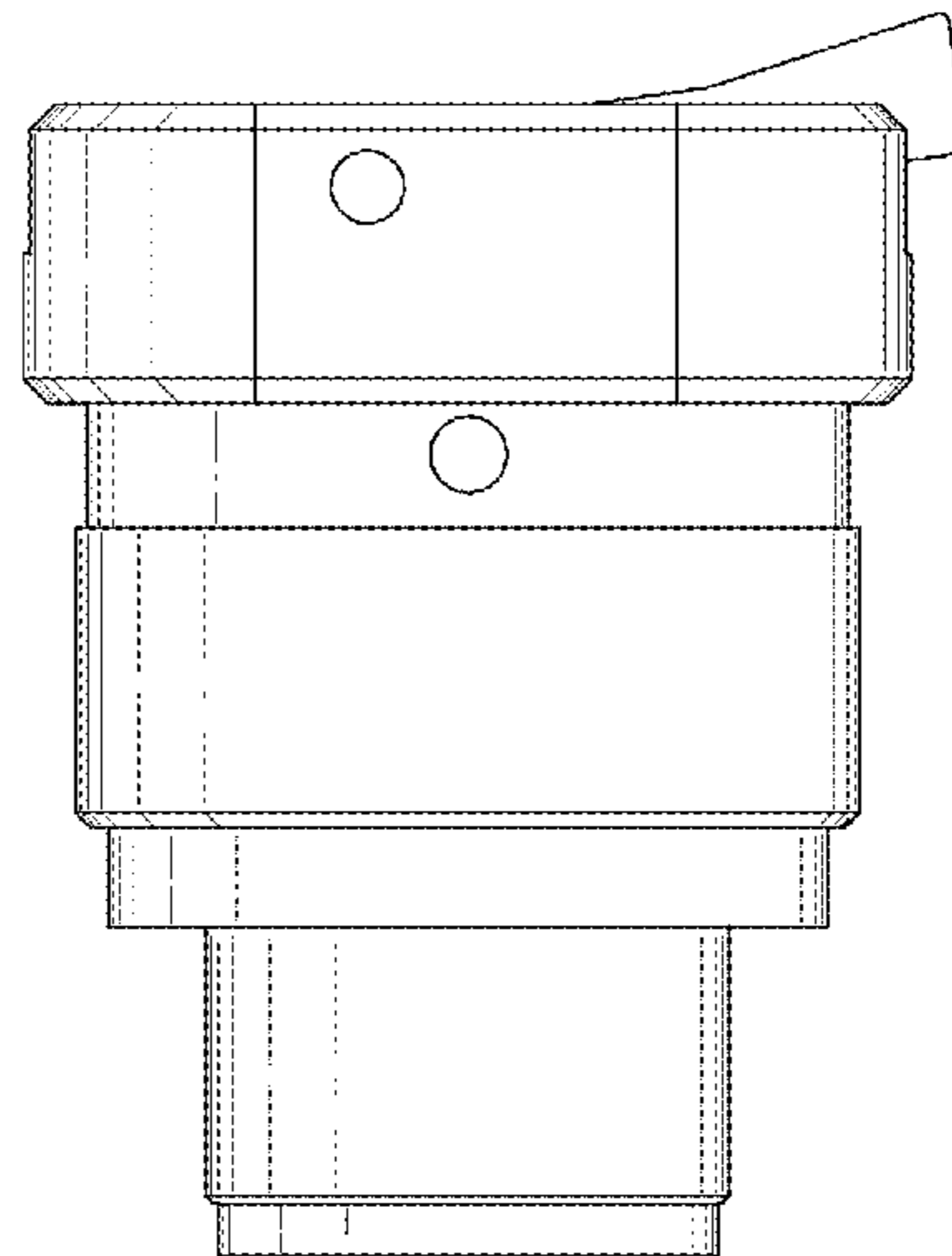
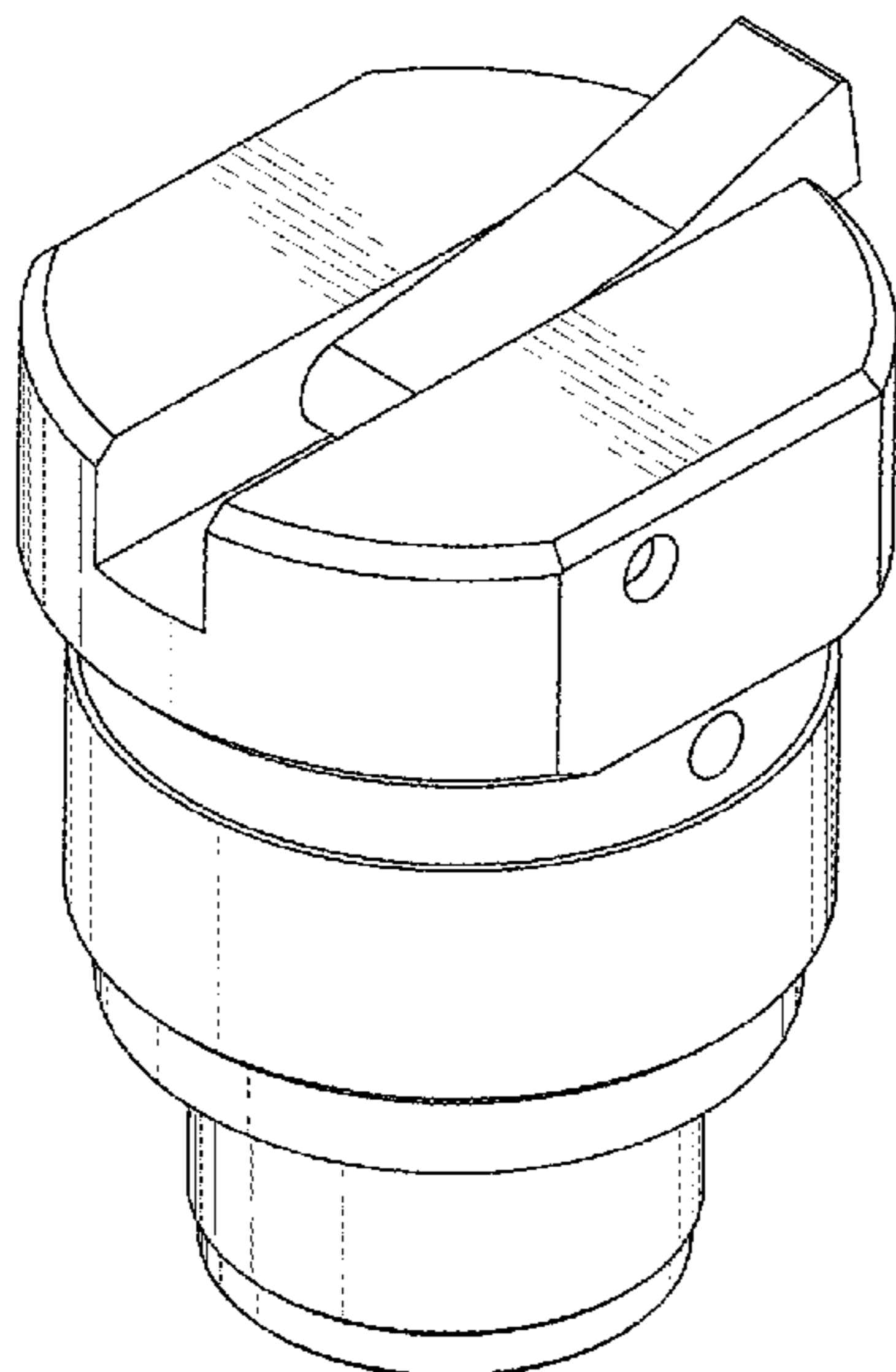
(57) **CLAIM**

The ornamental design for an encapsulated valve for a medical integrated valve, as shown in the drawings.

**DESCRIPTION**

FIG. 1 is a perspective view of the encapsulated valve for a medical integrated valve incorporating my design;  
 FIG. 2 is a side view of the encapsulated valve for a medical integrated valve of FIG. 1;  
 FIG. 3 is an opposite side view of the encapsulated valve for a medical integrated valve of FIG. 1;  
 FIG. 4 is an end view of the encapsulated valve for a medical integrated valve of FIG. 1;  
 FIG. 5 is an opposite end view of the encapsulated valve for a medical integrated valve of FIG. 1; and,  
 FIG. 6 is a top view of the encapsulated valve for a medical integrated valve of FIG. 1.

**1 Claim, 4 Drawing Sheets**



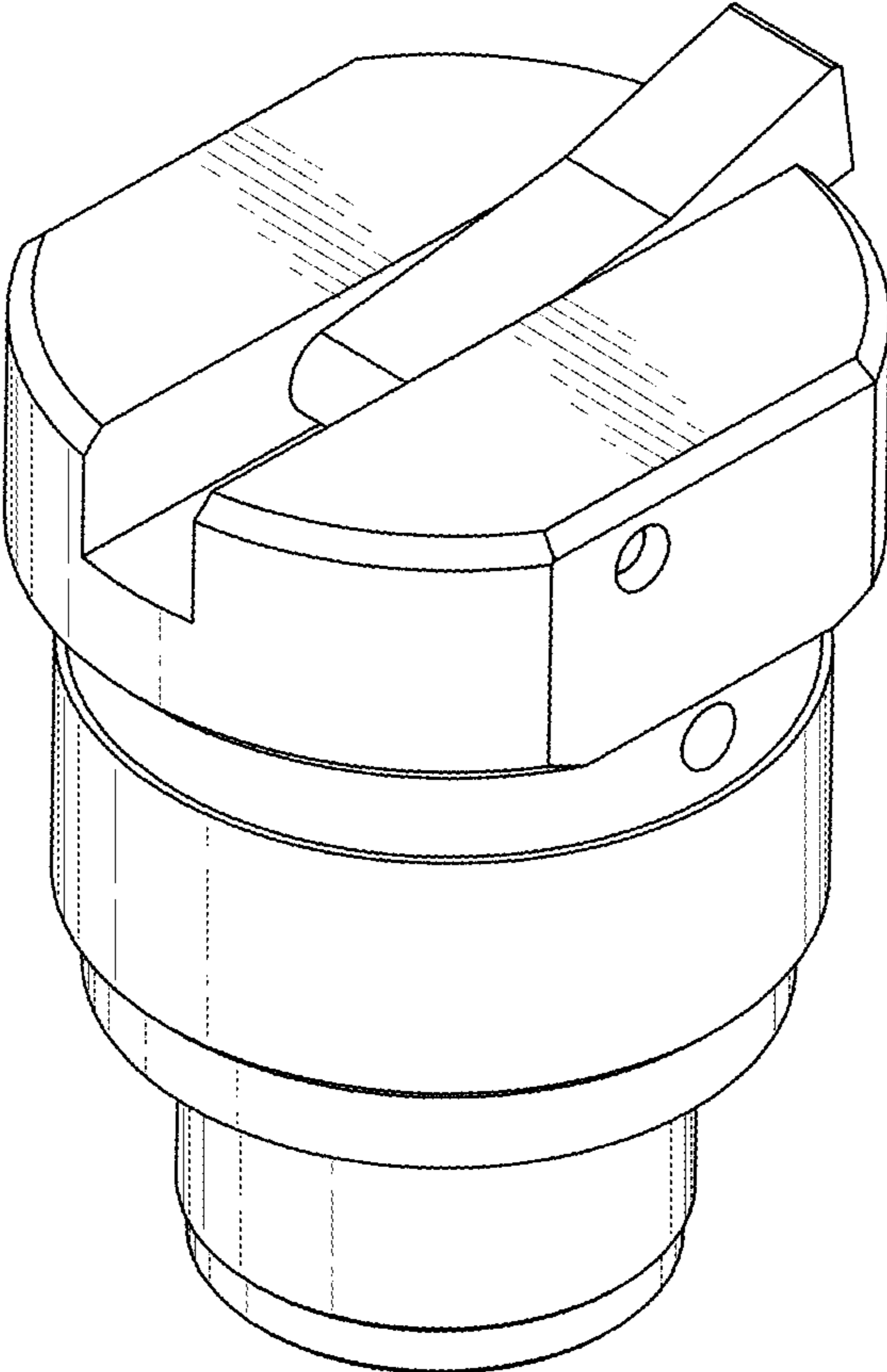


Figure 1

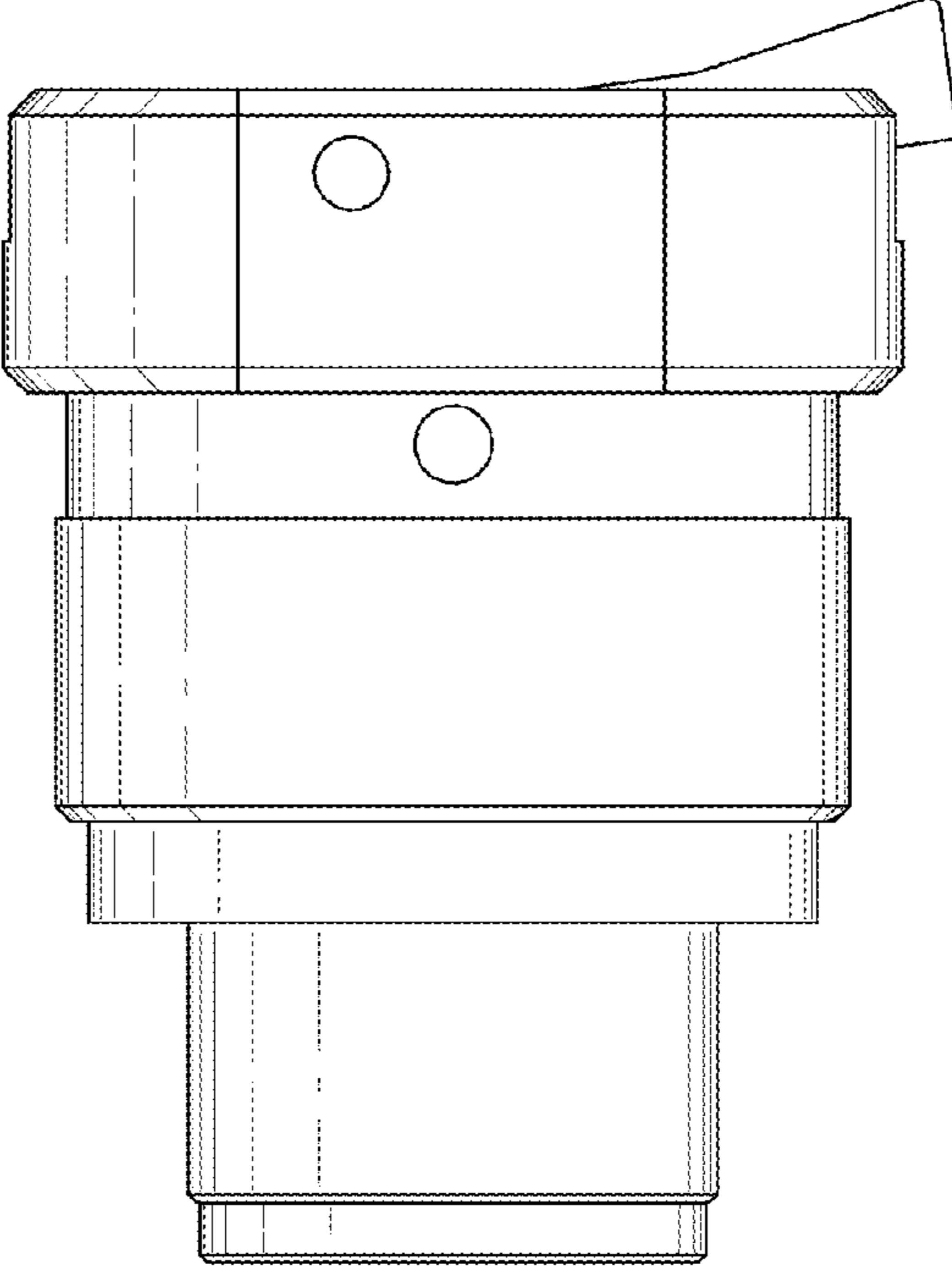


Figure 2

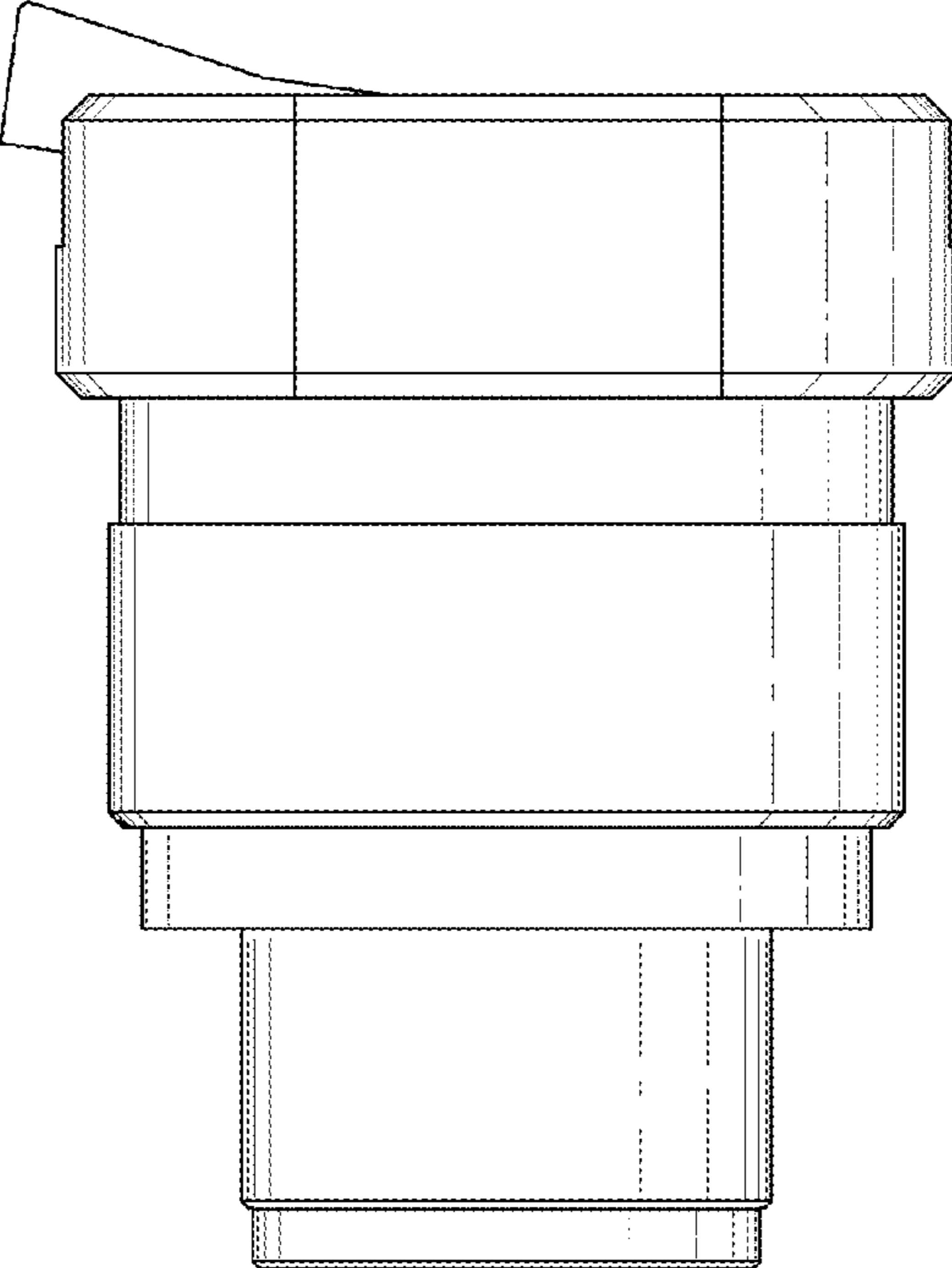


Figure 3

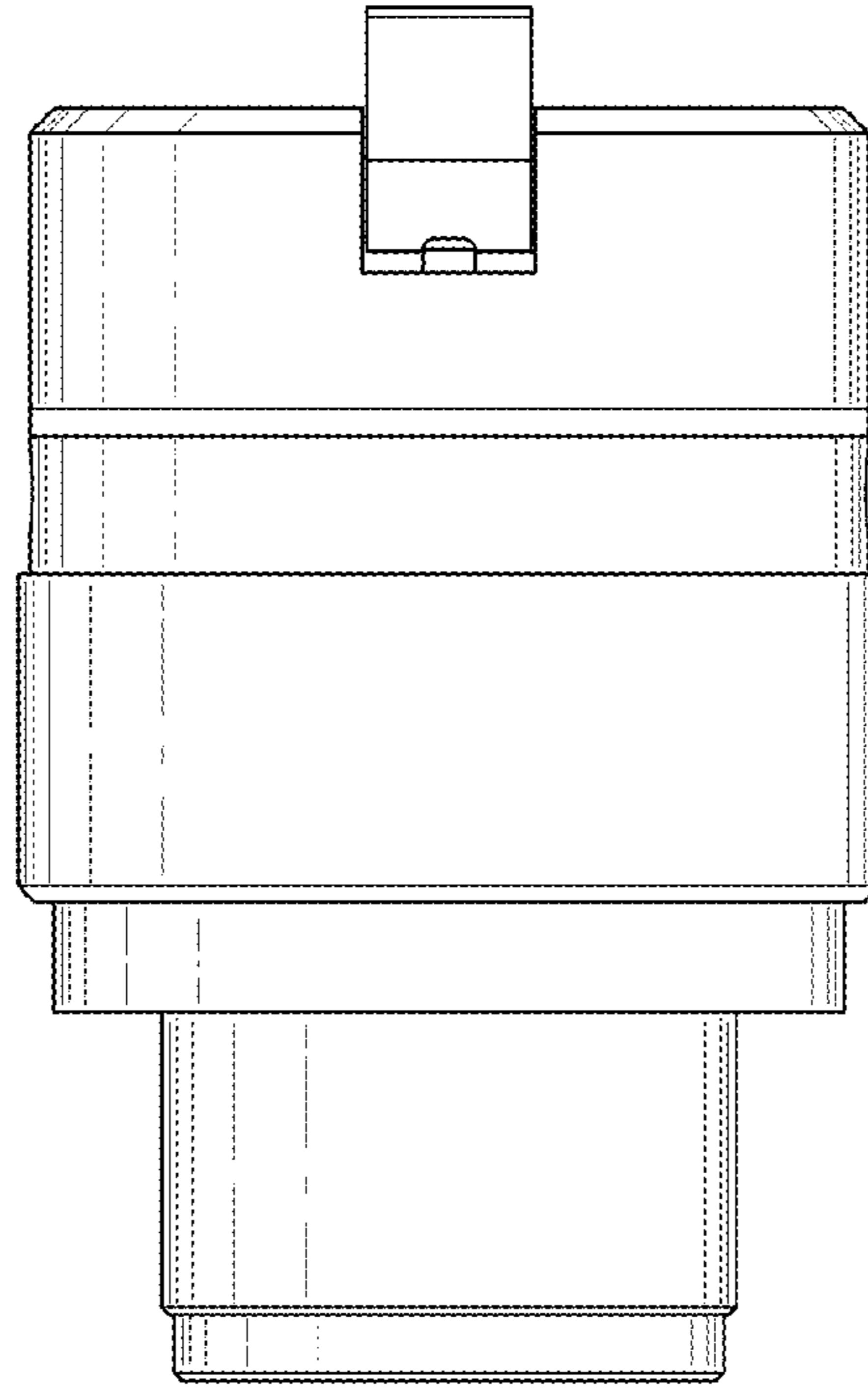


Figure 4

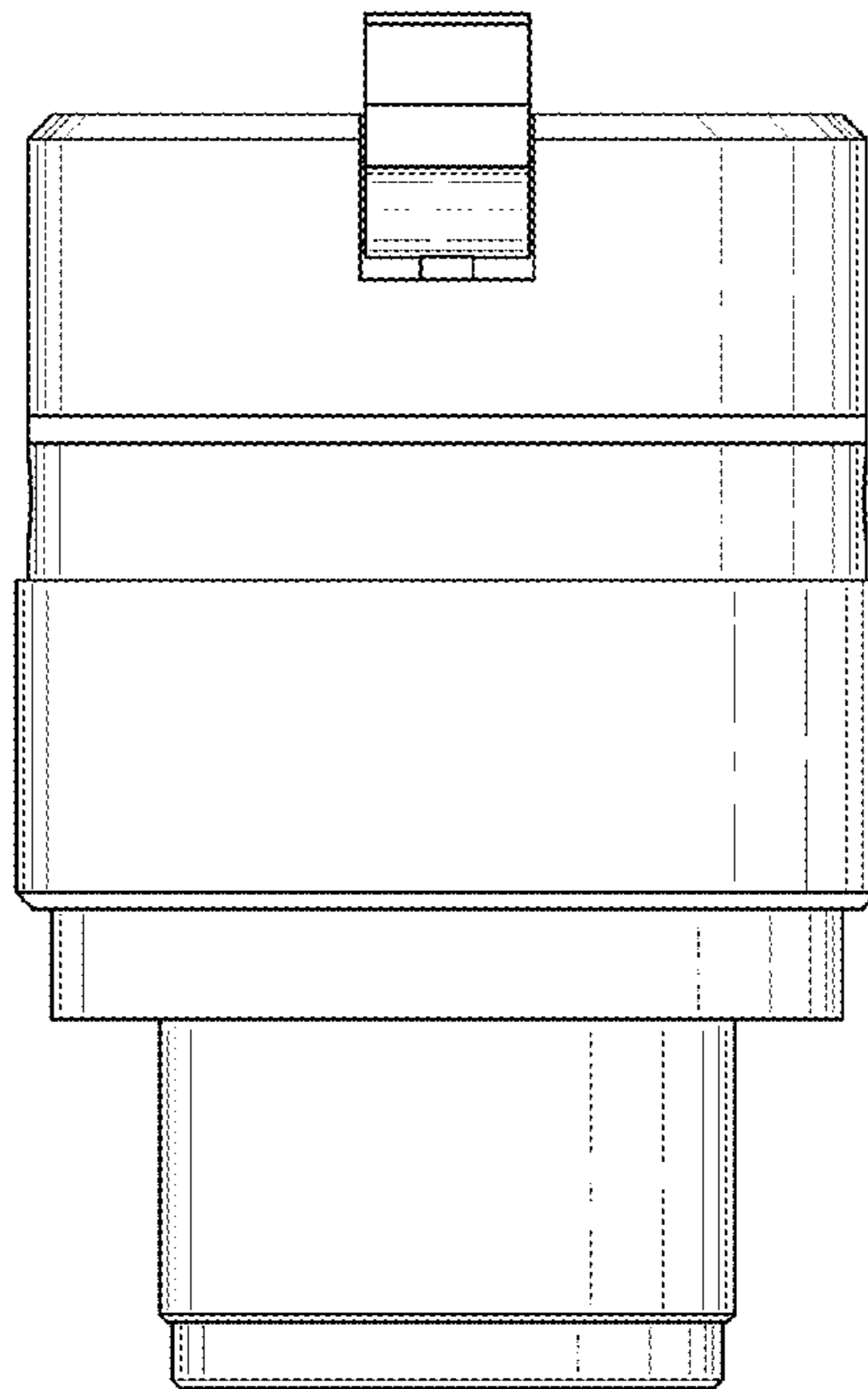


Figure 5

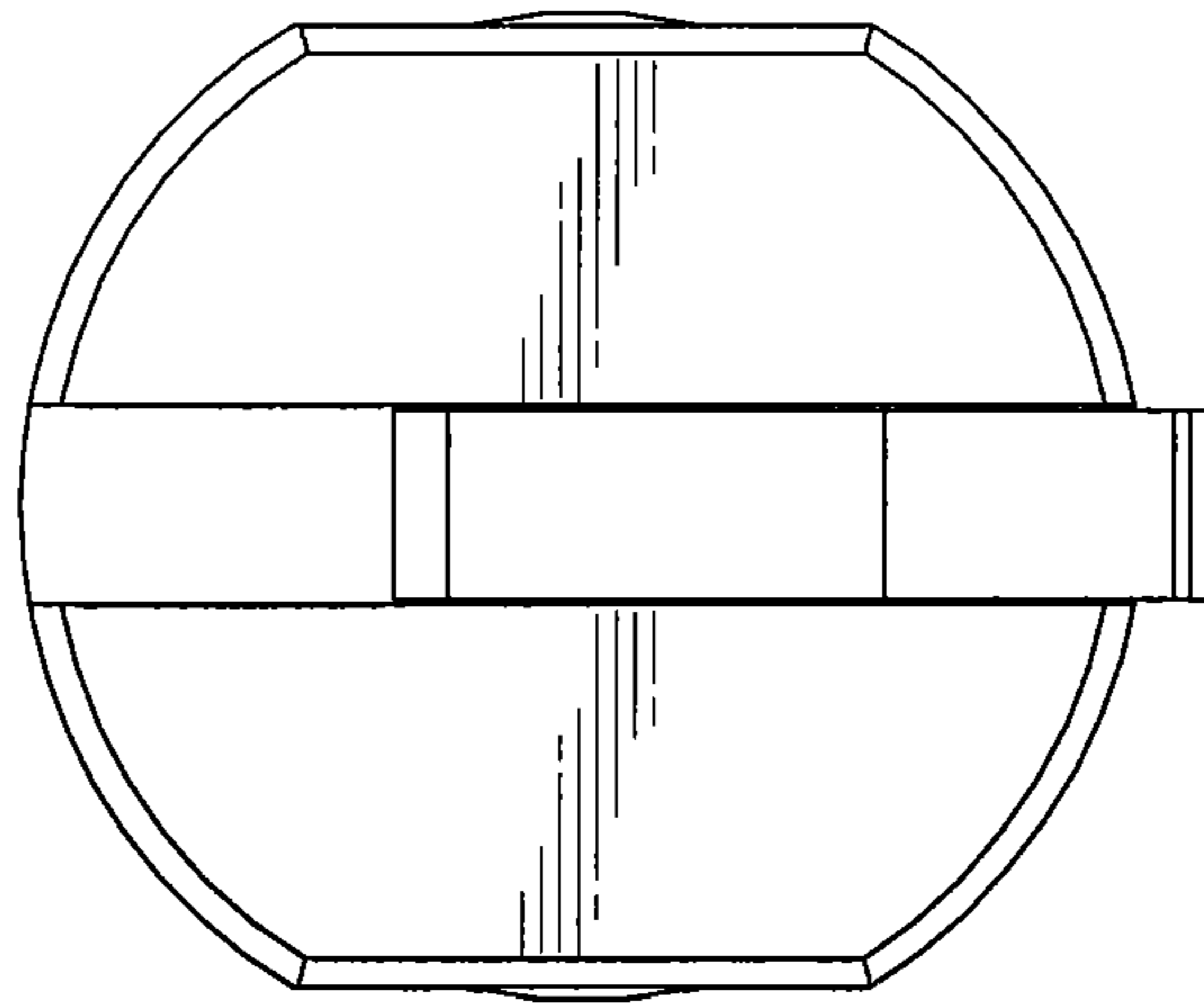


Figure 6