

US00D746437S

(12) **United States Design Patent**
Blomberg et al.

(10) **Patent No.:** **US D746,437 S**

(45) **Date of Patent:** **** Dec. 29, 2015**

- (54) **RESPIRATOR MASK HAVING A COMMUNICATION GRILLE**
- (71) Applicant: **3M INNOVATIVE PROPERTIES COMPANY**, St. Paul, MN (US)
- (72) Inventors: **David M. Blomberg**, Lino Lakes, MN (US); **Gary E. Dwyer**, Mallorytown (CA); **Carl W. Raines, III**, Woodbury, MN (US); **Mark W. Schulz**, Minneapolis, MN (US)
- (73) Assignee: **3M Innovative Properties Company**, St. Paul, MN (US)
- (**) Term: **14 Years**
- (21) Appl. No.: **29/491,540**
- (22) Filed: **May 22, 2014**
- (51) **LOC (10) Cl.** **29-02**
- (52) **U.S. Cl.**
USPC **D24/110.1**
- (58) **Field of Classification Search**
USPC D24/110.1-110.4, 110.6, 162;
D29/105, 107, 108, 110; D14/137,
D14/160, 163, 169, 170, 188, 194;
D23/332, 335, 355, 356, 412
CPC A62B 18/00; A62B 18/02; A62B 18/025;
A62B 18/08; A62B 18/10; A41D 13/11
See application file for complete search history.

- 2,640,481 A * 6/1953 Conley 128/206.15
- 2,738,788 A * 3/1956 Matheson et al. 128/201.19
- 2,787,333 A 4/1957 Boone
- 2,874,693 A 2/1959 Matheson
- 3,750,665 A * 8/1973 Stranicky 128/206.12

(Continued)

FOREIGN PATENT DOCUMENTS

- CA 82141 10/1997
- CA 106801 12/2005

(Continued)

OTHER PUBLICATIONS

Koken Particulate Respirators webpage, <http://www.koken-ltd.co.jp/english/particulaterespirators.htm>, obtained from internet on Jun. 3, 2013.

(Continued)

Primary Examiner — Deanna L Pratt
Assistant Examiner — Lilyana Bekic
(74) *Attorney, Agent, or Firm* — Peter L. Olson

(57) **CLAIM**

The ornamental design for a respirator mask having a communication grille, as shown and described.

DESCRIPTION

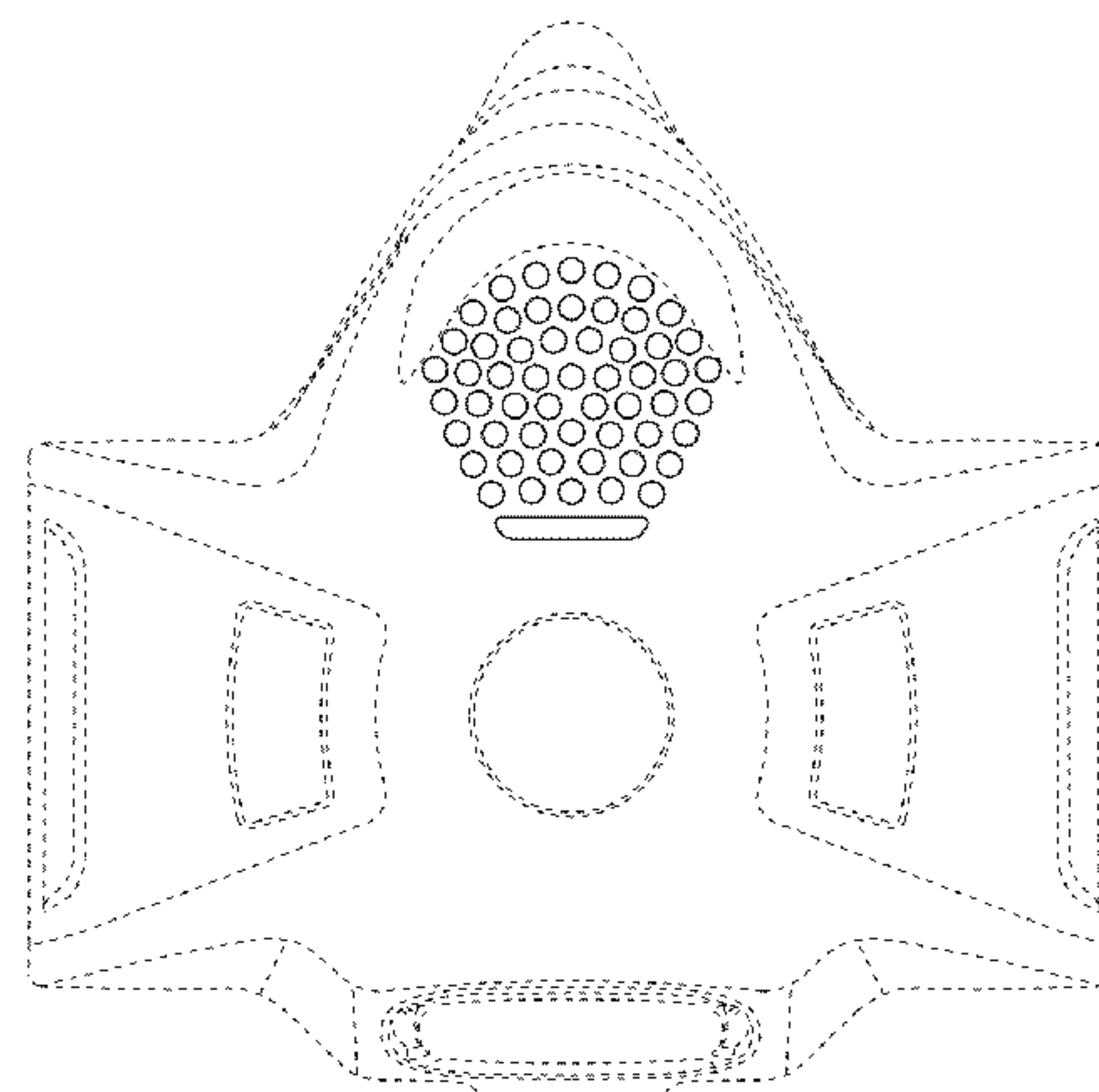
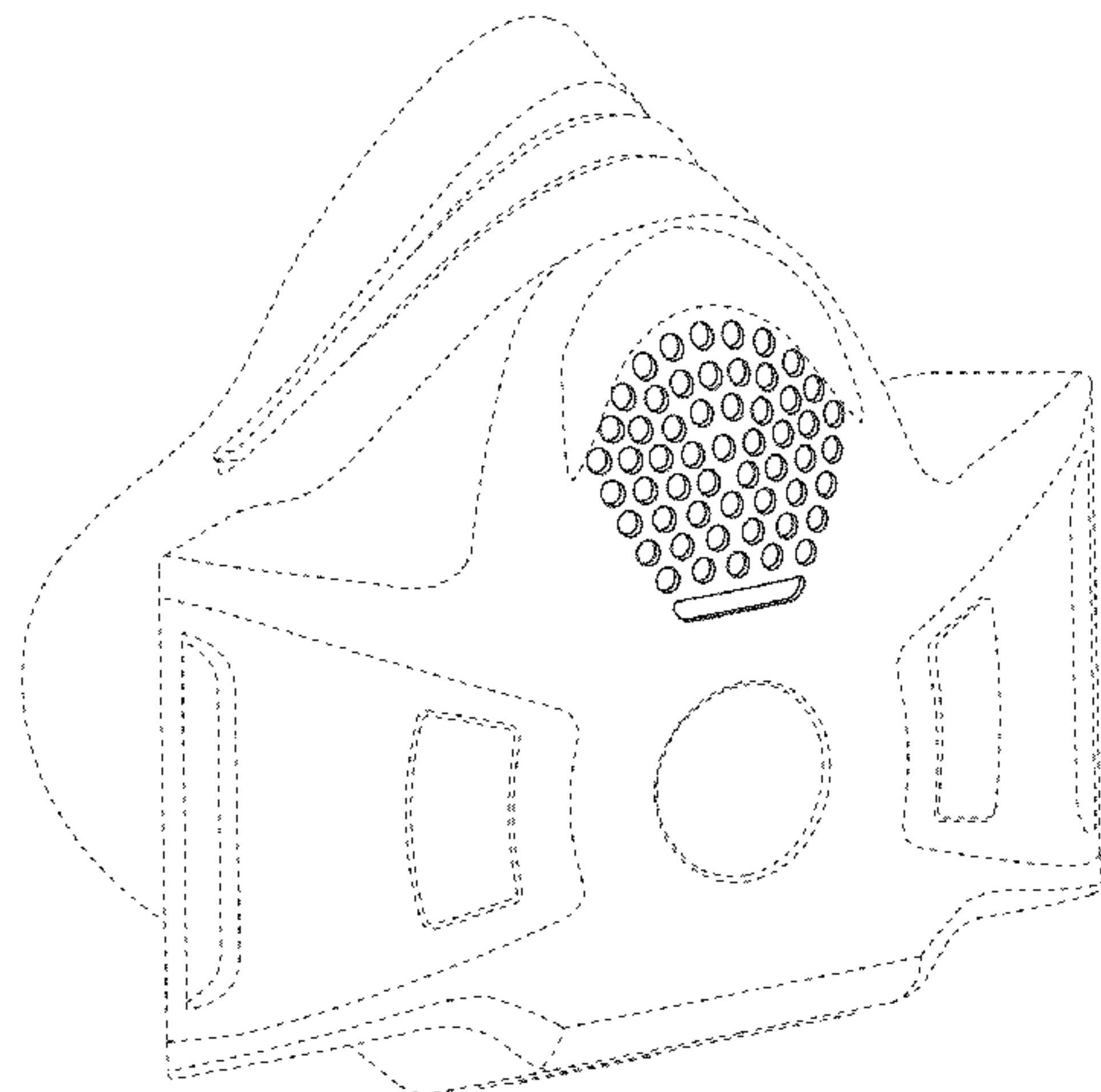
FIG. 1 is a perspective view showing the new design for a respirator mask having a communication grille.
FIG. 2 is a front view thereof;
FIG. 3 is a rear view thereof;
FIG. 4 is a right side view thereof, the left side being a mirror image thereof;
FIG. 5 is a top view thereof; and,
FIG. 6 is a bottom view thereof.
The broken lines in the drawings illustrate portions of the respirator mask having a communication grille which form no part of the claimed design.

1 Claim, 3 Drawing Sheets

(56) **References Cited**

U.S. PATENT DOCUMENTS

- 2,055,853 A 9/1936 Schwartz
- 2,062,834 A 12/1936 Schwartz
- D113,271 S * 2/1939 Lewis D24/110.1
- 2,235,624 A 3/1941 Schwartz
- D131,556 S * 3/1942 Karabin D24/110.2
- 2,326,650 A * 8/1943 Husted 128/201.19
- 2,435,721 A * 2/1948 Lehmann 128/206.17



(56)

References Cited

U.S. PATENT DOCUMENTS

4,090,510 A * 5/1978 Segersten 128/206.12
 4,562,837 A 1/1986 Schlobohm
 4,573,464 A * 3/1986 Yo 128/206.15
 D286,213 S 10/1986 Maryyanek
 4,736,740 A * 4/1988 Parker et al. 128/201.19
 4,915,099 A * 4/1990 Davis 128/201.19
 4,921,512 A 5/1990 Maryyanek
 4,932,399 A 6/1990 Cappa
 4,941,467 A * 7/1990 Takata 128/203.12
 D317,063 S * 5/1991 Johnson D29/110
 5,062,421 A 11/1991 Burns
 5,086,768 A 2/1992 Niemeyer
 5,148,803 A 9/1992 Schlobohm
 D336,546 S * 6/1993 Lybrand D24/110.2
 D339,658 S 9/1993 Lahteenmaki
 D340,317 S * 10/1993 Cole D24/110.1
 RE35,062 E 10/1995 Brostrom
 5,515,846 A 5/1996 Drews
 5,579,761 A 12/1996 Yuschak
 5,611,925 A 3/1997 Yasue
 5,647,356 A 7/1997 Osendorf
 5,666,949 A 9/1997 Debe
 5,669,375 A 9/1997 Dahrendorf
 D440,302 S * 4/2001 Wolfe D24/110.1
 6,216,693 B1 4/2001 Rekow
 6,298,849 B1 10/2001 Scholey
 D466,205 S * 11/2002 Garcia D23/366
 6,550,479 B1 4/2003 Duxbury
 6,575,165 B1 6/2003 Cook
 6,584,975 B1 * 7/2003 Taylor 128/206.11
 6,761,169 B2 7/2004 Eswarappa
 6,793,702 B2 9/2004 Eswarappa
 D518,571 S 4/2006 Martin
 D526,092 S * 8/2006 Egger et al. D29/107
 D529,234 S * 9/2006 Broersma D29/108
 D555,837 S * 11/2007 Chen D29/110
 D564,135 S * 3/2008 Cherry et al. D29/108
 D569,502 S * 5/2008 Abel et al. D24/110.6
 D570,551 S * 6/2008 Broersma D29/108
 D570,552 S * 6/2008 Broersma D29/110
 7,404,401 B1 * 7/2008 Brady 128/206.17
 7,419,526 B2 9/2008 Greer
 D586,050 S * 2/2009 Chen D29/110
 D602,154 S * 10/2009 Ono et al. D24/110.2
 7,827,990 B1 11/2010 Melidis
 D678,508 S 3/2013 Choi
 D683,446 S 5/2013 Eves
 8,839,788 B2 * 9/2014 Betz et al. 128/206.19
 2001/0013347 A1 8/2001 Rekow
 2002/0195109 A1 12/2002 Mittelstadt
 2003/0217752 A1 11/2003 Muller
 2004/0003810 A1 1/2004 Templeton
 2005/0126572 A1 6/2005 Gosweiler
 2012/0000465 A1 1/2012 Cavaliere
 2012/0024289 A1 2/2012 Johnstone
 2012/0174922 A1 7/2012 Virr

FOREIGN PATENT DOCUMENTS

CN 3342471 12/2003
 CN 3457902 6/2005
 CN 3674586 7/2007
 CN 300757753 3/2008
 CN 300801845 7/2008
 CN 301345091 9/2010
 CN 301787238 1/2012
 CN 301841897 2/2012
 CN 301863214 3/2012
 CN 302193139 11/2012
 CN 302193145 11/2012
 CN 302386273 4/2013
 CN 302571626 9/2013
 CN 302675143 12/2013
 CN 302754689 3/2014

DE M9107635-0001 6/1992
 EM 000096961-0001 2/2004
 EM 001233373-0002 10/2010
 EM 001233373-0003 10/2010
 EM 001871401-0001 8/2011
 EM 001871401-0003 8/2011
 EM 001871401-0004 8/2011
 EM 001871401-0005 8/2011
 EM 001352645-0001 12/2012
 EM 001352645-0002 12/2012
 EM 001355259-0001 1/2013
 EM 001355259-0002 1/2013
 EM 001378673-0001 8/2013
 EM 001401335-0001 1/2014
 EM 001401335-0002 1/2014
 EM 001401335-0003 1/2014
 EM 001401335-0004 1/2014
 EM 001401335-0005 1/2014
 EM 001401335-0006 1/2014
 EM 001405609-0001 3/2014
 EM 001405609-0002 3/2014
 EM 001405609-0003 3/2014
 EM 001405609-0004 3/2014
 FR 916655-001 12/1991
 FR 972590-001 9/1997
 GB 2078022 2/1999
 GB 2490507 11/2012
 JP D1253605 10/2005
 JP D1334600 6/2008
 JP D1423131 9/2011
 JP D1424448 10/2011
 JP D1433068 2/2012
 JP D1489843 2/2014
 KR 300365183.0000 10/2004
 KR 300387985.0000 7/2005
 KR 300402015.0000 12/2005
 KR 10-0773460 11/2007
 KR 300484303.0000 3/2008
 KR 300497704.0000 7/2008
 KR 300505691.0000 9/2008
 KR 300514863.0000 12/2008
 KR 300516185.0000 1/2009
 KR 300526158.0000 4/2009
 KR 300542031.0000 10/2009
 KR 300563142.0000 6/2010
 KR 300649412.0000 6/2012
 KR 300649413.0000 6/2012
 KR 300662871.0000 10/2012
 KR 300683043.0000 3/2013
 KR 300683052.0000 3/2013
 KR 300683069.0000 3/2013
 KR 300684091.0000 3/2013
 KR 300726258.0000 1/2014
 KR 300726303.0000 1/2014
 RU 00063184 6/2007
 WO 03/090873 11/2003
 WO 2004/071565 8/2004
 WO 2008/082415 7/2008

OTHER PUBLICATIONS

3M™ Cool Flow™ Valve information obtained from the internet on Mar. 18, 2014: http://solutions.3m.com/wps/portal/3M/en_EU/PPE_SafetySolutions_EU/Safety/FeaturedProducts/CoolFlowValve/.
 3M™ FF400 Respirator information obtained from the internet on Mar. 17, 2014: http://solutions.3m.com/wps/portal/3M/en_US/3M-PPE-Safety-Solutions/Personal-Protective-Equipment/safety-products/Ultimate-FX/.
 3M™ Maintenance Free Half Mask Respirators 4000 Series information obtained from the internet on Mar. 18, 2014: http://solutions.3m.com/wps/portal/3M/en_EU/PPE_SafetySolutions_EU/Safety/Product_Catalogue/?N=5548558+3294361848+3294857473&rt=rud.
 3M™ 6000 Respirator information obtained from the internet on Mar. 18, 2014: http://solutions.3m.com/wps/portal/3M/en_US/GlobalMining/Home/Products/WorkerSafety/?PC_Z7_

(56)

References Cited

OTHER PUBLICATIONS

RJH9U5230GM530IQDGUMOE3O51000000_nid=2TX60V5VQPbeKXCTK5DQ71gl.

3M™ Half Facepiece 7500 Series Ultimate Reusable Respirator information obtained from the internet on Mar. 18, 2014: http://solutions.3m.com/wps/porta1/3M/en_US/ElectricalUtility/Home/Products/Catalog/~?N=5551730&rt=c3.

3M™ Full Facepiece Reusable Respirator 6800 information obtained from the internet on Mar. 18, 2014: [http://solutions.3m.com/wps/portal/3M/en_US/3M-PPE-Safety-Solutions/Personal-Protective-Equipment/Products/Product-Catalog/?N=4294930437+5011378&Nr=AND\(hrcy_id%3AGST29W6QVWgs_TC2BMJQKFQ_N2RL3FHWVK_GPD0K8BC31gv\)&rt=d](http://solutions.3m.com/wps/portal/3M/en_US/3M-PPE-Safety-Solutions/Personal-Protective-Equipment/Products/Product-Catalog/?N=4294930437+5011378&Nr=AND(hrcy_id%3AGST29W6QVWgs_TC2BMJQKFQ_N2RL3FHWVK_GPD0K8BC31gv)&rt=d).

Koken Model 1091D Respirator information obtained from the internet on Mar. 17, 2014: <http://www.koken-ltd.co.jp/english/particulaterespirators.htm>.

MSA Ultra Elite® Full-Facepiece Respirator information obtained from the internet on Mar. 18, 2014: [http://us.msasafety.com/Air-Purifying-Respirators-\(APR\)/Full-Face-Masks/Ultra-Elite%26reg%3B-Full-Facepiece-Respirators/p/000050000500001084](http://us.msasafety.com/Air-Purifying-Respirators-(APR)/Full-Face-Masks/Ultra-Elite%26reg%3B-Full-Facepiece-Respirators/p/000050000500001084).

MSA Advantage® 420 Half-Mask Respirator information obtained from the internet on Mar. 18, 2014: [http://us.msasafety.com/Air-Purifying-Respirators-\(APR\)/Half-Masks/Advantage%26reg%3B-420-Half-Mask-respirator/p/000100000200001150](http://us.msasafety.com/Air-Purifying-Respirators-(APR)/Half-Masks/Advantage%26reg%3B-420-Half-Mask-respirator/p/000100000200001150).

North® by Honeywell 7700 Series Silicone Half Mask Respirator information obtained from the internet on Mar. 18, 2014: <http://www.northensafety.com/Product/7700/North-by-Honeywell-7700-Series-Silicone-Half-Mask-Respirator>.

Scott AV-3000 Facepiece information obtained from the internet on Mar. 18, 2014: <https://www.scottsafety.com/en/us/pages/ProductDetail.aspx?ProductDetail=AV-3000%20Facepiece>.

Scott Excel™ Half-Facepiece information obtained from the internet on Mar. 18, 2014: https://www.scottsafety.com/en/us/DocumentandMedia1/xcelbro_6301_0201.pdf.

Shigematsu Gas Respirators information, pp. 11-16, obtained from Shigematsu's website on Mar. 17, 2014: http://www.sts-japan.com/english/product_catalog.html.

Survivair Blue 1 respirator information obtained from the internet on Mar. 17, 2014, [http://www.honeywellsafety.com/Products/Respiratory_Protection/Survivair_Blue_1_\(NIOSH\).aspx?site=/usa](http://www.honeywellsafety.com/Products/Respiratory_Protection/Survivair_Blue_1_(NIOSH).aspx?site=/usa).

Survivair/Willson Premier Plus Respirator information obtained from the internet on Mar. 18, 2014: <http://store.parkersafetyinc.com/servlet/Detail?no=75>.

* cited by examiner

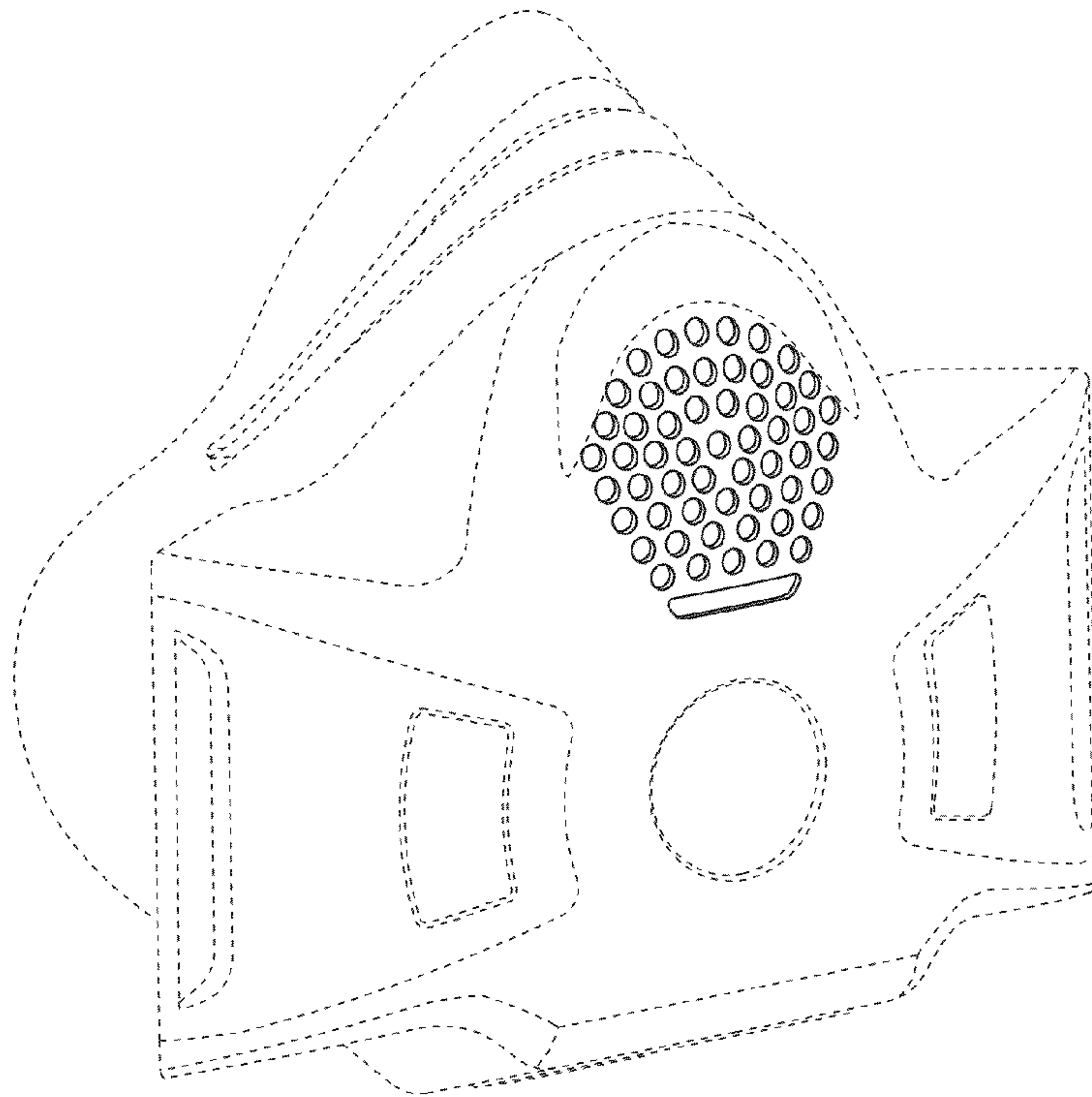


Fig. 1

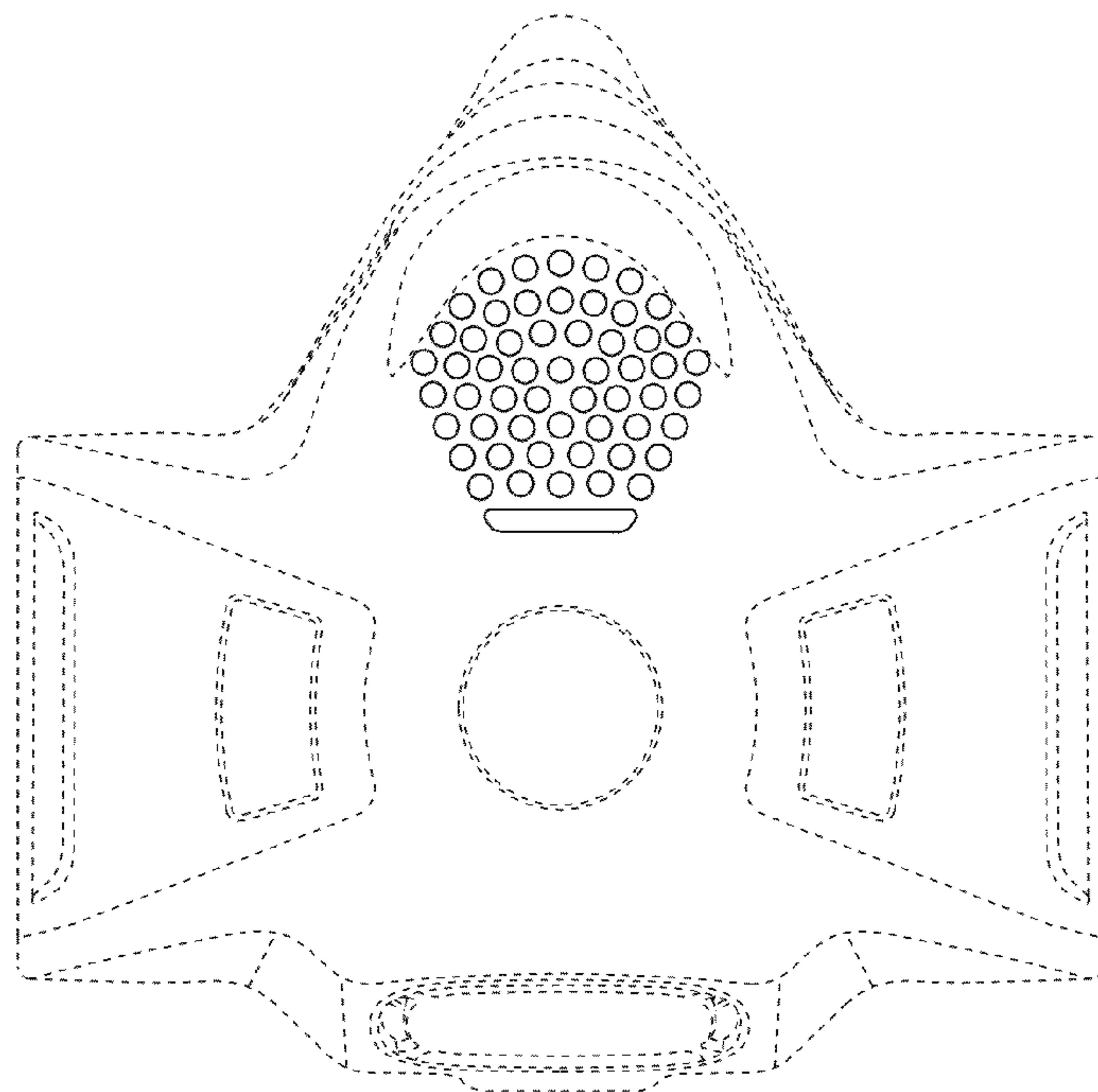


Fig. 2

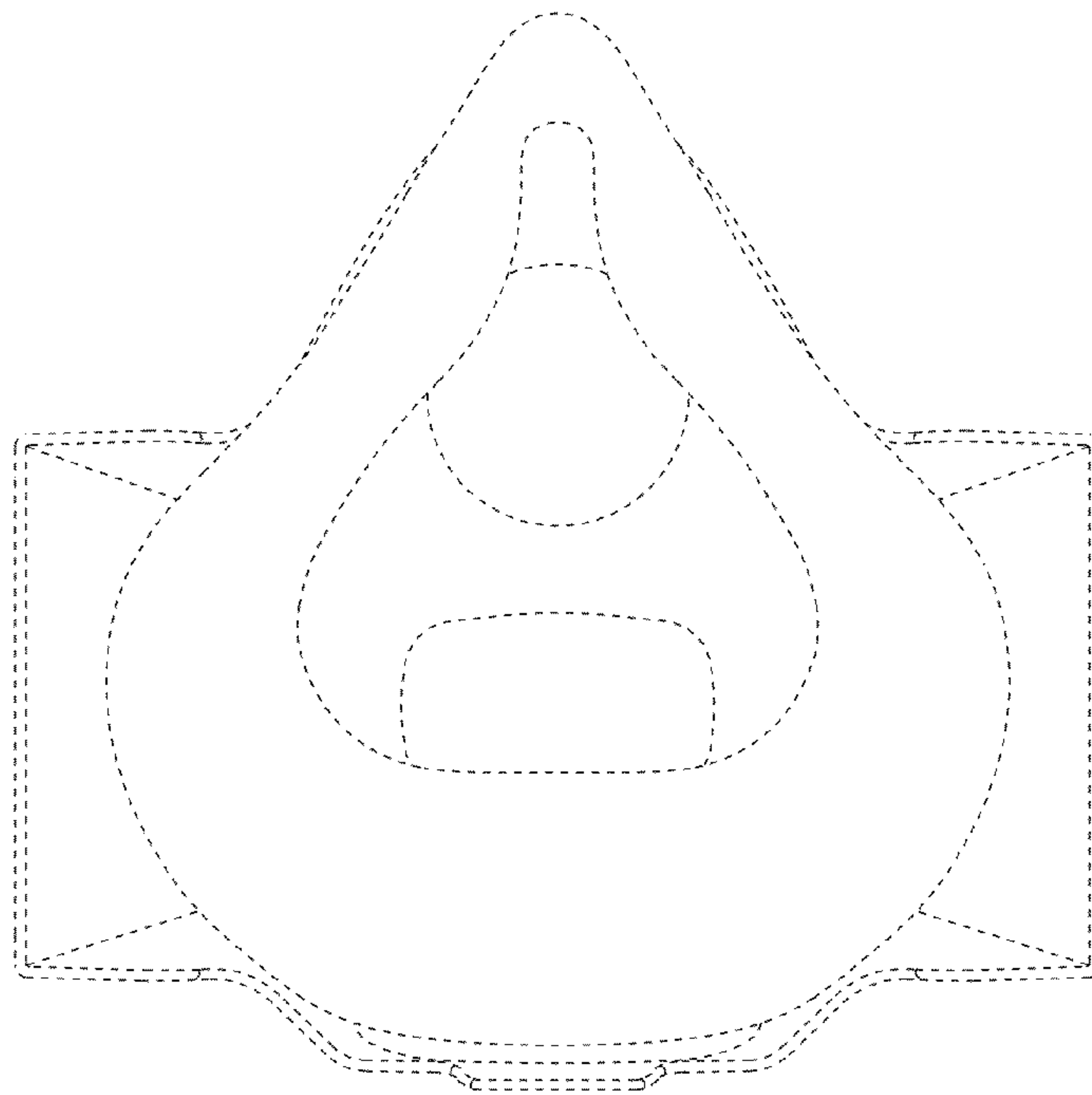


Fig. 3

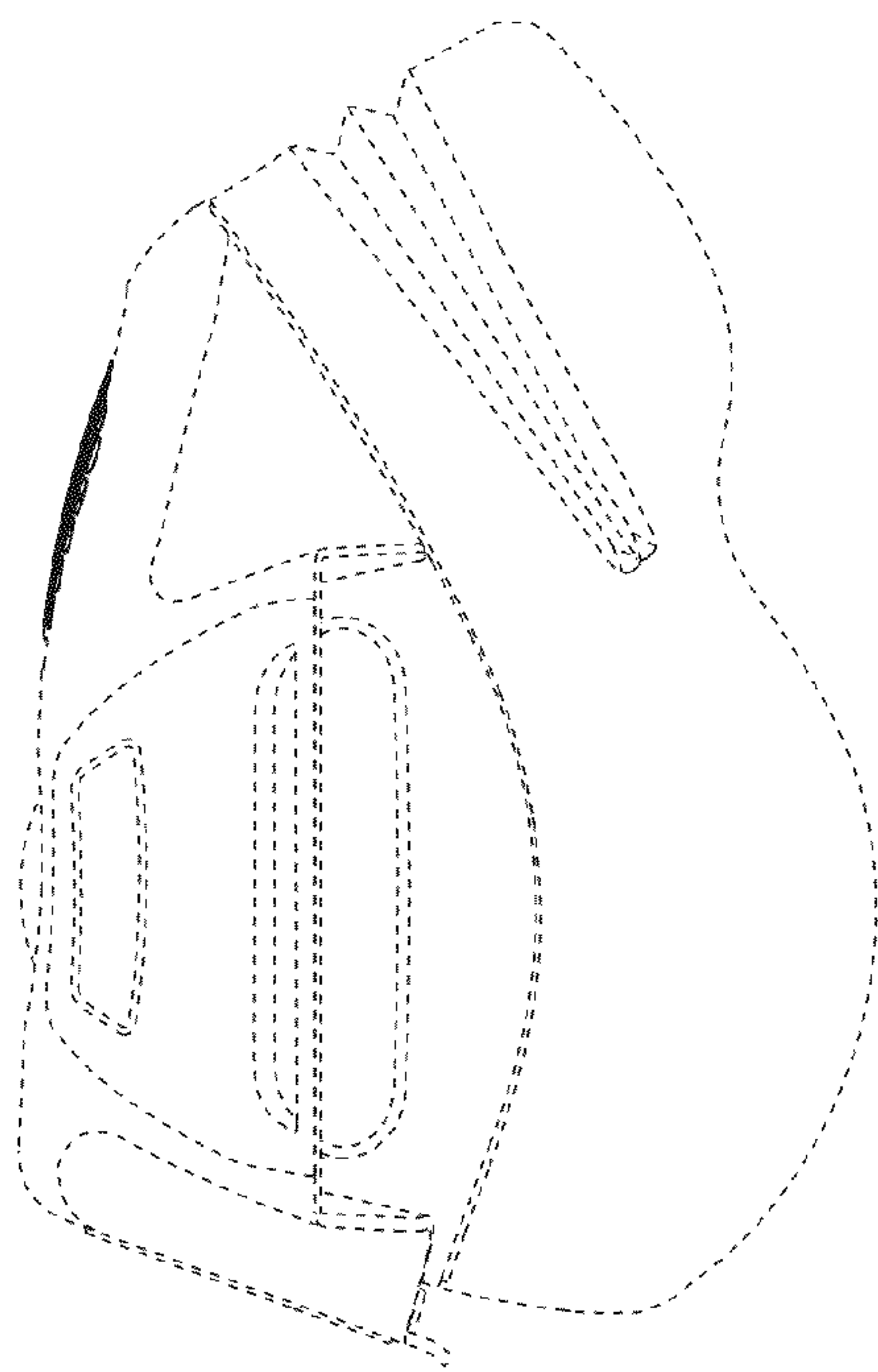


Fig. 4

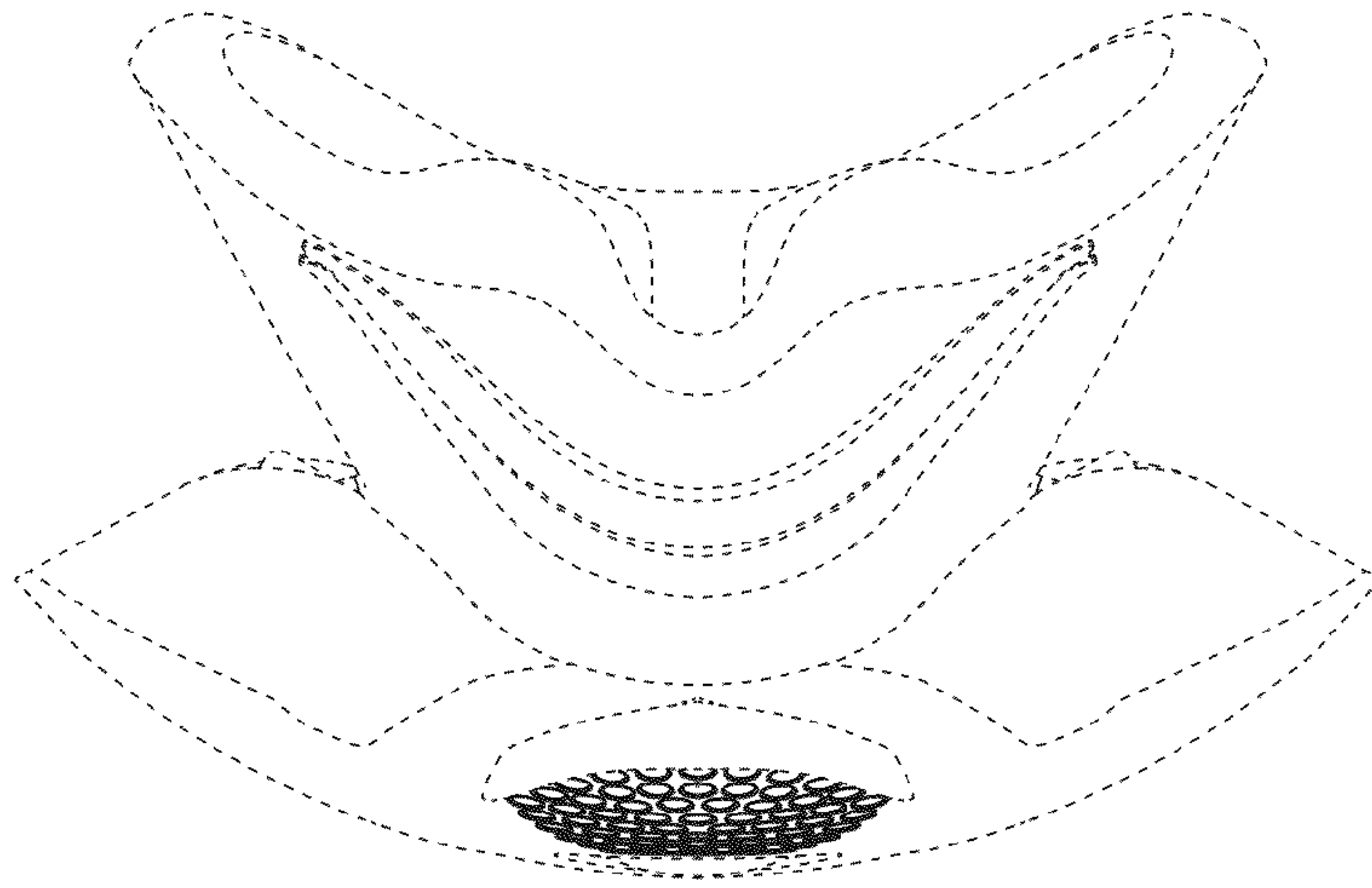


Fig. 5

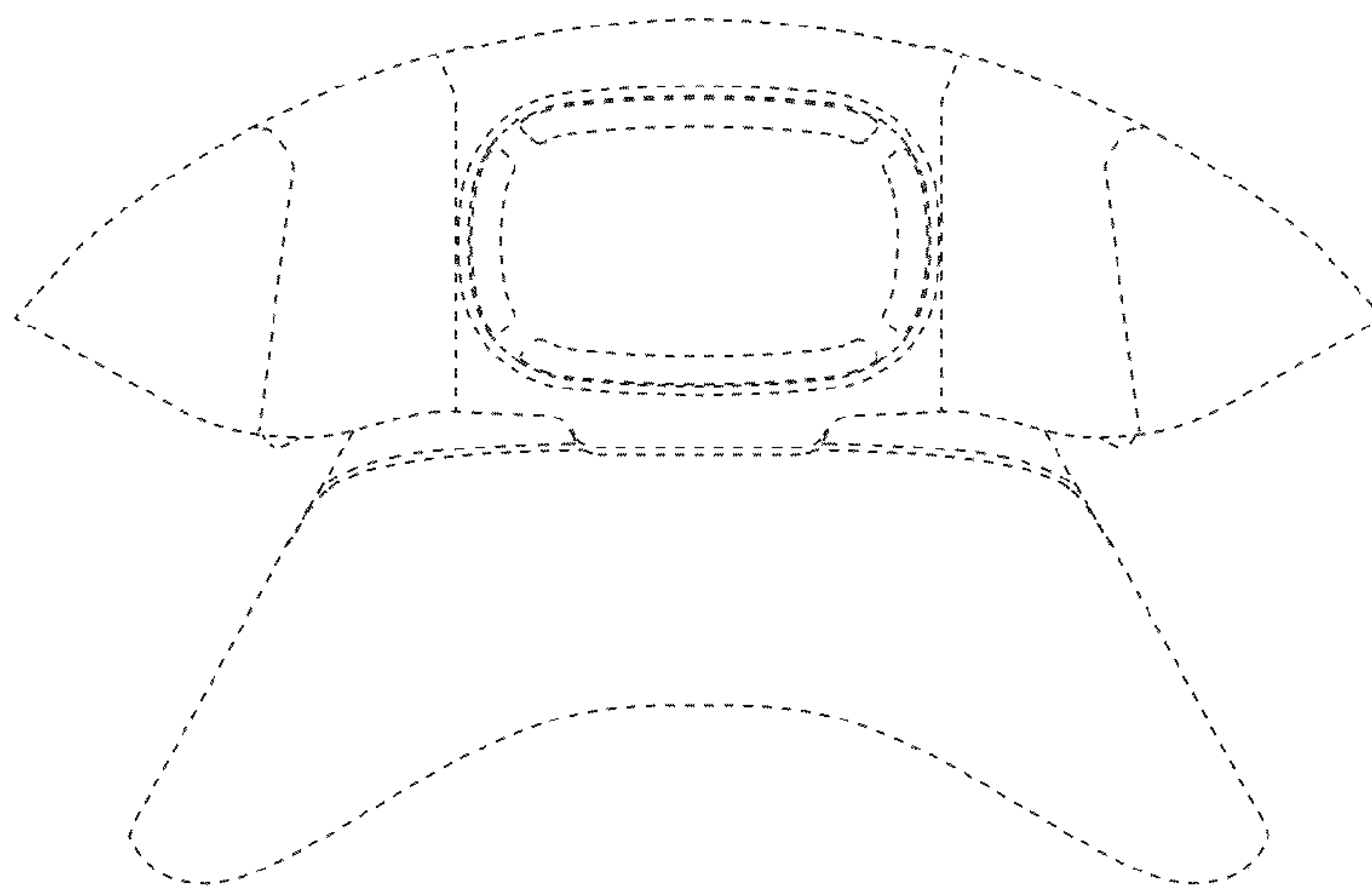


Fig. 6