



US00D746433S

(12) **United States Design Patent**
Smith et al.

(10) **Patent No.:** **US D746,433 S**

(45) **Date of Patent:** **** Dec. 29, 2015**

(54) **FLOW CYTOMETER**

(71) Applicant: **ViroCyt, LLC**, Boulder, CO (US)

(72) Inventors: **Braden L. Smith**, Lafayette, CO (US);
Michael A. Artinger, Boulder, CO (US);
Robert A. Kline, Louisville, CO (US)

(73) Assignee: **VIROCYT, INC.**, Boulder, CO (US)

(**) Term: **14 Years**

(21) Appl. No.: **29/485,769**

(22) Filed: **Mar. 21, 2014**

(51) **LOC (10) Cl.** **24-01**

(52) **U.S. Cl.**
USPC **D24/107**

(58) **Field of Classification Search**
USPC D24/107, 169, 186, 216, 231, 232;
D10/81, 96, 97
CPC G01N 15/1404; G01N 15/1459; G01N
15/147; G01N 2015/1006; G01N 15/14
See application file for complete search history.

(56) **References Cited**

U.S. PATENT DOCUMENTS

D482,796 S *	11/2003	Oyama et al.	D24/232
D601,051 S *	9/2009	Coumans et al.	D10/97
D651,106 S *	12/2011	Bradford et al.	D10/97
D676,976 S *	2/2013	Walsh et al.	D24/216
D687,561 S *	8/2013	Iseki	D24/216
D707,844 S *	6/2014	Hilbey	D24/216
D716,469 S *	10/2014	Muraoka et al.	D24/216
D719,667 S *	12/2014	Manian	D24/216
D719,668 S *	12/2014	Cien et al.	D24/216
D722,515 S *	2/2015	Zock	D10/81
D724,214 S *	3/2015	Ihara	D24/158
D729,083 S *	5/2015	Kobayashi et al.	D10/81
2003/0170145 A1 *	9/2003	Smith et al.	422/68.1

2004/0219627 A1 *	11/2004	Kawashima	435/29
2008/0156119 A1 *	7/2008	Zilioli	73/864.21
2008/0219886 A1 *	9/2008	Fukuju et al.	422/63
2008/0286753 A1 *	11/2008	Erickson et al.	435/5
2011/0074451 A1 *	3/2011	Yamaguchi	324/693
2011/0129864 A1 *	6/2011	Beall et al.	435/29
2013/0020498 A1 *	1/2013	Ebi et al.	250/435
2013/0229168 A1 *	9/2013	Takeshita	324/71.4

* cited by examiner

Primary Examiner — Deanna L Pratt

Assistant Examiner — Lilyana Bekic

(74) *Attorney, Agent, or Firm* — Marsh Fischmann & Breyfogle LLP

(57) **CLAIM**

The ornamental design for a flow cytometer, as shown and described.

DESCRIPTION

FIG. 1 is a top, front and right side perspective view of the flow cytometer;

FIG. 2 is a top, front and left side perspective view of the flow cytometer;

FIG. 3 is a top, rear and right side perspective view of the flow cytometer;

FIG. 4 is a top, rear and left side perspective view of the flow cytometer;

FIG. 5 is a front view of the flow cytometer;

FIG. 6 is a rear view of the flow cytometer;

FIG. 7 is a right side view of the flow cytometer;

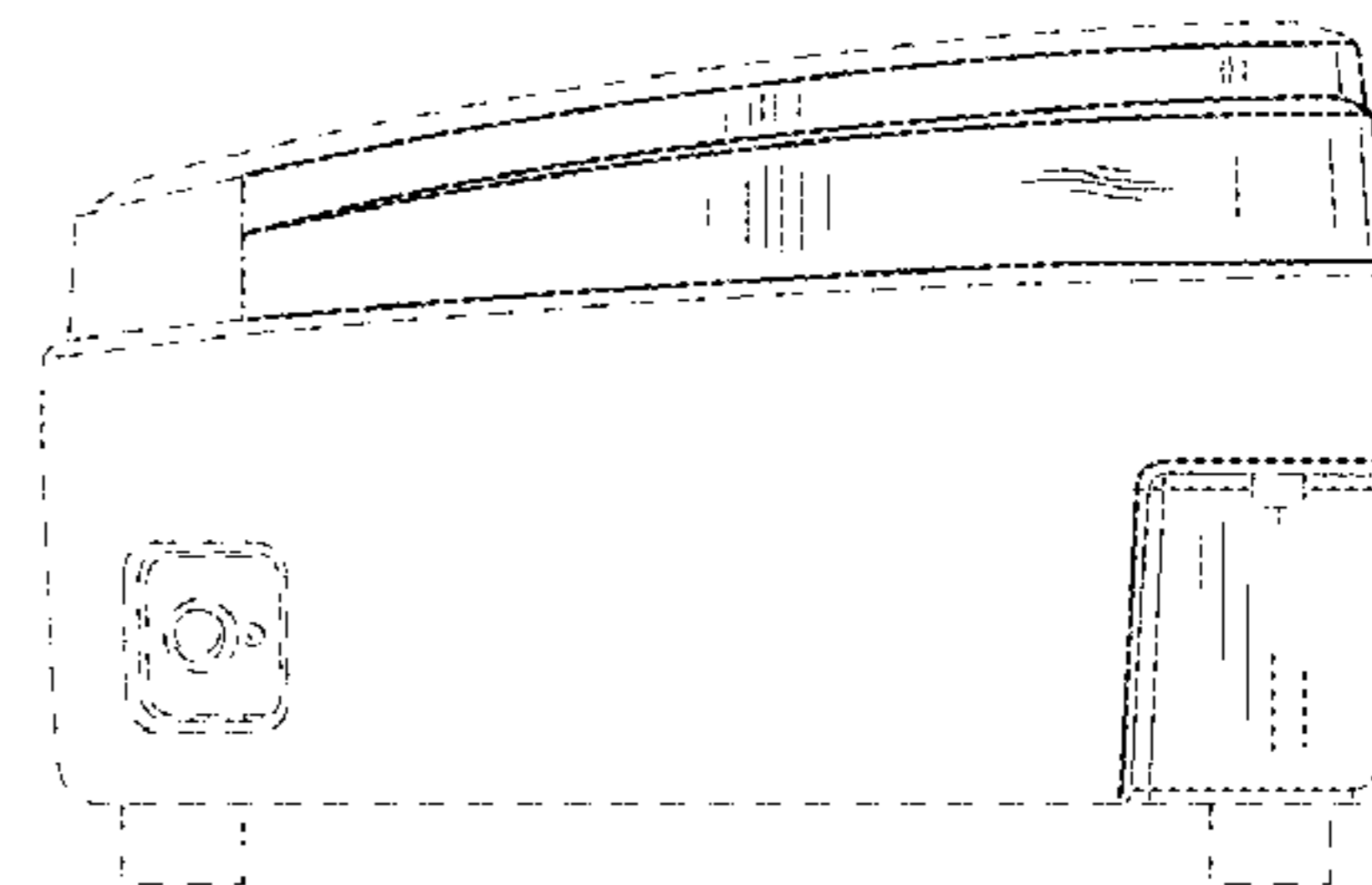
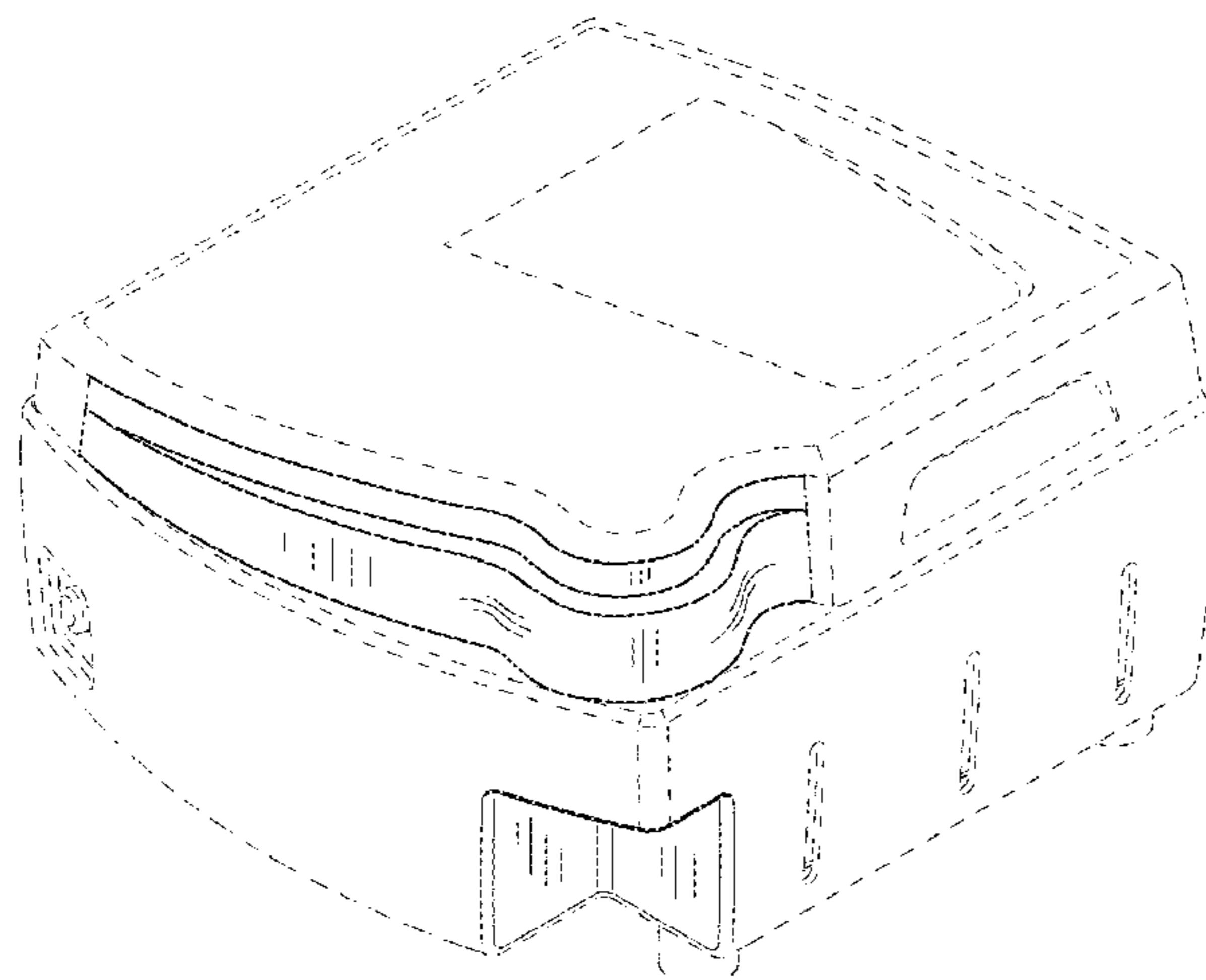
FIG. 8 is a left side view of the flow cytometer;

FIG. 9 is a top view of the flow cytometer; and,

FIG. 10 is a bottom view of the flow cytometer.

The broken lines in the drawings illustrate portions of the flow cytometer which form no part of the claimed design. The dash-dot-dash broken lines illustrate the boundaries of the claimed design and form no part thereof.

1 Claim, 8 Drawing Sheets



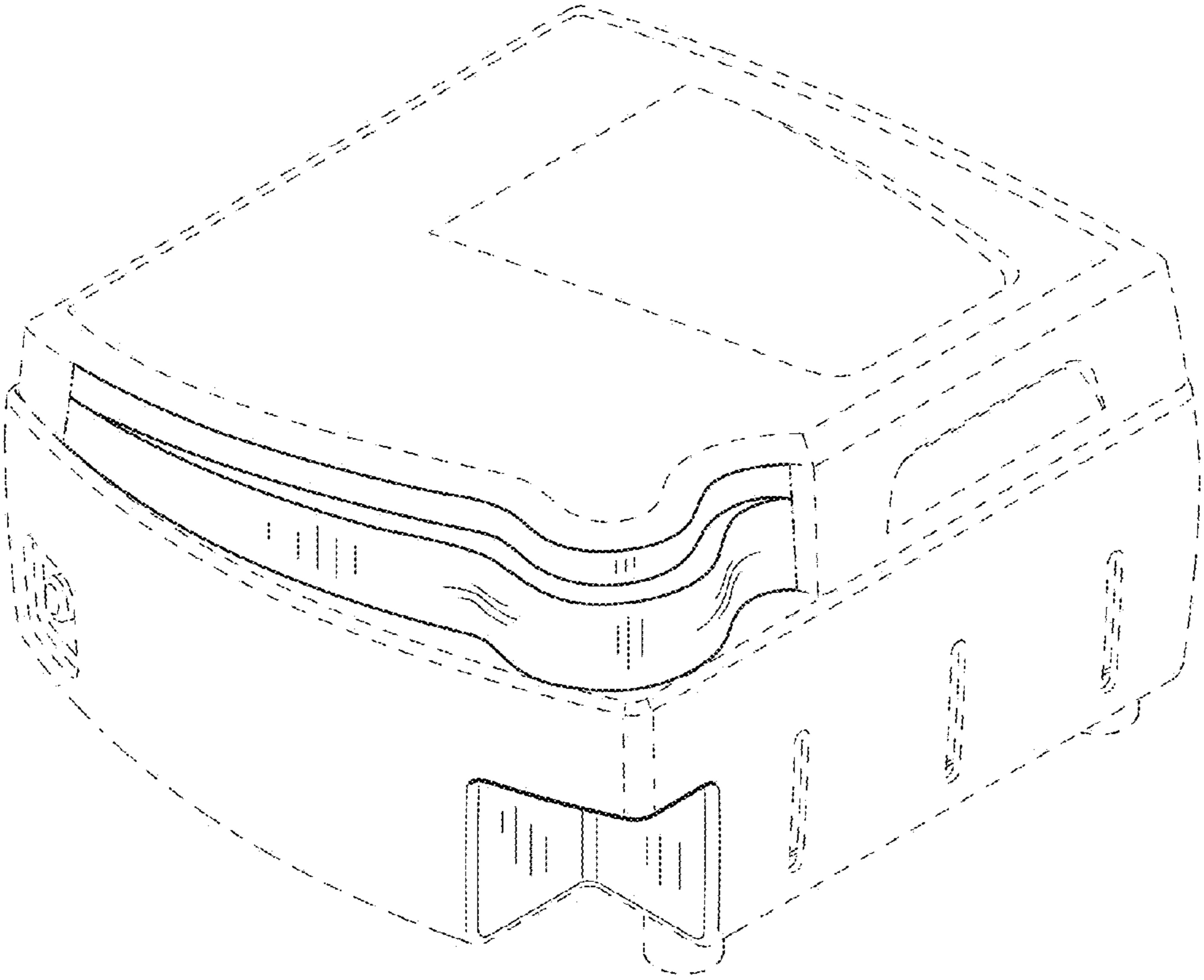


FIG.1

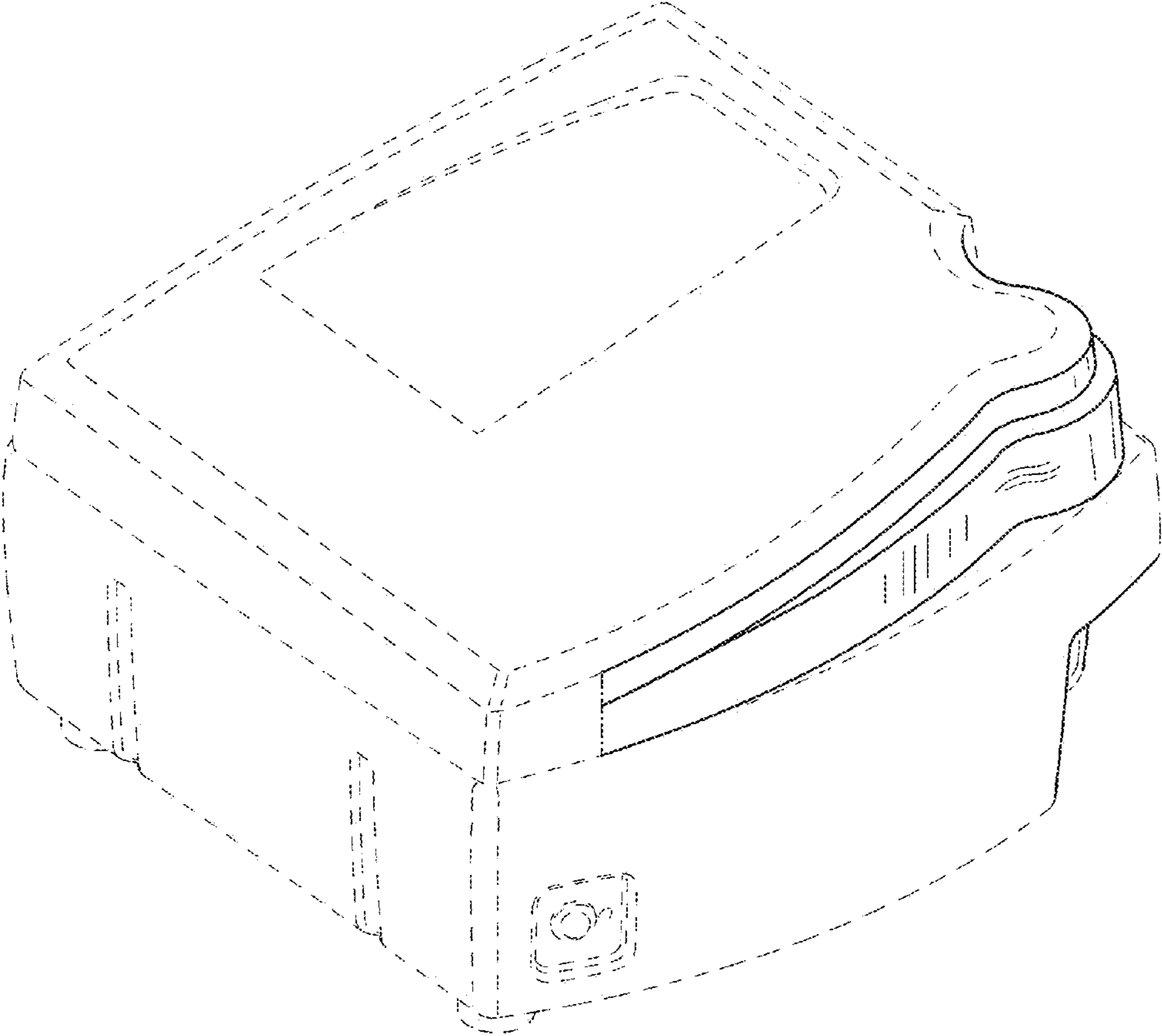


FIG.2

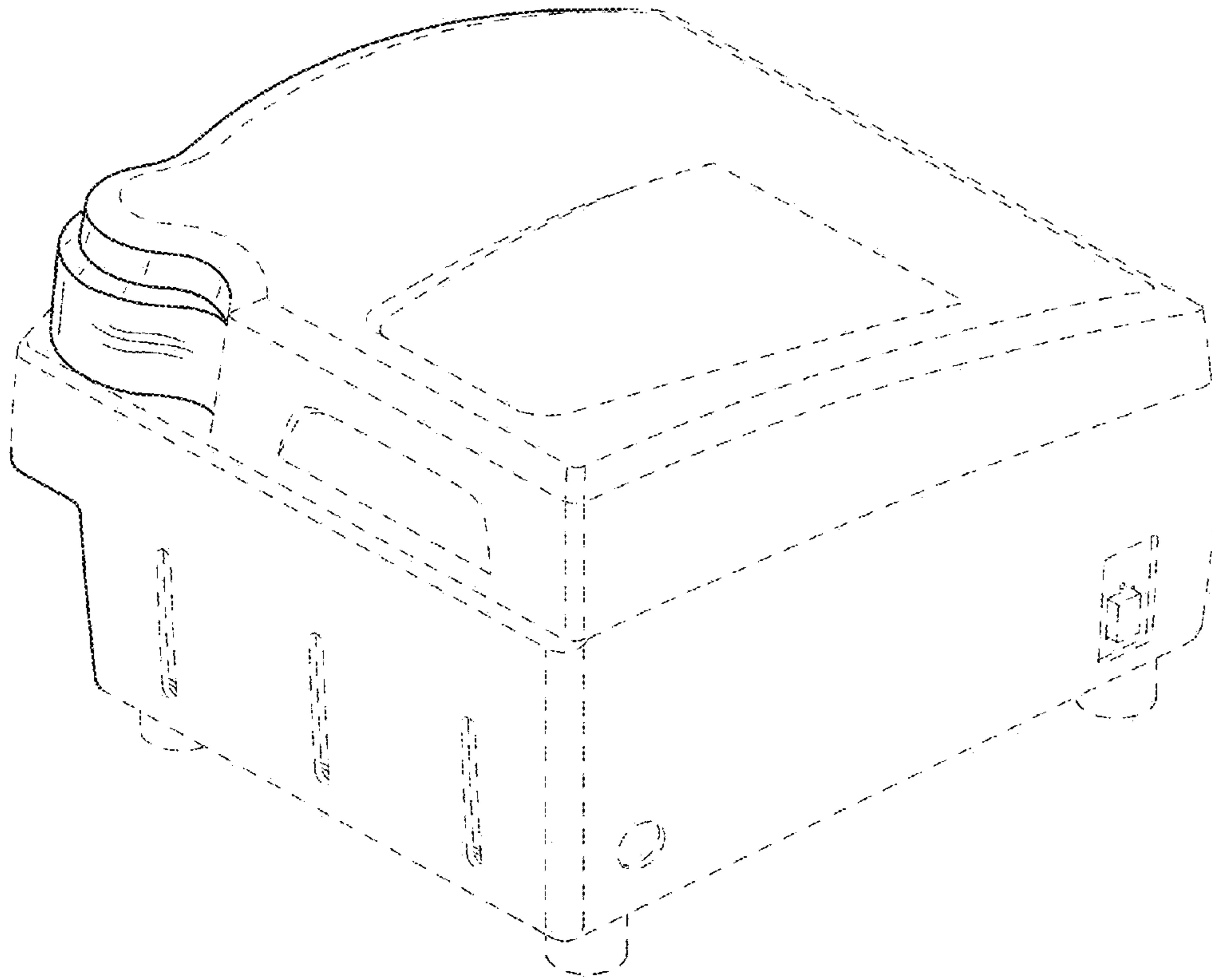


FIG.3

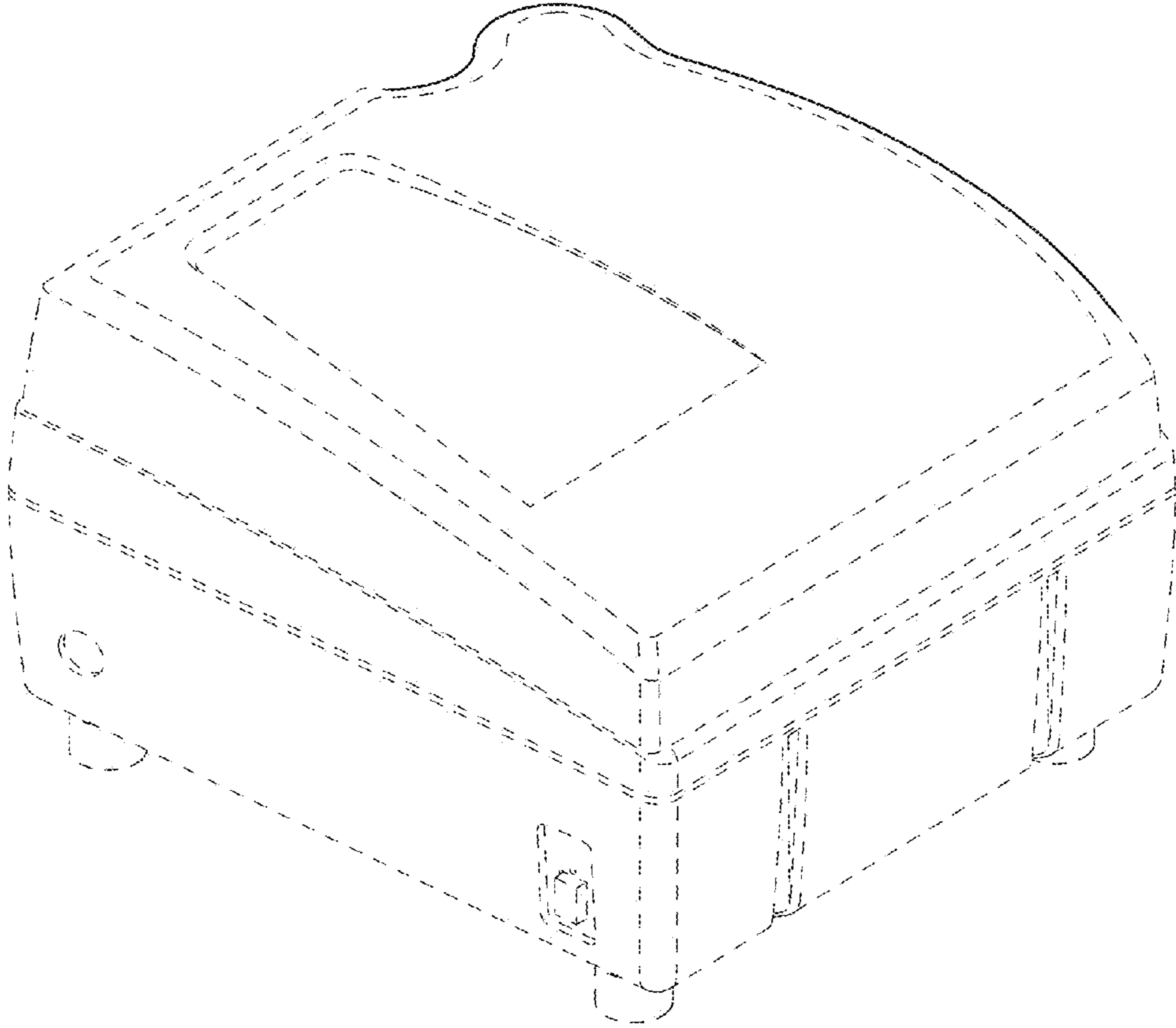


FIG.4

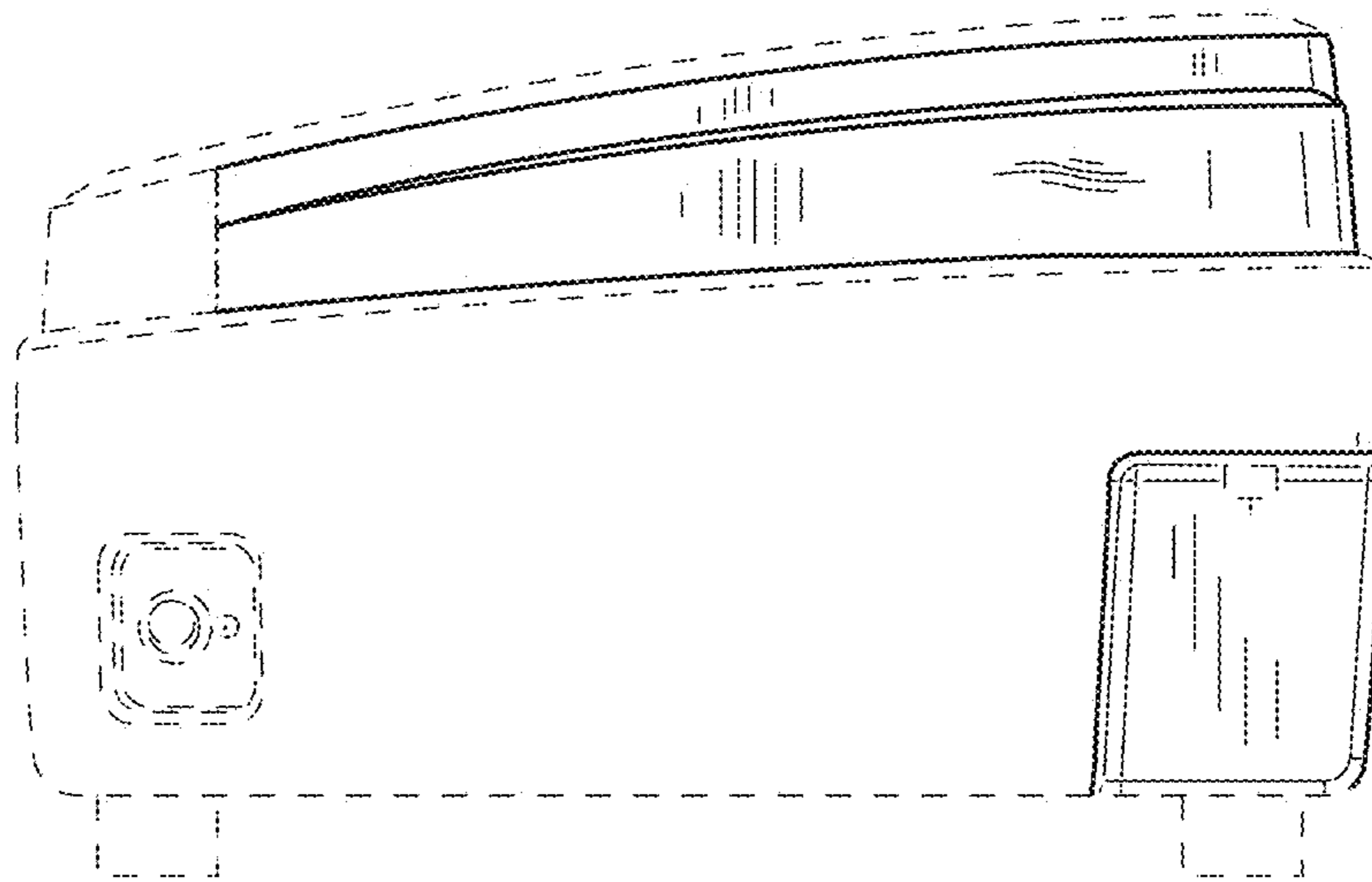


FIG. 5

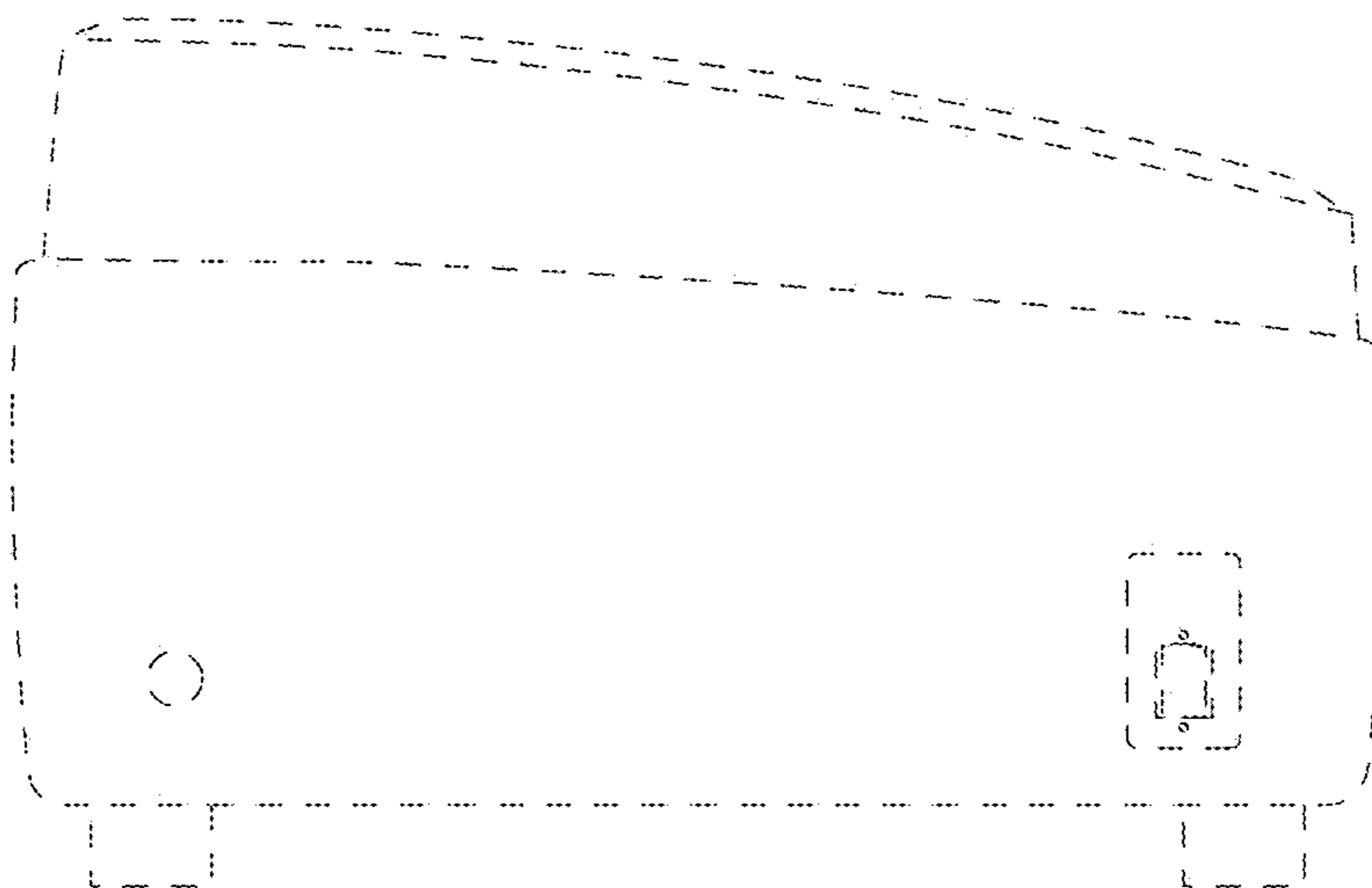


FIG. 6

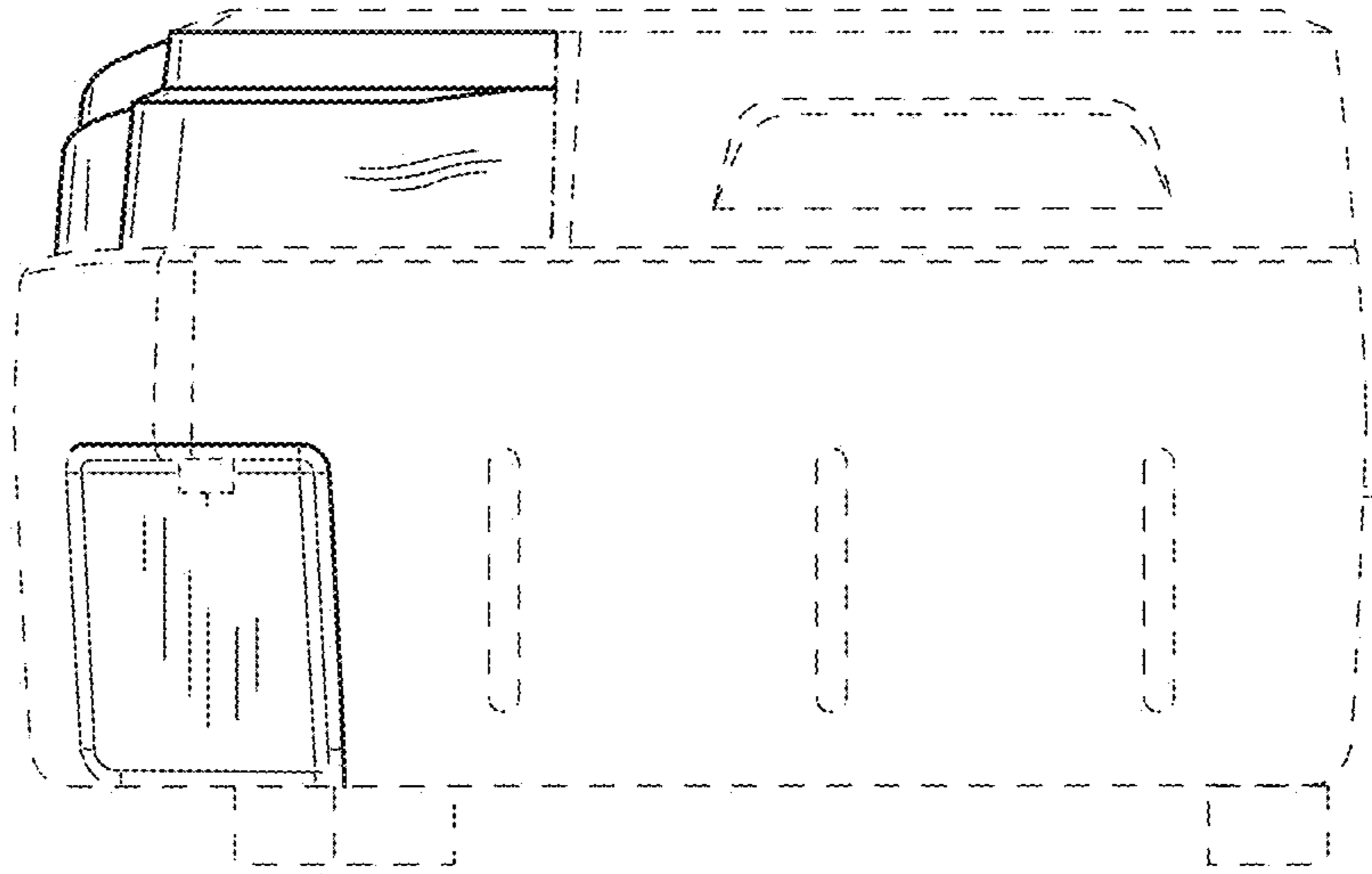


FIG. 7

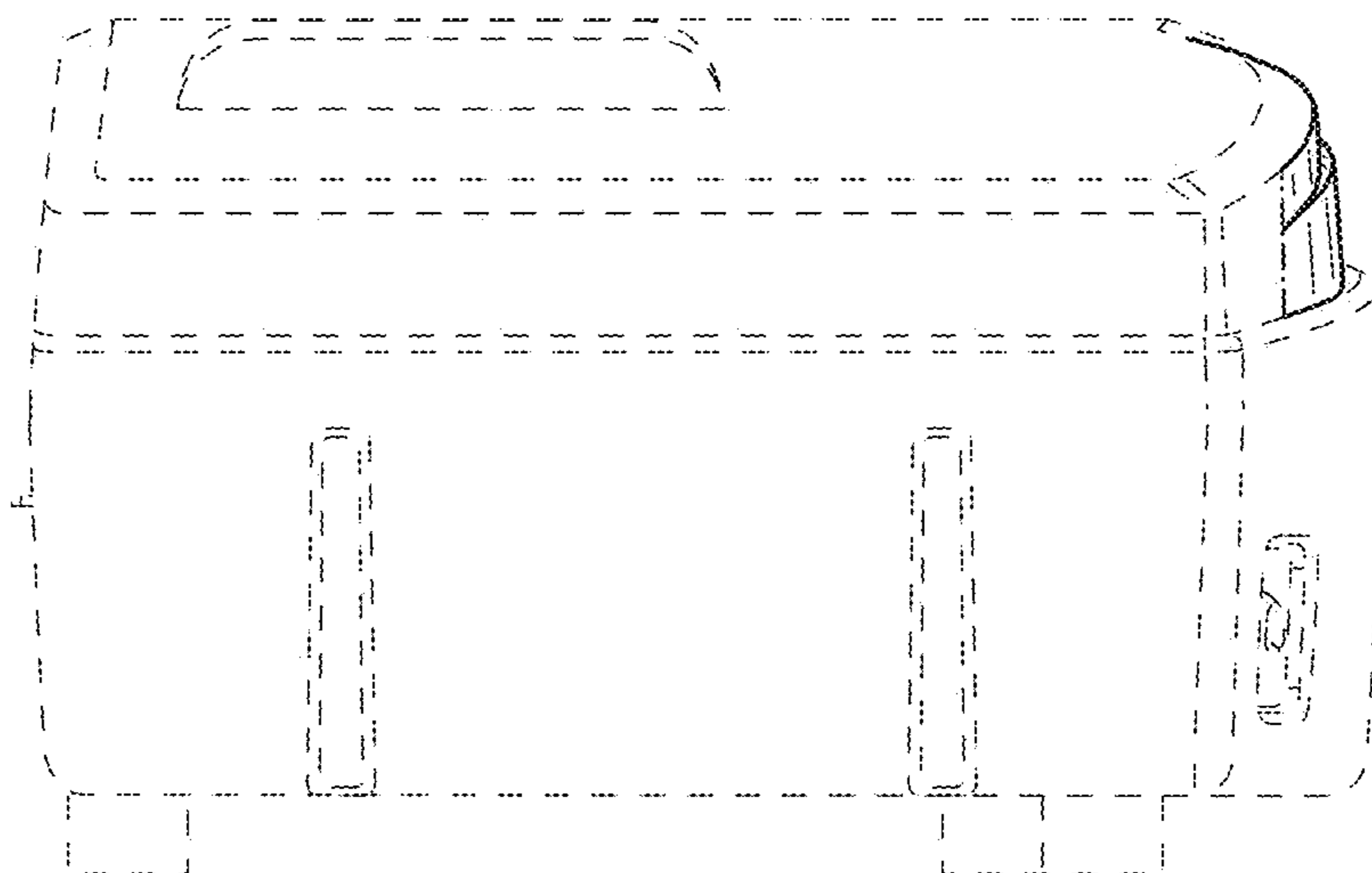


FIG. 8

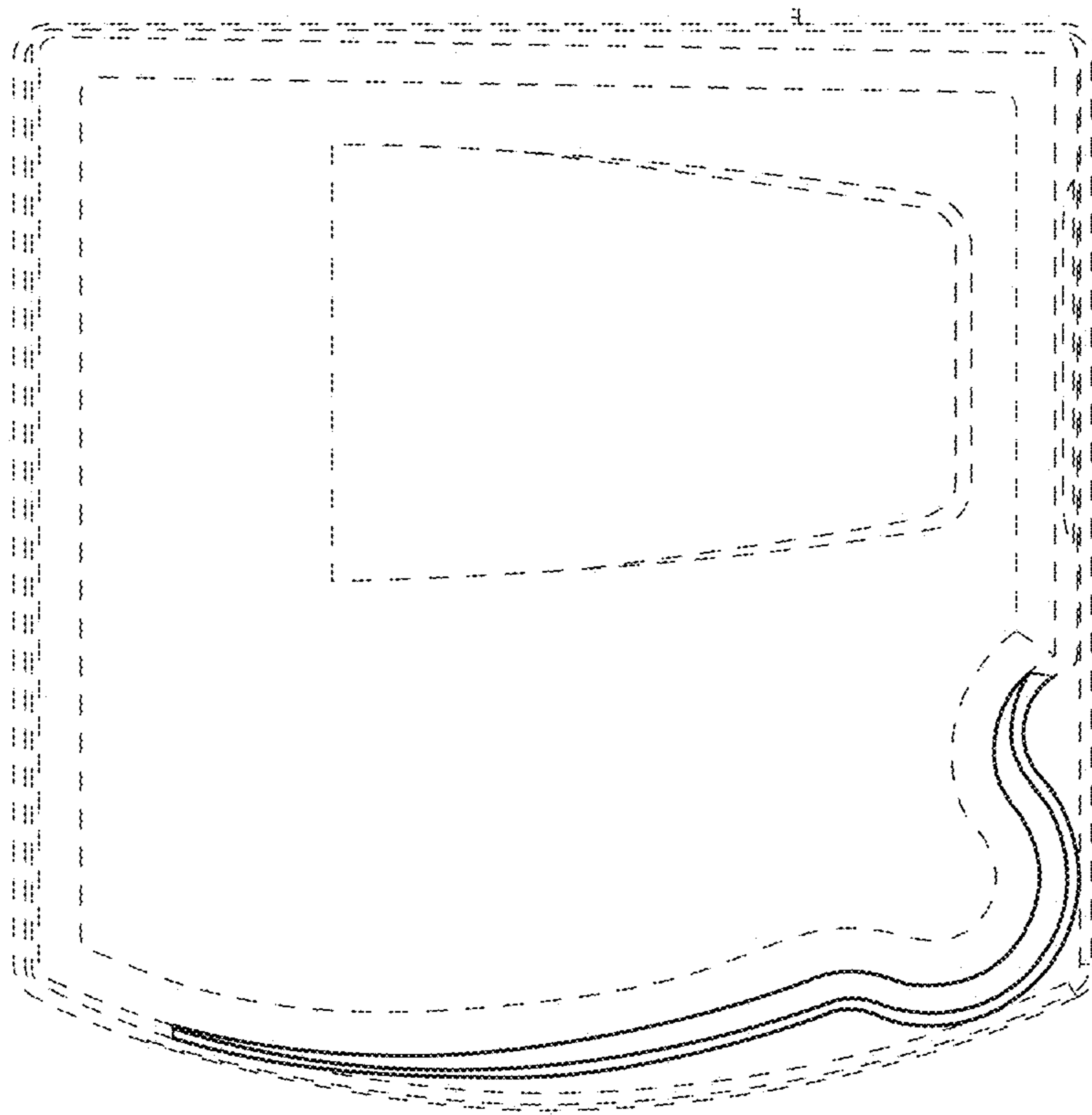


FIG.9

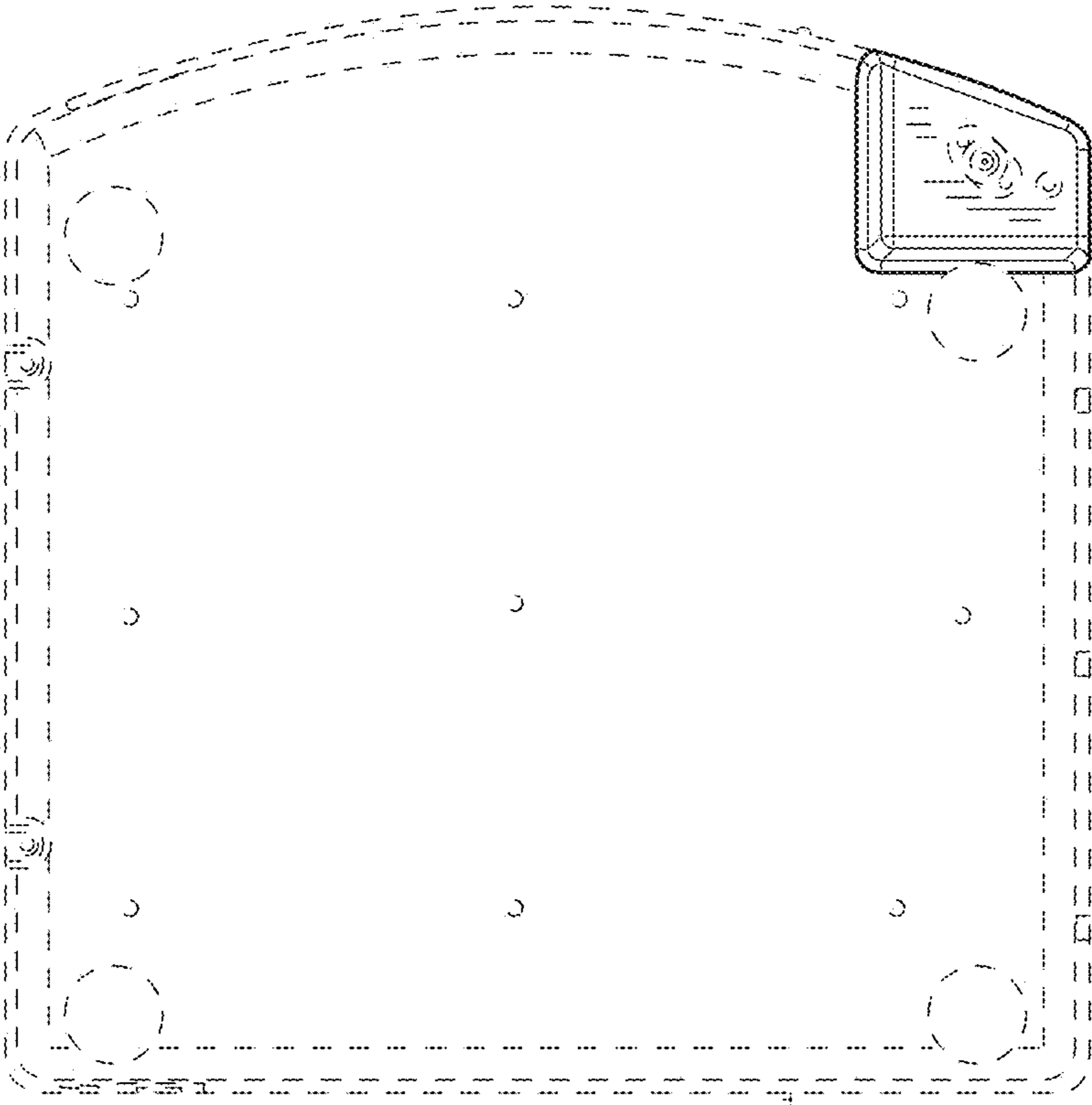


FIG.10