



US00D746428S

(12) **United States Design Patent**
Martinez

(10) **Patent No.:** **US D746,428 S**

(45) **Date of Patent:** **** Dec. 29, 2015**

(54) **DIFFUSER**

(71) Applicant: **Art Design Works LLC**, Lexington,
MA (US)

(72) Inventor: **Carl Martinez**, Easton, PA (US)

(73) Assignee: **Art Design Works LLC**, Lexington,
MA (US)

(**) Term: **14 Years**

(21) Appl. No.: **29/501,901**

(22) Filed: **Sep. 9, 2014**

(51) **LOC (10) Cl.** **06-01**

(52) **U.S. Cl.**
USPC **D23/366**

(58) **Field of Classification Search**

USPC D23/355-369; D28/5, 6; 261/DIG. 17,
261/DIG. 42, DIG. 47, DIG. 55, DIG. 65,
261/DIG. 70, DIG. 88, DIG. 89; 392/386,
392/390, 392, 394, 395; 239/34, 44, 53, 56,
239/60, 146, 326

CPC A61L 9/00; A61L 9/02; A61L 9/03;
A61L 9/04; A61L 9/12; A61L 9/22; A61L
9/127; A61L 9/032; A61L 9/035; A61L 9/037
See application file for complete search history.

(56) **References Cited**

U.S. PATENT DOCUMENTS

D215,846 S * 11/1969 Curtis D23/368
D280,854 S * 10/1985 Matalon D28/91.1
D330,169 S * 10/1992 Yajima D10/57

(Continued)

Primary Examiner — Sandra Snapp

(74) *Attorney, Agent, or Firm* — Wolf, Greenfield & Sacks,
P.C.

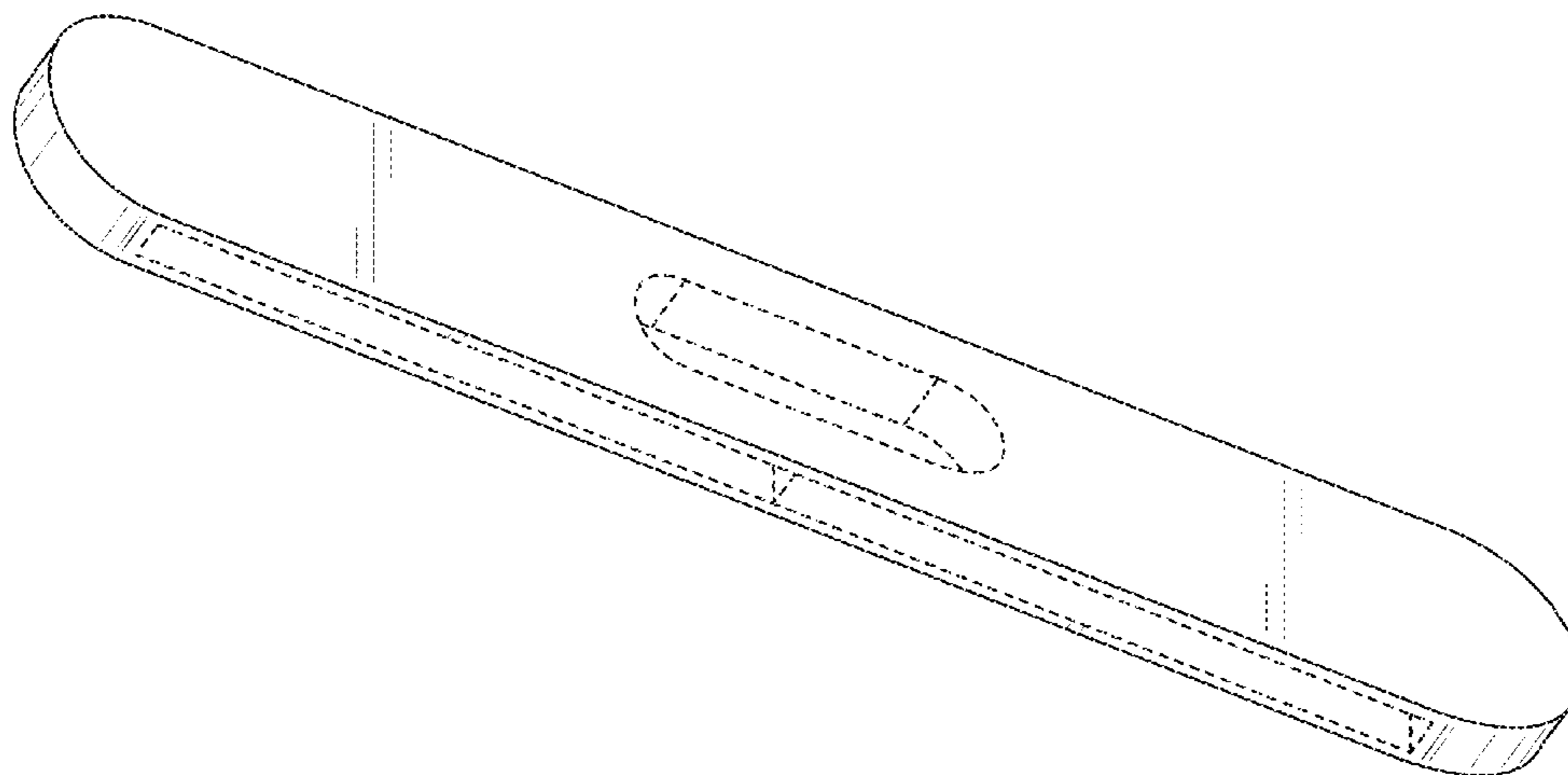
(57) **CLAIM**
The ornamental design for a diffuser, as shown and described.

DESCRIPTION

FIG. 1 is a bottom, front, left side perspective view of a diffuser showing a first embodiment of my new design; FIG. 2 is a bottom plan view thereof; FIG. 3 is a top plan view thereof; FIG. 4 is a left side elevational view thereof; FIG. 5 is a right side elevational view thereof; FIG. 6 is a front elevational view thereof; FIG. 7 is a rear elevational view thereof; FIG. 8 is a bottom, front, left side perspective view showing a second embodiment thereof; FIG. 9 is a bottom plan view of FIG. 8; FIG. 10 is a top plan view of FIG. 8; FIG. 11 is a left side elevational view of FIG. 8; FIG. 12 is a right side elevational view of FIG. 8; FIG. 13 is a front elevational view of FIG. 8; FIG. 14 is a rear elevational view of FIG. 8; FIG. 15 is a bottom, front, left side perspective view showing a third embodiment thereof; FIG. 16 is a bottom plan view of FIG. 15; FIG. 17 is a top plan view of FIG. 15; FIG. 18 is a left side elevational view of FIG. 15; FIG. 19 is a right side elevational view of FIG. 15; FIG. 20 is a front elevational view of FIG. 15; and, FIG. 21 is a rear elevational view of FIG. 15.

The dashed broken lines of the figures represent unclaimed portions of the diffuser and form no part of the claimed design. The dash-dot broken lines of FIGS. 15-17 and 20-21 define boundaries of the claimed design, and form no part of the claimed design. The pairs of adjacent wavy break lines of FIGS. 1-3, 6-7, 15-17, and 20-21 form no part of the claimed design, and indicate that the appearance of any portion of the article between the break lines forms no part of the claimed design.

1 Claim, 9 Drawing Sheets



(56)

References Cited

U.S. PATENT DOCUMENTS

D411,881 S *	7/1999	Weick	D23/366	D539,883 S *	4/2007	Lee et al.	D23/351
D438,608 S *	3/2001	Chen	D23/366	D575,859 S *	8/2008	Scimone	D23/366
6,722,578 B2 *	4/2004	Skalitzky et al.	239/57	D633,610 S *	3/2011	Wu	D23/366
D512,494 S *	12/2005	Haranaka	D23/355	D639,465 S *	6/2011	Abernethy et al.	D26/24
D519,624 S *	4/2006	Chen	D23/368	D640,781 S *	6/2011	Brandenburg	D23/366
D520,129 S *	5/2006	Sevy	D23/367	D656,230 S *	3/2012	Robinson et al.	D23/363
D521,138 S *	5/2006	Wu	D23/366	D664,636 S *	7/2012	Robinson et al.	D23/360
				D689,999 S *	9/2013	Viala	D23/366
				D705,918 S *	5/2014	Robinson et al.	D23/360
				2010/0288847 A1 *	11/2010	Gruenbacher et al.	239/34

* cited by examiner

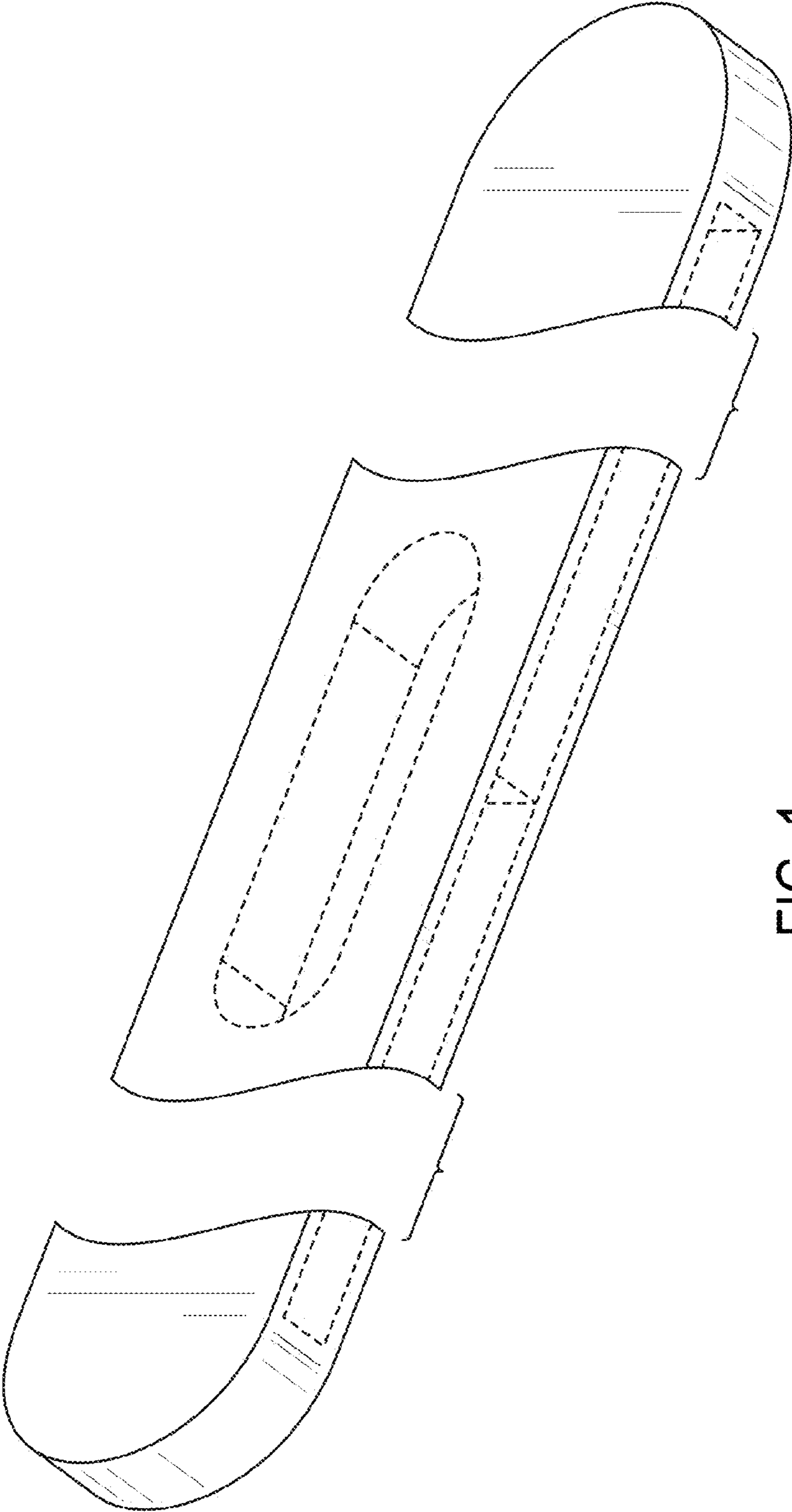


FIG. 1

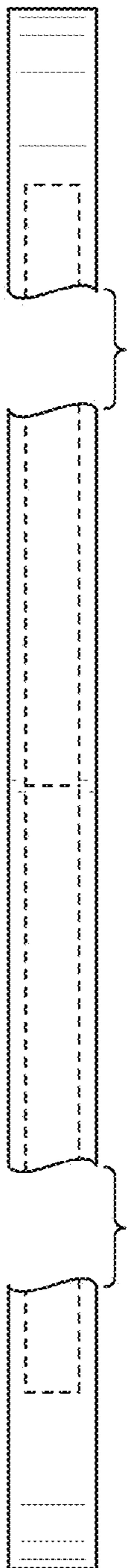


FIG. 2

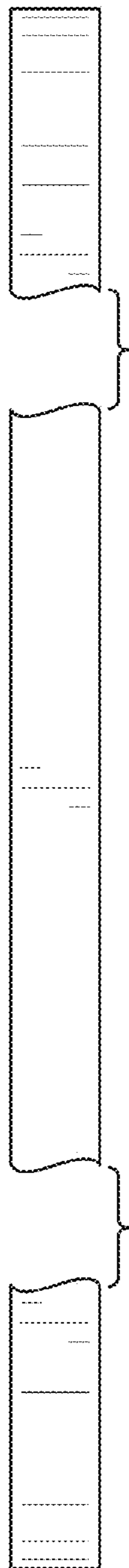


FIG. 3

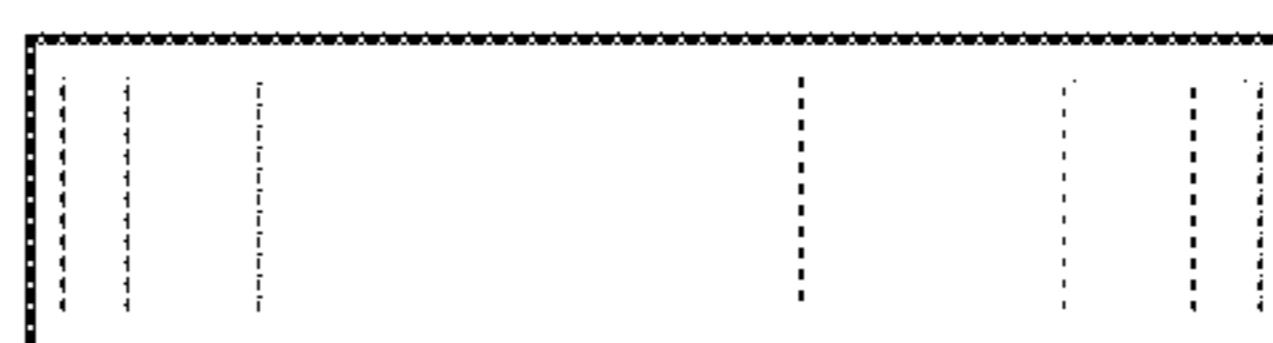


FIG. 4



FIG. 5

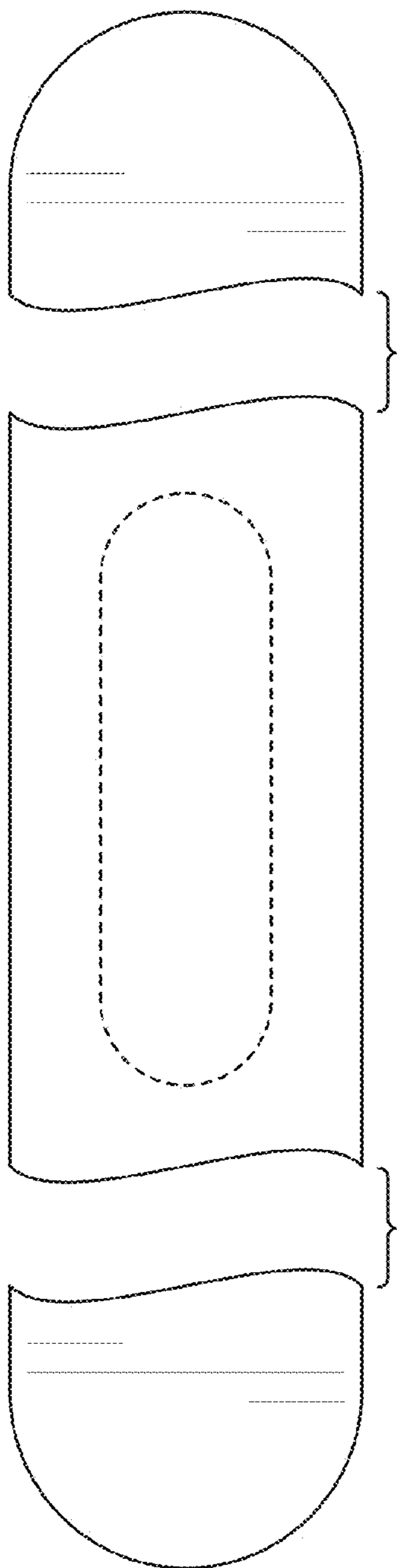


FIG. 6

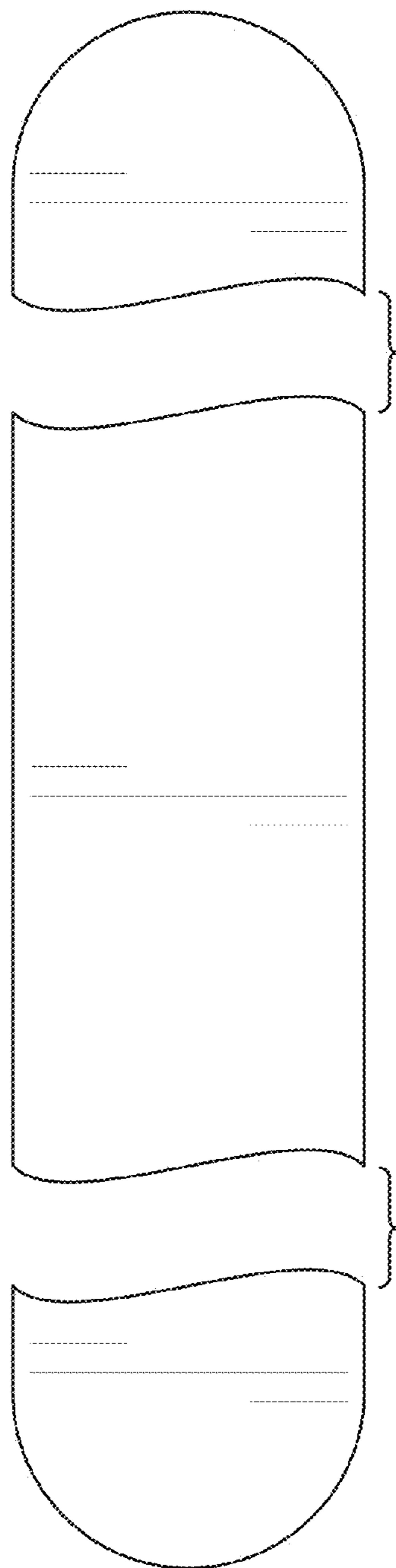


FIG. 7

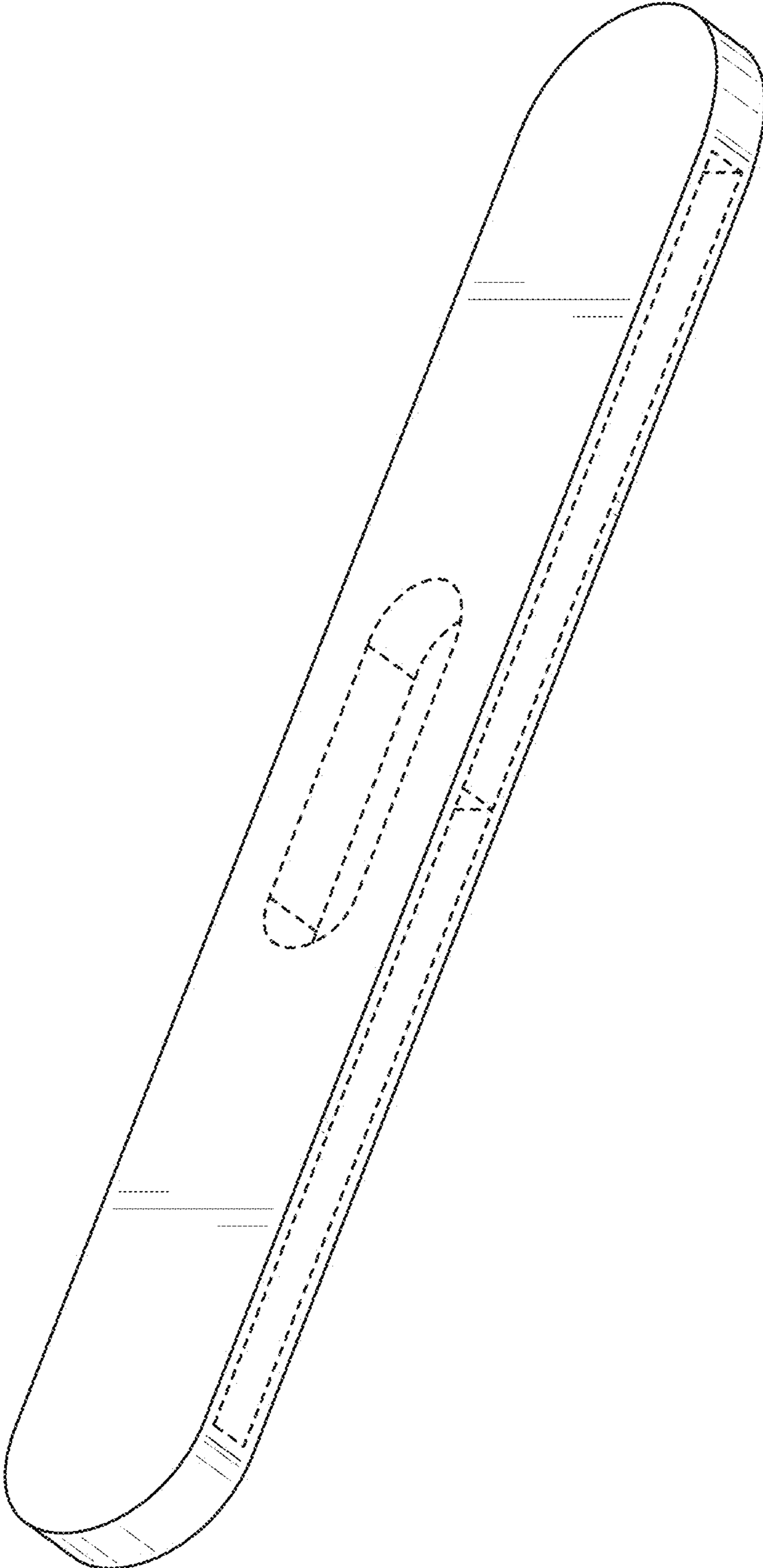


FIG. 8

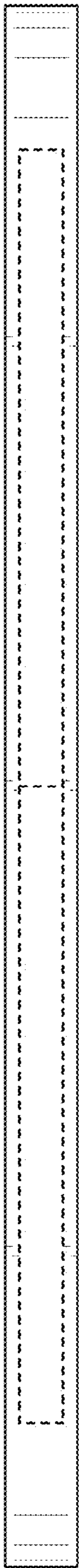


FIG. 9

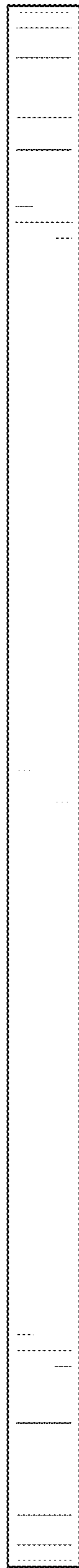


FIG. 10



FIG. 11



FIG. 12

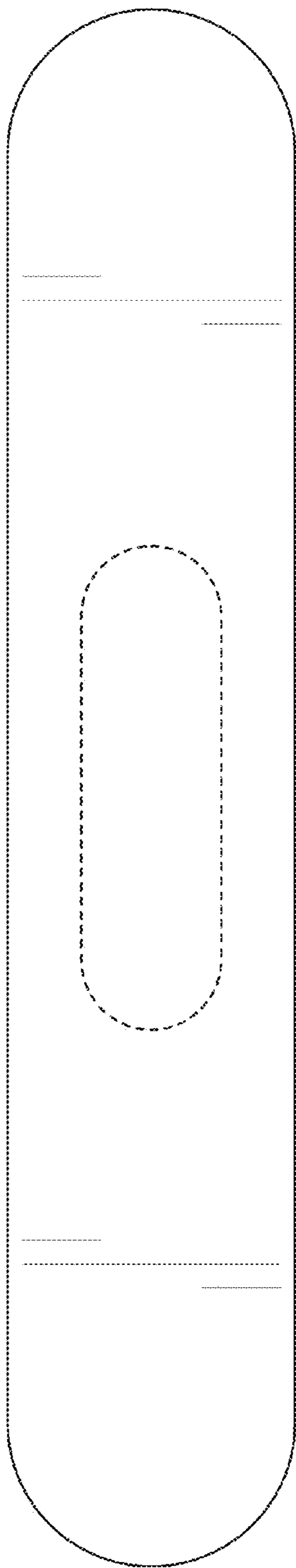


FIG. 13

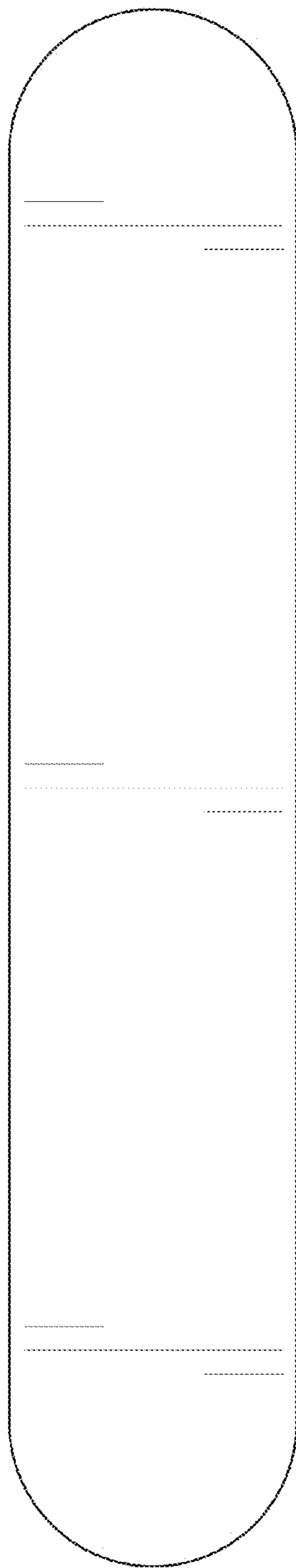


FIG. 14

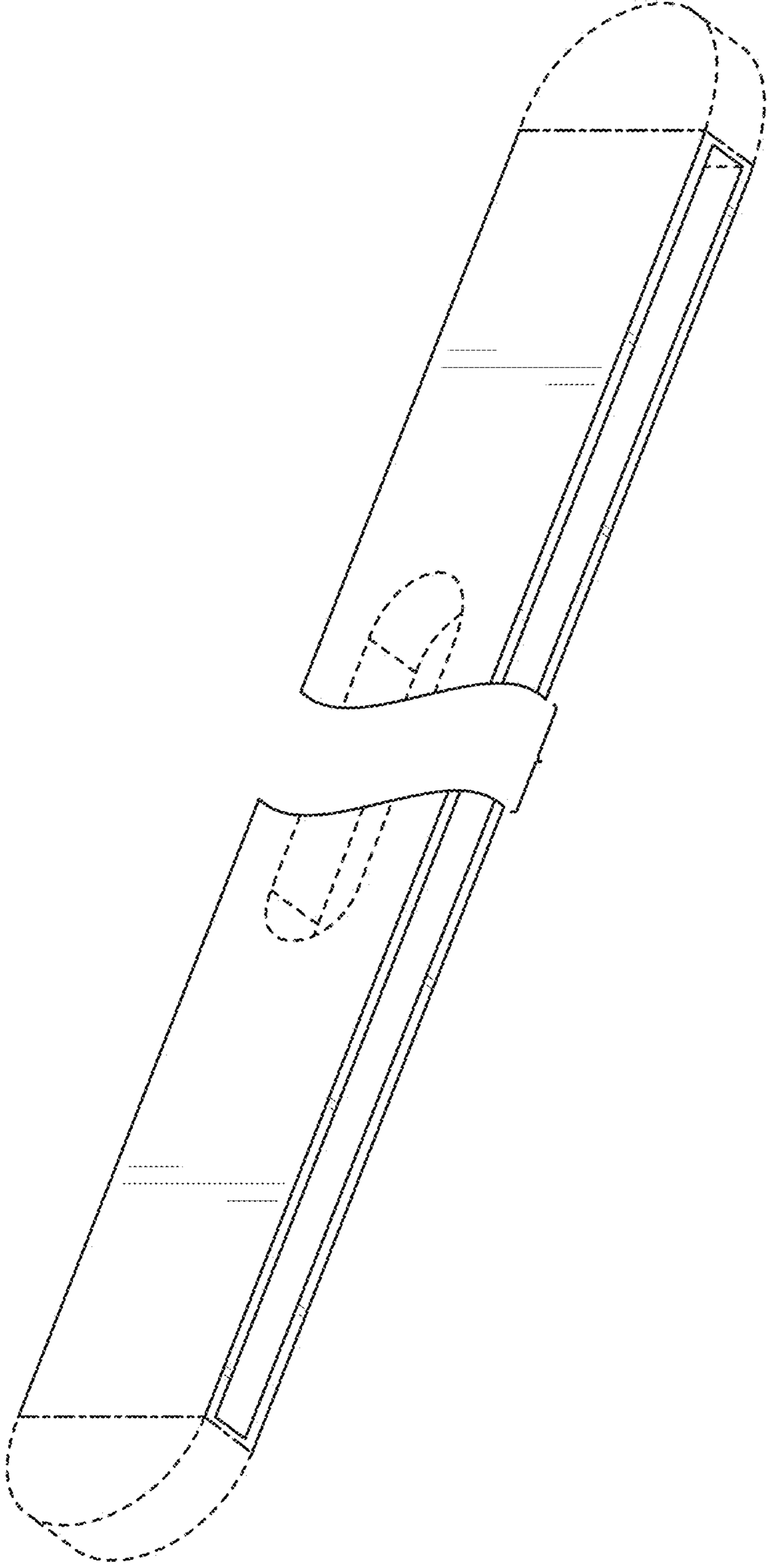


FIG. 15

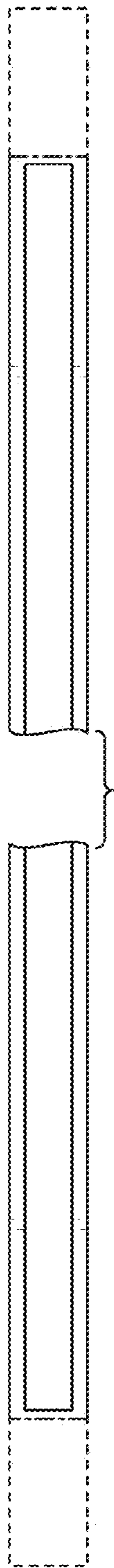


FIG. 16

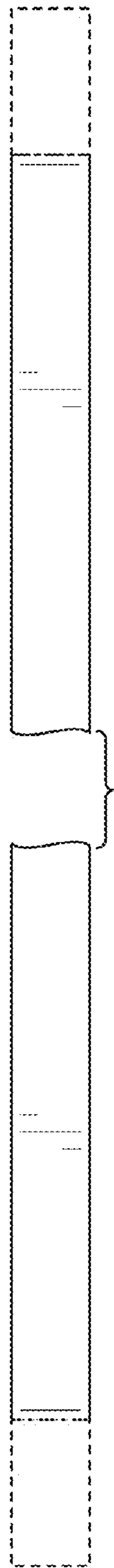


FIG. 17



FIG. 18



FIG. 19

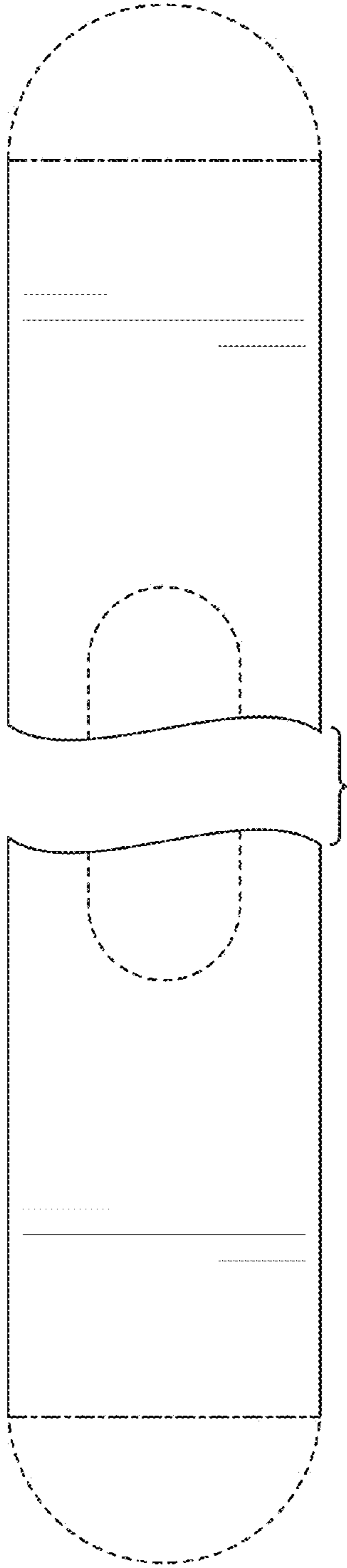


FIG. 20

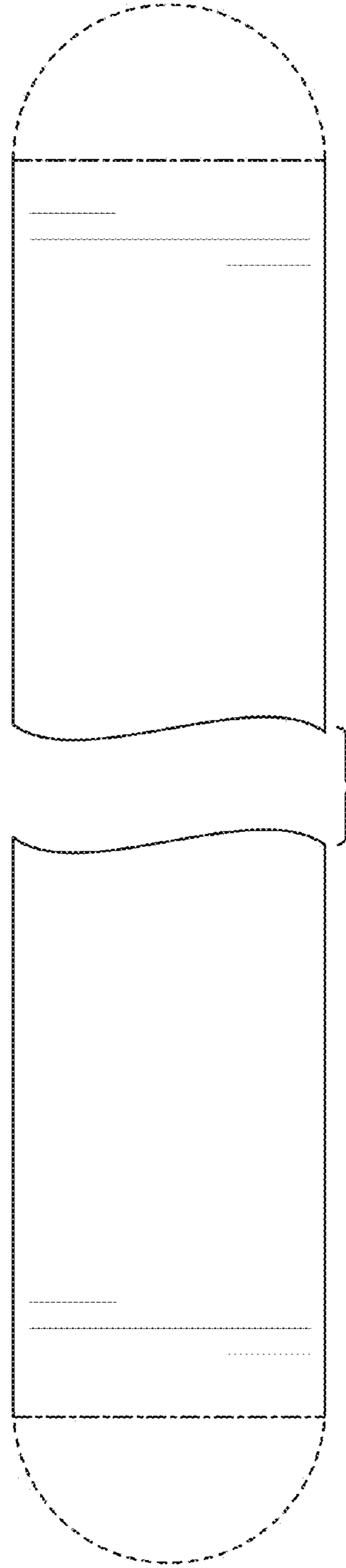


FIG. 21