



US00D746427S

(12) **United States Design Patent**
Mecker

(10) **Patent No.:** **US D746,427 S**

(45) **Date of Patent:** **** Dec. 29, 2015**

(54) **FACEPLATE FOR A DISPENSER**

(71) Applicant: **S.C. Johnson & Son, Inc.**, Racine, WI (US)

(72) Inventor: **Alex Mecker**, Milwaukee, WI (US)

(73) Assignee: **S.C. Johnson & Son, Inc.**, Racine, WI (US)

(**) Term: **14 Years**

(21) Appl. No.: **29/469,123**

(22) Filed: **Oct. 7, 2013**

(51) **LOC (10) Cl.** **28-99**

(52) **U.S. Cl.**
USPC **D23/366**

(58) **Field of Classification Search**
USPC D23/355-369; D28/5, 6; 261/DIG. 17, 261/DIG. 42, DIG. 65, DIG. 88, DIG. 89; 392/386, 390, 394, 395; 239/34, 44, 239/53, 55, 56, 326, 60, 145
CPC A61L 00/00
See application file for complete search history.

(56) **References Cited**

U.S. PATENT DOCUMENTS

D48,769 S	3/1916	Albrecht
D62,876 S	1/1923	Boynton
D88,942 S	12/1932	Willheim
D96,114 S	5/1935	Hiedemann
D169,871 S	6/1953	Speer et al.

(Continued)

FOREIGN PATENT DOCUMENTS

AU	124558	9/1995
AU	127817	9/1996

(Continued)

Primary Examiner — Sandra Snapp

(57) **CLAIM**

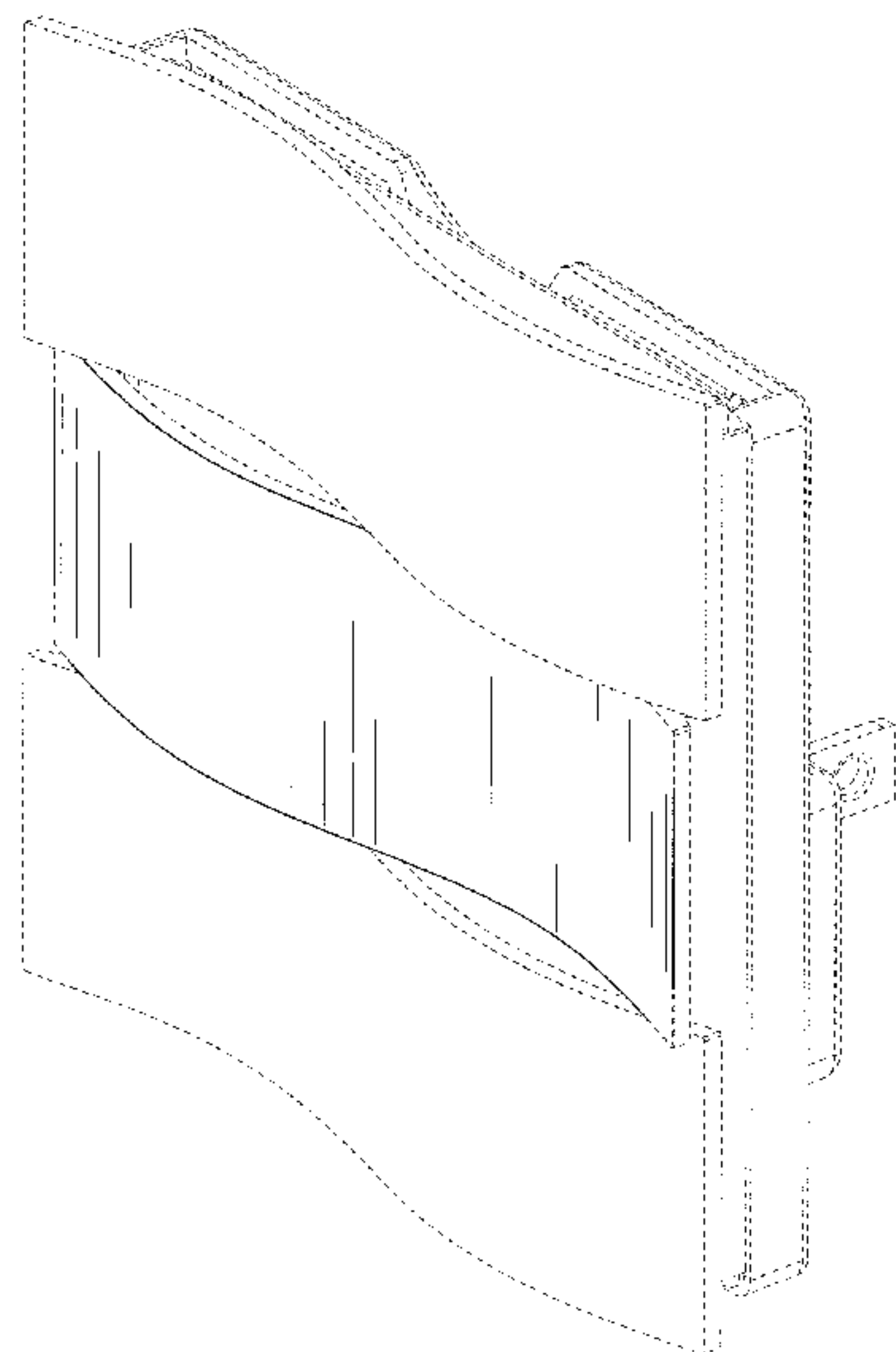
The ornamental design for a faceplate for a dispenser, as shown and described.

DESCRIPTION

FIG. 1 is an isometric view of a front, top, and left side of an ornamental design for a faceplate for a dispenser;
 FIG. 2 is a front elevational view of the faceplate for a dispenser of FIG. 1;
 FIG. 3 is a rear elevational view of the faceplate for a dispenser of FIG. 1;
 FIG. 4 is a left side elevational view of the faceplate for a dispenser of FIG. 1;
 FIG. 5 is a right side elevational view of the faceplate for a dispenser of FIG. 1;
 FIG. 6 is a top plan view of the faceplate for a dispenser of FIG. 1;
 FIG. 7 is a bottom plan view of the faceplate for a dispenser of FIG. 1;
 FIG. 8 is an isometric view of a front, top, and left side of another ornamental design for a faceplate for a dispenser;
 FIG. 9 is a front elevational view of the faceplate for a dispenser of FIG. 8;
 FIG. 10 is a rear elevational view of the faceplate for a dispenser of FIG. 8;
 FIG. 11 is a left side elevational view of the faceplate for a dispenser of FIG. 8;
 FIG. 12 is a right side elevational view of the faceplate for a dispenser of FIG. 8;
 FIG. 13 is a top plan view of the faceplate for a dispenser of FIG. 8; and,
 FIG. 14 is a bottom plan view of the faceplate for a dispenser of FIG. 8.

The broken lines are included for the purpose of illustrating environmental structure and form no part of the claimed design. The dash-dot-dash-dot broken lines shown in the drawings define the boundaries of the claimed design.

1 Claim, 10 Drawing Sheets



(56)

References Cited

U.S. PATENT DOCUMENTS

D246,319 S 11/1977 Rabussier et al.
 D247,573 S 3/1978 Schimanski
 D260,503 S 9/1981 Stangarone
 D262,138 S 12/1981 Bousgarbies et al.
 D262,652 S 1/1982 Jaeschke et al.
 D269,838 S 7/1983 Altonaga
 D271,359 S 11/1983 Le
 D275,223 S 8/1984 Marxen
 D275,700 S 9/1984 Marxen
 D279,146 S 6/1985 McCaffrey
 D288,003 S 1/1987 Hoyt
 D296,957 S 8/1988 Gordon et al.
 D305,703 S 1/1990 Wang
 D323,554 S 1/1992 Hoyt et al.
 D325,077 S 3/1992 Kearnes
 D339,238 S 9/1993 Hamilton
 D339,242 S 9/1993 Sontag et al.
 D346,068 S 4/1994 White
 D346,856 S 5/1994 Kany
 D349,157 S 7/1994 Rymer
 D354,627 S 1/1995 Rowan
 D358,037 S 5/1995 Monroe
 D360,461 S 7/1995 Gillespie
 D361,896 S 9/1995 Bramley et al.
 5,478,505 A * 12/1995 McElfresh et al. 261/30
 D366,107 S 1/1996 Shaffer
 D366,521 S 1/1996 Wijaranakula
 D369,473 S 5/1996 Gluck
 5,522,008 A 5/1996 Bernard
 5,527,493 A 6/1996 McElfresh et al.
 D372,797 S 8/1996 Ilaria et al.
 D374,713 S 10/1996 Ford et al.
 D374,777 S 10/1996 Agam
 D376,002 S 11/1996 Upson
 D376,420 S 12/1996 Rymer
 D376,914 S 12/1996 Waszkiewicz, III
 D377,213 S 1/1997 Wang
 5,603,455 A 2/1997 Lin
 D379,853 S 6/1997 Long et al.
 D380,822 S 7/1997 Decker et al.
 D383,613 S 9/1997 Handler
 D384,408 S 9/1997 Foreman
 D384,821 S 10/1997 Sugar
 D385,025 S * 10/1997 Ho D23/367
 D392,031 S 3/1998 Miller
 D395,705 S 6/1998 Ediger et al.
 D396,275 S 7/1998 Pearson
 D399,298 S 10/1998 Whitehead
 D401,767 S 12/1998 Leung
 D402,746 S 12/1998 Clark et al.
 D405,473 S 2/1999 Tikhonski et al.
 D405,961 S 2/1999 Stangl et al.
 D407,477 S 3/1999 Chen
 D407,809 S 4/1999 Hammond
 D411,001 S 6/1999 Pinchuk
 D414,656 S 10/1999 Richmond
 D424,812 S 5/2000 Kacius
 D431,075 S 9/2000 Barraclough
 6,123,935 A 9/2000 Wefler et al.
 D435,097 S 12/2000 Huang
 D435,100 S 12/2000 Pesu et al.
 D437,404 S 2/2001 Wu
 D438,607 S 3/2001 Edwards et al.
 D439,964 S 4/2001 Wu
 D441,441 S 5/2001 Upson
 D445,262 S 7/2001 Rowan
 D456,070 S 4/2002 Garman
 D456,620 S 5/2002 Vincent
 D456,886 S 5/2002 Hart et al.
 D456,888 S 5/2002 Buthier
 D457,230 S 5/2002 Huang
 D461,006 S 7/2002 Buthier
 D461,393 S 8/2002 Aubert Capella
 D465,567 S 11/2002 Choi
 D466,204 S 11/2002 Wolpert et al.

D466,205 S 11/2002 Garcia
 D468,033 S 12/2002 Warren et al.
 D476,726 S 7/2003 Rosenberg
 D479,742 S 9/2003 Hollingsworth
 D480,221 S 10/2003 Luciano
 D481,113 S 10/2003 Groene et al.
 6,631,852 B1 10/2003 O'Leary
 D481,785 S 11/2003 Koike
 D485,341 S 1/2004 Wu
 D485,607 S 1/2004 Wu
 D487,308 S 3/2004 Engerant
 D488,622 S 4/2004 Dwiggin
 D492,400 S 6/2004 Smith et al.
 D498,524 S 11/2004 Morillas
 D498,525 S 11/2004 Harbutt et al.
 D498,526 S 11/2004 Emrich
 D498,836 S 11/2004 Morillas
 D503,974 S 4/2005 Morillas
 D504,500 S 4/2005 Morillas
 D508,285 S 8/2005 Velicescu
 D508,559 S * 8/2005 Spiegel et al. D23/366
 D509,894 S 9/2005 Hoyt et al.
 D515,681 S 2/2006 Muir et al.
 D516,689 S 3/2006 Salmon et al.
 D518,964 S 4/2006 Carter et al.
 D520,130 S 5/2006 Miró
 D521,621 S 5/2006 Slater
 D522,640 S 6/2006 Miró
 D528,309 S 9/2006 Schwind
 D541,054 S 4/2007 Schwind
 D548,827 S 8/2007 Pivert et al.
 D552,225 S 10/2007 Borovicka et al.
 D555,478 S 11/2007 Miller et al.
 D558,870 S 1/2008 Triplett et al.
 D561,887 S 2/2008 Friedman et al.
 D573,241 S 7/2008 Chiu
 D573,706 S 7/2008 Zlotnik et al.
 D577,427 S 9/2008 Spiegel
 D578,197 S 10/2008 Spiegel
 D581,677 S 12/2008 Yeh
 D590,141 S 4/2009 McClaskie
 D600,788 S 9/2009 Campbell et al.
 D603,949 S 11/2009 Campbell et al.
 D606,185 S 12/2009 Wefler et al.
 D608,433 S 1/2010 Murai et al.
 D609,321 S 2/2010 Tomasulo et al.
 D616,740 S 6/2010 Akers et al.
 D631,146 S 1/2011 Shu et al.
 D723,150 S * 2/2015 Furner et al. D23/366

FOREIGN PATENT DOCUMENTS

AU 128464 10/1996
 AU 128465 10/1996
 AU 132238 11/1997
 AU 133431 4/1998
 AU 138445 9/1999
 AU 139593 1/2000
 AU 144711 8/2001
 AU 144970 8/2001
 AU 144983 8/2001
 AU 150220 1/2003
 AU 151264 3/2003
 AU 152330 7/2003
 AU 152331 7/2003
 AU 152332 7/2003
 AU 153589 11/2003
 AU 154829 3/2004
 AU 155668 6/2004
 AU 300248 11/2004
 AU 300600 2/2005
 AU 301146 3/2005
 AU 309626 9/2006
 AU 309627 9/2006
 AU 309737 9/2006
 AU 311260 11/2006
 AU 315944 9/2007
 AU 315945 9/2007
 AU 315946 9/2007

(56)

References Cited

FOREIGN PATENT DOCUMENTS

AU	318723	4/2008
AU	326307	6/2009
AU	329139	1/2010
AU	332678	9/2010
AU	332679	9/2010
AU	332682	9/2010
AU	333047	9/2010
DE	M9506278-0001	1/1996
DE	M9705311-0001	11/1997
DE	40104057-0001	1/2002
DE	40104057-0002	1/2002
DE	40104057-0003	1/2002
DE	40104057-0004	1/2002
DE	40302332-0001	9/2003
DE	40302332-0002	9/2003
DE	40302332-0003	9/2003
DE	40302332-0004	9/2003
DE	40302332-0005	9/2003
DE	40302332-0006	9/2003
DE	40302332-0007	9/2003
DE	40302332-0008	9/2003
DE	40302332-0009	9/2003
DE	40302332-0010	9/2003
DE	40302332-0011	9/2003
DE	40302332-0012	9/2003
DE	40302332-0013	9/2003
DE	40302332-0014	9/2003
EM	000205661-0001	10/2004
EM	000358940-0004	8/2005

EM	000820352-0001	11/2007
EM	000820352-0002	11/2007
EM	000820352-0003	11/2007
EM	000820352-0004	11/2007
EM	000820352-0005	11/2007
EM	000834726-0001	2/2008
EM	001642026-0001	12/2009
EM	001740572-0005	10/2010
EM	001740572-0008	10/2010
FR	973411-001	10/1997
FR	005700-001	3/2001
FR	005700-002	3/2001
FR	005700-003	3/2001
GB	2028376	1/1994
GB	2045032	6/1995
GB	2043826	7/1995
GB	2083911	9/1999
GB	2083912	9/1999
GB	2100214	9/2000
GB	3007055	9/2003
JP	1079079	7/2000
JP	1131488	1/2002
JP	1154856	10/2002
JP	1212383	7/2004
JP	1230282	2/2005
KR	30-0202619-0000	7/1997
KR	30-0381782-0000	5/2005
WO	DM-050034	2/2000
WO	DM-054925	3/2001
WO	WO 02-078750	10/2002
WO	DM-066131	6/2005

* cited by examiner

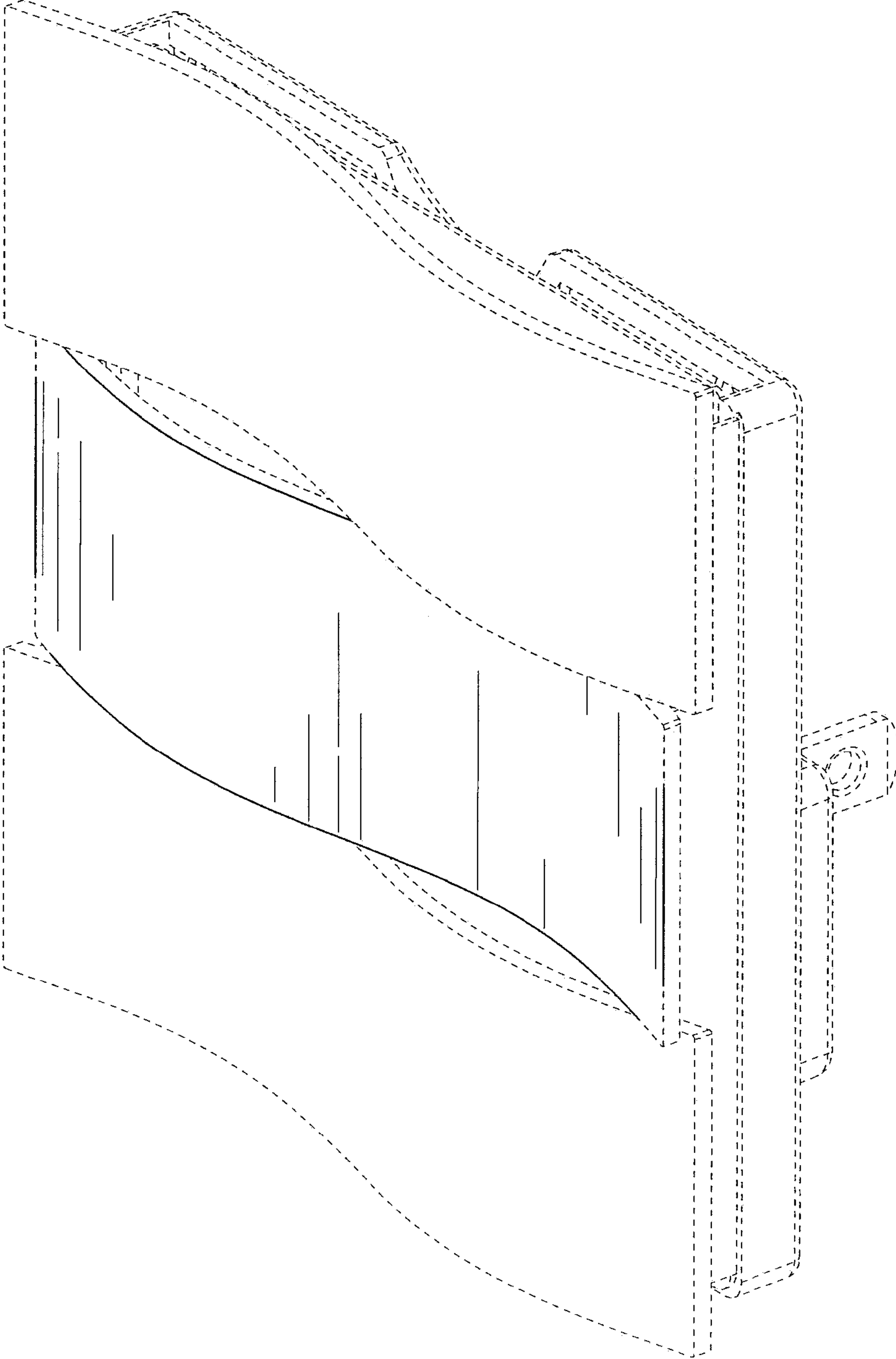


FIG. 1

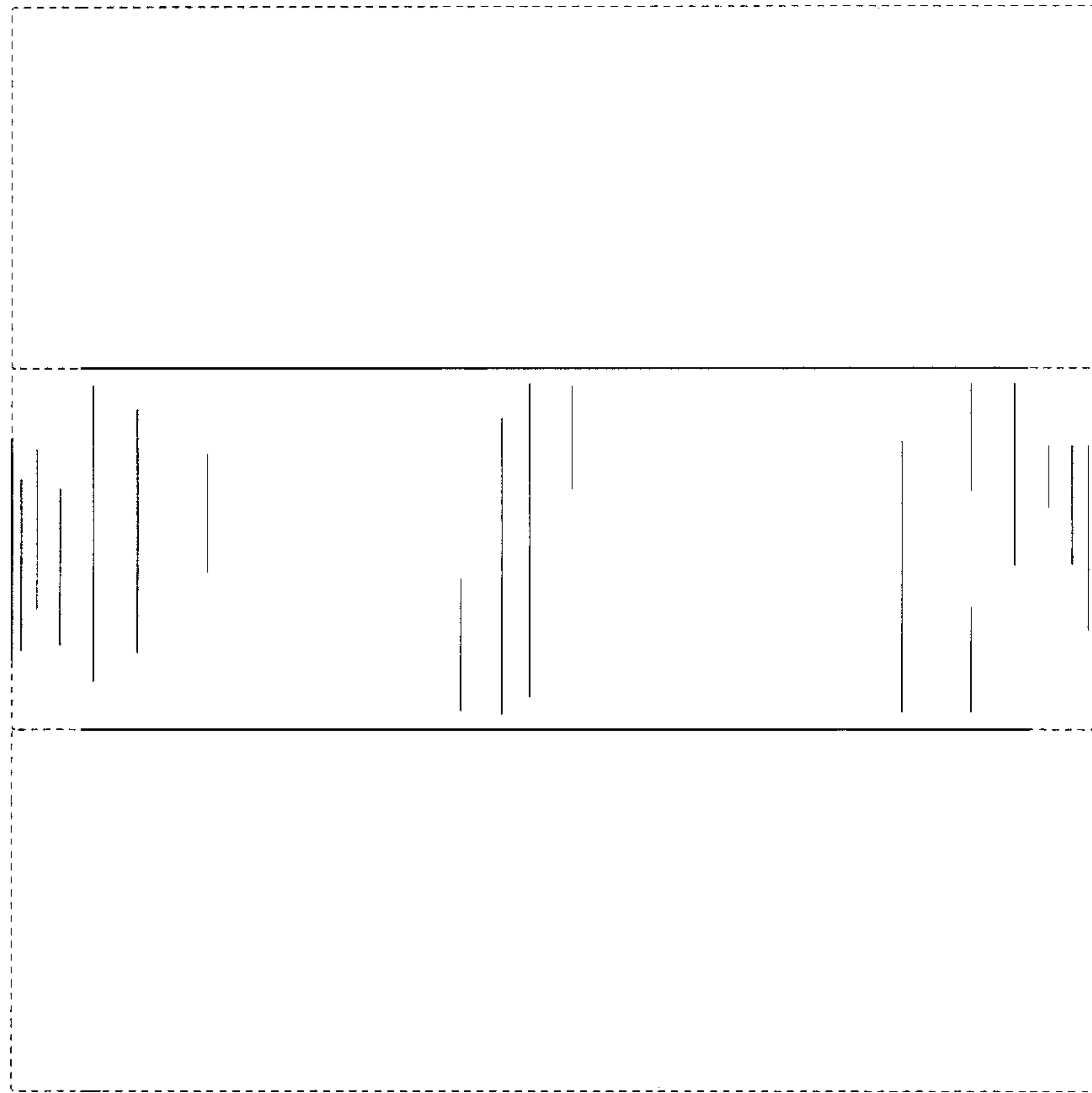


FIG. 2

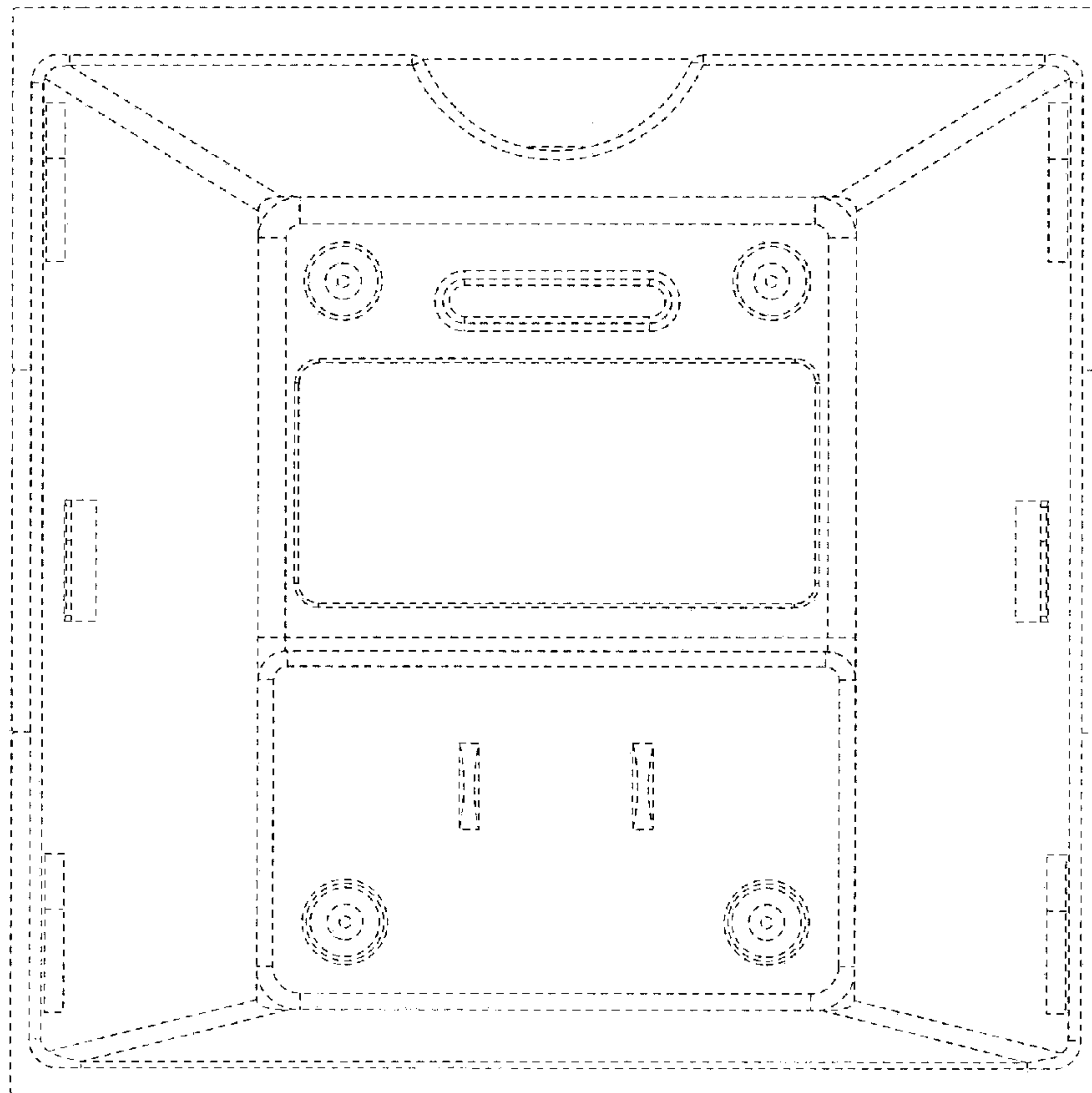


FIG. 3

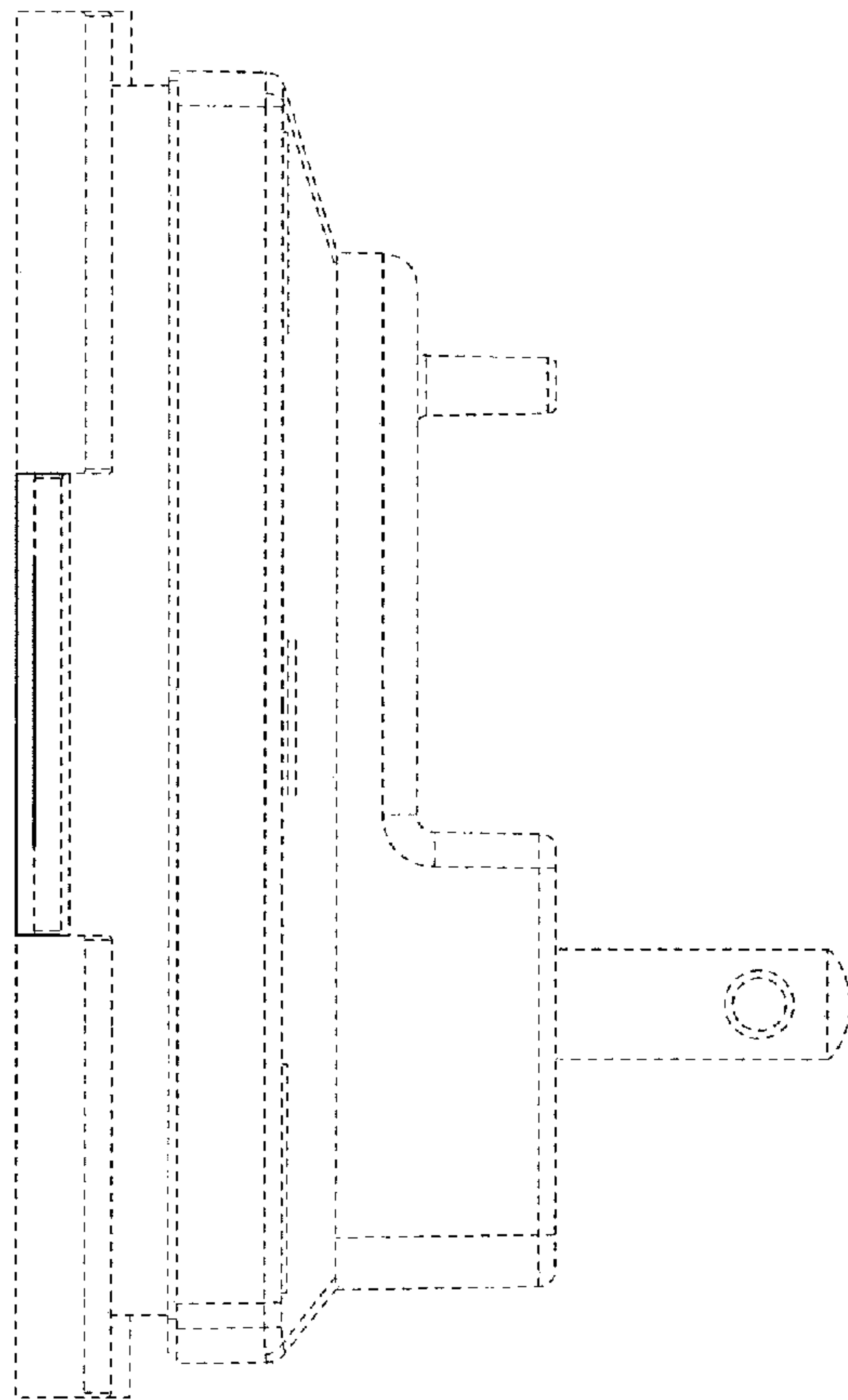


FIG. 4

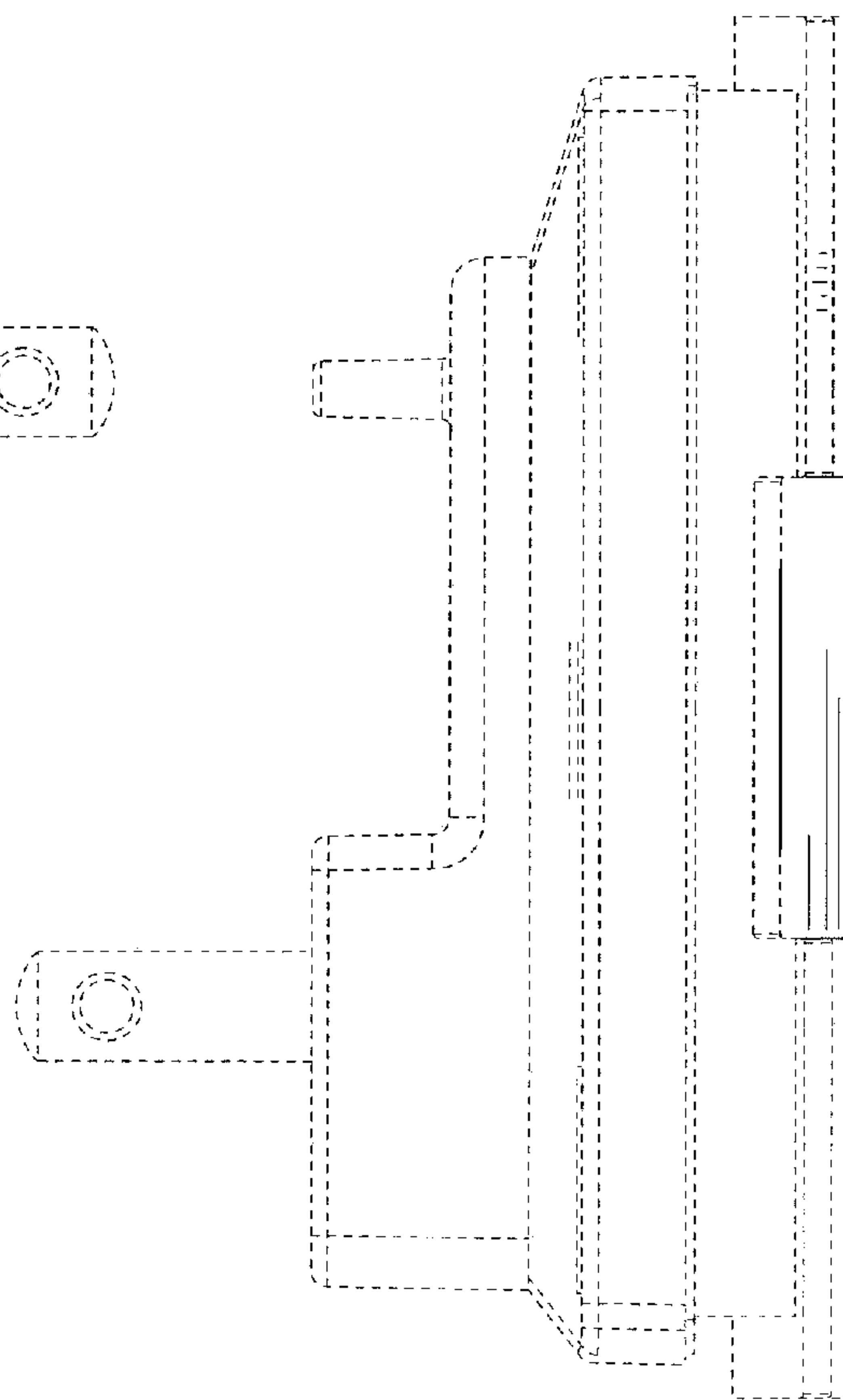


FIG. 5

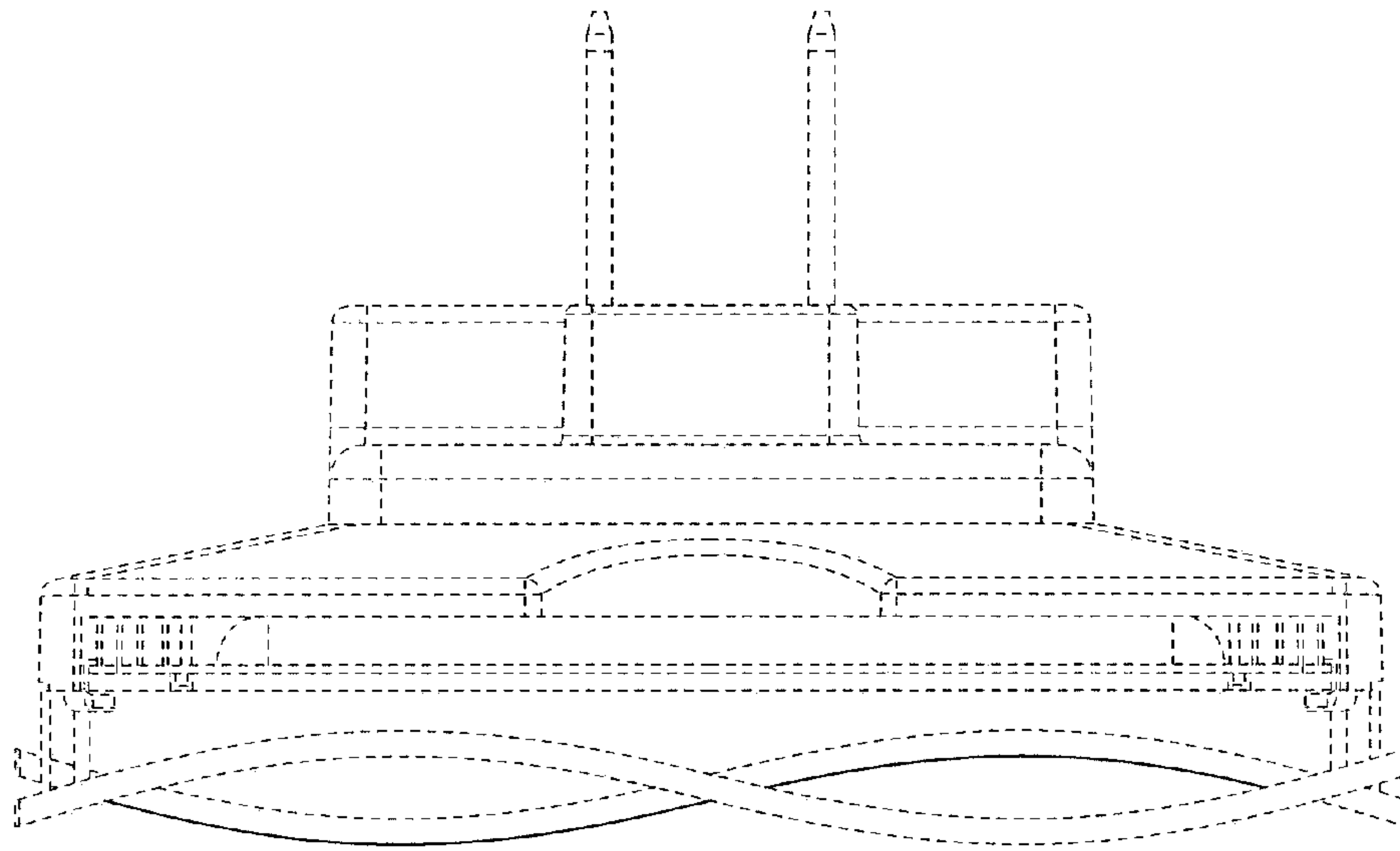


FIG. 6

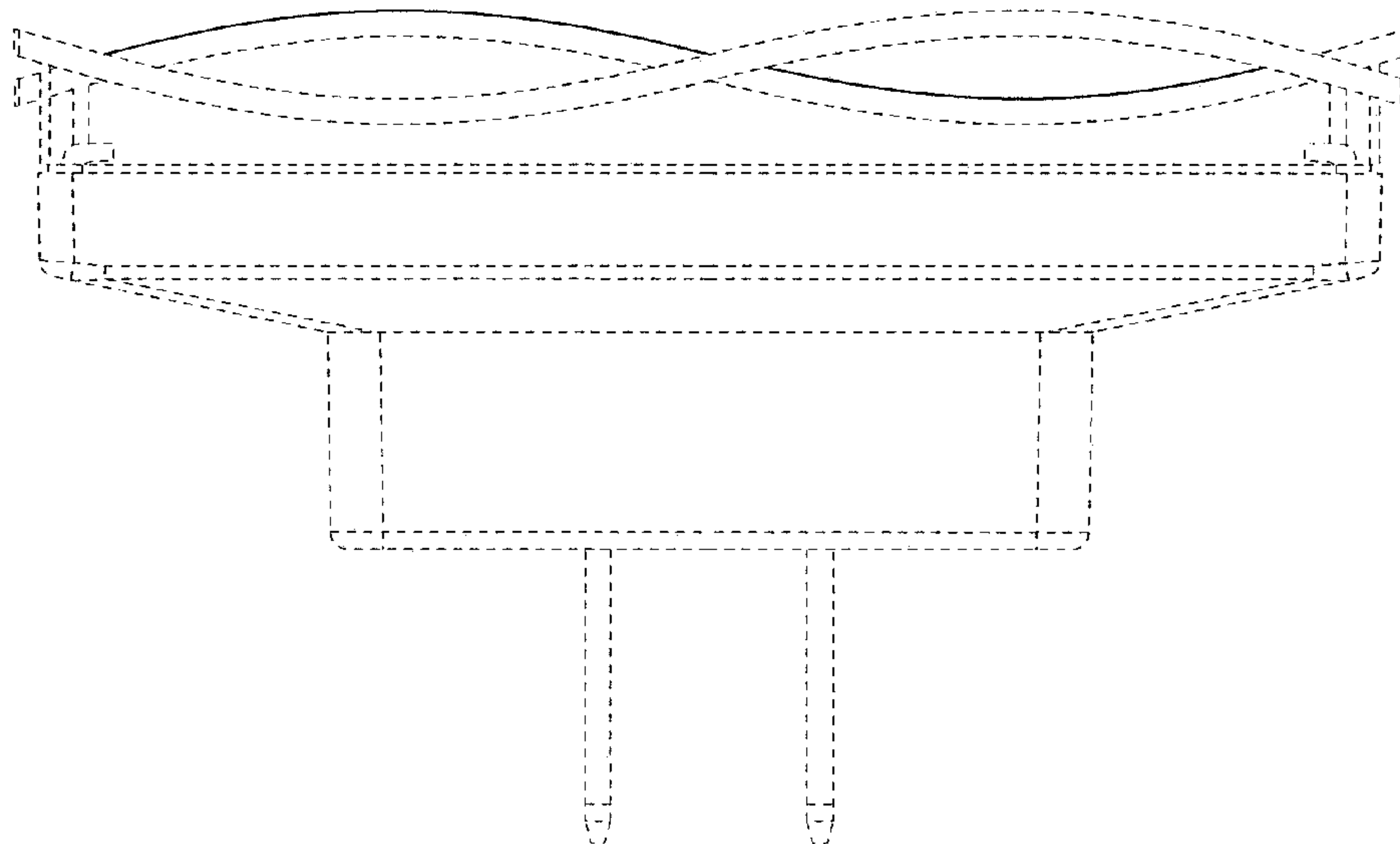


FIG. 7

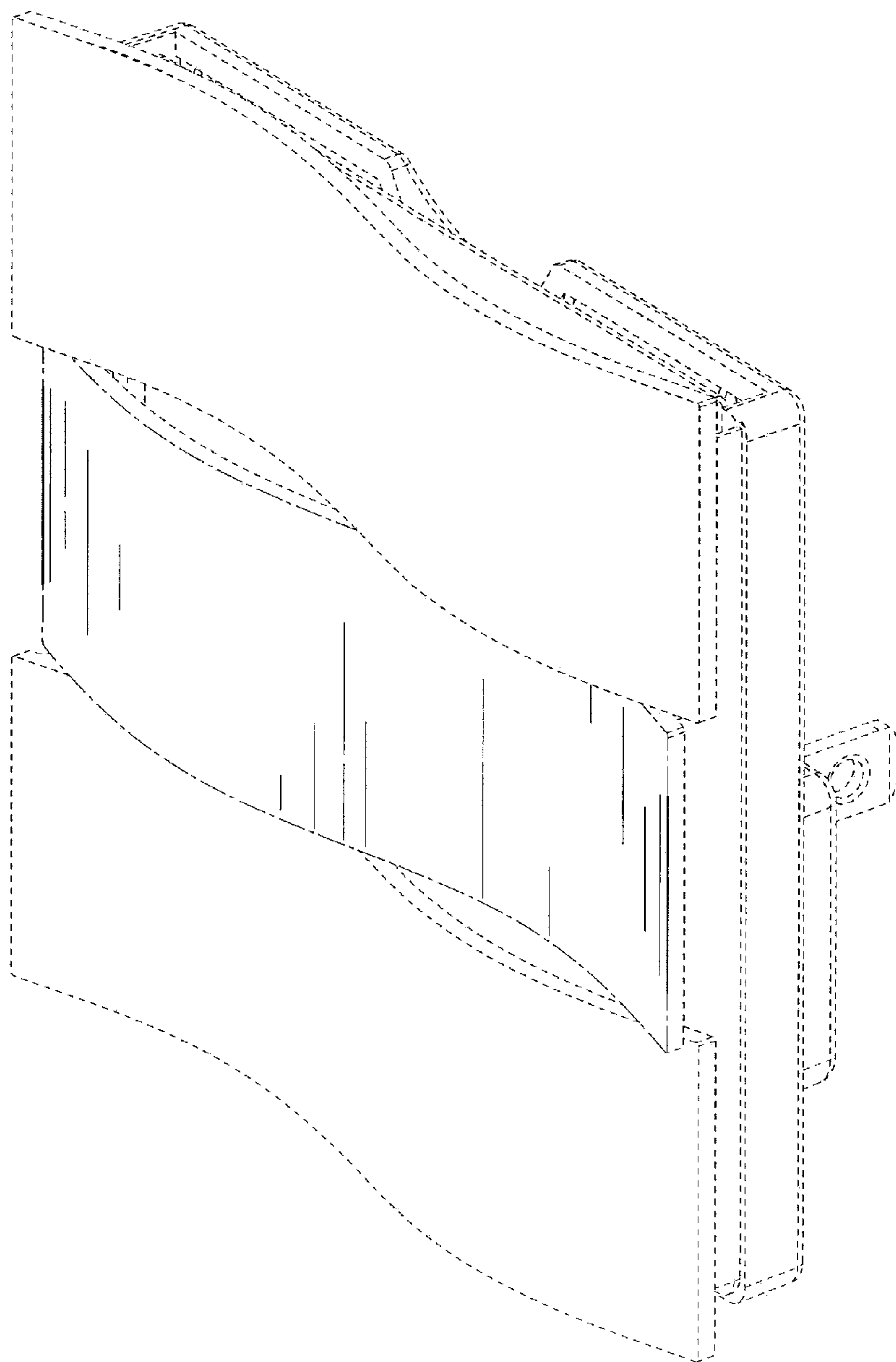


FIG. 8

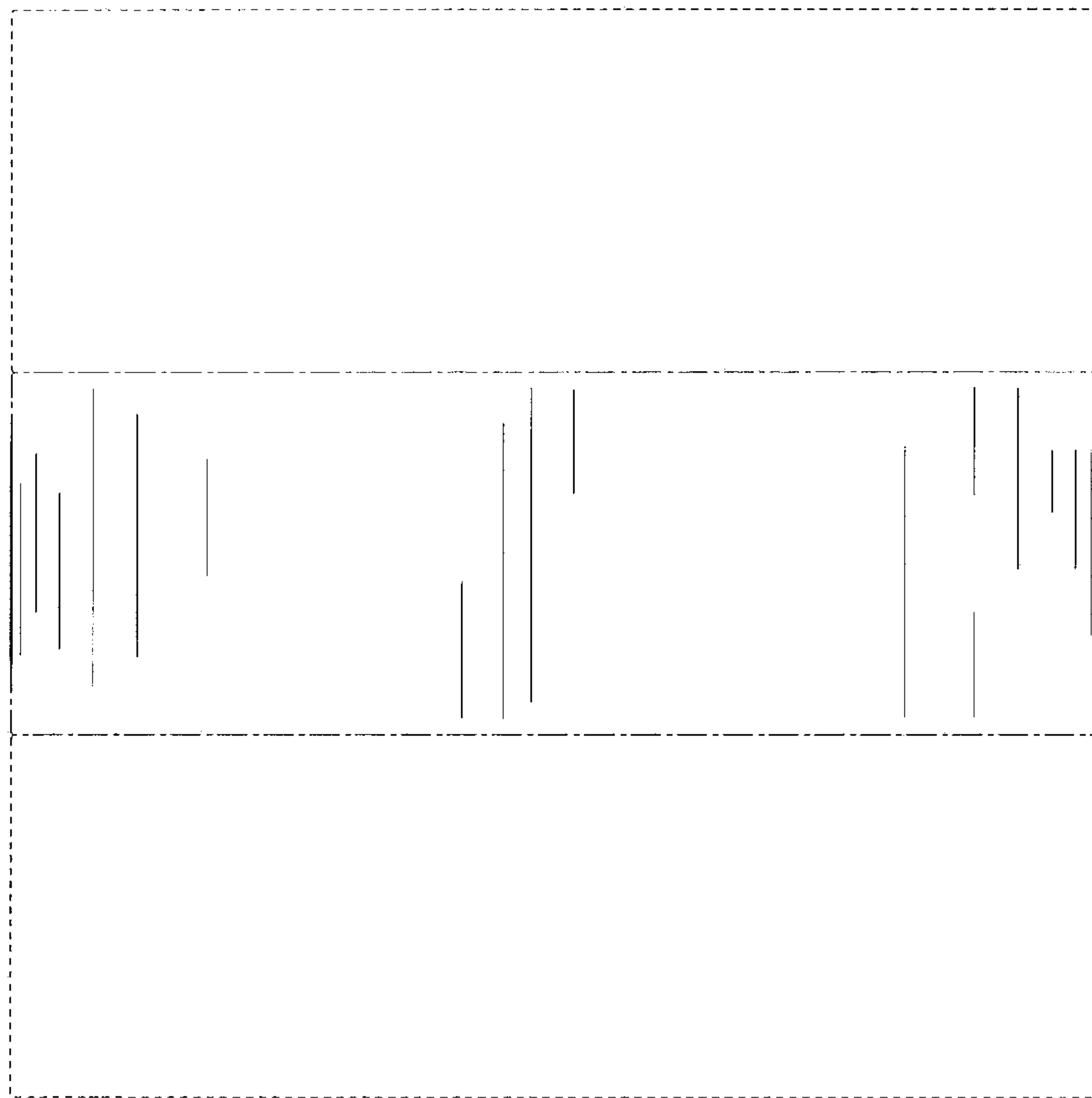


FIG. 9

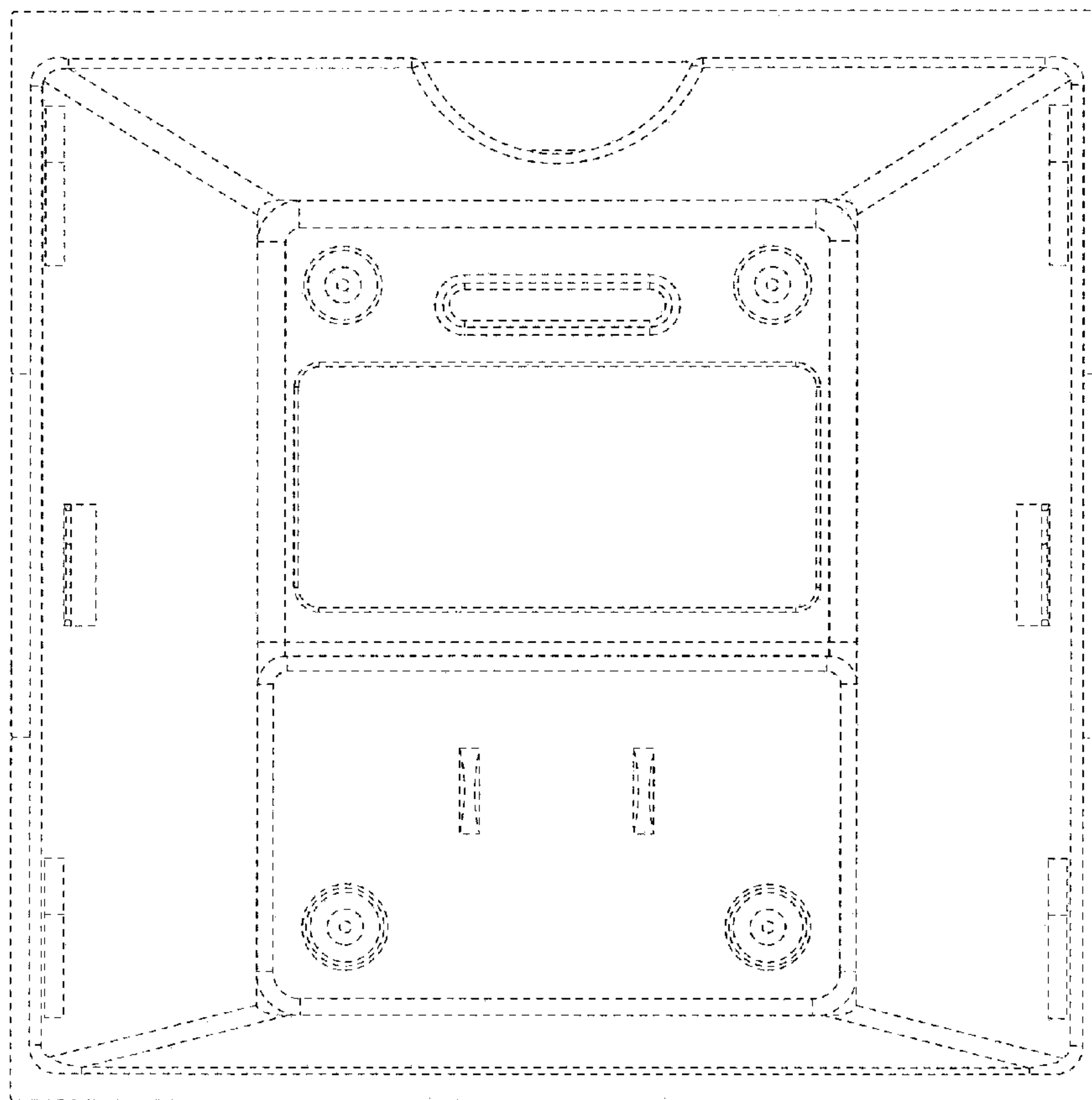


FIG. 10

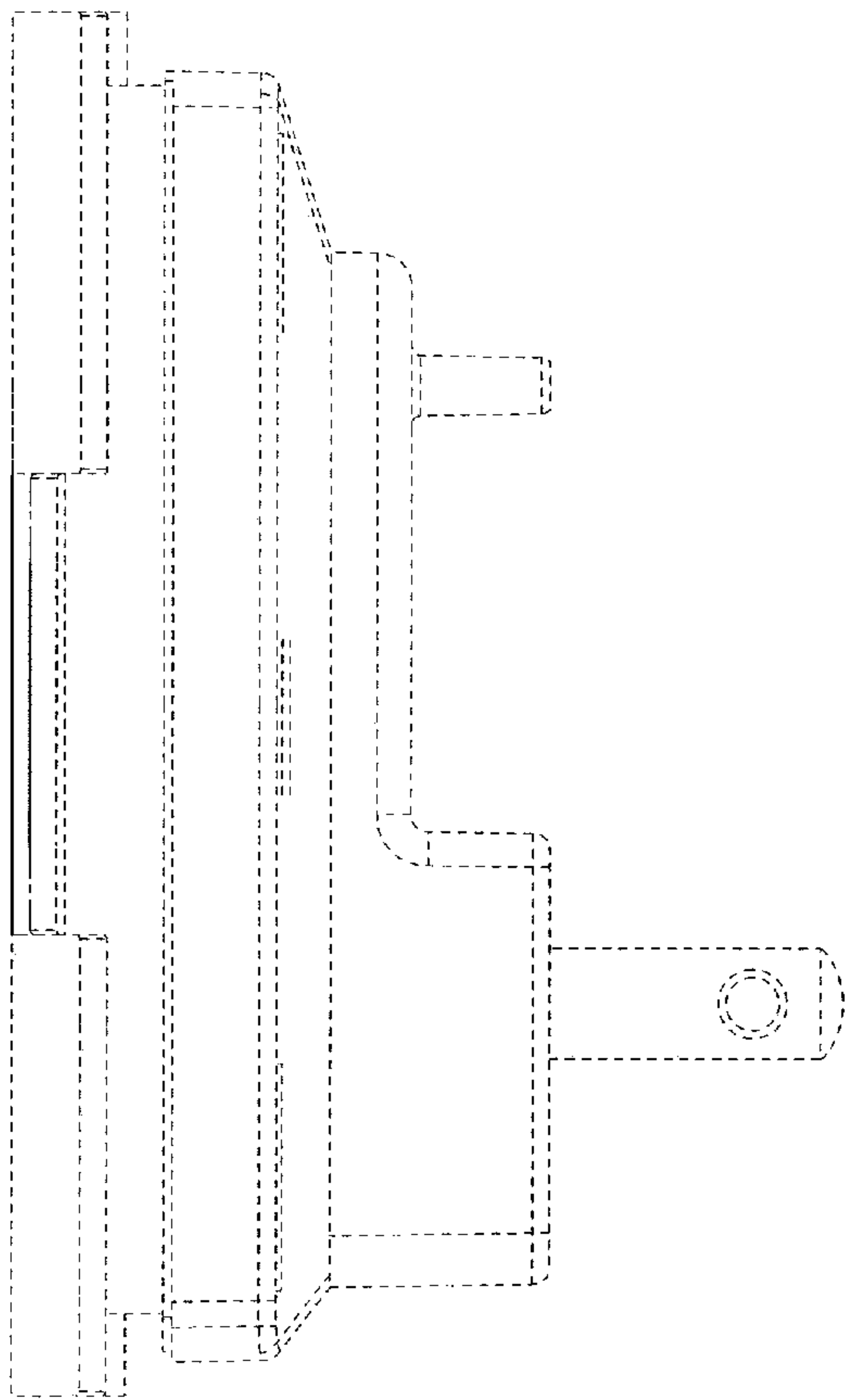


FIG. 11

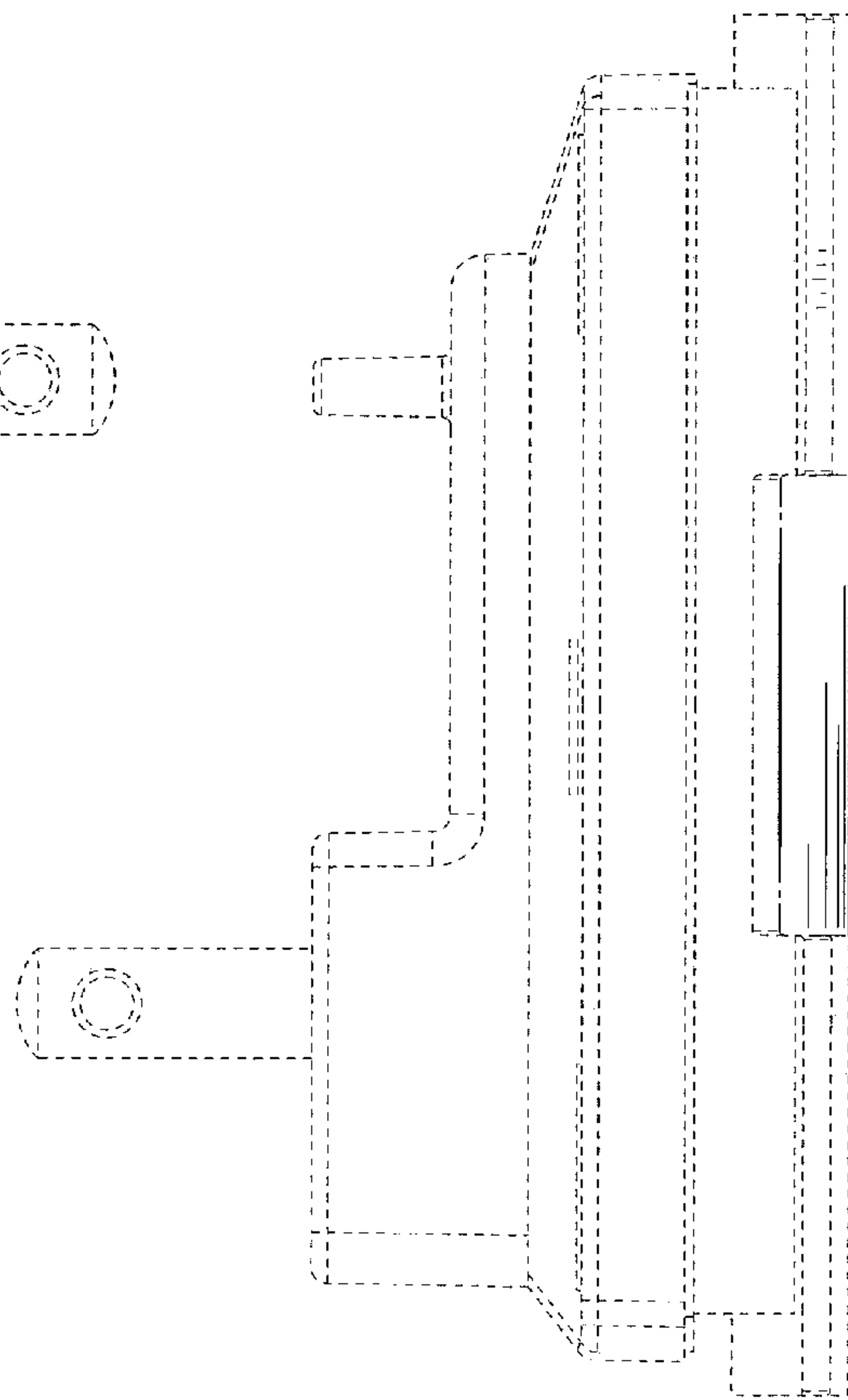


FIG. 12

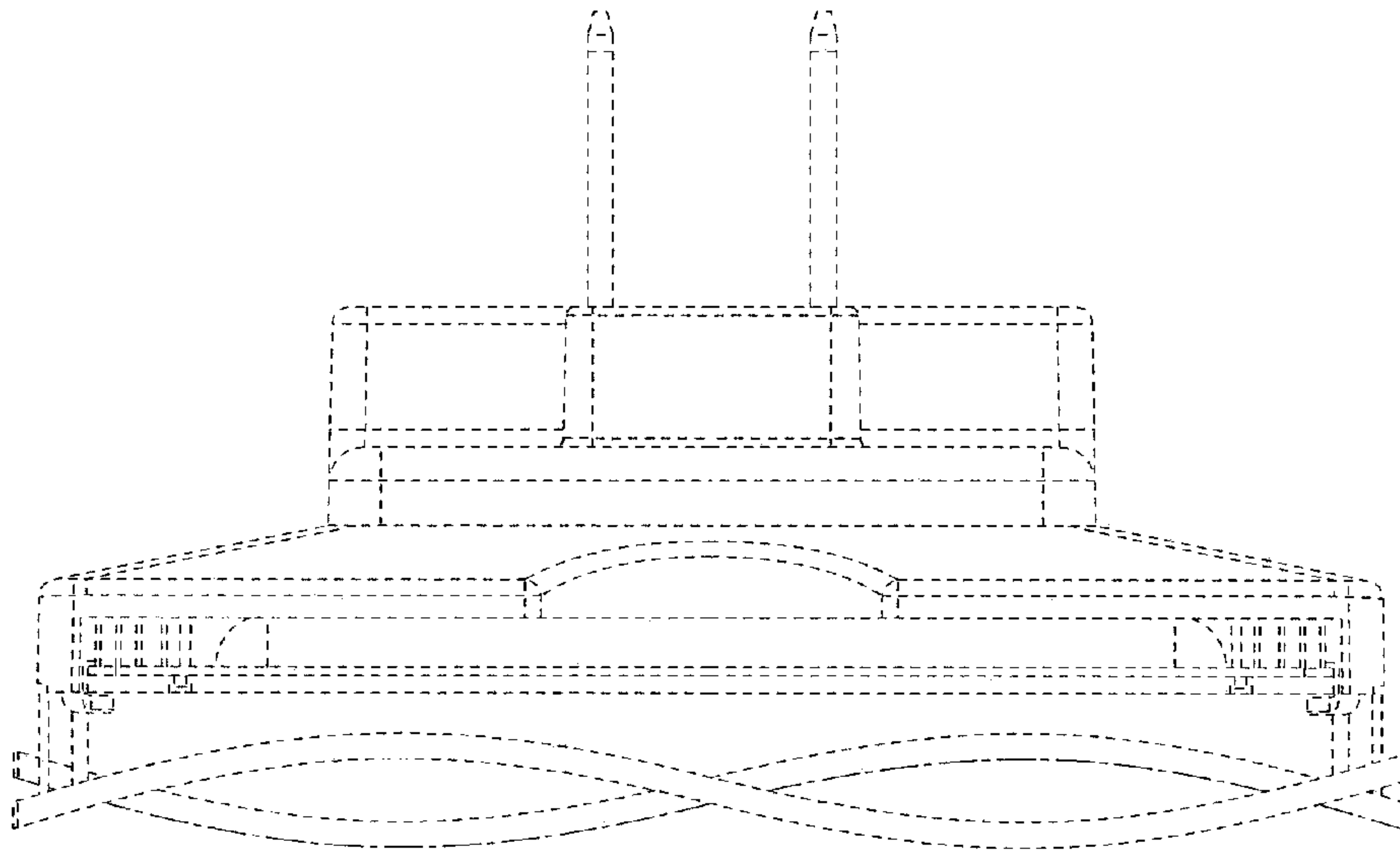


FIG. 13

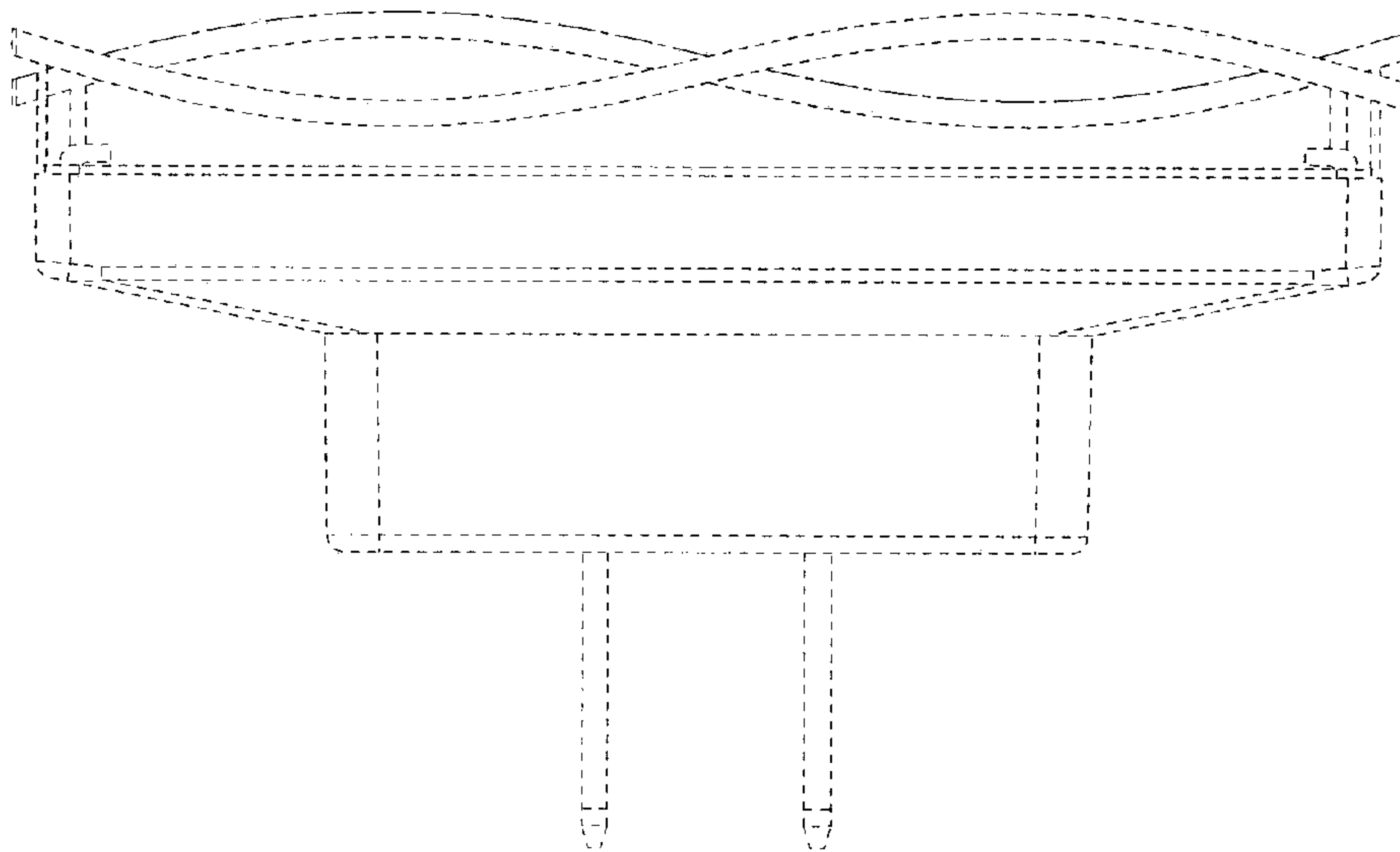


FIG. 14