



US00D746424S

(12) **United States Design Patent**
Takahashi et al.

(10) **Patent No.:** **US D746,424 S**

(45) **Date of Patent:** **** Dec. 29, 2015**

(54) **ROOF FOR POWER CONDITIONING
SUBSYSTEM**

(71) Applicants: **Toshiba Mitsubishi-Electric Industrial
Systems Corporation**, Chuo-ku, Tokyo
(JP); **Yagyu Rubber Co., Ltd.**, Nagoya,
Aichi (JP)

(72) Inventors: **Nobuhiro Takahashi**, Tokyo (JP);
Takahiro Yagyu, Nagoya (JP); **Kinsaku
Harada**, Nagoya (JP)

(73) Assignee: **Toshiba Mitsubishi-Electric Industrial
Systems Corporation**, Tokyo (JP)

(**) Term: **14 Years**

(21) Appl. No.: **29/485,599**

(22) Filed: **Mar. 20, 2014**

(30) **Foreign Application Priority Data**

Sep. 26, 2013 (JP) 2013-022305

(51) **LOC (10) Cl.** **23-04**

(52) **U.S. Cl.**
USPC **D23/354; D23/373; D13/123**

(58) **Field of Classification Search**
USPC D23/314, 317, 324, 328, 329, 330, 332,
D23/333, 335, 341, 342, 351, 353, 354, 355,
D23/356, 359, 364, 365, 370, 373, 385, 386,
D23/388, 393; 62/259.1, 259.4, 262, 263,
62/304; 312/236; 454/330, 331, 349, 350;
D13/123, 184
CPC F24F 1/00; F24F 1/56; F24F 1/58;
F24F 1/60; F24F 7/00; F24F 7/02; F24F 7/04;
F24F 2203/1012; F24F 13/00; F24F 13/20;
F24F 13/08; F24F 13/32

See application file for complete search history.

(56) **References Cited**

U.S. PATENT DOCUMENTS

2,963,956 A * 12/1960 Hill 454/352
3,079,853 A * 3/1963 Smith D23/373

(Continued)

Primary Examiner — Jeffrey D Asch

Assistant Examiner — Natasha Vujcic

(74) *Attorney, Agent, or Firm* — Finnegan, Henderson,
Farabow, Garrett & Dunner, LLP

(57) **CLAIM**

The ornamental design for a roof for power conditioning
subsystem, as shown and described.

DESCRIPTION

FIG. 1 is a perspective view viewed from a top side of a roof
for power conditioning subsystem showing our new design;
FIG. 2 is a perspective view viewed from a bottom side
thereof;

FIG. 3 is a front elevation view thereof;

FIG. 4 is a rear elevation view thereof;

FIG. 5 is a right side elevation view thereof; the left side
elevation view being a mirror image thereof;

FIG. 6 is a top plan view thereof;

FIG. 7 is a bottom plan view thereof;

FIG. 8 is a sectional view taken along line 8-8 in FIG. 3;

FIG. 9 is a sectional view taken along line 9-9 in FIG. 6;

FIG. 10 is an enlarged view taken along line 10-10 in FIG. 8;

FIG. 11 is an enlarged view taken along line 11-11 in FIG. 8;

FIG. 12 is an enlarged view taken along lines 12-12 and
12'-12' in FIG. 9;

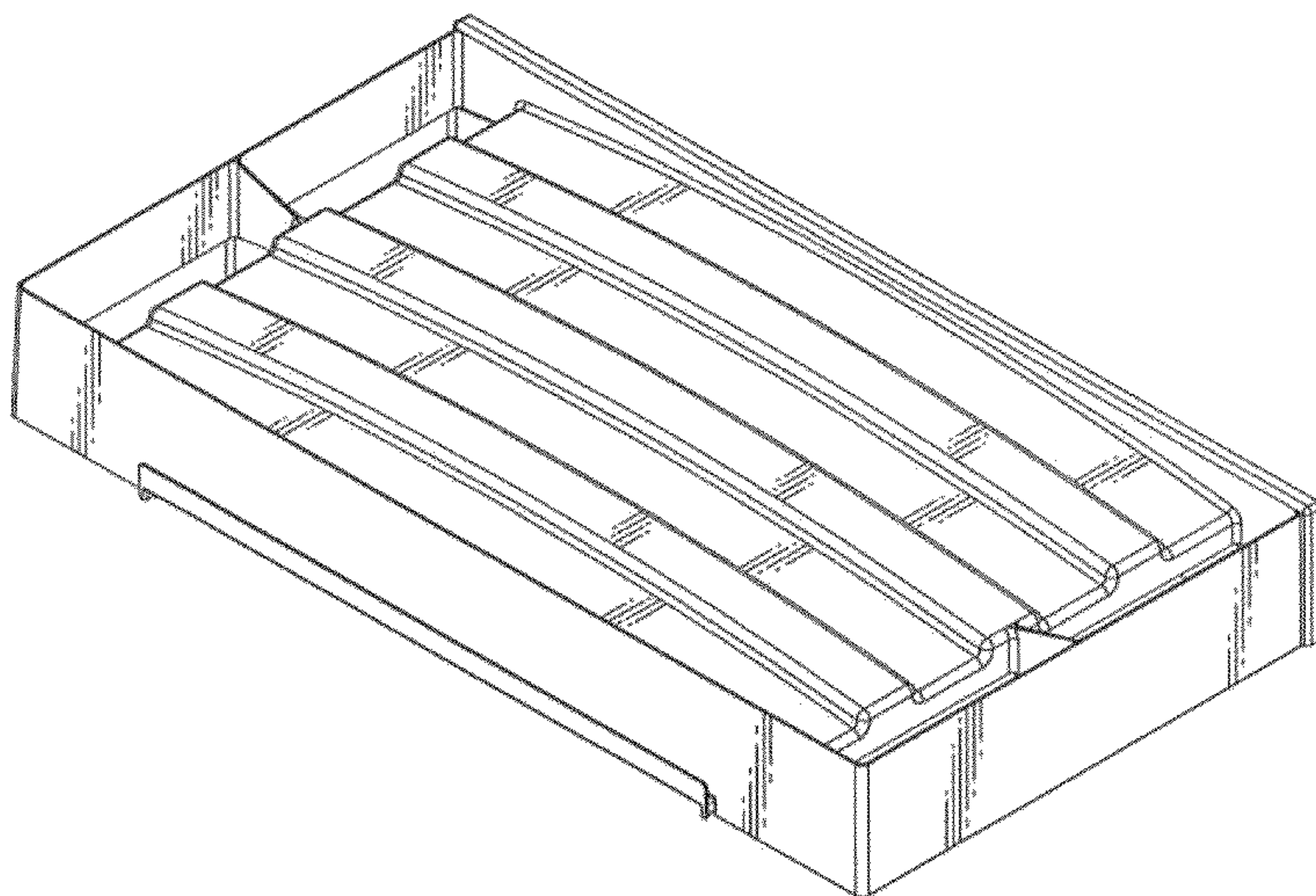
FIG. 13 is an enlarged view taken along line 13-13 in FIG. 9;

FIG. 14 is a perspective view showing our claimed design in
a position of use; and,

FIG. 15 is another perspective view showing our claimed
design in a position of use.

The portions of the drawings in broken lines are environment
and the elements depicted in broken lines form no part of the
claimed design.

1 Claim, 7 Drawing Sheets



(56)

References Cited

U.S. PATENT DOCUMENTS

D312,125 S * 11/1990 Epner et al. D23/386
D323,209 S * 1/1992 Fukumoto et al. D23/351
D331,458 S * 12/1992 Saito et al. D23/351
D425,974 S * 5/2000 Esty et al. D23/354

D469,173 S * 1/2003 Kawanori et al. D23/351
D503,790 S * 4/2005 Dodge et al. D23/393
D588,256 S * 3/2009 Daniels D23/373
D667,945 S * 9/2012 Irmer et al. D23/373
D703,305 S * 4/2014 Stollenwerk O'Hagin .. D23/373

* cited by examiner

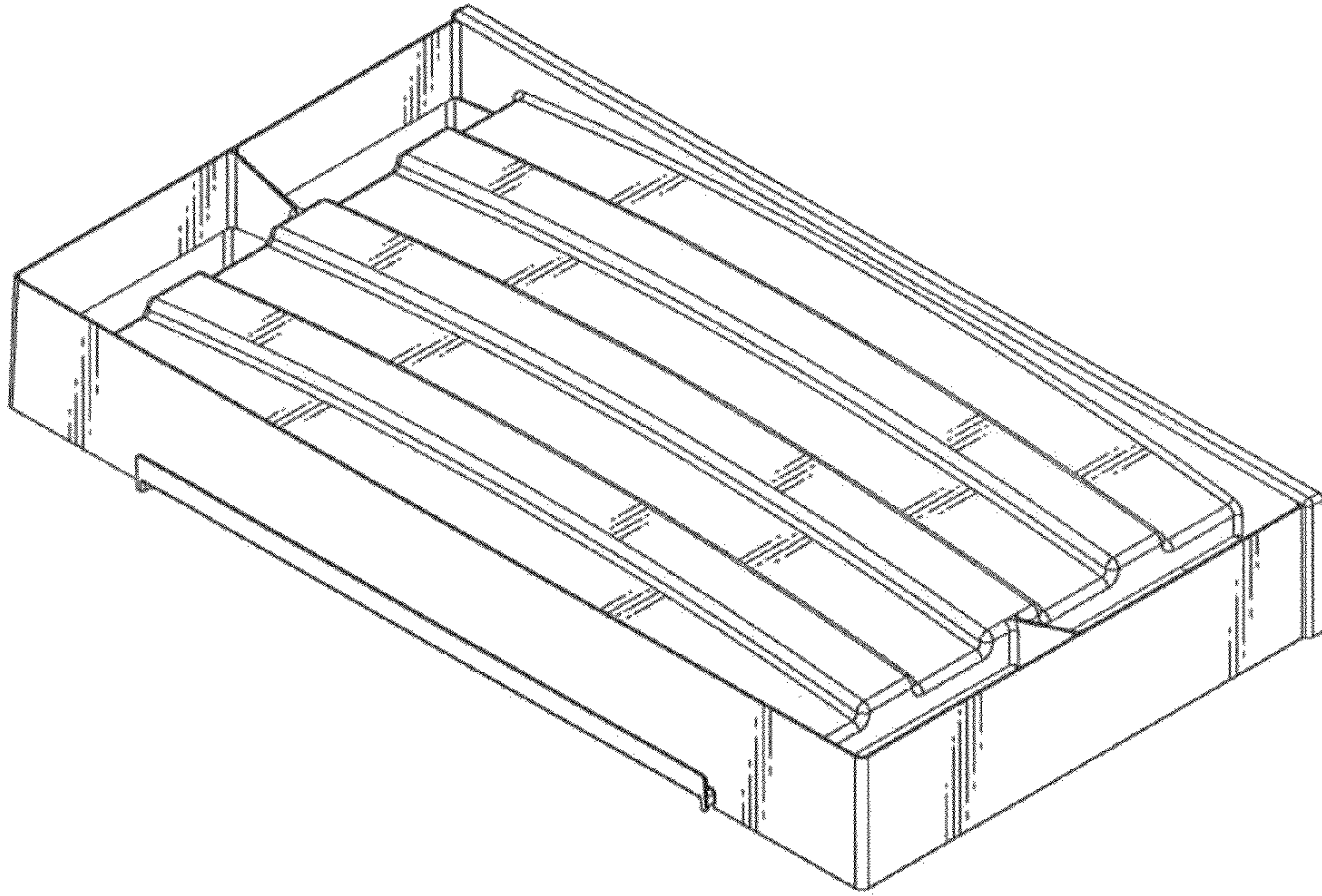


FIG. 1

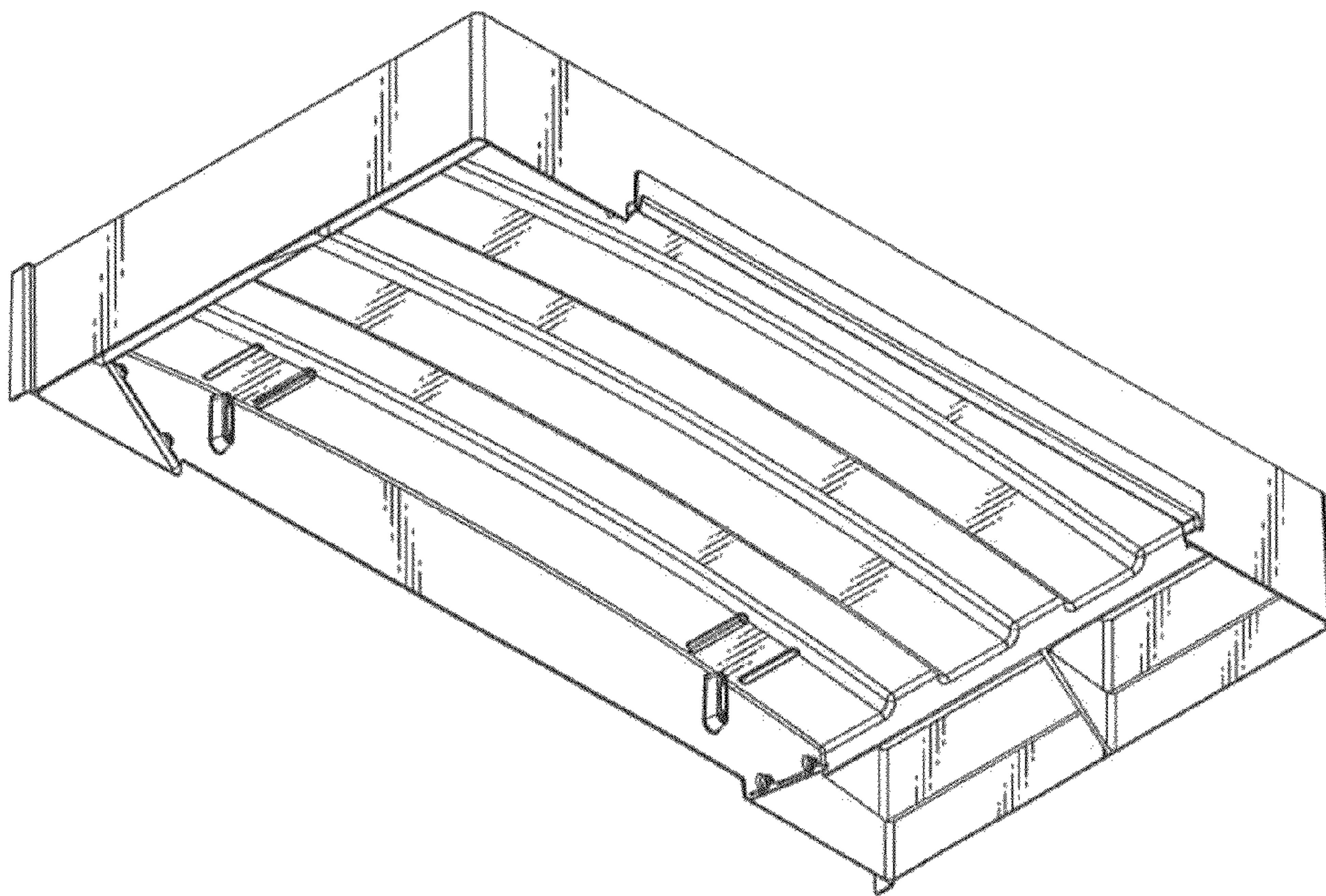
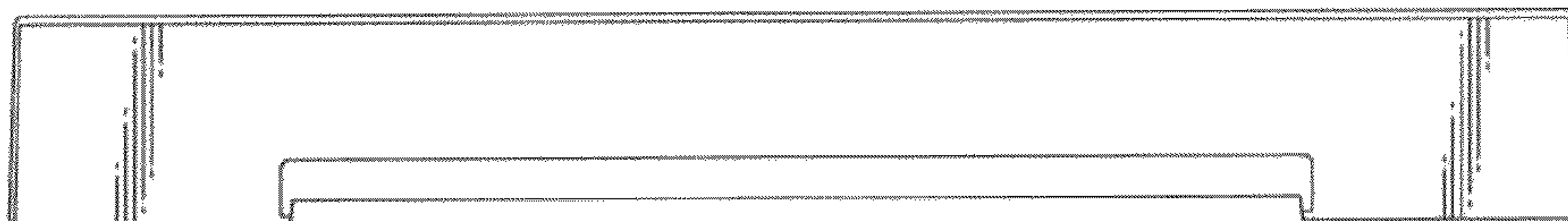


FIG. 2

8



8

FIG. 3

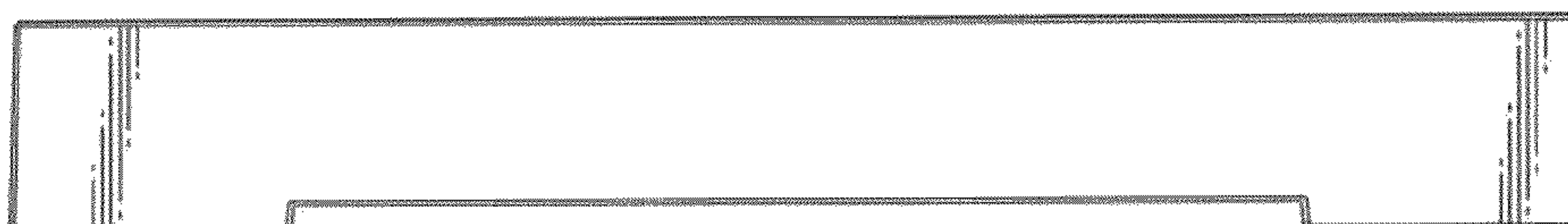


FIG. 4

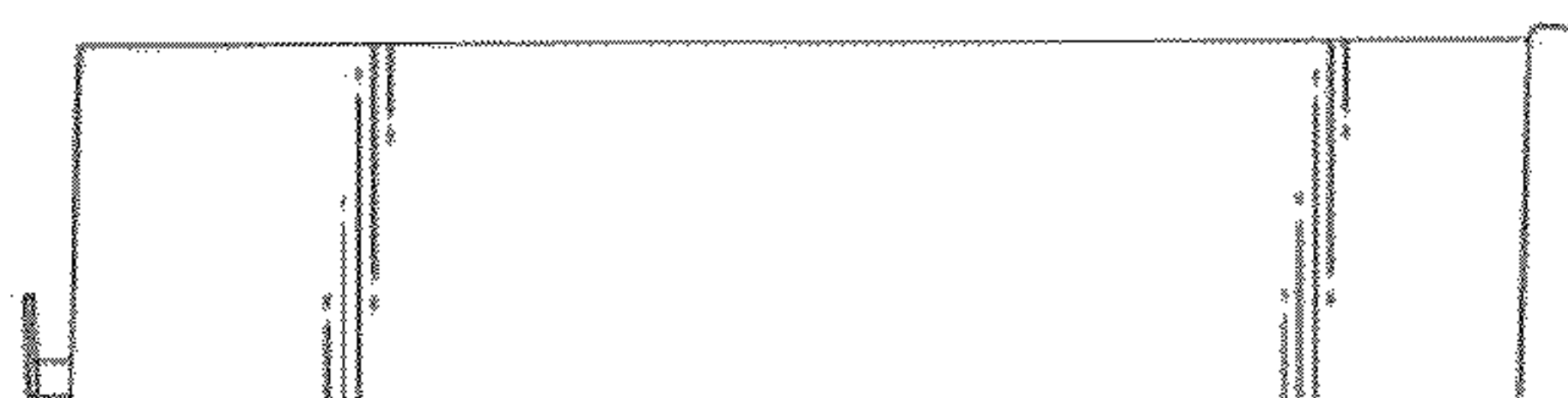


FIG. 5

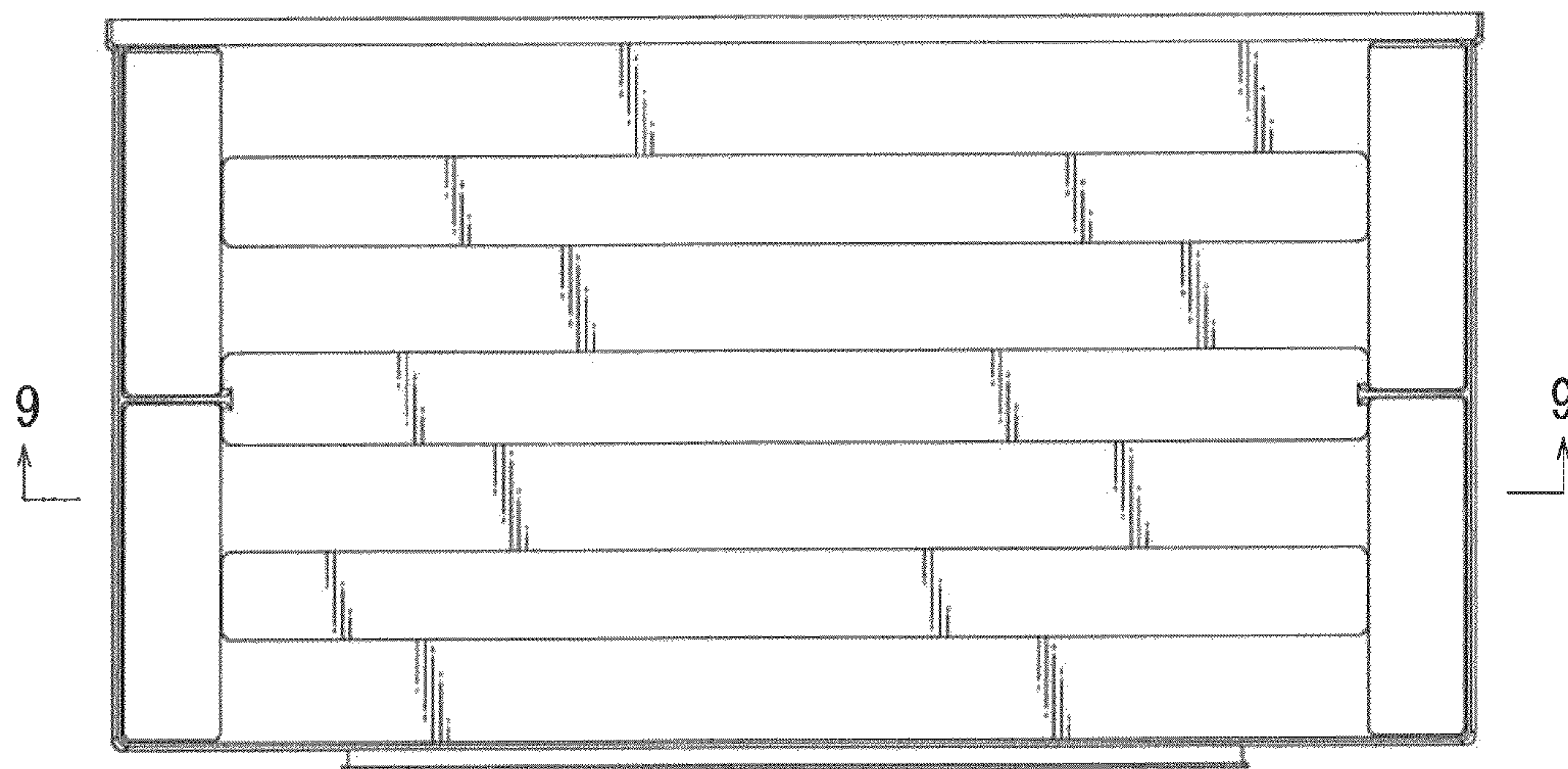


FIG. 6

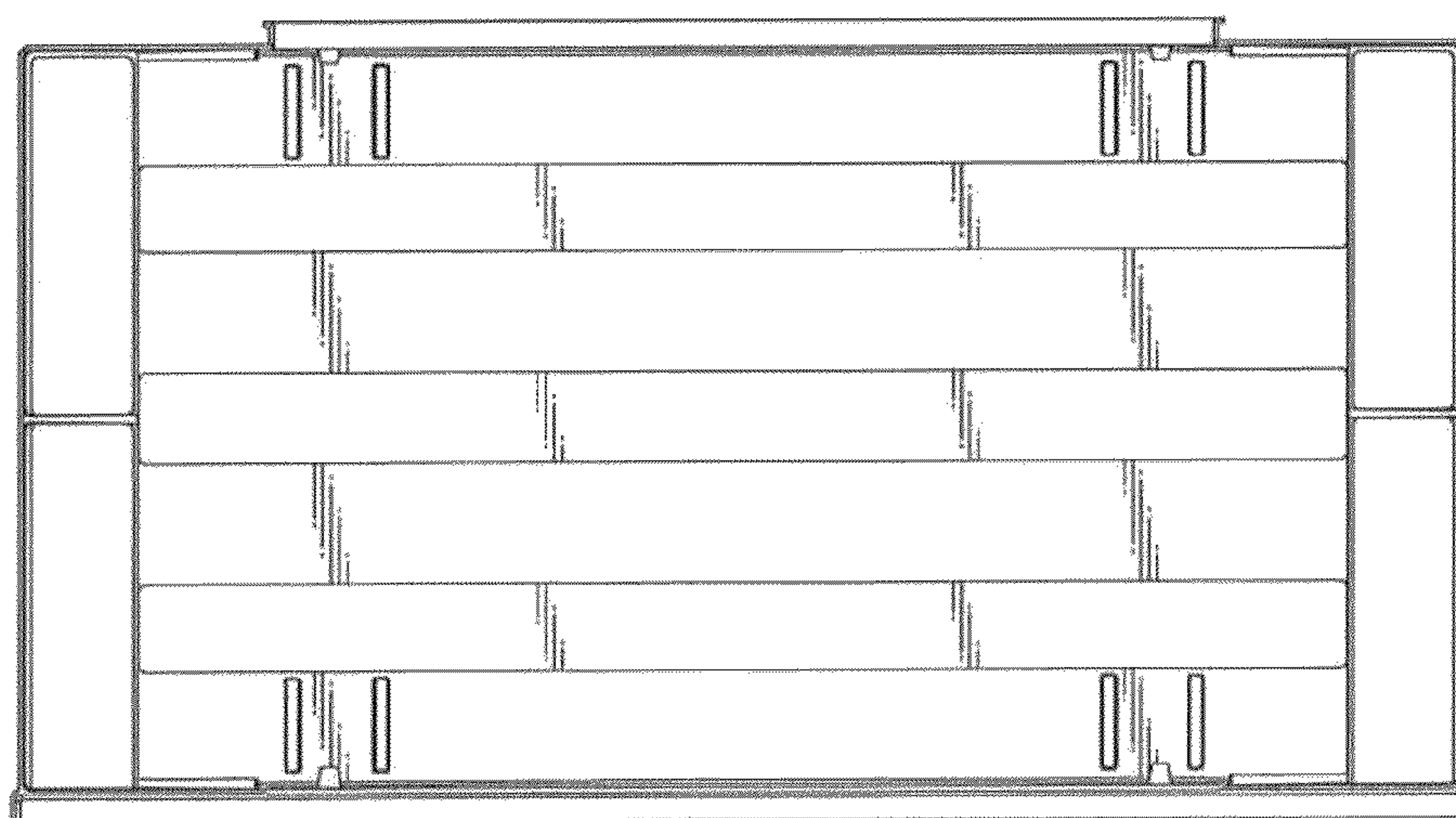


FIG. 7

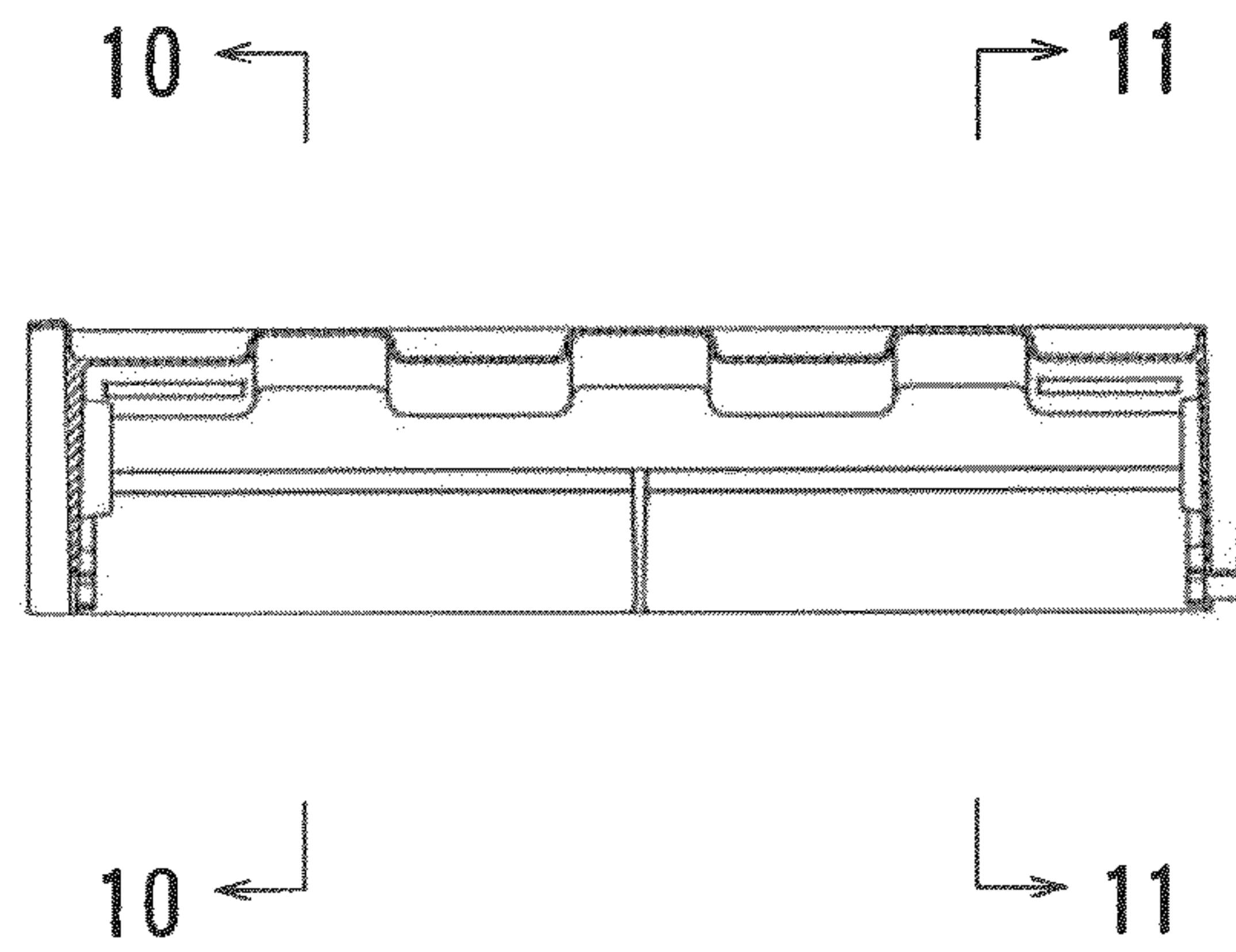


FIG. 8

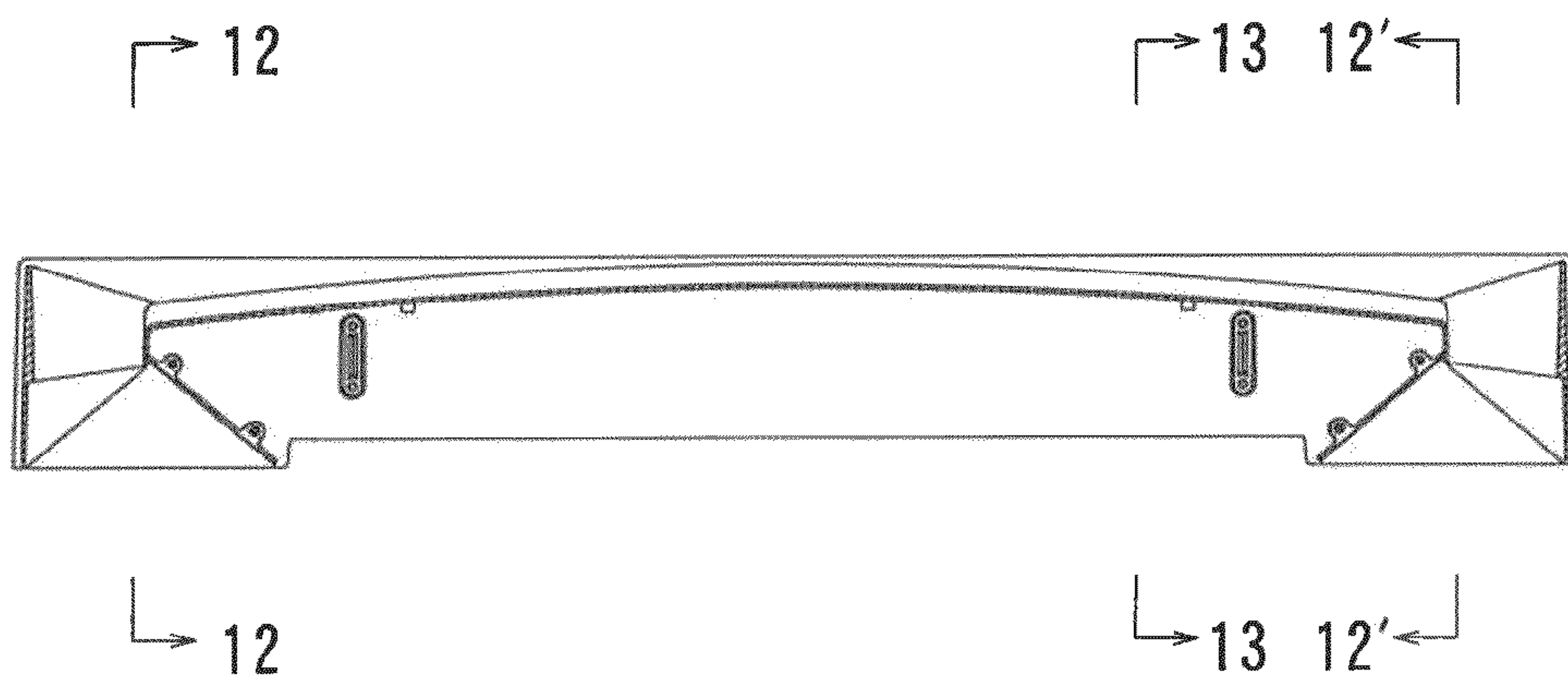


FIG. 9

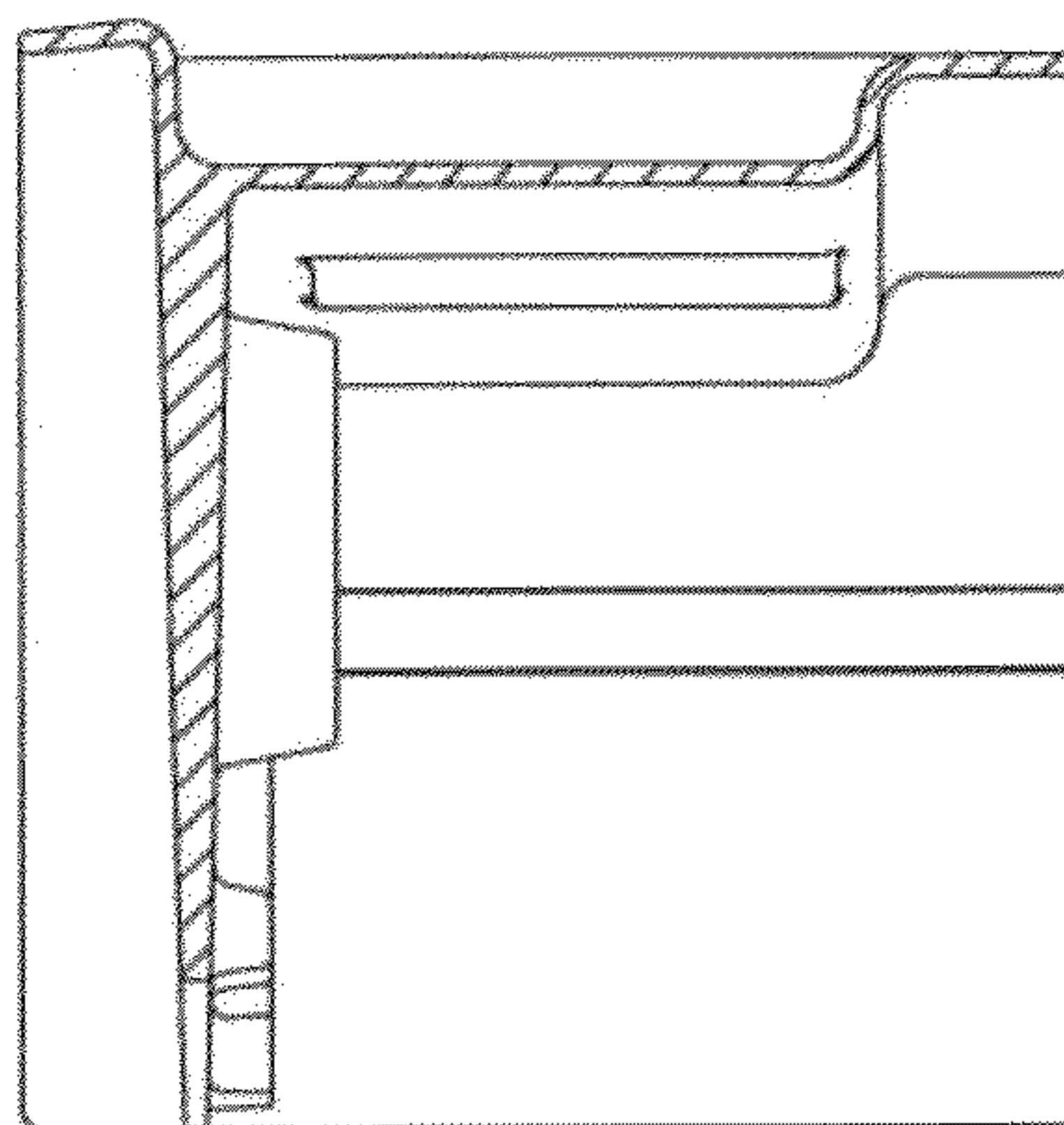


FIG. 10

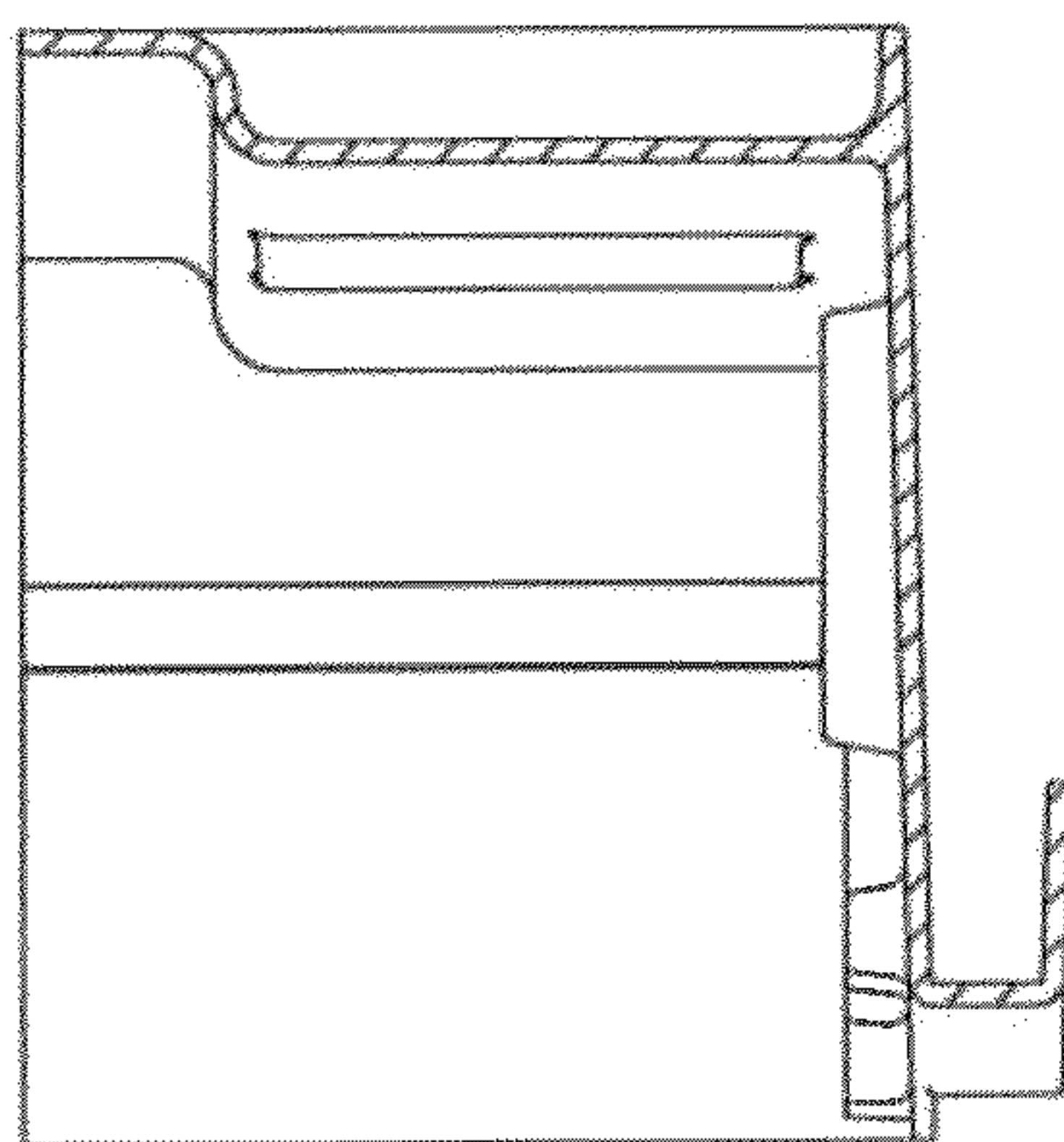


FIG. 11

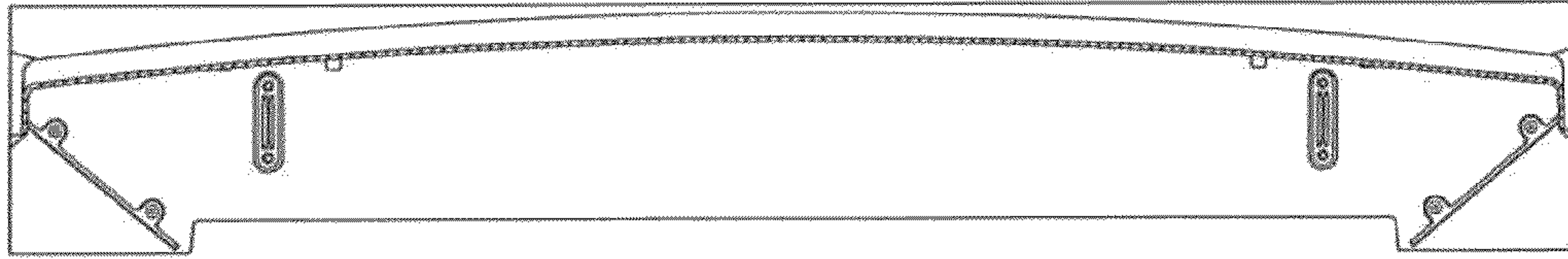


FIG. 12

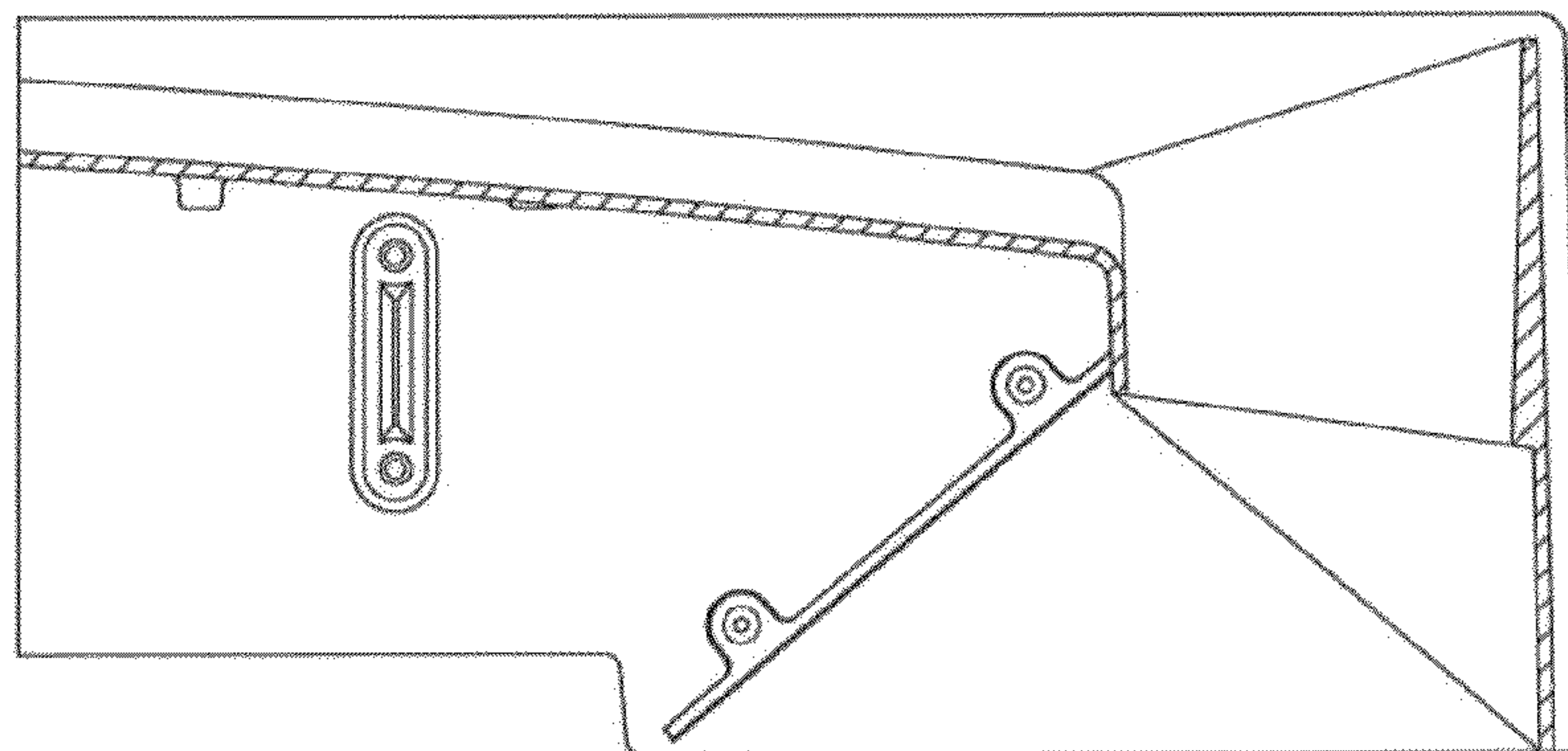


FIG. 13

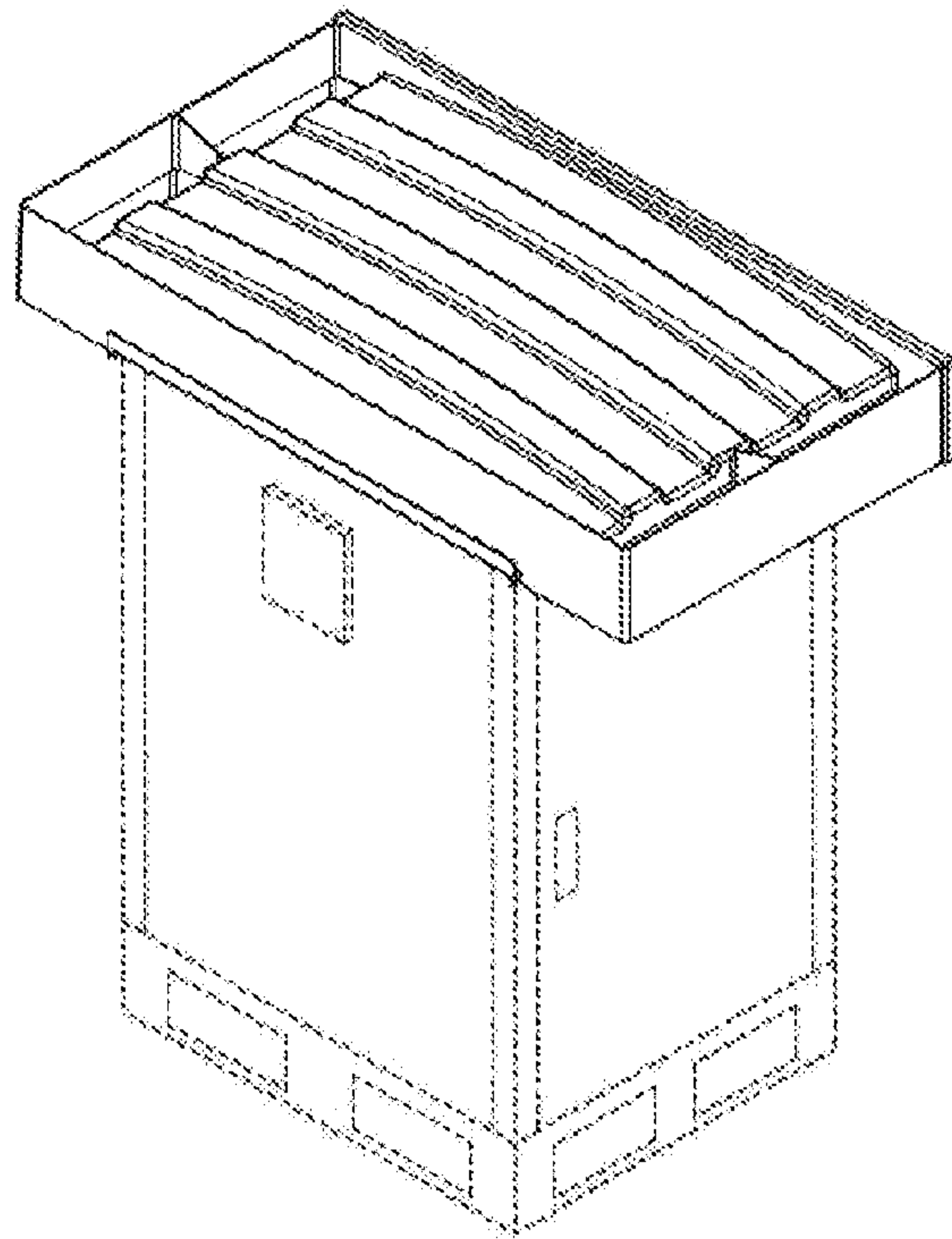


FIG. 14

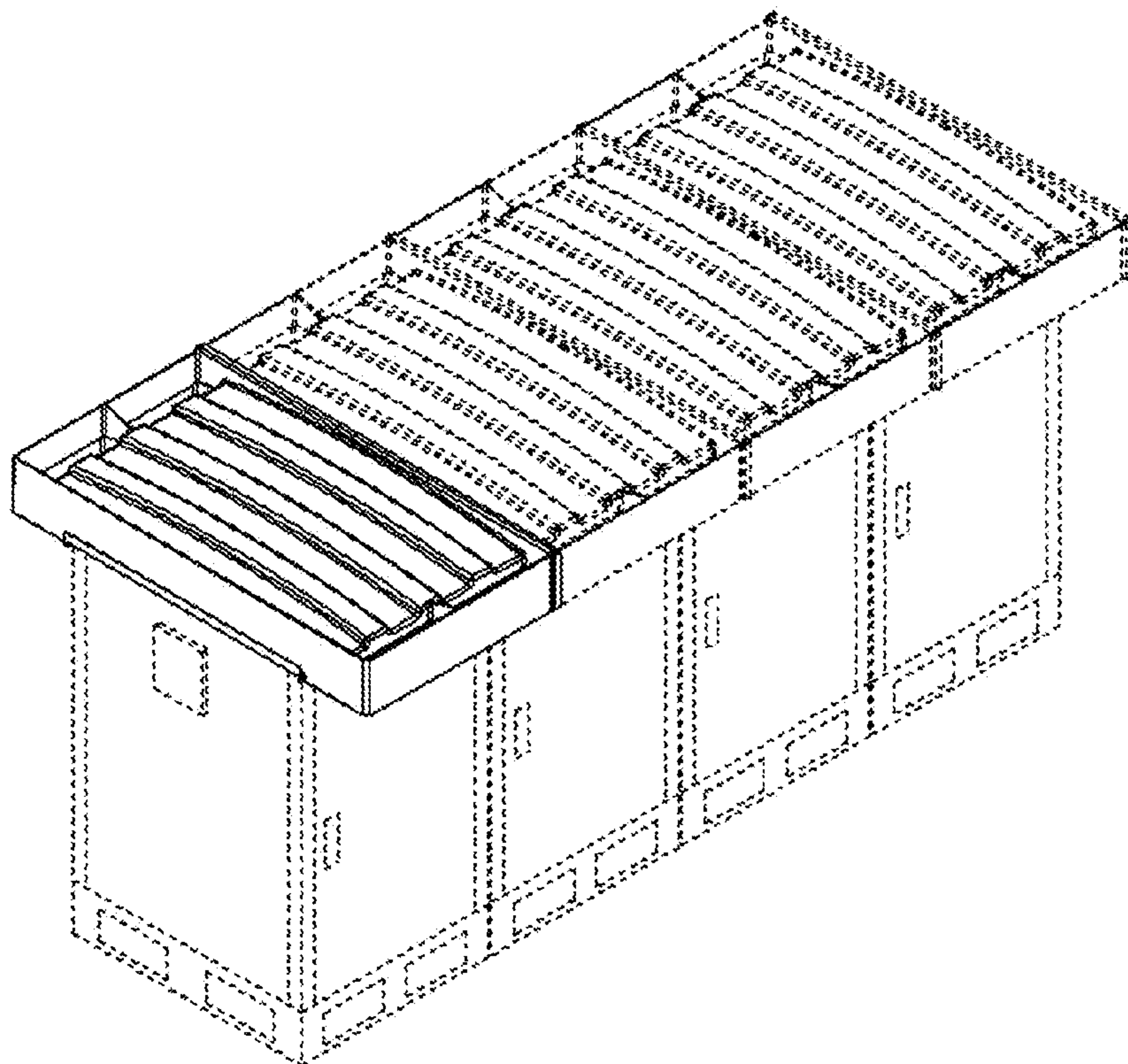


FIG. 15

UNITED STATES PATENT AND TRADEMARK OFFICE
CERTIFICATE OF CORRECTION

PATENT NO. : D746,424 S
APPLICATION NO. : 29/485599
DATED : December 29, 2015
INVENTOR(S) : Nobuhiro Takahashi et al.

Page 1 of 1

It is certified that error appears in the above-identified patent and that said Letters Patent is hereby corrected as shown below:

Title Page, item (73) the assignee information should be corrected to read as follows:

Assignee:

Rubber Co., LTD, Nagoya-City, Aichi (JP)

Signed and Sealed this
Tenth Day of May, 2016



Michelle K. Lee
Director of the United States Patent and Trademark Office

UNITED STATES PATENT AND TRADEMARK OFFICE
CERTIFICATE OF CORRECTION

PATENT NO. : D746,424 S
APPLICATION NO. : 29/485599
DATED : December 29, 2015
INVENTOR(S) : Nobuhiro Takahashi et al.

Page 1 of 1

It is certified that error appears in the above-identified patent and that said Letters Patent is hereby corrected as shown below:

Title Page, item (73) the assignee information should be corrected to read follows:

Assignee:

**Toshiba Mitsubishi-Electric Industrial System Corporation, Tokyo (JP) and
Yagyu Rubber Co., LTD, Nagoya-City, Aichi (JP)**

This certificate supersedes the Certificate of Correction issued May 10, 2016.

Signed and Sealed this
Thirtieth Day of August, 2016



Michelle K. Lee
Director of the United States Patent and Trademark Office