



US00D746422S

(12) **United States Design Patent**
Schoenherr et al.

(10) **Patent No.:** **US D746,422 S**

(45) **Date of Patent:** **** Dec. 29, 2015**

(54) **HANDSHOWER HOLDER**

6,473,916 B2 * 11/2002 Schiødt E03C 1/066
4/567

(71) Applicant: **Hansgrohe SE**, Schiltach (DE)

D622,829 S * 8/2010 Barnard D23/304
D695,880 S * 12/2013 Schoenher D23/304

(72) Inventors: **Tom Schoenherr**, Stuttgart (DE); **Marco Flaig**, Stuttgart (DE)

FOREIGN PATENT DOCUMENTS

(73) Assignee: **Hansgrohe SE**, Schiltach (DE)

CN ZL200730151131.0 8/2008
CN 302373883 3/2013
DE 49812327.8 6/1999
EM 000870241-0003 1/2008
EM 002416388-0001 3/2014

(**) Term: **14 Years**

* cited by examiner

(21) Appl. No.: **29/526,052**

(22) Filed: **May 6, 2015**

Primary Examiner — Robert Delehanty

(30) **Foreign Application Priority Data**

(74) *Attorney, Agent, or Firm* — Lora J. Graentzdoerffer

Nov. 13, 2014 (EM) 002577742-0001

(51) **LOC (10) Cl.** **23-02**

(57) **CLAIM**

(52) **U.S. Cl.**

The ornamental design for a handshower holder, as shown and described.

USPC **D23/304**

(58) **Field of Classification Search**

DESCRIPTION

USPC D23/213, 223, 228, 239, 249, 304, 283;
D8/394, 373, 380; D6/524

CPC E03C 1/06; E03C 1/066

See application file for complete search history.

FIG. 1 is a perspective view;

FIG. 2 is a front elevation view;

FIG. 3 is a rear elevation view;

FIG. 4 is a right side elevation view;

FIG. 5 is a left side elevation view;

FIG. 6 is a top plan view; and,

FIG. 7 is a bottom plan view.

The broken-line disclosure in the views represents portions of the handshower holder in which the claimed design is embodied, but which form no part of the claimed design.

(56) **References Cited**

U.S. PATENT DOCUMENTS

D256,865 S * 9/1980 Crowe D6/550

D267,582 S * 1/1983 Mackay D23/223

4,719,654 A * 1/1988 Blessing E03C 1/06
239/282

5,277,391 A * 1/1994 Haug E03C 1/066
D8/363

1 Claim, 7 Drawing Sheets

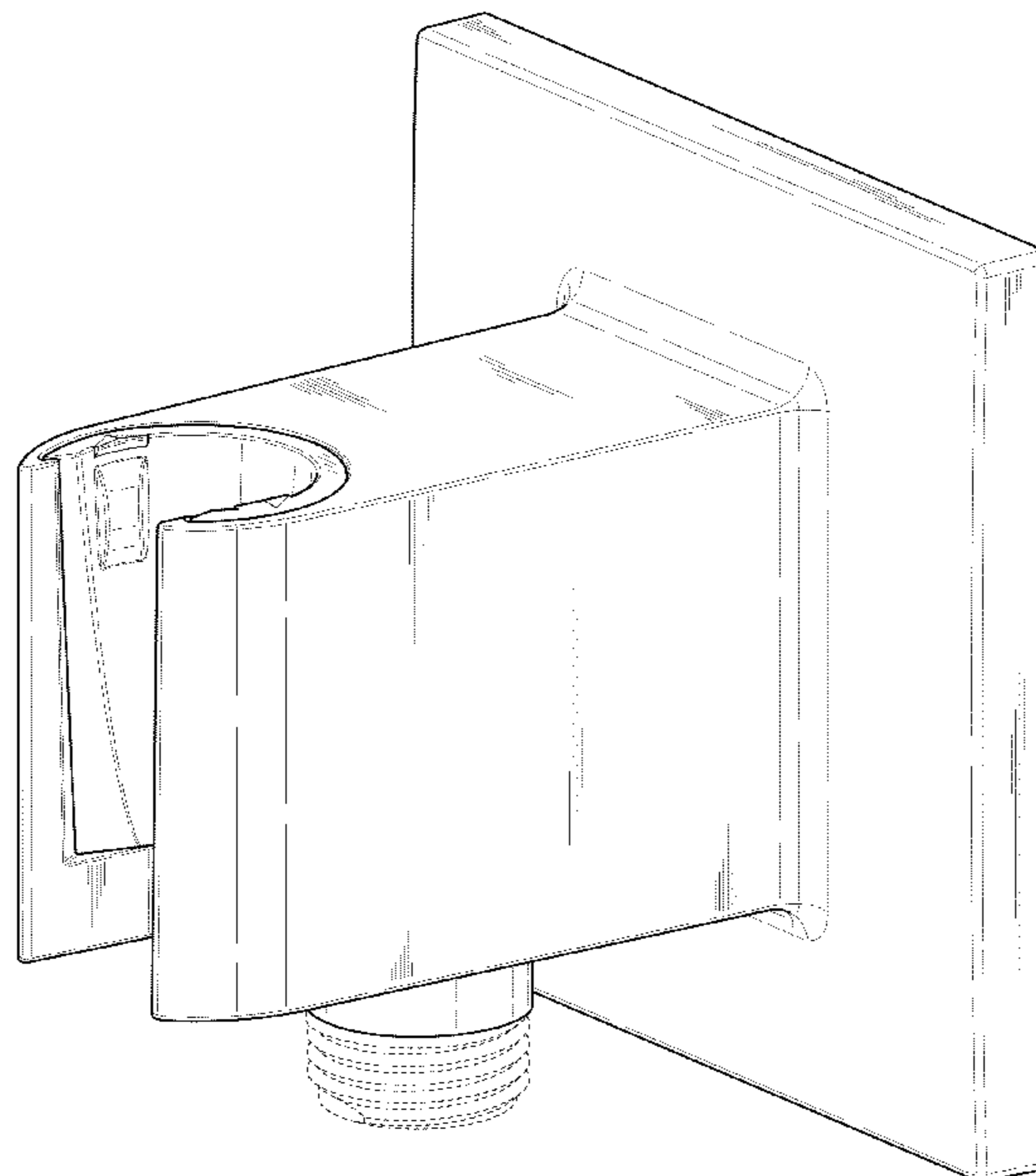


FIG. 1

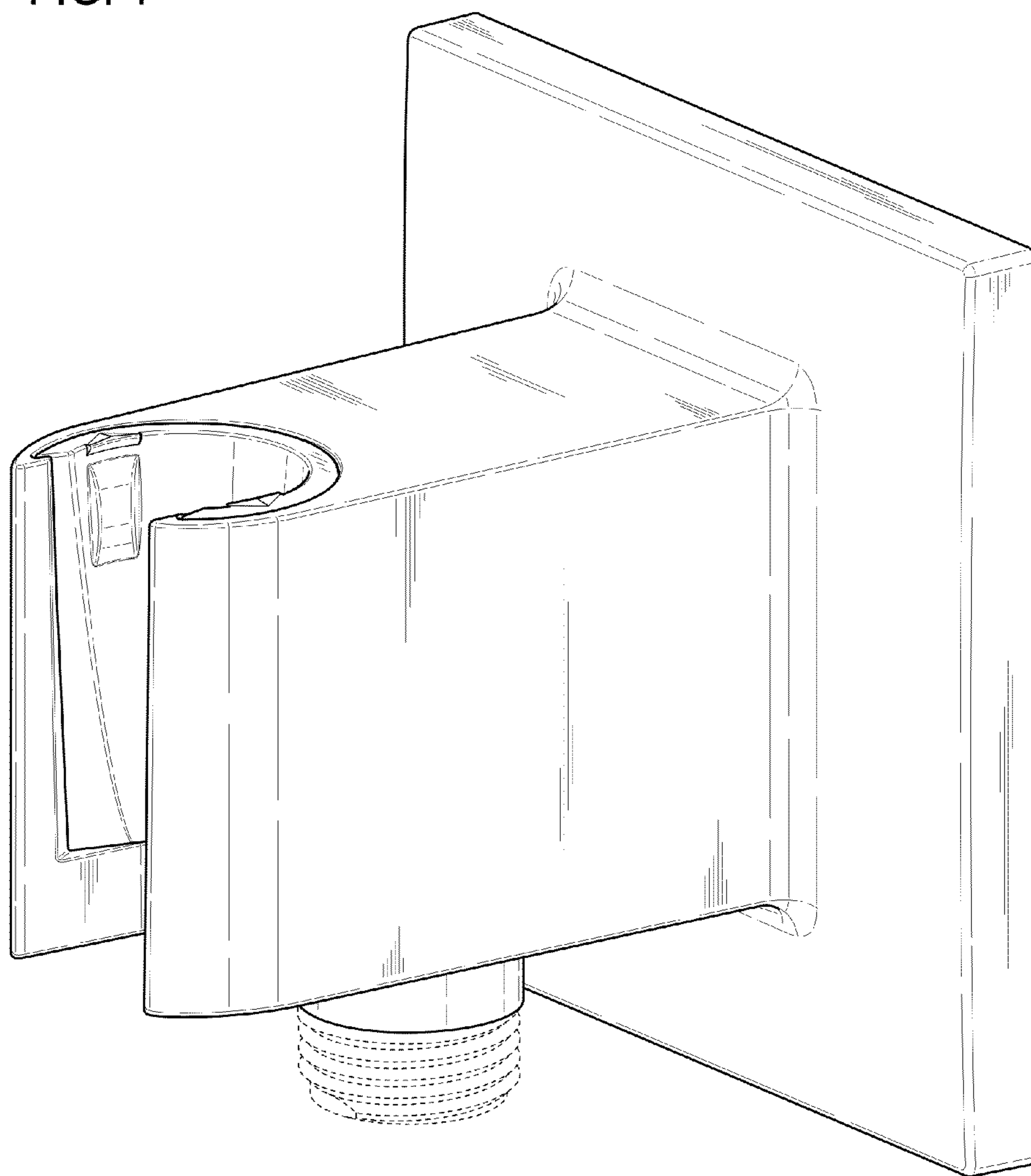


FIG. 2

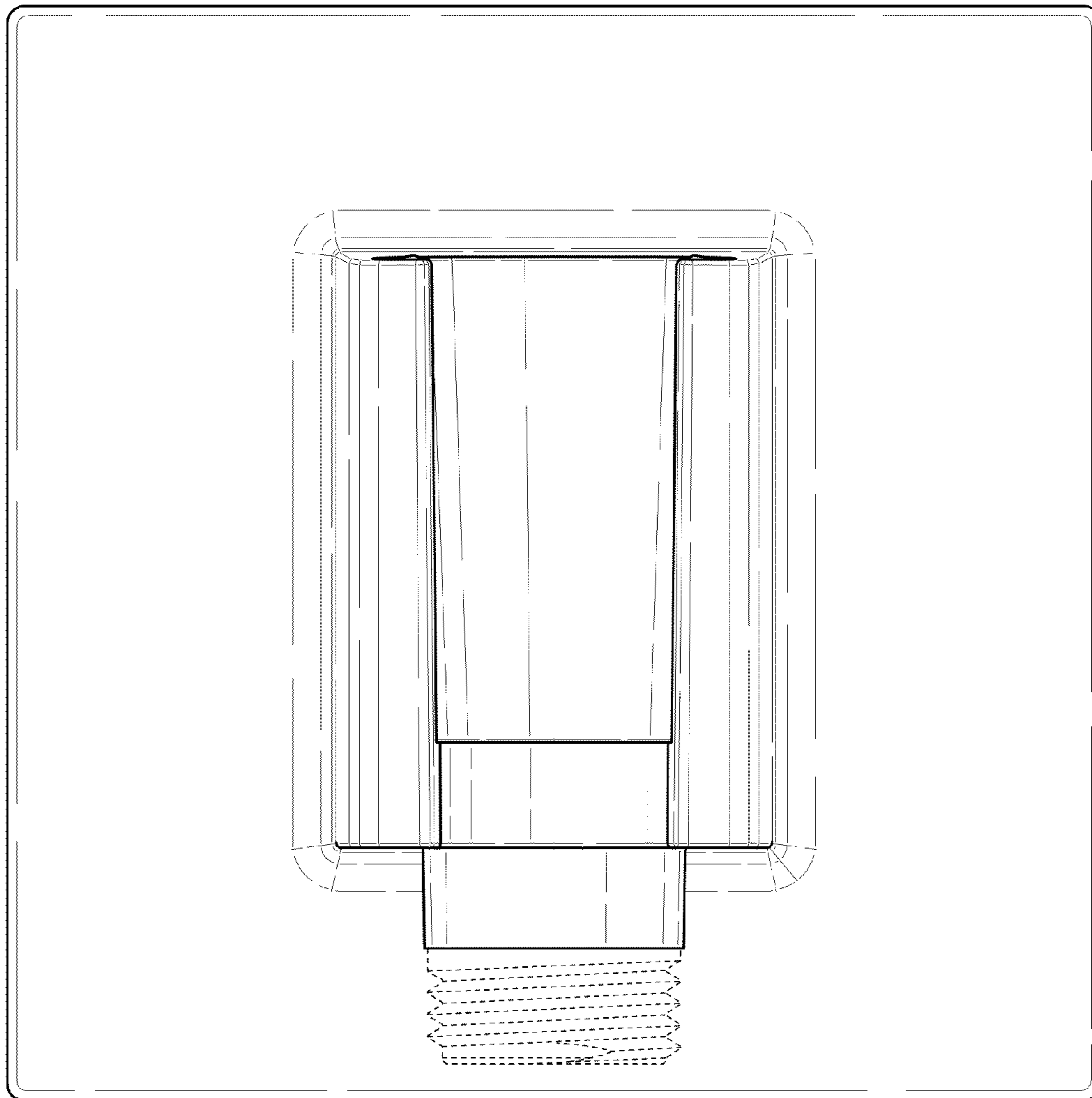


FIG. 3

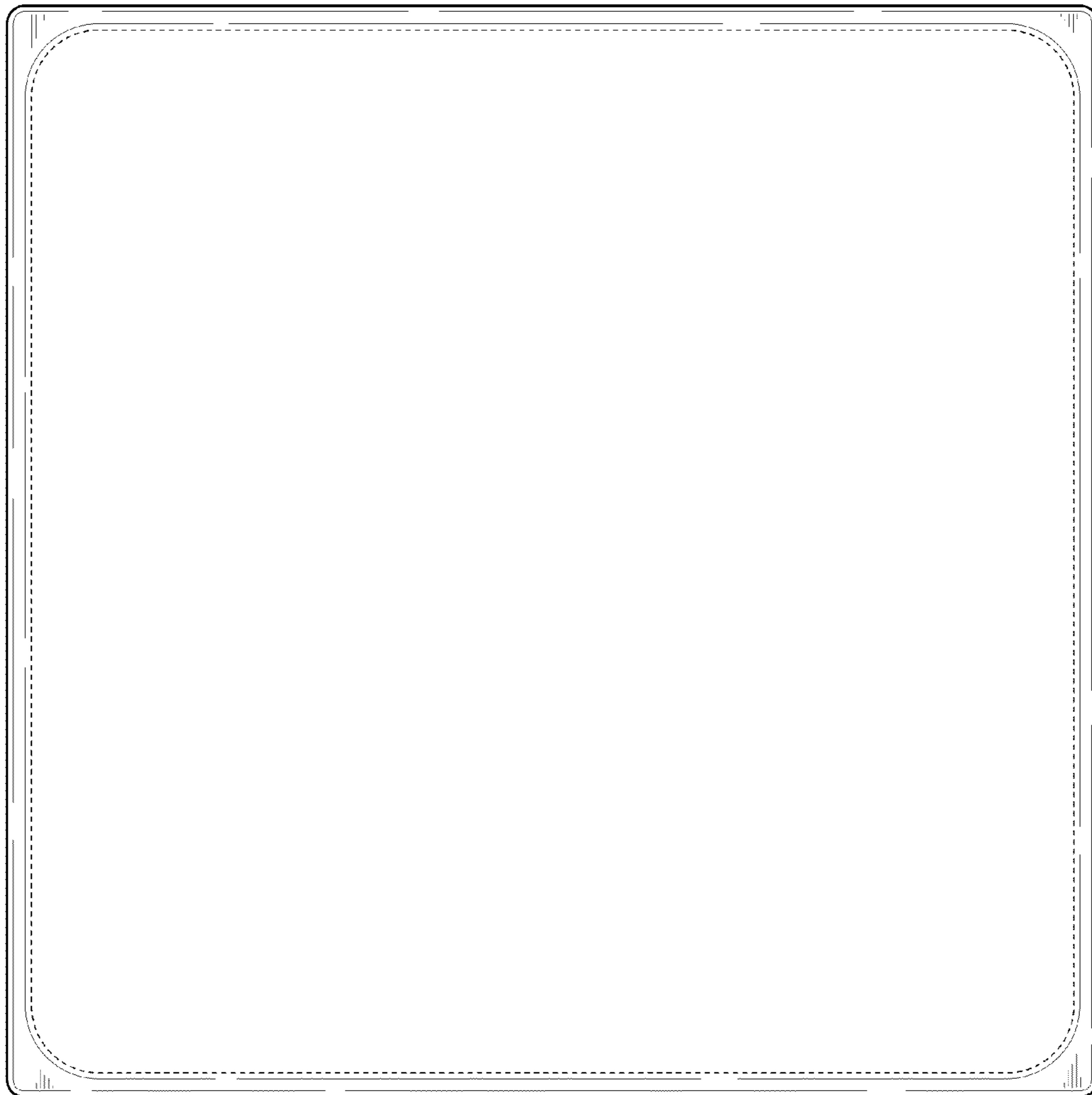


FIG. 4

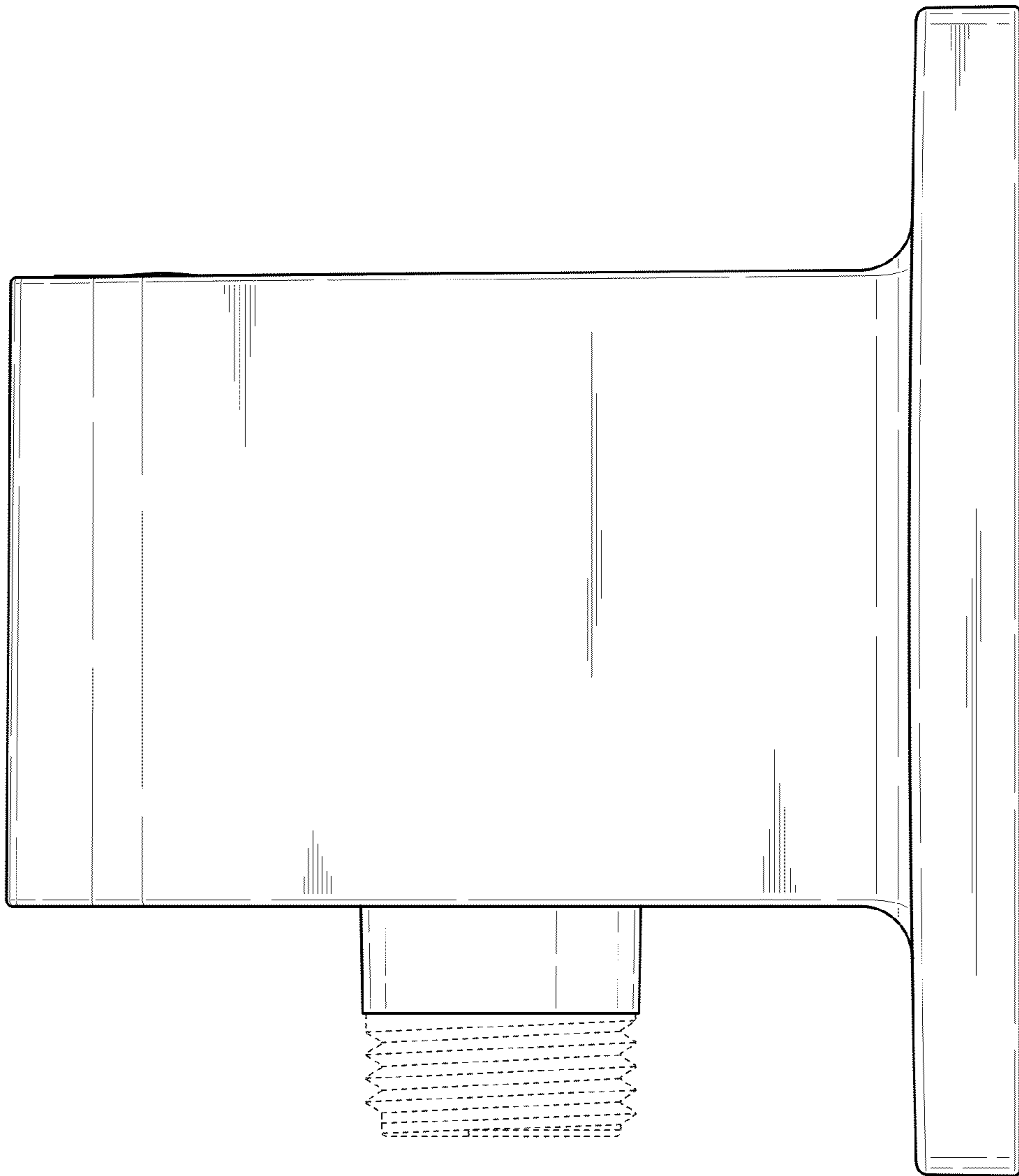


FIG. 5



FIG. 6

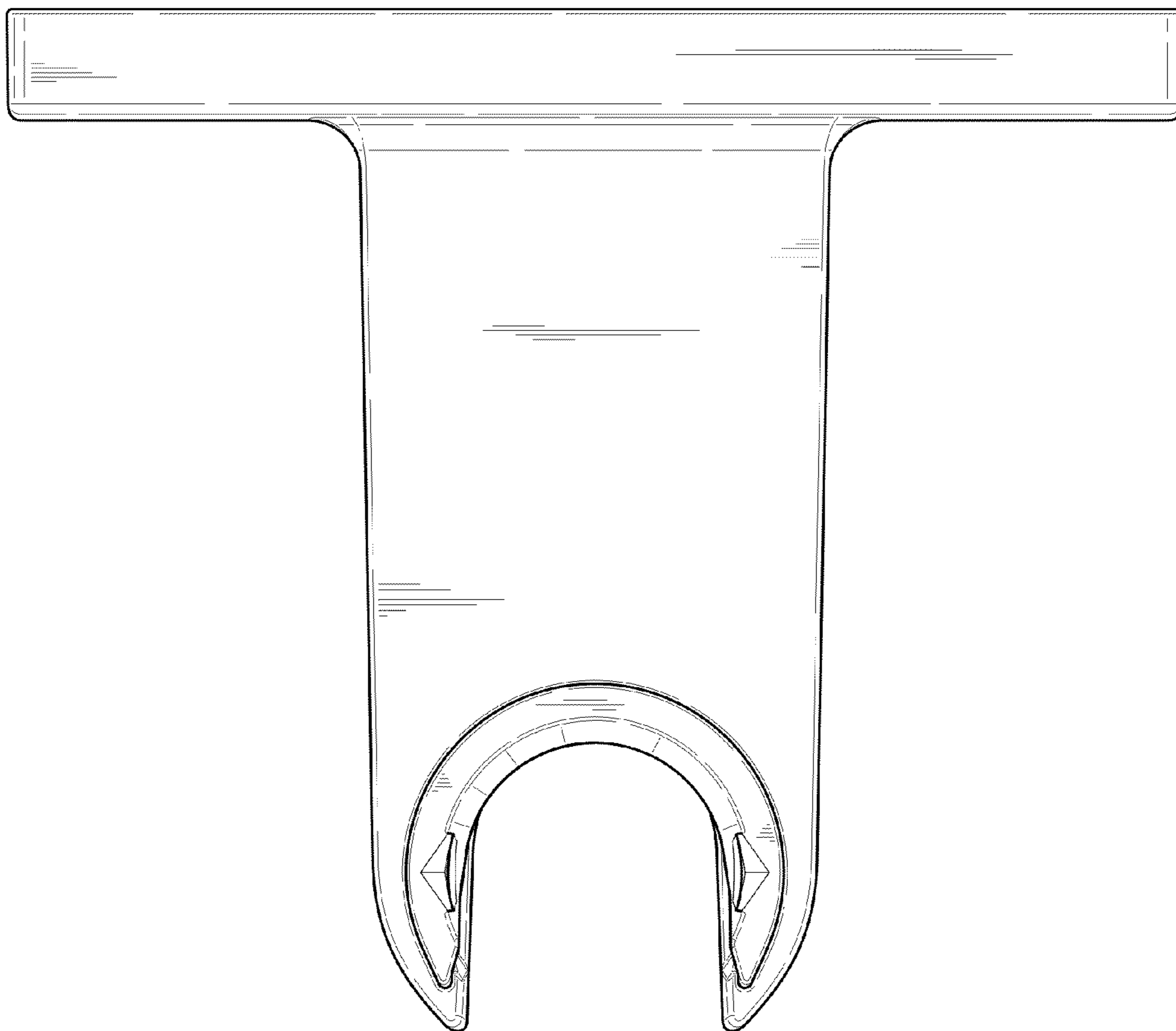


FIG. 7

