



US00D746421S

(12) **United States Design Patent**  
**Conley**

(10) **Patent No.:** **US D746,421 S**  
(45) **Date of Patent:** **\*\* Dec. 29, 2015**

- (54) **KITCHEN SINK**
- (71) Applicant: **David Yepez Conley**, Austin, TX (US)
- (72) Inventor: **David Yepez Conley**, Austin, TX (US)
- (\*\*) Term: **14 Years**
- (21) Appl. No.: **29/525,029**
- (22) Filed: **Apr. 25, 2015**

D293,813	S	1/1988	Fischer et al.	
D353,881	S	12/1994	Roach	
D355,023	S	1/1995	Kolada	
5,465,438	A	11/1995	Allman et al.	
D395,699	S	6/1998	Hundley	
6,718,568	B1	4/2004	Hensley	
D525,689	S *	7/2006	Wozniczka	D23/290
D526,392	S *	8/2006	Soulier	D23/290
D556,299	S	11/2007	Sutopo	
D585,124	S *	1/2009	Ziemann	D23/290
2002/0108172	A1	8/2002	Loch	

\* cited by examiner

**Related U.S. Application Data**

- (63) Continuation of application No. 13/072,741, filed on Mar. 27, 2011, now abandoned.
- (51) **LOC (10) Cl.** ..... **23-02**
- (52) **U.S. Cl.**  
USPC ..... **D23/290**
- (58) **Field of Classification Search**  
USPC ..... D23/290, 303, 308  
CPC ..... E03C 1/14; E03C 1/16; E03C 1/18;  
E03C 1/182  
See application file for complete search history.

*Primary Examiner* — Robert Delehanty

(74) *Attorney, Agent, or Firm* — Pierson IP, PLLC

(57) **CLAIM**

The ornamental design for a kitchen sink, as shown and described.

**DESCRIPTION**

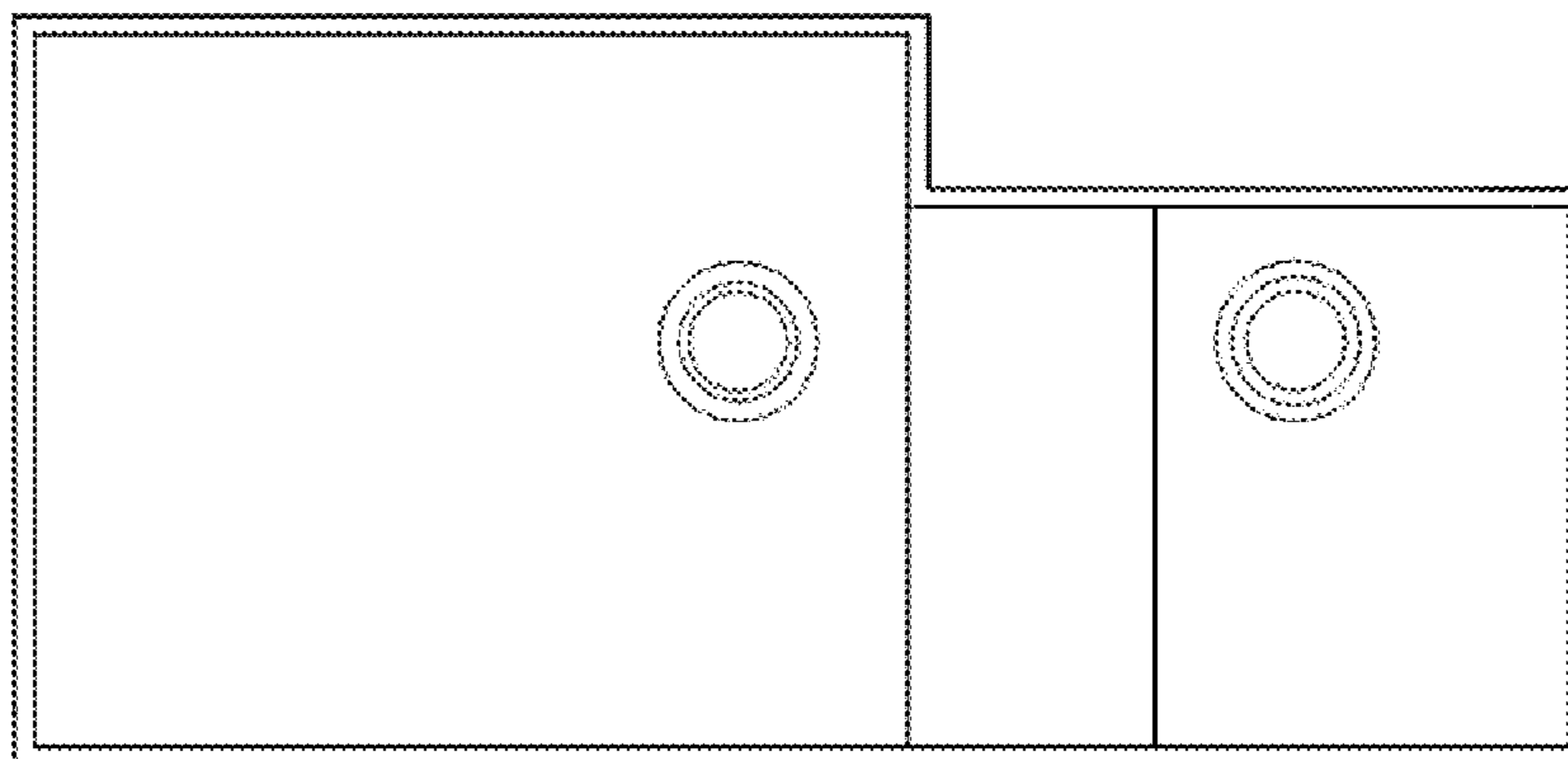
FIG. 1 is a top view of a kitchen sink showing our new design thereof;  
 FIG. 2 is a front view of the kitchen sink shown in FIG. 1;  
 FIG. 3 is a rear side view of the kitchen sink shown in FIG. 1;  
 FIG. 4 is a first side view of the kitchen sink shown in FIG. 1;  
 FIG. 5 is a second side view of the kitchen sink shown in FIG. 1;  
 FIG. 6 is a bottom view of the kitchen sink shown in FIG. 1;  
 FIG. 7 is a perspective view of the kitchen sink shown in FIG. 1; and,  
 FIG. 8 is a perspective view of the kitchen sink shown in FIG. 1.  
 Elements shown in broken lines show environmental structures of the kitchen sink and form no part of our design.

**1 Claim, 2 Drawing Sheets**

(56) **References Cited**

U.S. PATENT DOCUMENTS

2,028,802	A	1/1936	Ottoke
D114,640	S	5/1939	Morgan
D116,564	S	9/1939	Love
2,308,123	A	1/1943	Stein
2,524,204	A	10/1950	O'Brien
2,579,393	A	12/1951	Modrey
2,691,237	A	10/1954	Heim
3,108,288	A	10/1963	Herzog
D198,305	S	6/1964	Graning
3,625,162	A	12/1971	Crew



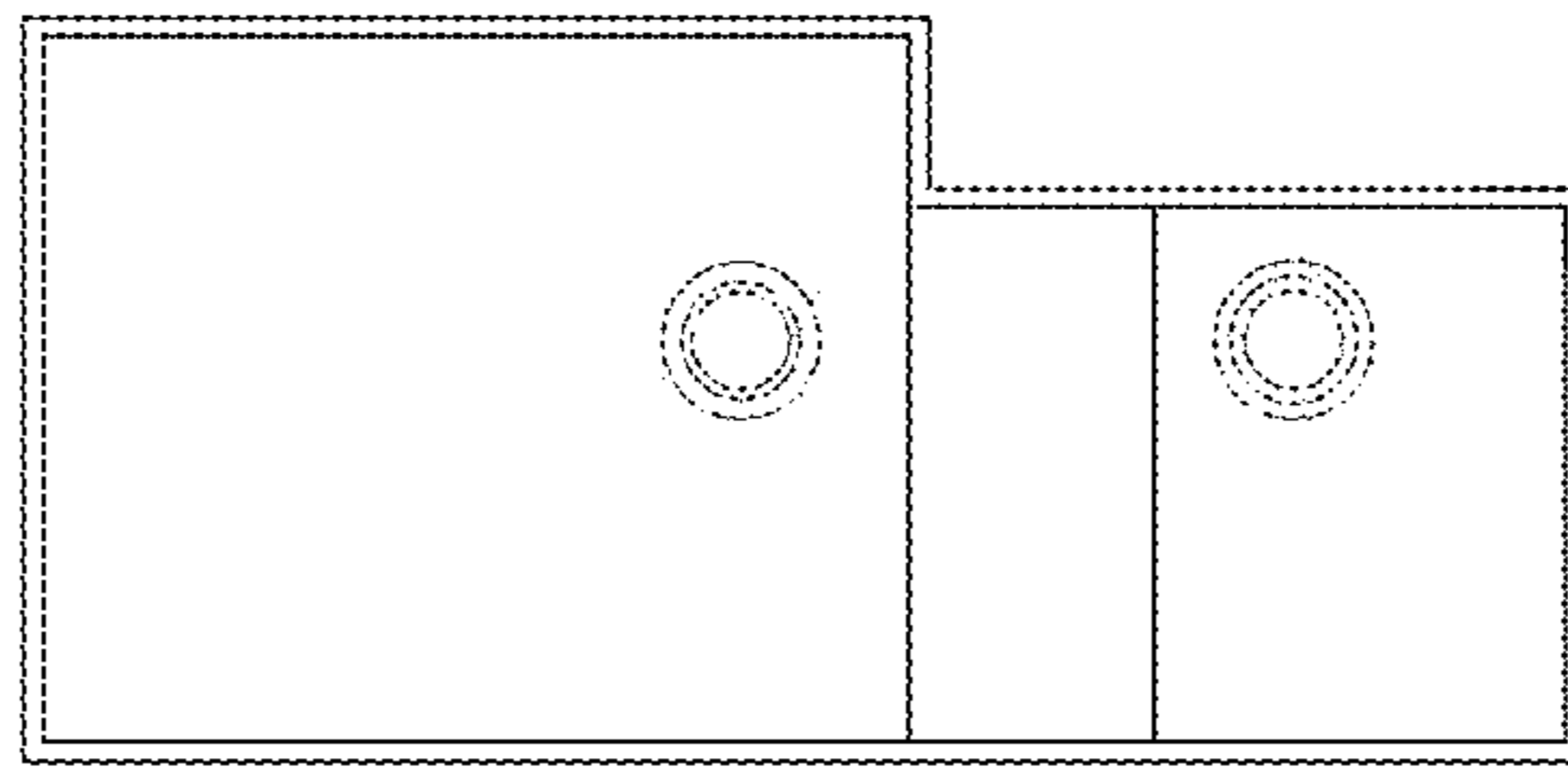


Fig. 1

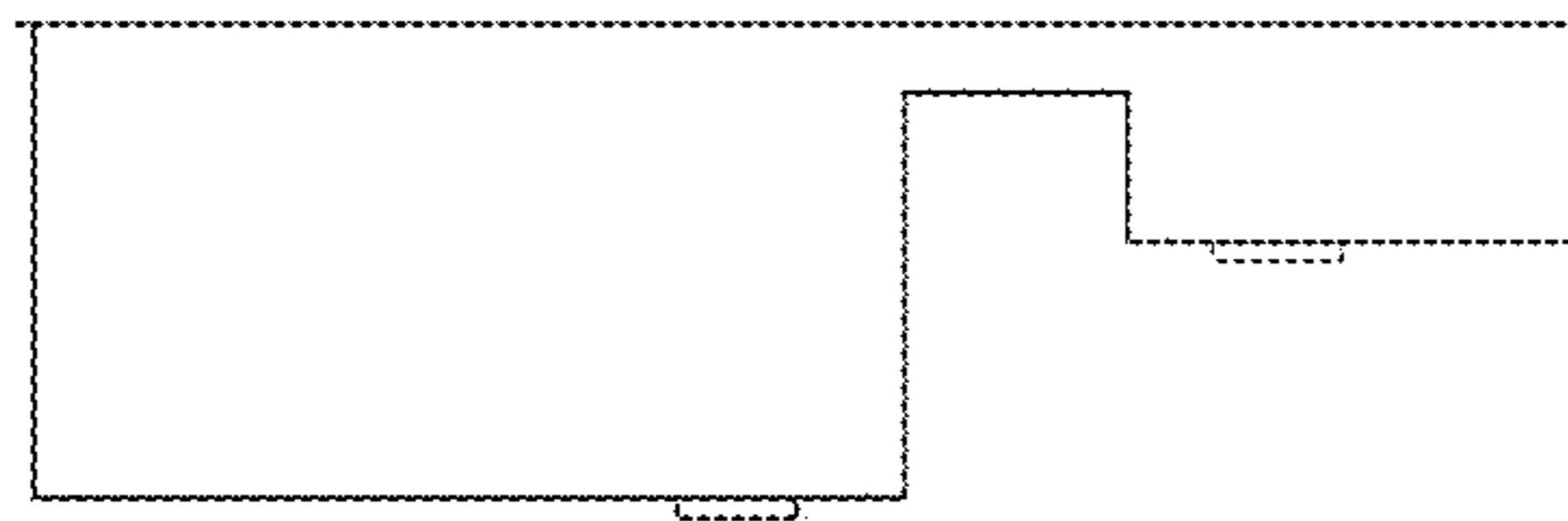


Fig. 2

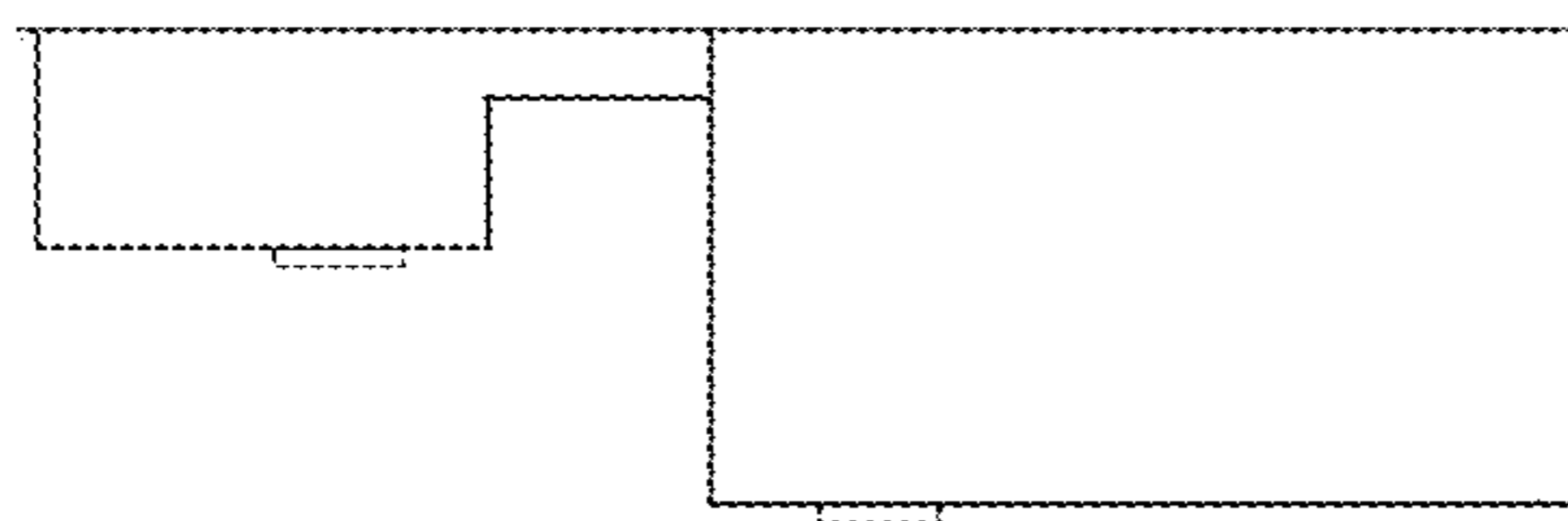


Fig. 3

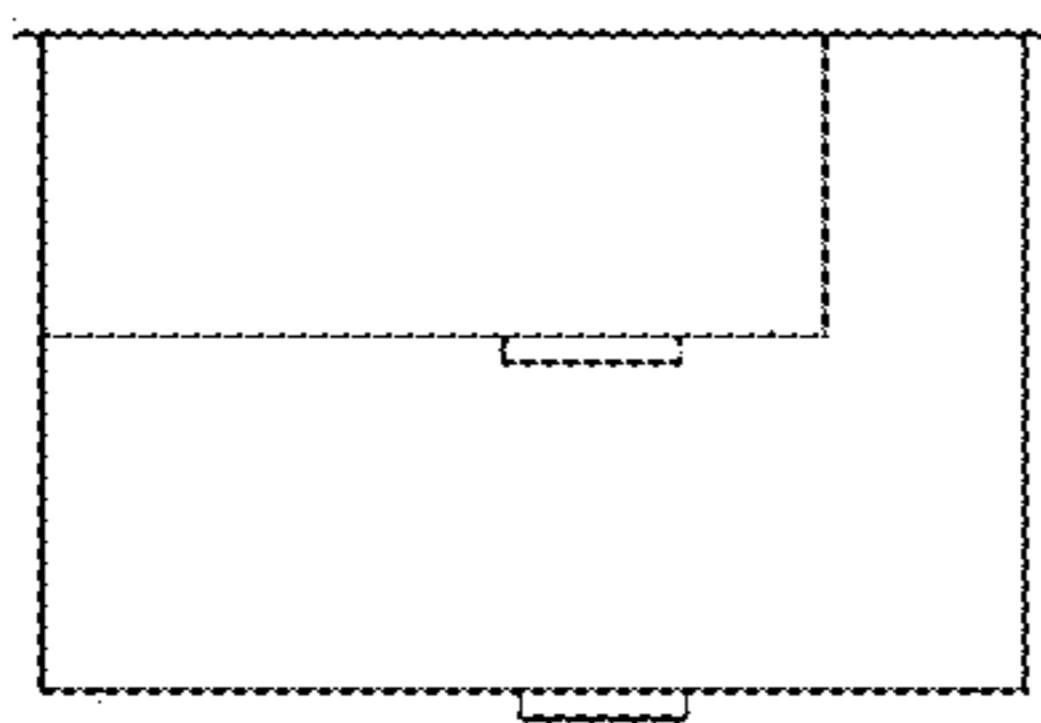


Fig. 4

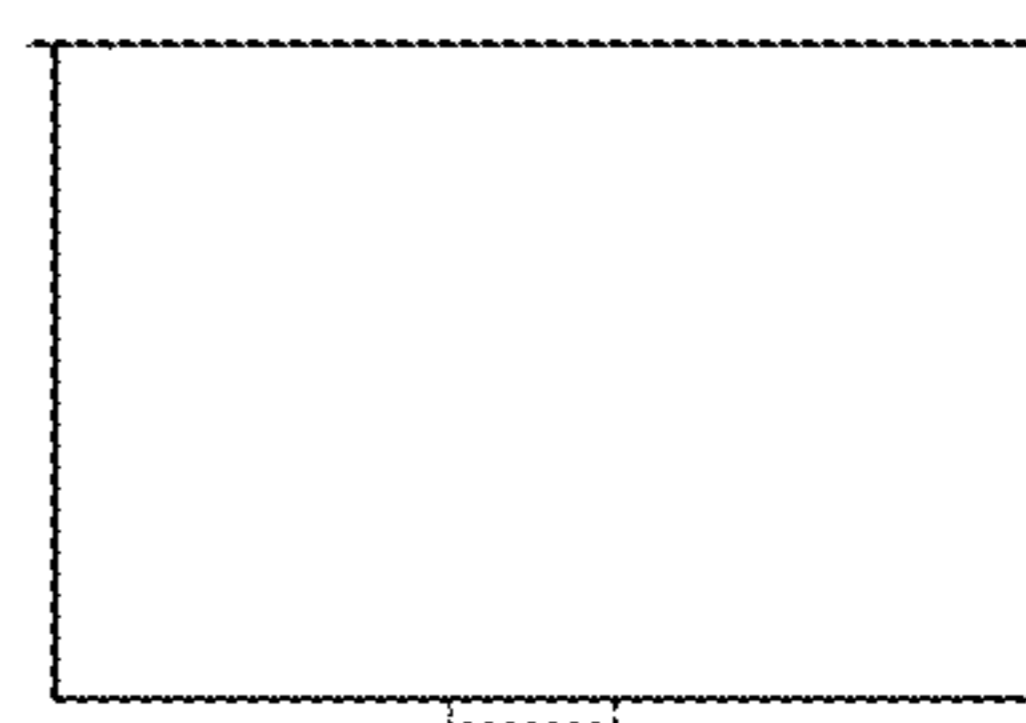


Fig. 5

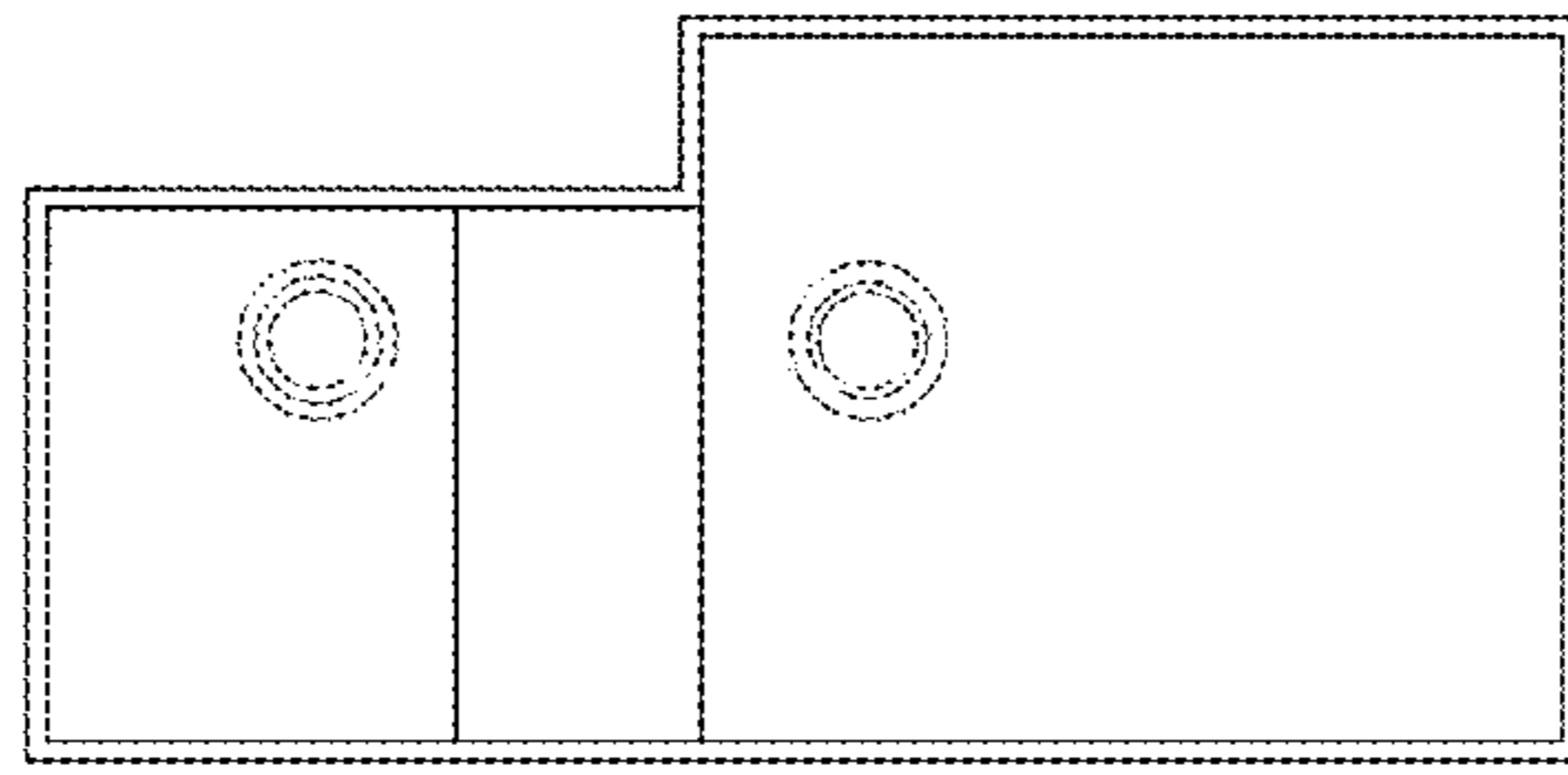


Fig. 6

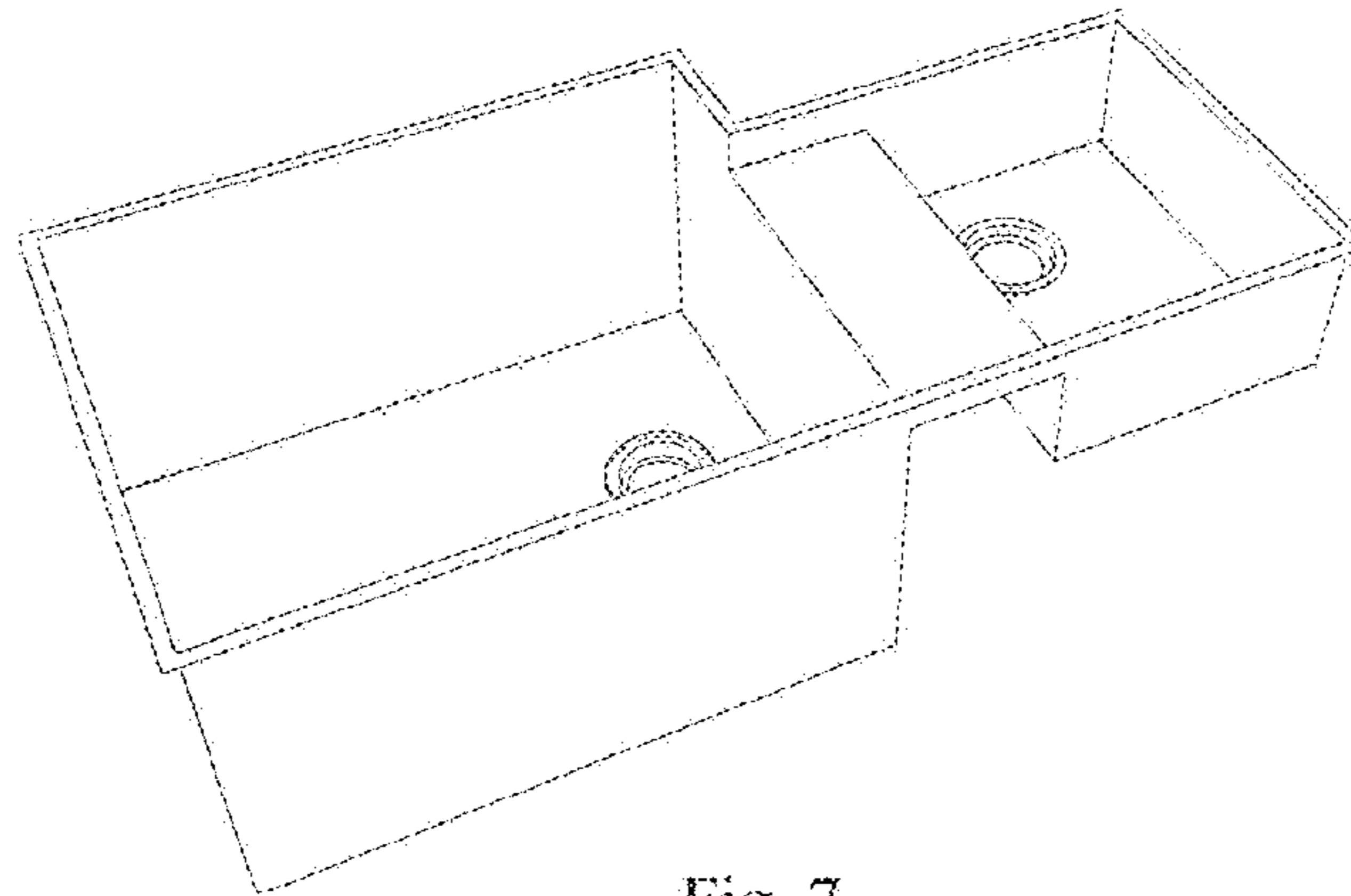


Fig. 7

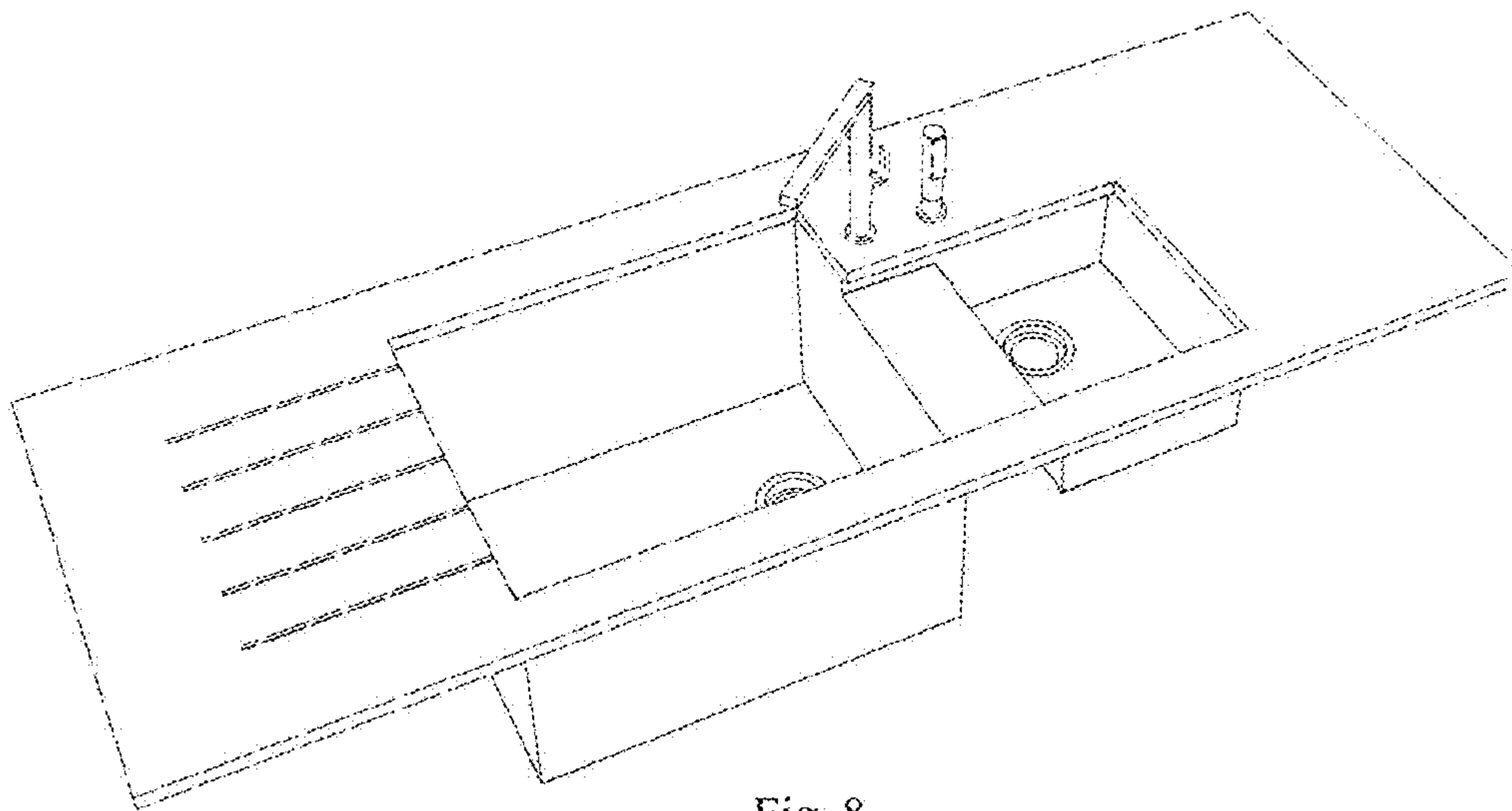


Fig. 8