



US00D746420S

(12) **United States Design Patent**
Kurth et al.

(10) **Patent No.:** **US D746,420 S**

(45) **Date of Patent:** **** Dec. 29, 2015**

(54) **DOUBLE BOWL SINK WITH DIFFERENT SIZE BOWLS**

(71) Applicant: **The Swan Corporation**, St. Louis, MO (US)

(72) Inventors: **Mark F. Kurth**, Beverly Shores, IN (US); **Timothy J. Payne**, Chicago, IL (US); **Aaron B. Eiger**, Chicago, IL (US)

(73) Assignee: **The Swan Corporation**, St. Louis, MO (US)

(**) Term: **14 Years**

(21) Appl. No.: **29/511,031**

(22) Filed: **Dec. 5, 2014**

(51) **LOC (10) Cl.** **23-02**

(52) **U.S. Cl.**
USPC **D23/290**

(58) **Field of Classification Search**
USPC D23/290, 303, 308
CPC E03C 1/00; E03C 1/01; E03C 1/02;
E03C 1/12; E03C 1/18
See application file for complete search history.

(56) **References Cited**

U.S. PATENT DOCUMENTS

D547,833 S * 7/2007 Mahon D23/290
D552,223 S 10/2007 Kurth et al.

D552,721 S 10/2007 Kurth et al.
D554,239 S 10/2007 Alger
D557,388 S 12/2007 Alger
D587,355 S * 2/2009 Taylor D23/290
2003/0204905 A1 * 11/2003 Ziemann E03C 1/18
4/639

* cited by examiner

Primary Examiner — Robert Delehanty

(74) *Attorney, Agent, or Firm* — Joseph M. Rolnicki; Evans & Dixon, L.L.C.

(57) **CLAIM**

The double bowl sink with different size bowls, as shown and described.

DESCRIPTION

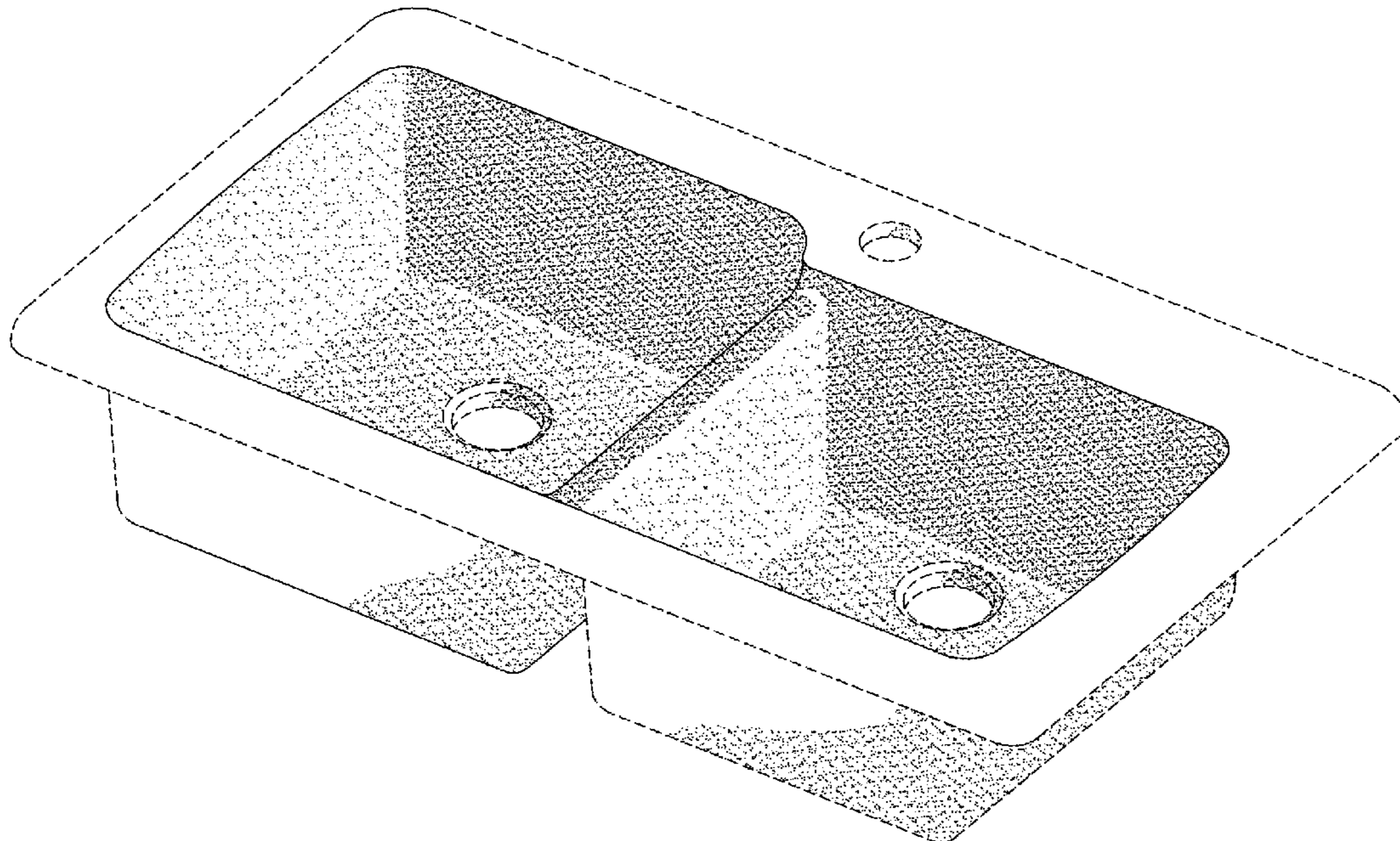
FIG. 1 is perspective view of a double bowl sink with different size bowls in accordance with the invention.

FIG. 2 is a top elevation view of the double bowl sink shown in FIG. 1; and,

FIG. 3 is a cross-section view of the double bowl sink shown in FIGS. 1 and 2 and is taken along the line 3-3 shown in FIG. 2.

Broken lines shown in the drawings are environment and do not form part of the claimed design. The broken lines adjacent to the shaded area of the double bowl sink define the bounds of the claimed design and form no part thereof.

1 Claim, 3 Drawing Sheets



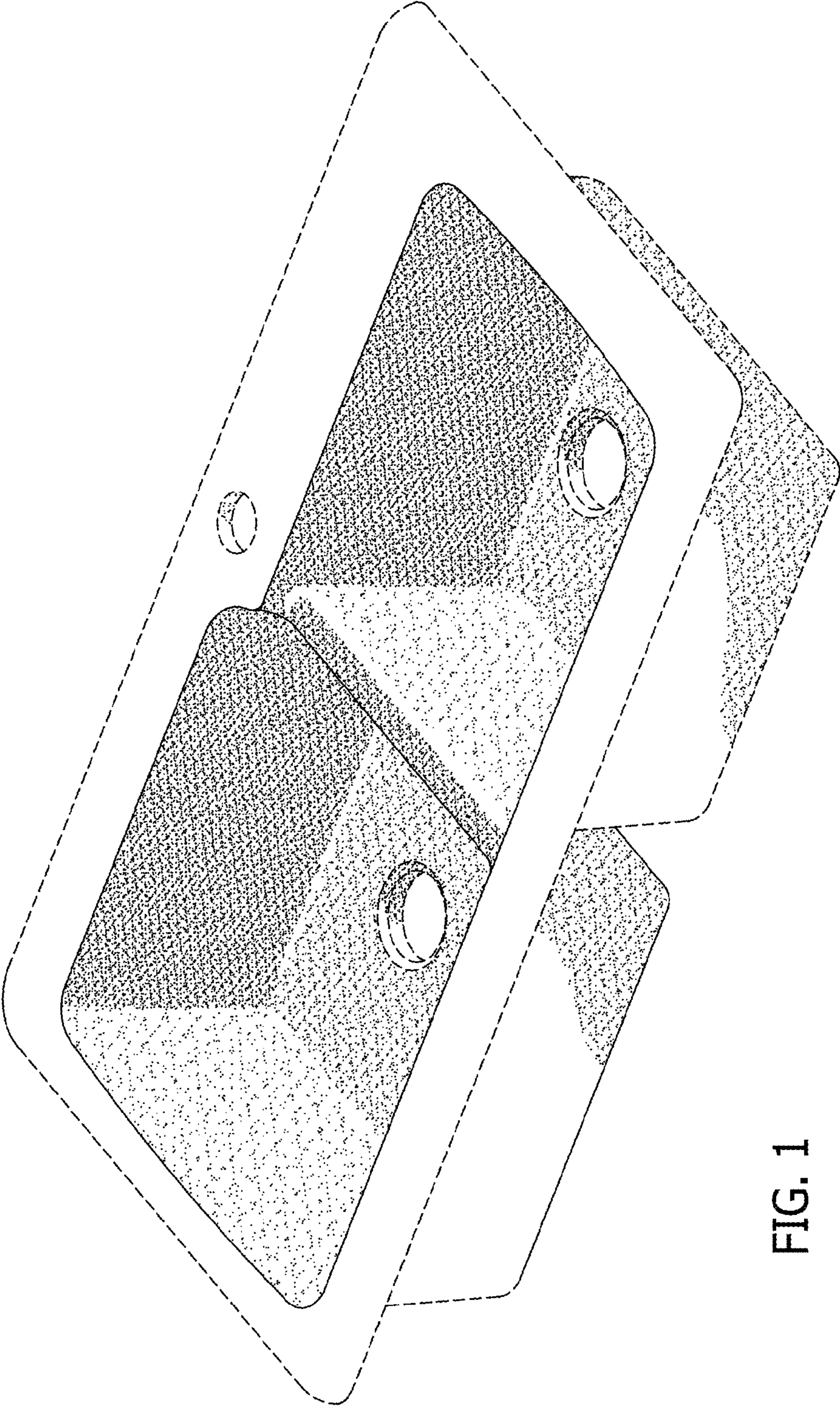


FIG. 1

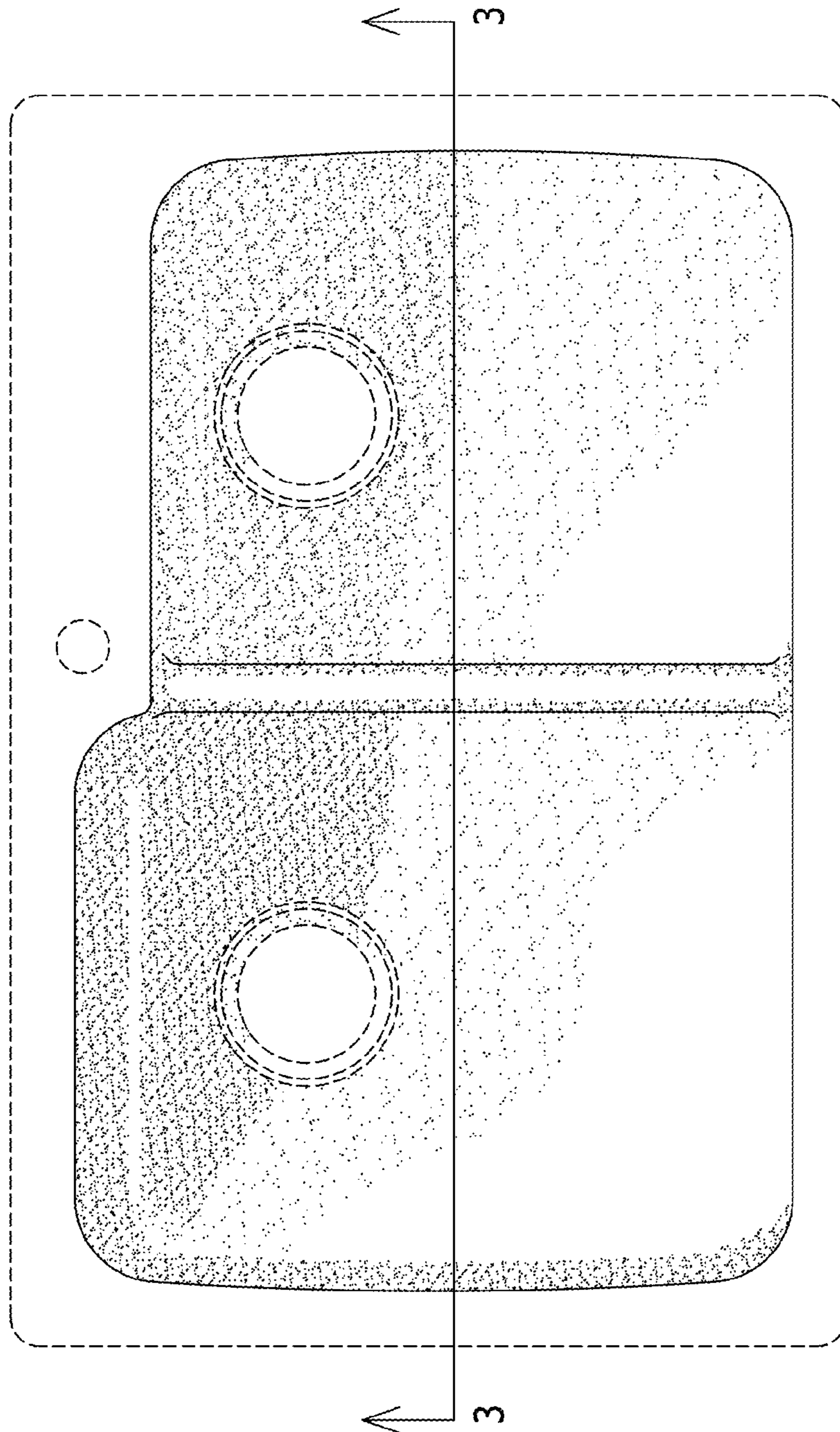


FIG. 2

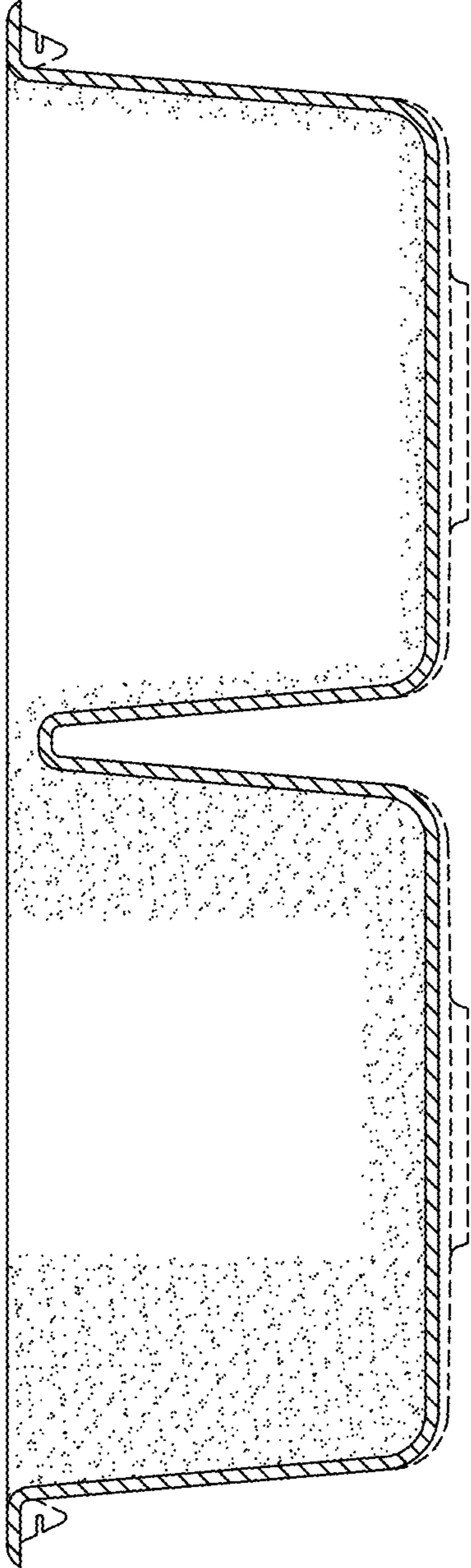


FIG. 3