



US00D746419S

(12) **United States Design Patent**  
**Kurth et al.**

(10) **Patent No.:** **US D746,419 S**

(45) **Date of Patent:** **\*\* Dec. 29, 2015**

(54) **DOUBLE BOWL SINK WITH ARCED BOWL BACK WALLS**

(71) Applicant: **The Swan Corporation**, St. Louis, MO (US)

(72) Inventors: **Mark F. Kurth**, Beverly Shores, IN (US); **Timothy J. Payne**, Chicago, IL (US); **Aaron B. Eiger**, Chicago, IL (US)

(73) Assignee: **The Swan Corporation**, St. Louis, MO (US)

(\*\*) Term: **14 Years**

(21) Appl. No.: **29/511,028**

(22) Filed: **Dec. 5, 2014**

(51) **LOC (10) Cl.** ..... **23-02**

(52) **U.S. Cl.**  
USPC ..... **D23/290**

(58) **Field of Classification Search**  
USPC ..... D23/290, 303, 308  
CPC ..... E03C 1/00; E03C 1/01; E03C 1/02;  
E03C 1/12; E03C 1/18  
See application file for complete search history.

(56) **References Cited**

**U.S. PATENT DOCUMENTS**

D482,106 S \* 11/2003 Ziemann ..... D23/290  
D486,566 S \* 2/2004 Ziemann ..... D23/290

D495,037 S \* 8/2004 Ziemann ..... D23/290  
D526,056 S \* 8/2006 Arnold ..... D23/290  
D547,833 S \* 7/2007 Mahon ..... D23/290  
D552,223 S 10/2007 Kurth et al.  
D552,721 S 10/2007 Kurth et al.  
D554,239 S 10/2007 Alger  
D557,388 S 12/2007 Alger  
2003/0204905 A1 \* 11/2003 Ziemann ..... E03C 1/18  
4/639

\* cited by examiner

*Primary Examiner* — Robert Delehanty

(74) *Attorney, Agent, or Firm* — Joseph M. Rolnicki; Evans & Dixon, L.L.C.

(57) **CLAIM**

The double bowl sink with arced bowl back walls, as shown and described.

**DESCRIPTION**

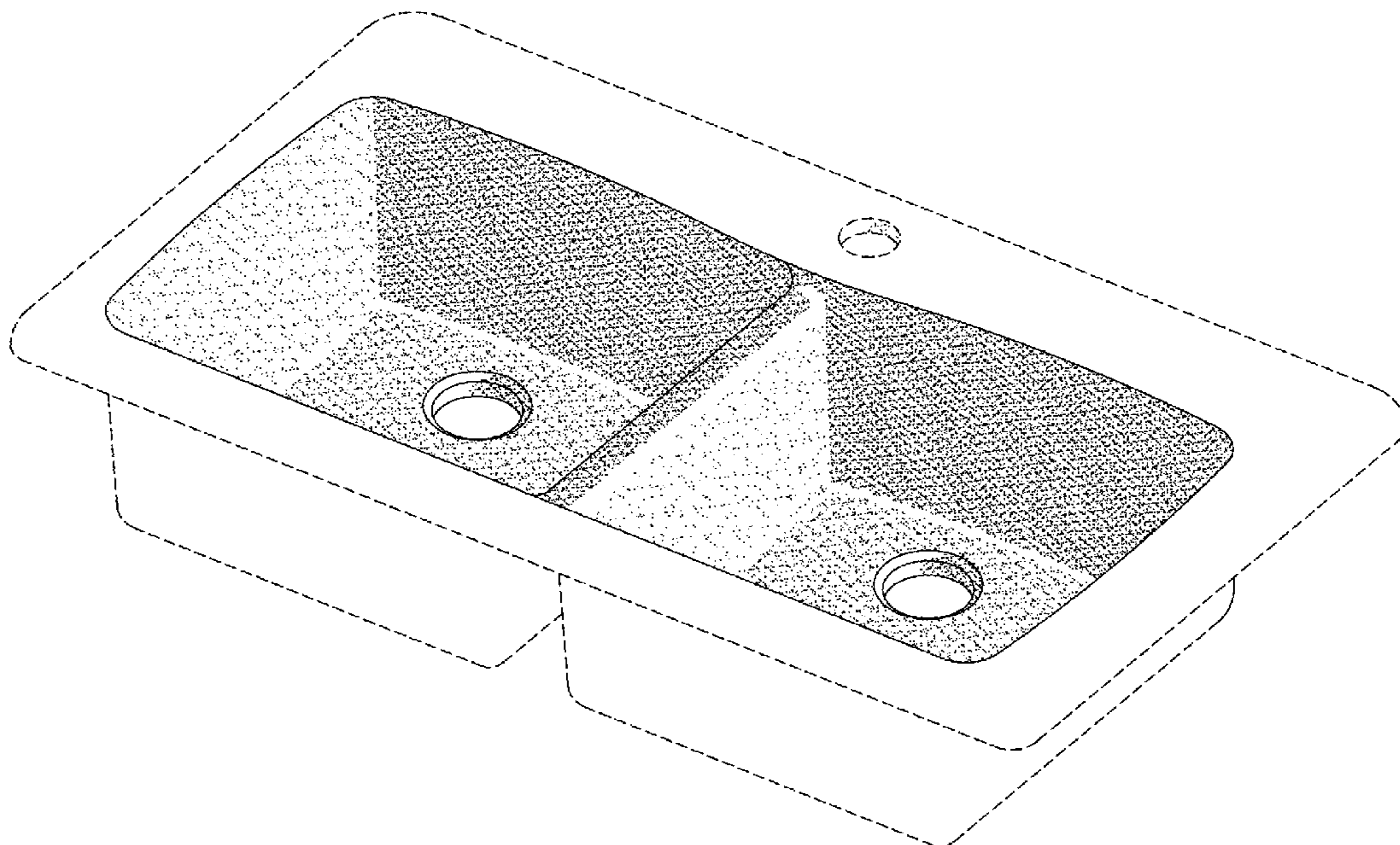
FIG. 1 is perspective view of a double bowl sink with arced bowl back walls in accordance with the invention.

FIG. 2 is a top elevation view of the double bowl sink shown in FIG. 1; and,

FIG. 3 is a cross-section view of the double bowl sink shown in FIGS. 1 and 2 and is taken along the line 3-3 shown in FIG. 2.

Broken lines shown in the drawings are environment and do not form part of the claimed design. The broken lines adjacent to the shaded area of the double bowl sink define the bounds of the claimed design and form no part thereof.

**1 Claim, 3 Drawing Sheets**



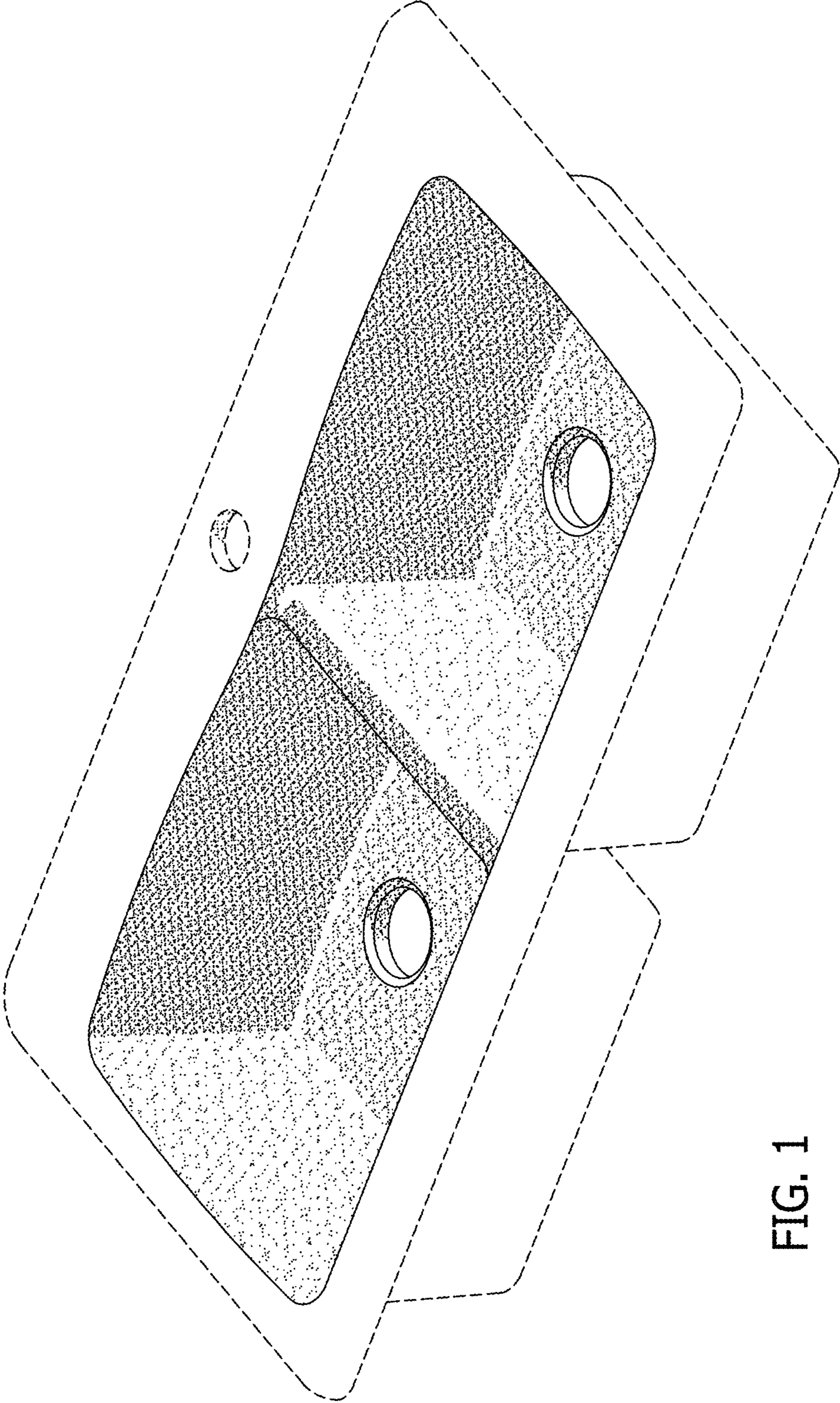


FIG. 1

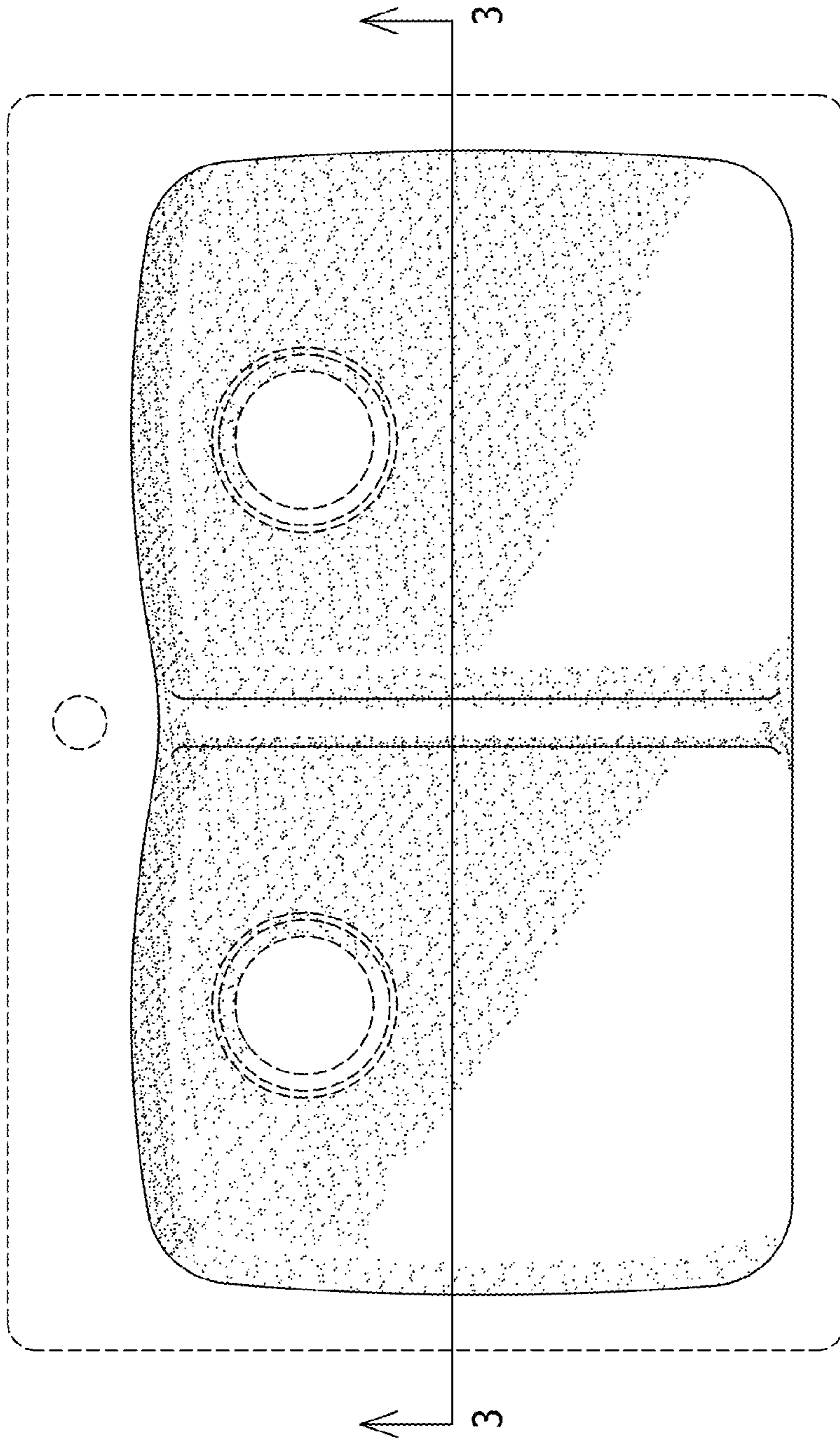


FIG. 2

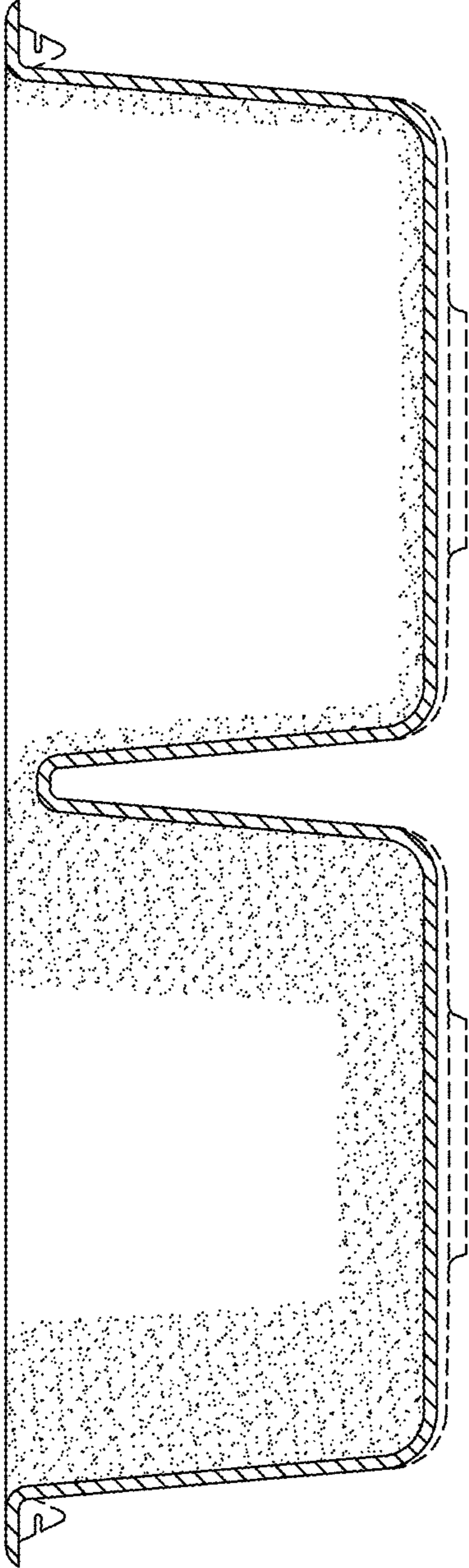


FIG. 3